

5

6

7

8

9



I B @GGC H: 9FK -G9 CD97 ÷ 98.
 8 A 9BGC BG5F9 B A @A 9HFG
 K 9< <H5F9 B ? @C ; F5A A "

D5FHB I A 69F #8K ; 'BC".
 €DG\$%

	B5A 9	C: B5H F9	85H9	F9J GCB
8F5K B	ÜB[(]		'\$- "&\$%	
5DDJ B				

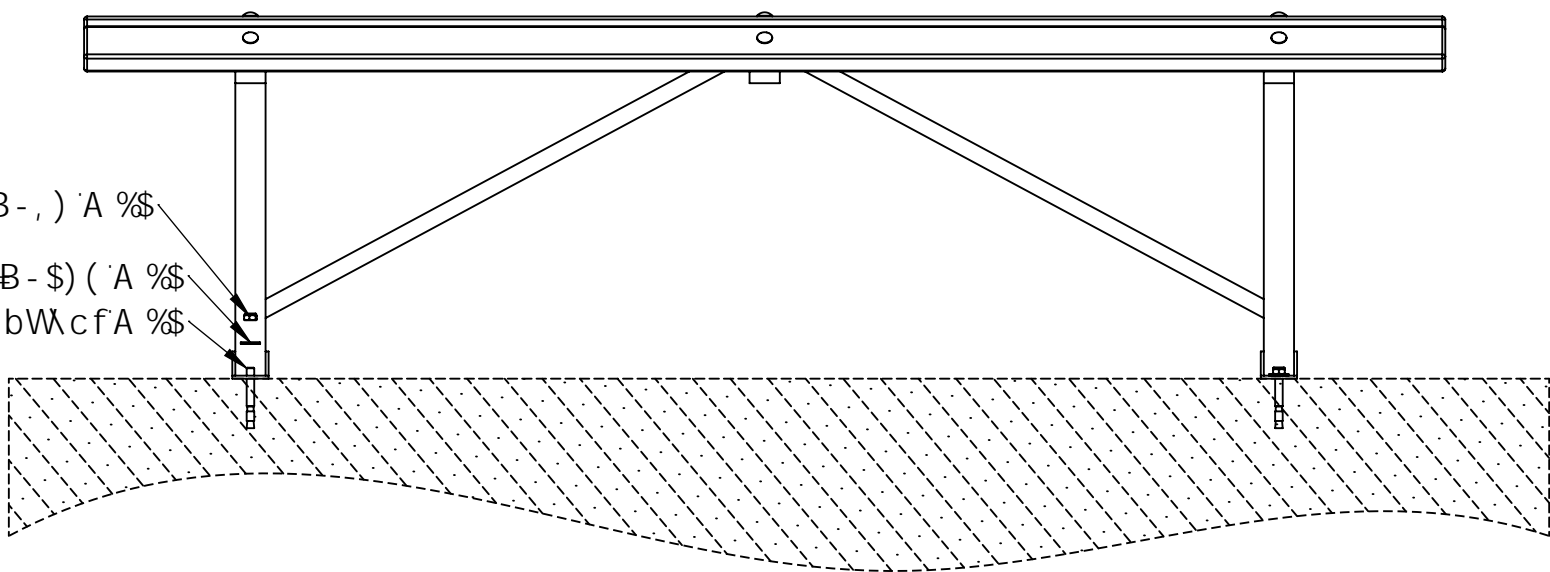
89G7 F-DHC B.
 dUf_ VYbW 'G5 ?I



Tiptaptap OÜ
 HdhhdUd`C y
 JYYrcfb]- ž
 >- f]U`Yj]žFUy`j U`Xž
 +)' \$%<Uf† a UU

A 5H9F-5@	k ccXža YH`žd`Ug]W	5 (
K 9< <H &) _]	G7 5 @. %%%	G< 99H%C : "

bi h8 B-,) 'A %\$
 k Ug\Yf8 B-\$) ('A %\$
 Gi X 'UbW\cfA %\$



I B @GGC H: 9FK €9 QD97 = 98.
 8 A 9BGC BG5F9 B A @A 9HFG
 K 9= <H5F9 B ? @C ; F5A A "

	B5A 9	G= B5H F9	85H9	F9J €CB
8F5K B	ÜB[(]		\$' "\$- "&\$%	
5DDJ B				

D5FHBI A 69F #8K ; 'BC"
 €DDG\$%

89G7 F-DHC B.
 dUf_ VYbW\ 'G5?!

Tiptiptap ^{ÖÜ}
 Hdhhdud 'Cy
 JYYhcfb]- ž
 >- fl'U'Yj]ž'FUy j U'Xž
 +)' \$%<Uf↑ a UU

A 5H9F-5@
 k ccXža YHžd 'Ug]W
 5(
 K 9= <H &) ']
 G7 5 @9. %%\$
 G< 99H & C: "

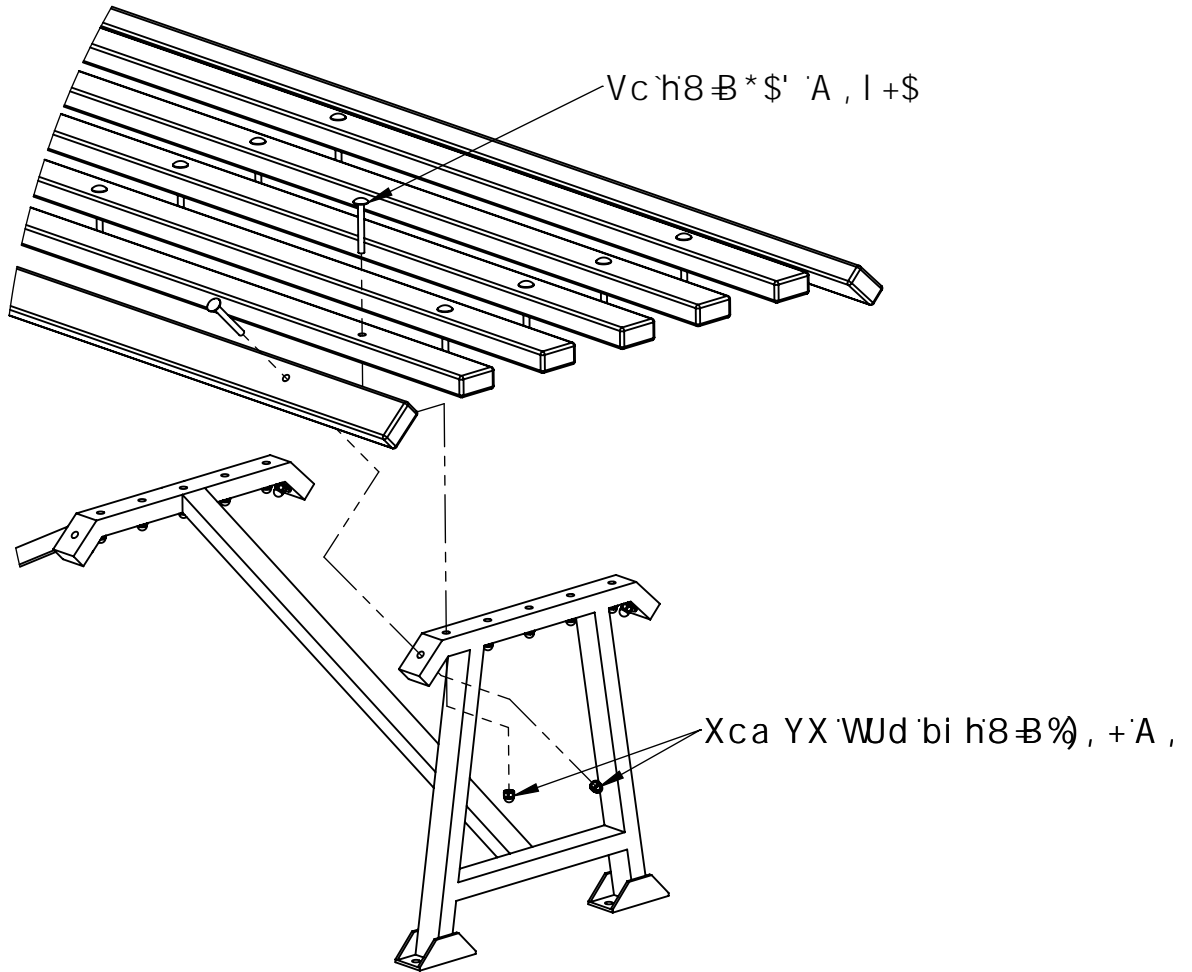
5

6

7

8

9



I B@GGC H: 9FK -G9 0D97 ÷ 98.
 8A 9BGC BG5F9-B A @A 9HFG
 K 9< H5F9-B ?@C; F5A A "

D5FHB I A 69F #8K; 'BC".

ÐDG\$%

	B5A 9	C= B5H F9	85H9	F9J -GCB
8F5K B	ÜB{ []		'\$-`&5%	
5DDJ B				

89G7 F-DHC B.

dUf_`VYbW`G5?I



Tiptaptap OÜ

HdhdHJd`C y
 JYYrcfb]- ž
 >- f]U`Yj]žFUy`j U`Xž
 +)' \$%<Uf† a UU

A 5H9F-5@

k ccXža YHJ`žd`Ug]W

5(

K 9< <H&)]_

G7 5@. %%%

G<99H' :C: "