


UNLESS OTHERWISE SPECIFIED: DIMENSIONS ARE IN MILLIMETERS WEIGHT ARE IN KILOGRAMM				Product code: 52387	
NAME		SIGNATURE		DESCRIPTION:	
DRAWN		M. Kalamees		Slide 3,10m	
		DATE			
		11/11/2024			
 Tiptiptap ^{ÖÜ}				A4	
				WEIGHT:	
				SHEET 1 OF 2	

A

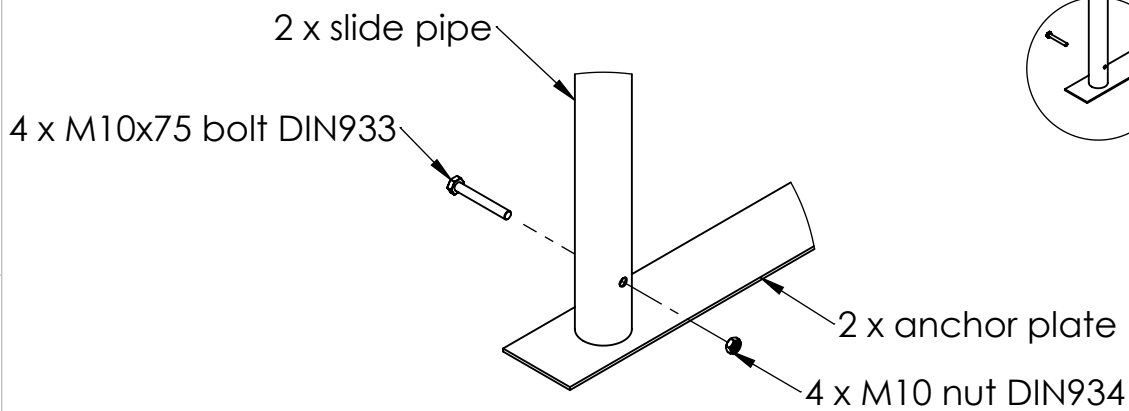
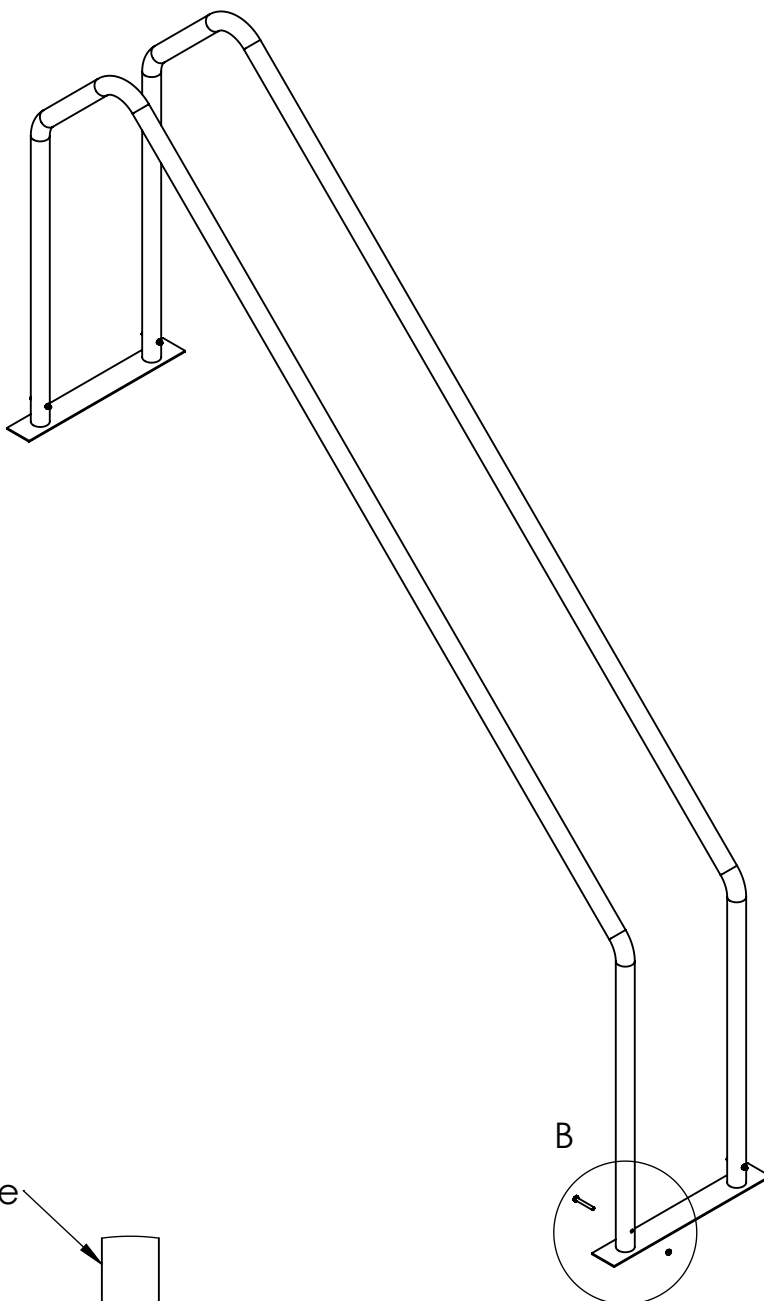
B

C

D

E

F



DETAIL B
SCALE 1 : 8

UNLESS OTHERWISE SPECIFIED:
DIMENSIONS ARE IN MILLIMETERS
WEIGHT ARE IN KILOGRAMM

Product code:

52387

NAME

SIGNATURE

DATE

DRAWN

M. Kalamees

11/11/2024

DESCRIPTION:

Slide 3,10m



Tiptap^{ÖÜ}

A4

WEIGHT:

SCALE: 1:50

SHEET 2 OF 2