

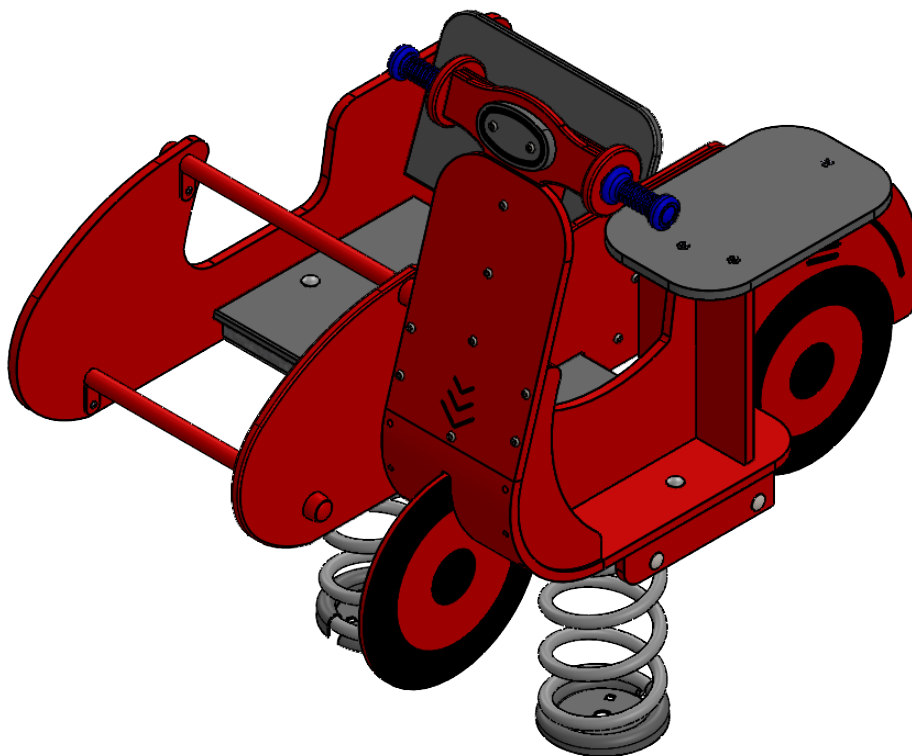
A

B

C

D

E



UNLESS OTHERWISE SPECIFIED:  
 DIMENSIONS ARE IN MILLIMETERS  
 WEIGHT ARE IN KILOGRAMM

Product code:

VL71

NAME

SIGNATURE

DATE

DRAWN

K.Männik

7/31/2025

DESCRIPTION:

Spring swing VESPA



Tiptiptap<sup>oü</sup>

A 4

WEIGHT:

SCALE: 1:10

SHEET 1 OF 16

Safety area

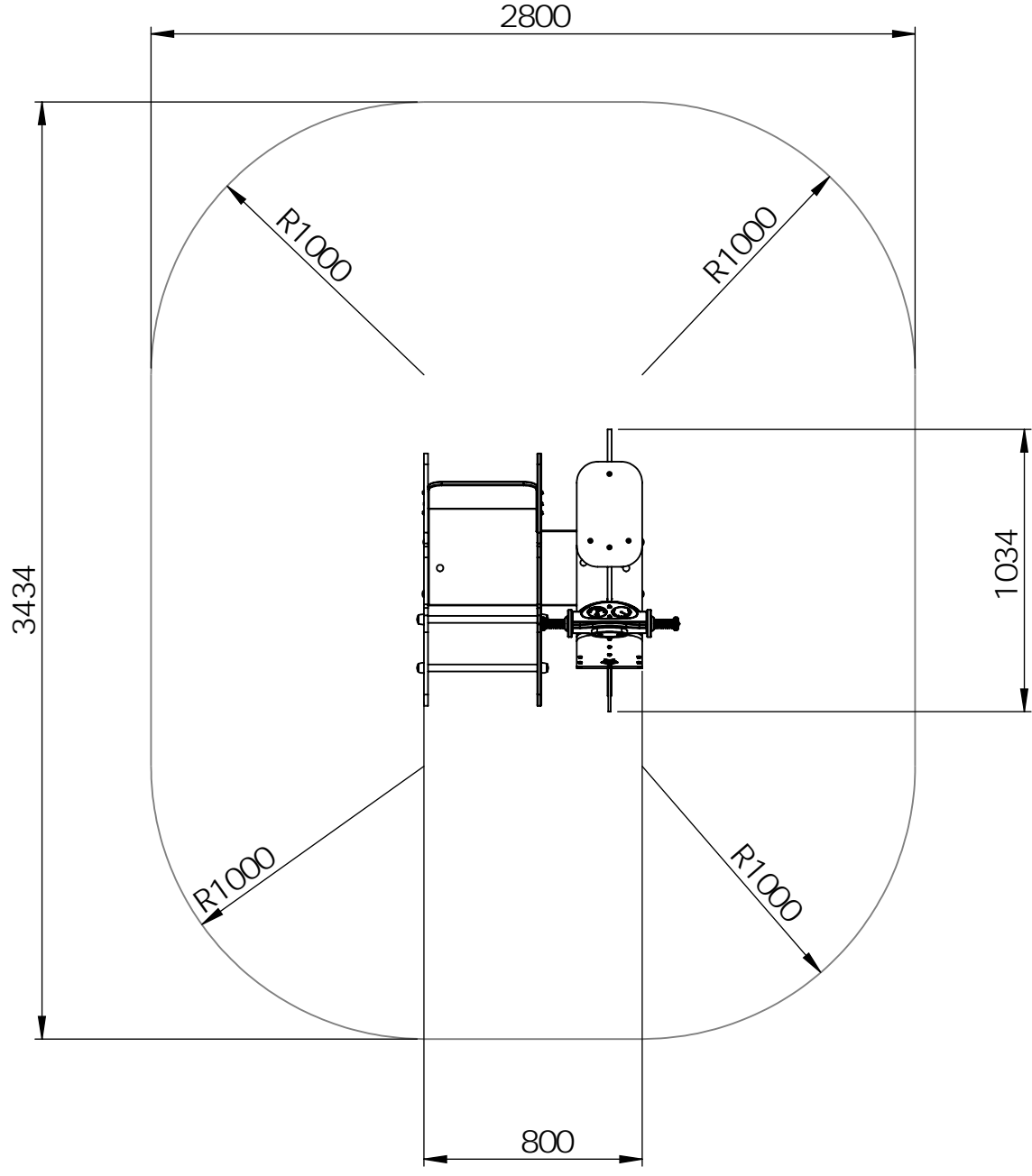
A

B

C

D

E



UNLESS OTHERWISE SPECIFIED:  
 DIMENSIONS ARE IN MILLIMETERS  
 WEIGHT ARE IN KILOGRAMM

Product code: **VL71**

	NAME	SIGNATURE	DATE
DRAWN	K.Männik		7/31/2025

DESCRIPTION: **Spring swing VESPA**



WEIGHT:	SCALE: 1:25	A 4
		SHEET 2 OF 16

F

# Foundation

A

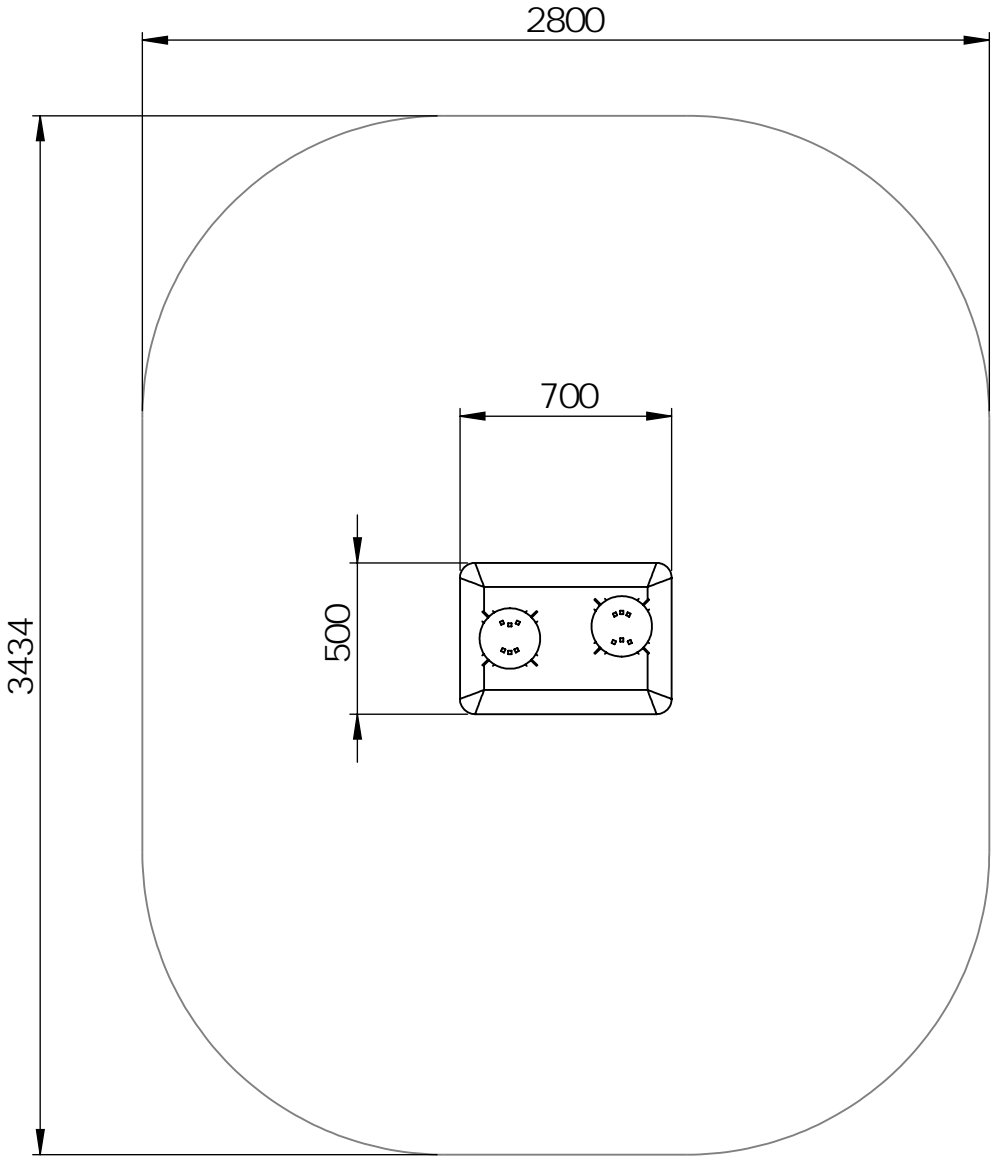
B

C

D

E

F



UNLESS OTHERWISE SPECIFIED: DIMENSIONS ARE IN MILLIMETERS WEIGHT ARE IN KILOGRAMM			
	NAME	SIGNATURE	DATE
DRAWN	K.Männik		7/31/2025

Product code:	VL71
---------------	------

DESCRIPTION:	Spring swing VESPA
--------------	--------------------



WEIGHT:	SCALE: 1:25	A 4
		SHEET 3 OF 16

A

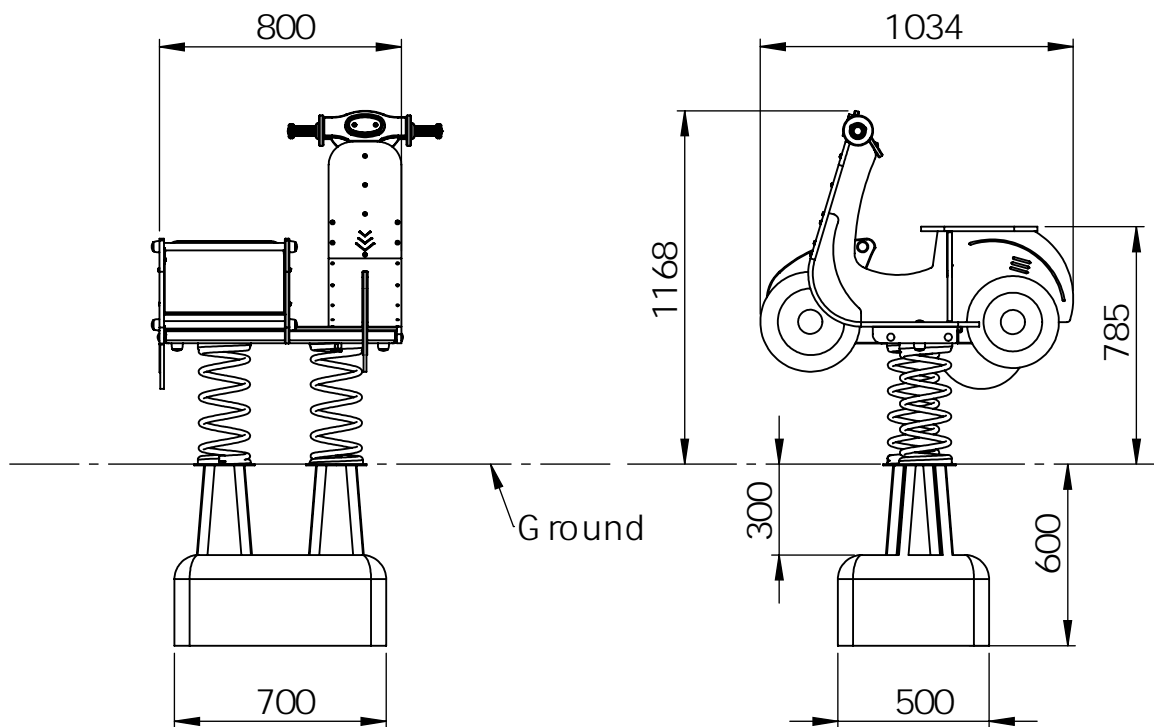
B

C

D

E

F



UNLESS OTHERWISE SPECIFIED:  
 DIMENSIONS ARE IN MILLIMETERS  
 WEIGHT ARE IN KILOGRAMM

Product code:

VL71

NAME

SIGNATURE

DATE

DRAWN

K.Männik

7/31/2025

DESCRIPTION:

Spring swing VESPA



Tiptap<sup>OO</sup>

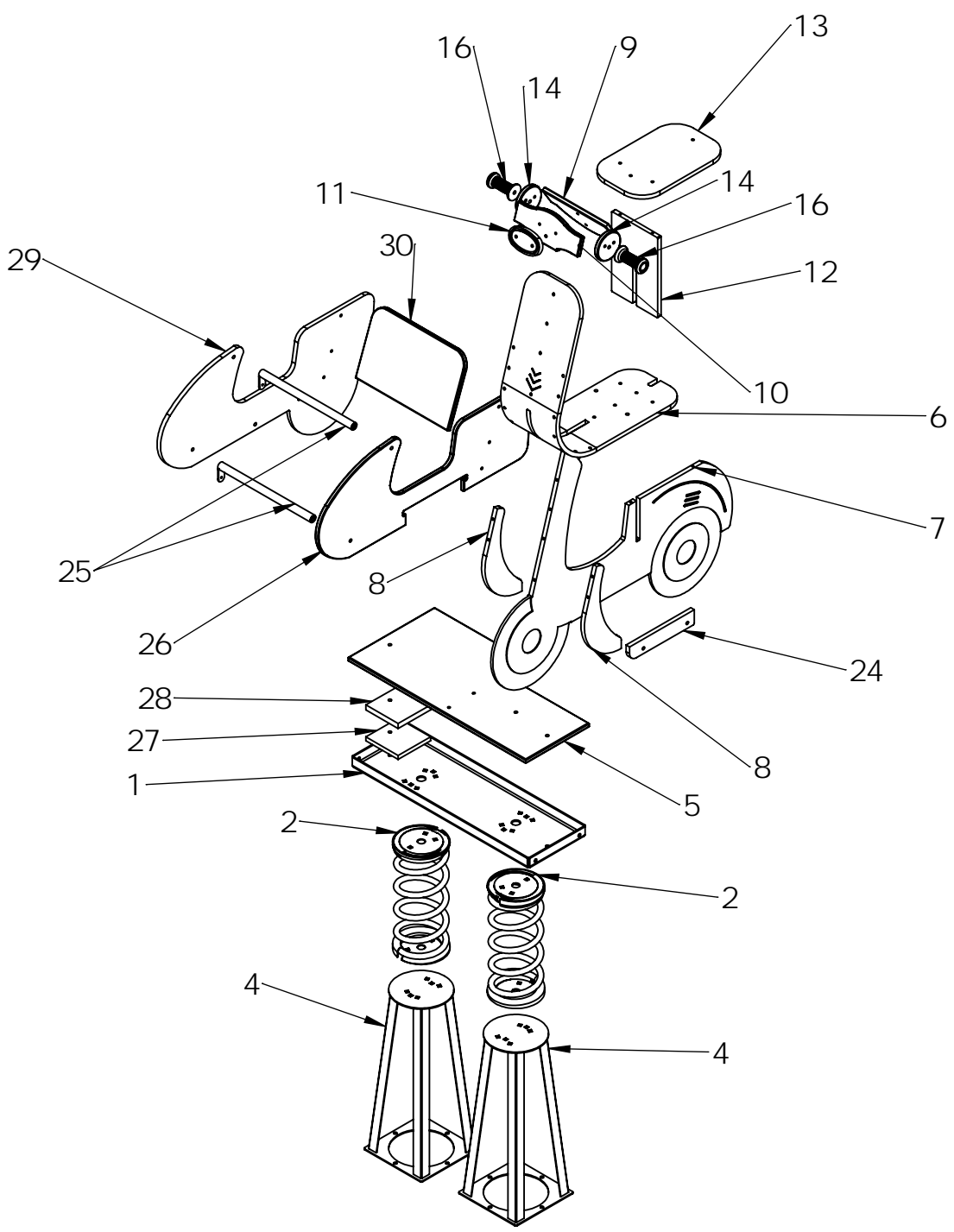
WEIGHT:

SCALE: 1:25

A 4

SHEET 4 OF 16

A  
B  
C  
D  
E



UNLESS OTHERWISE SPECIFIED:  
DIMENSIONS ARE IN MILLIMETERS  
WEIGHT ARE IN KILOGRAMM

Product code: **VL71**


	NAME	SIGNATURE	DATE
DRAWN	K.Männik		7/31/2025

DESCRIPTION: **Spring swing VESPA**



WEIGHT:	SCALE: 1:20	A 4
		SHEET 5 OF 16

	1	2	3	4	
	ITEM NO.	DESCRIPTION			QTY.
A	1	Console for two seat spring swing			1
	2	spring swing spring 170mm			2
	4	ground fixing			2
B	5	VL71 Bottom panel			1
	6	VL71 Front detail			1
	7	VL71 Body			1
	8	VL71 outter side panel			2
	9	VL71 spidometer			1
C	10	VL71 Front panel			1
	11	VL71 Headlight			1
	12	VL71 seat reinforcement			1
	13	VL71 Seat			1
	14	VL71 Grip detail			2
D	16	Spring swing handle			2
	24	VL71 Spoiler detail			1
	25	Guardrail D25x400			2
	26	VL71 Sidecar inner panel			1
E	27	VL71 Bottom filler detail 15mm			1
	28	VL71 Bottom filler detail 19mm			1
	29	VL71 Sidecar outter panel			1
	30	VL71 Sidecar backrest			1

F	UNLESS OTHERWISE SPECIFIED: DIMENSIONS ARE IN MILLIMETERS WEIGHT ARE IN KILOGRAMM			Product code: <b>VL71</b>	
		NAME	SIGNATURE	DATE	DESCRIPTION: <b>Spring swing VESPA</b>
	DRAWN	K.Männik		7/31/2025	
	 <b>Tiptap</b> OÜ				A 4
WEIGHT:			SCALE: 1:20	SHEET 6 OF 16	

A

B

C

D

E

F

spring swing rubber stopper

Spring swing spring disc

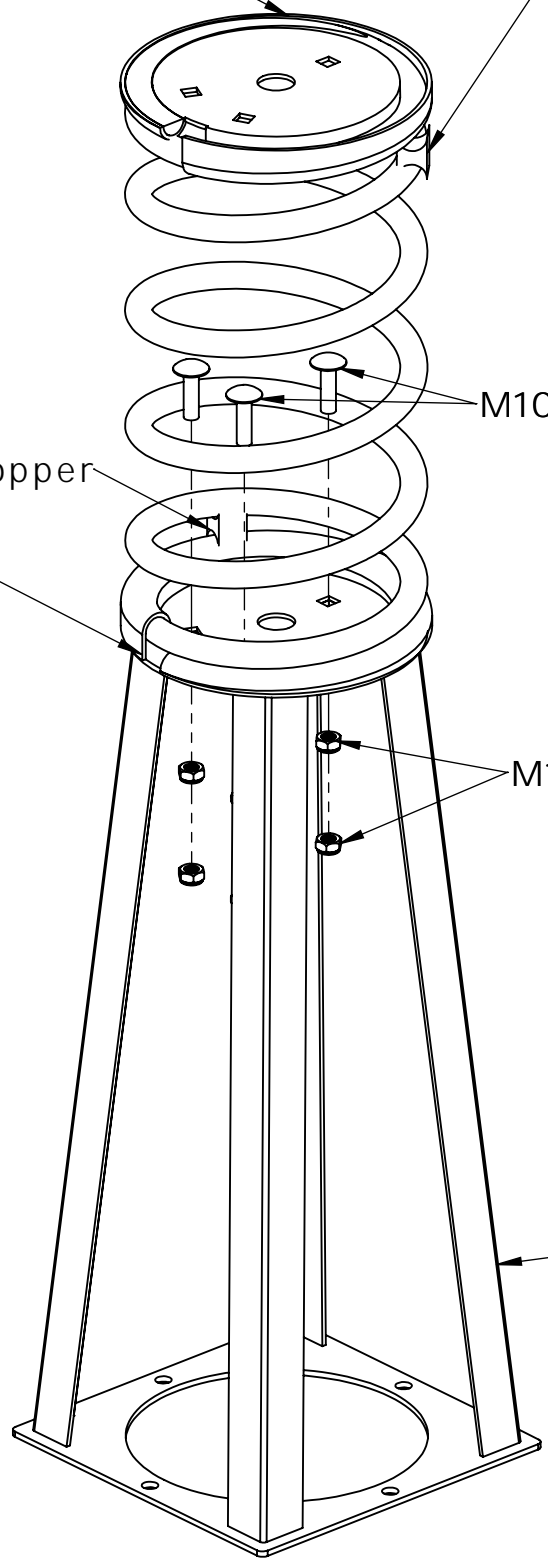
M10x35 bolt DIN603

spring swing rubber stopper

Spring swing spring disc

M10 Nut DIN985

ground fixing



UNLESS OTHERWISE SPECIFIED:  
 DIMENSIONS ARE IN MILLIMETERS  
 WEIGHT ARE IN KILOGRAMM

PART NUMBER / DWG NO.:  
**VL71**

	NAME	SIGNATURE	DATE	REVISION
DRAWN	K.Männik		7/31/2025	
APPV'D				

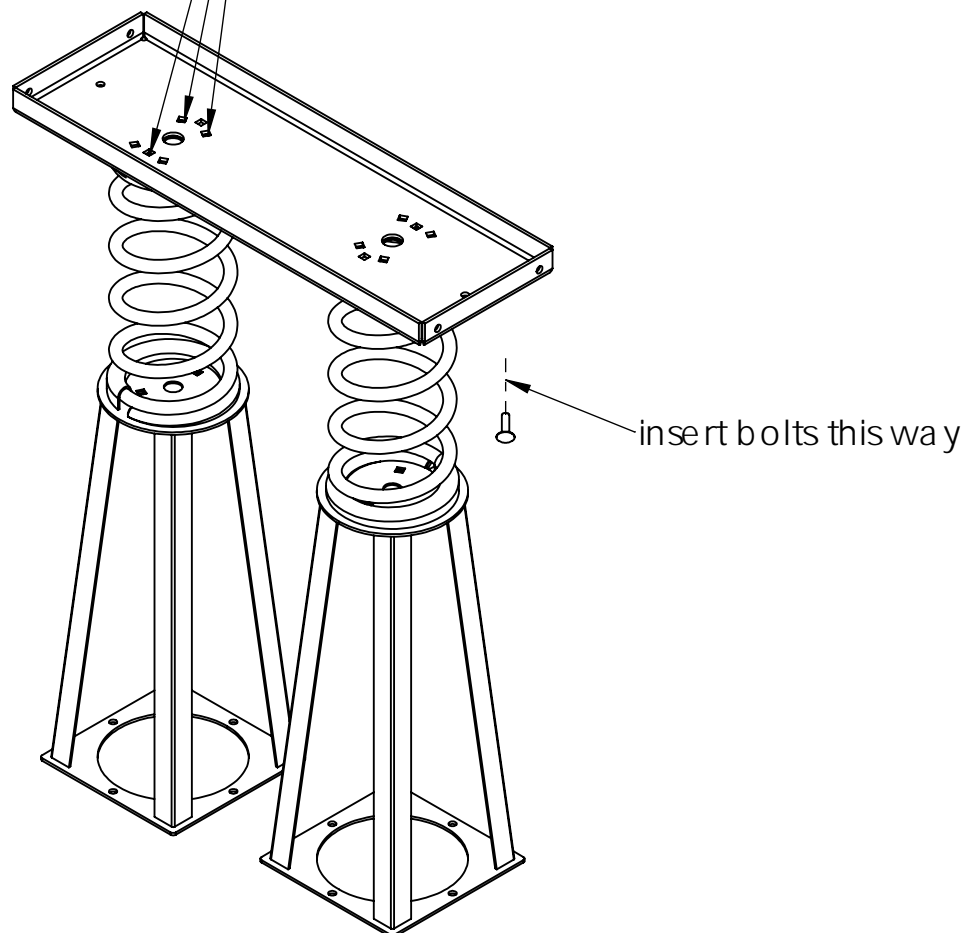
DESCRIPTION:  
**Spring swing VESPA**



MATERIAL:	wood, metal, plastic	A 4
WEIGHT:	SCALE: 1:5	SHEET 7 OF 16

# Central console to spring assembly

M10x35 bolt DIN 603 x6  
 M10 nut DIN985 x12  
 (double nuts for all bolts)



UNLESS OTHERWISE SPECIFIED:  
 DIMENSIONS ARE IN MILLIMETERS  
 WEIGHT ARE IN KILOGRAMM

Product code:

VL71

NAME

SIGNATURE

DATE

DRAWN

K.Männik

7/31/2025

DESCRIPTION:

Spring swing VESPA



**Tiptap** OÜ

A 4

WEIGHT:

SCALE: 1:10

SHEET 8 OF 16

A

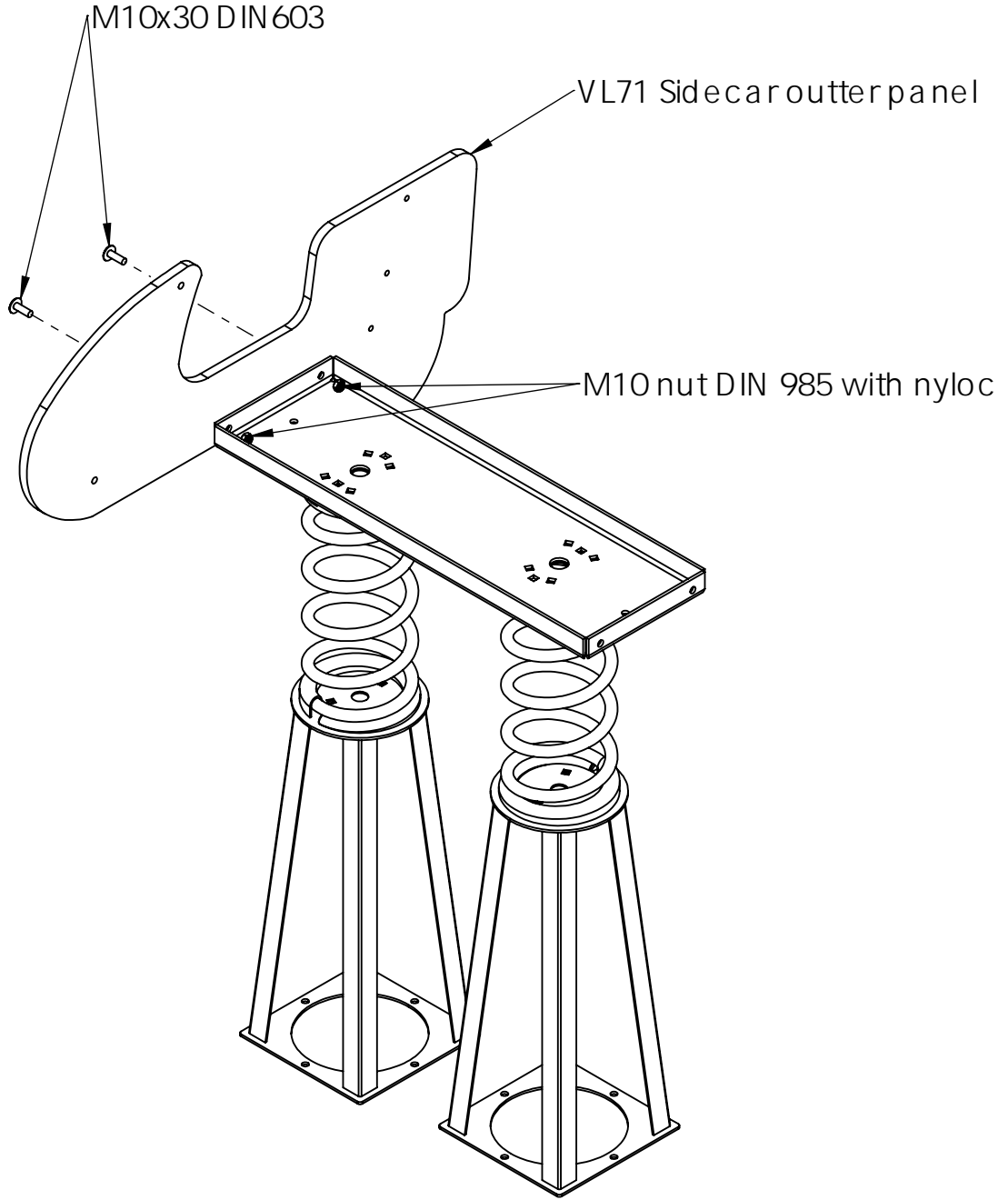
B

C

D

E

F



UNLESS OTHERWISE SPECIFIED:  
 DIMENSIONS ARE IN MILLIMETERS  
 WEIGHT ARE IN KILOGRAMM

Product code:

VL71

NAME

SIGNATURE

DATE

DRAWN

K.Männik

7/31/2025

DESCRIPTION:

Spring swing VESPA



Tiptiptap<sup>OO</sup>

A 4

WEIGHT:

SCALE: 1:10

SHEET 9 OF 16

A

B

C

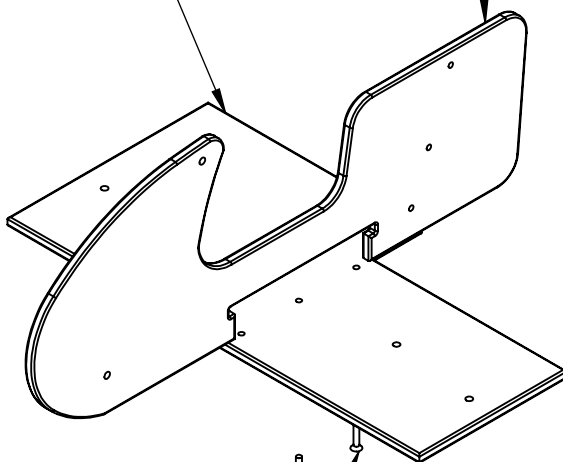
D

E

F

VL71 Bottom panel

VL71 Sidecar innerpanel



Slide the inner panel on to the bottom panel and fix with M8x40 hex socket bolts

M8x40 hex socket bolt DIN 7991

UNLESS OTHERWISE SPECIFIED:  
DIMENSIONS ARE IN MILLIMETERS  
WEIGHT ARE IN KILOGRAMM

Product code:

VL71

NAME

SIGNATURE

DATE

DRAWN

K.Männik

7/31/2025

DESCRIPTION:

Spring swing VESPA



Tiptiptap<sup>OO</sup>

A 4

WEIGHT:

SCALE: 1:10

SHEET 10 OF 16

A

B

C

D

E

F

M10x70 DIN603

VL71 Bottom filler detail 19mm

VL71 Bottom filler detail 15mm

M12 Nut cover

M10 Washer DIN9054

nut DIN 985 with nyloc

M12 Nut cover cap

VL71 Spoiler detail

M10x30 DIN 603

M10 DIN 985 with nyloc

**NB!** attach spoiler detail before the bottom panel.

UNLESS OTHERWISE SPECIFIED:  
DIMENSIONS ARE IN MILLIMETERS  
WEIGHT ARE IN KILOGRAMM

Product code:  
**VL71**

	NAME	SIGNATURE	DATE
DRAWN	K.Männik		7/31/2025

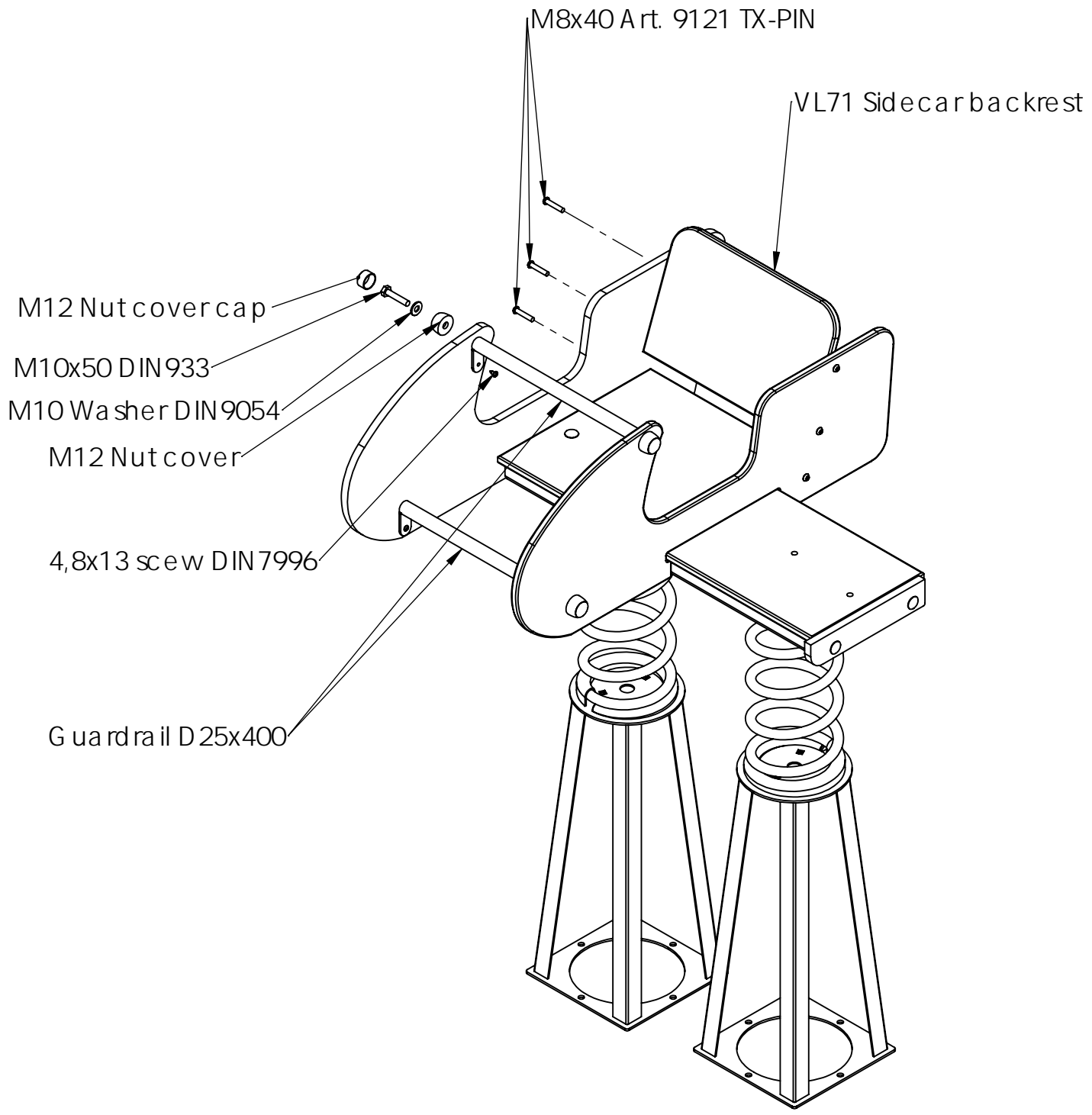
DESCRIPTION:  
**Spring swing VESPA**



**Tiptap** OÜ

WEIGHT:	SCALE: 1:10	A 4
		SHEET 11 OF 16

A  
B  
C  
D  
E  
F



UNLESS OTHERWISE SPECIFIED: DIMENSIONS ARE IN MILLIMETERS WEIGHT ARE IN KILOGRAMM			
	NAME	SIGNATURE	DATE
DRAWN	K.Männik		7/31/2025

Product code:	VL71
DESCRIPTION:	Spring swing VESPA



WEIGHT:	SCALE: 1:10	A 4
		SHEET 12 OF 16

A

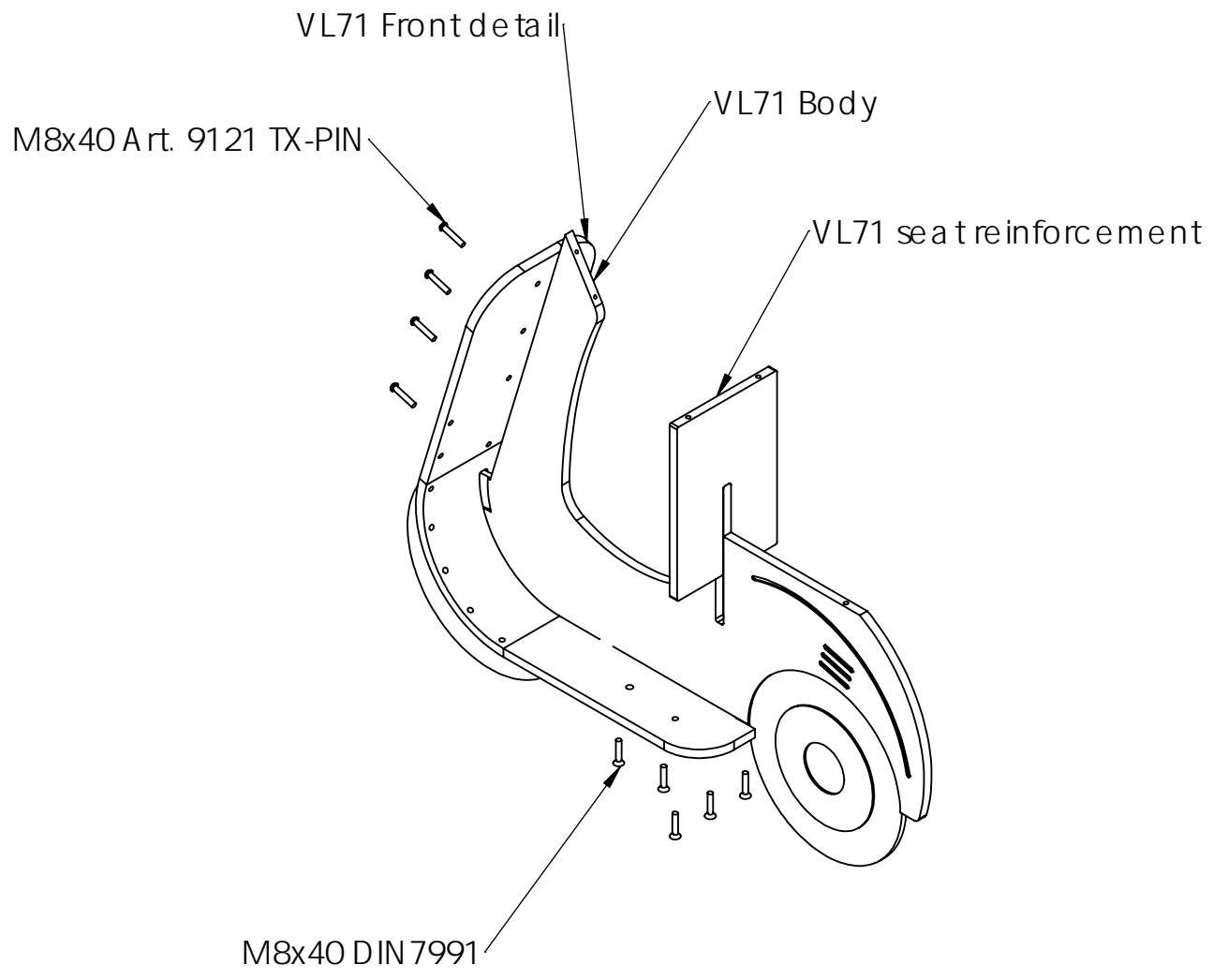
B


C

D

E

F



UNLESS OTHERWISE SPECIFIED: DIMENSIONS ARE IN MILLIMETERS WEIGHT ARE IN KILOGRAMM				Product code: <b>VL71</b>	
	NAME	SIGNATURE	DATE	DESCRIPTION: <b>Spring swing VESPA</b>	
DRAWN	K.Männik		7/31/2025		
 <b>Tiptiptap</b> OÜ					
				WEIGHT:	

A

B

C

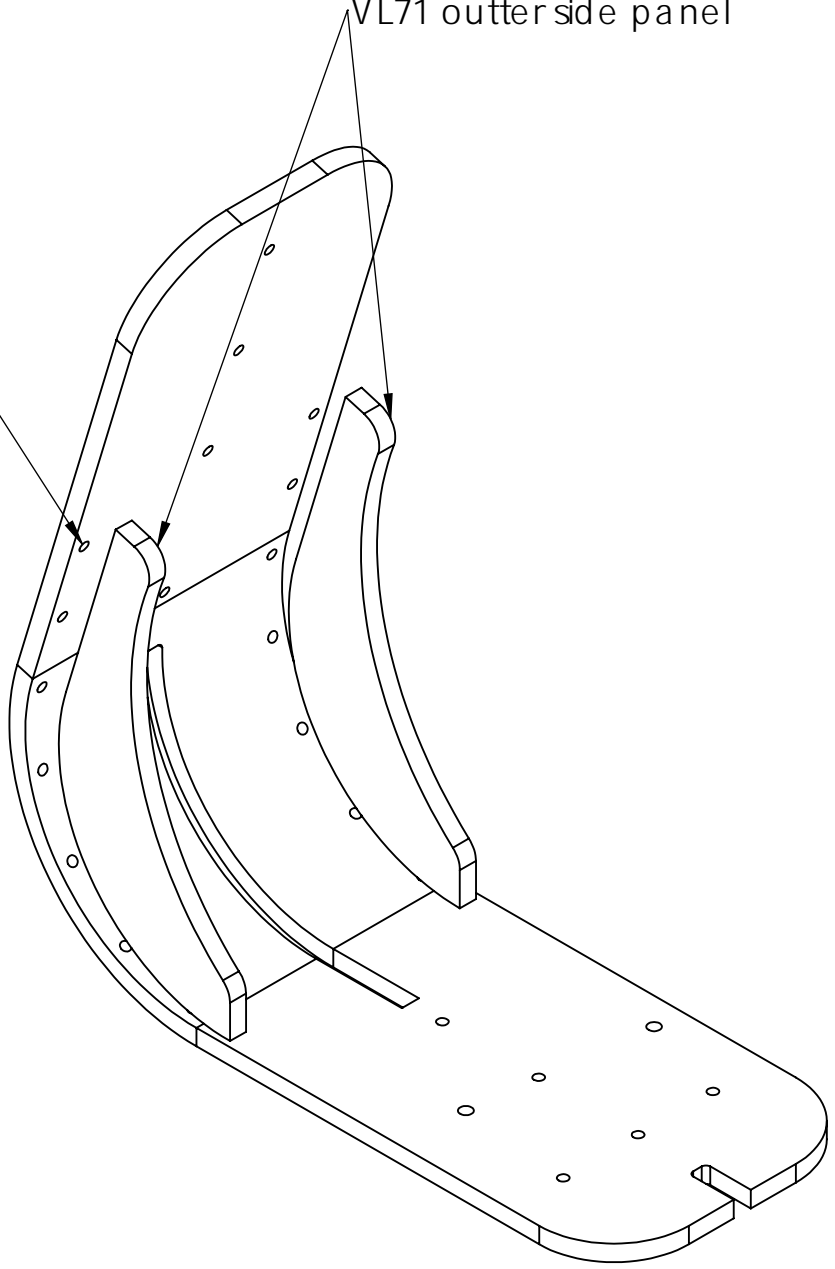
D

E

F

VL71 outer side panel

M8x40 Art. 9121 TX-PIN  
fixings needed : 14pc



UNLESS OTHERWISE SPECIFIED:  
DIMENSIONS ARE IN MILLIMETERS  
WEIGHT ARE IN KILOGRAMM

Product code:

VL71

NAME

SIGNATURE

DATE

DRAWN

K.Männik

7/31/2025

DESCRIPTION:

Spring swing VESPA



Tiptap<sup>OU</sup>

A 4

WEIGHT:

SCALE: 1:5

SHEET 14 OF 16

A

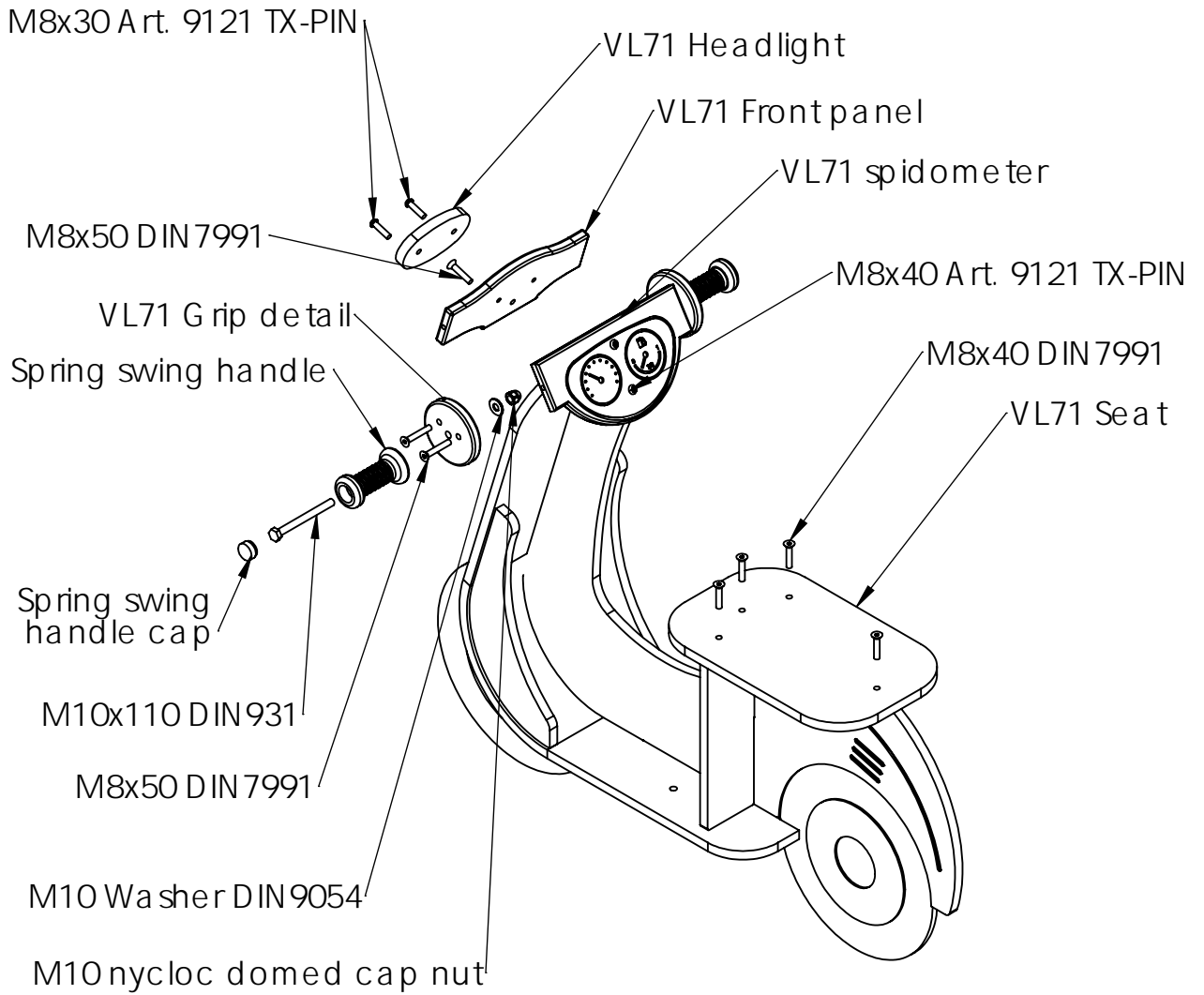
B

C

D

E

F



UNLESS OTHERWISE SPECIFIED:  
 DIMENSIONS ARE IN MILLIMETERS  
 WEIGHT ARE IN KILOGRAMM

Product code:

VL71

NAME

SIGNATURE

DATE

DRAWN

K.Männik

7/31/2025

DESCRIPTION:

Spring swing VESPA



**Tiptap** OÜ

A 4

WEIGHT:

SCALE: 1:10

SHEET 15 OF 16

A

B

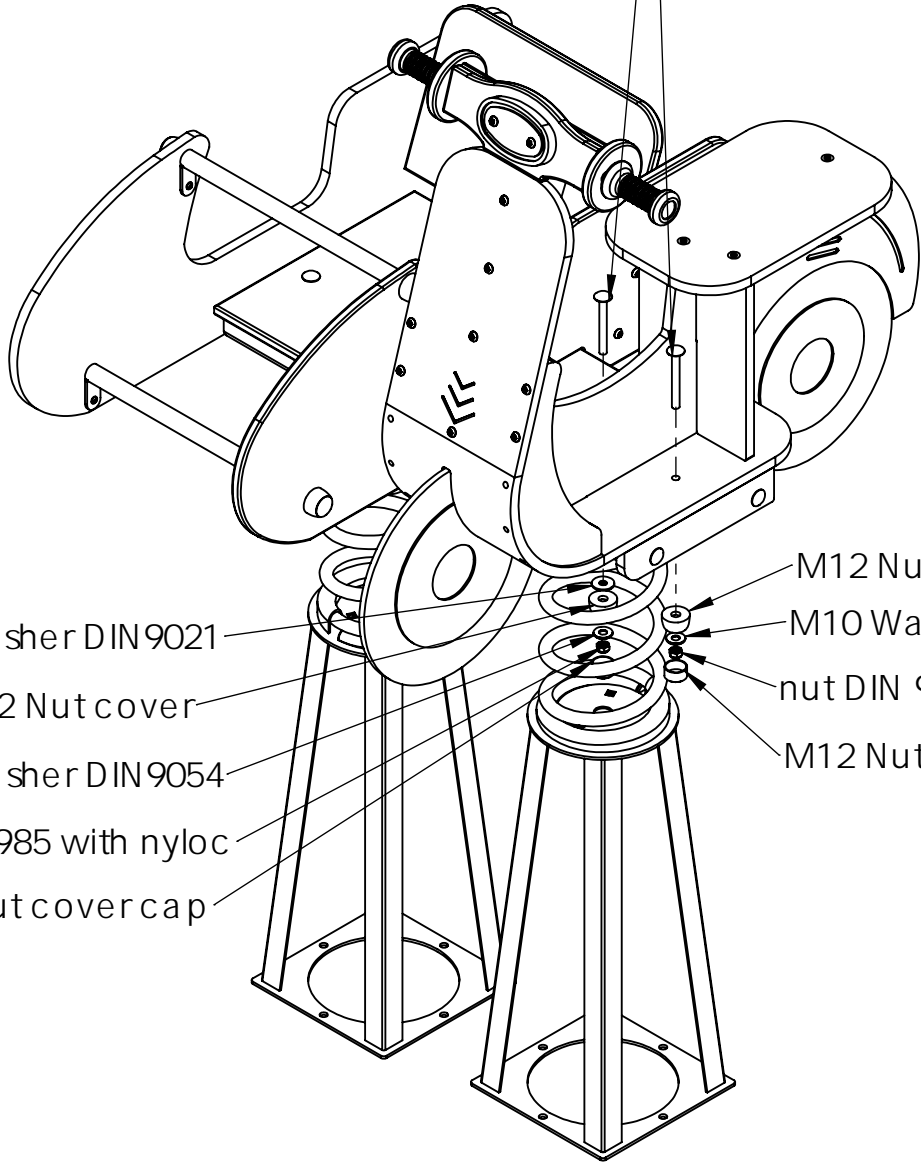
C

D

E

F

M10x90 DIN 603



M10 washer DIN 9021  
 M12 Nut cover  
 M10 Washer DIN 9054  
 nut DIN 985 with nyloc  
 M12 Nut cover cap

M12 Nut cover  
 M10 Washer DIN 9054  
 nut DIN 985 with nyloc  
 M12 Nut cover cap

UNLESS OTHERWISE SPECIFIED:  
 DIMENSIONS ARE IN MILLIMETERS  
 WEIGHT ARE IN KILOGRAMM

Product code: **VL71**

DESCRIPTION: **Spring swing VESPA**

WEIGHT:	SCALE: 1:10	A 4
		SHEET 16 OF 16

