

A

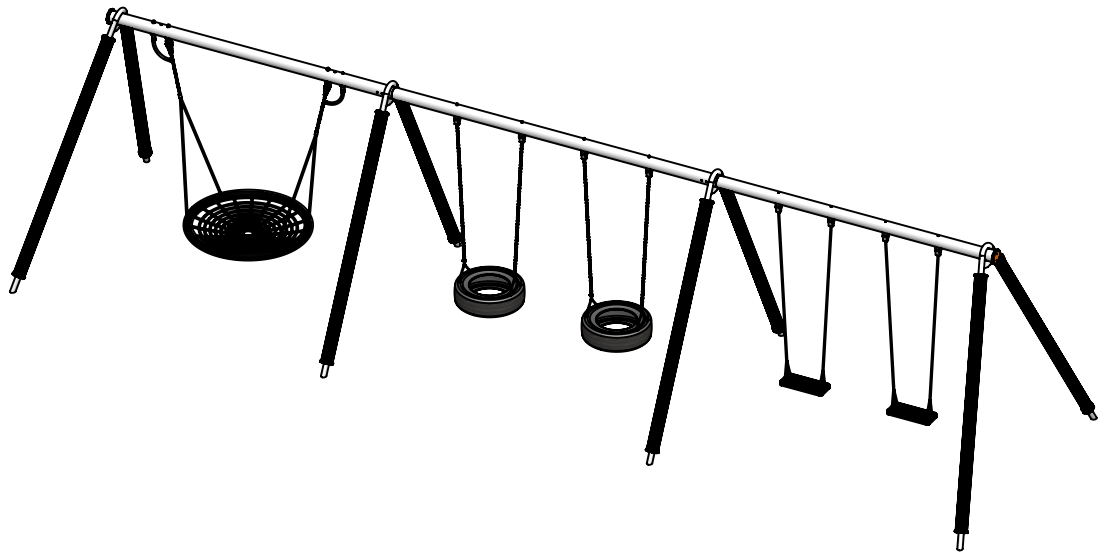
B

C

D

E

F



UNLESS OTHERWISE SPECIFIED:
 DIMENSIONS ARE IN MILLIMETERS
 WEIGHT ARE IN KILOGRAMM

PART NUMBER / DWG NO.:

OCT009

	NAME	SIGNATURE	DATE	REVISION
DRAWN	M.Rebase		02.06.2025	
APPV'D				

DESCRIPTION:

Swing OCTO 6 seats



Tiptiptap^{ÖÜ}

MATERIAL:

A4

WEIGHT:

SCALE: 1:70

SHEET 1 OF 8

safety area

A

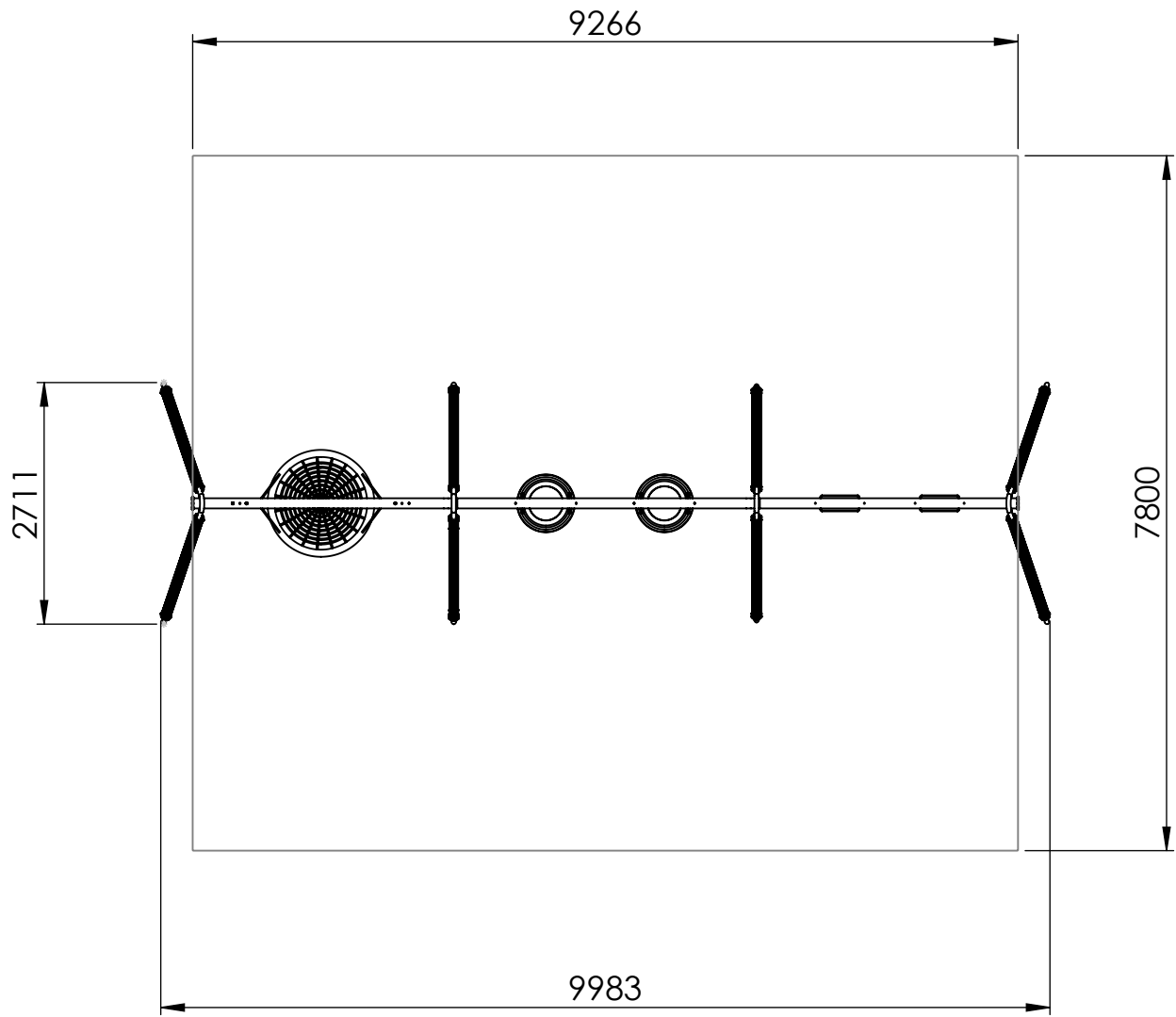
B

C

D

E

F



UNLESS OTHERWISE SPECIFIED:
DIMENSIONS ARE IN MILLIMETERS
WEIGHT ARE IN KILOGRAMM

PART NUMBER / DWG NO.:

OCT009

	NAME	SIGNATURE	DATE	REVISION
DRAWN	M.Rebase		02.06.2025	
APPV'D				

DESCRIPTION:

Swing OCTO 6 seats



Tiptap ÖÜ

MATERIAL:

A4

WEIGHT:

SCALE: 1:80

SHEET 2 OF 8

foundation

A

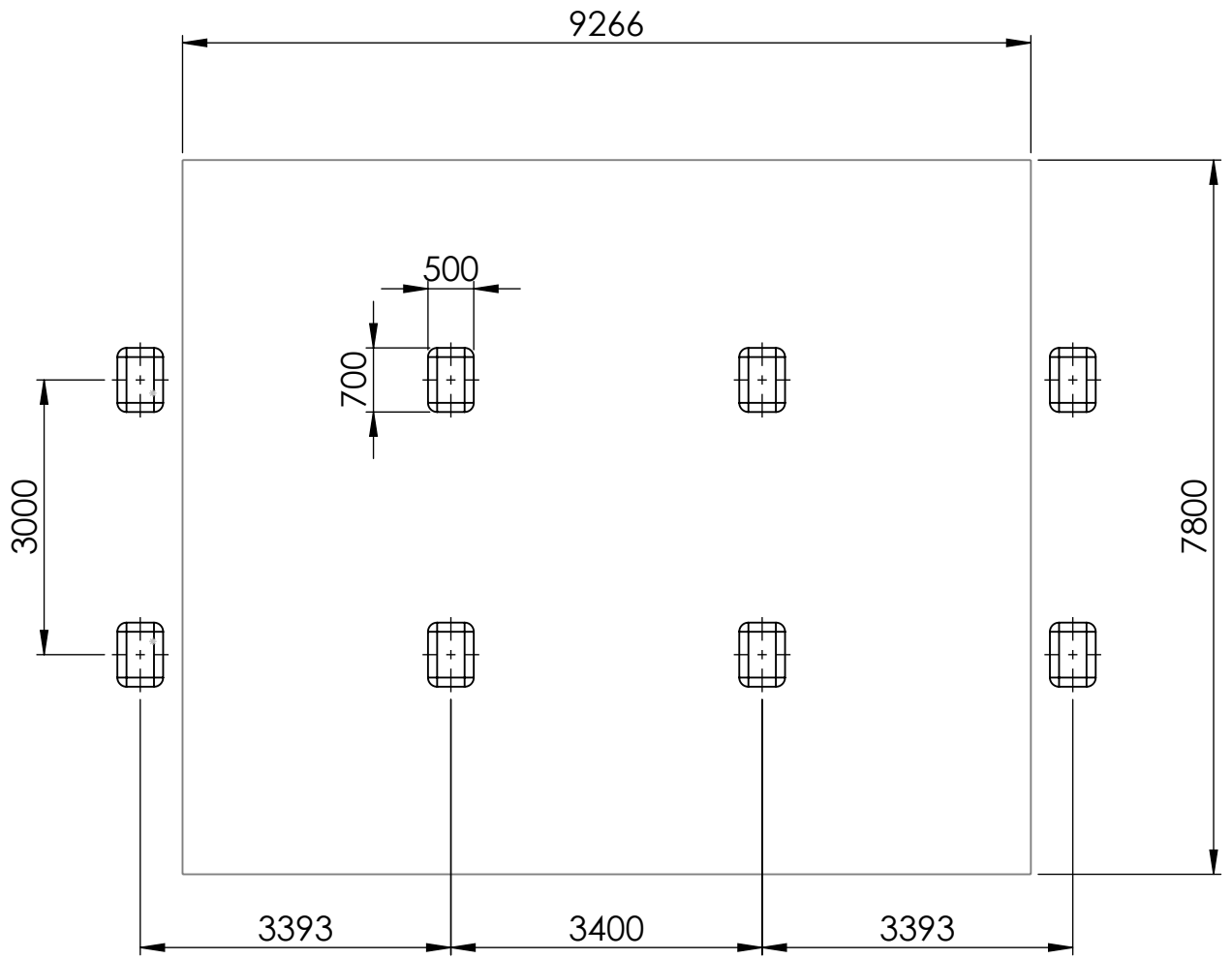
B

C

D

E

F



depth of foundation 700mm

UNLESS OTHERWISE SPECIFIED:
DIMENSIONS ARE IN MILLIMETERS
WEIGHT ARE IN KILOGRAMM

PART NUMBER / DWG NO.:

OCT009

	NAME	SIGNATURE	DATE	REVISION
DRAWN	M.Rebase		02.06.2025	
APPV'D				

DESCRIPTION:

Swing OCTO 6 seats

MATERIAL:

A4

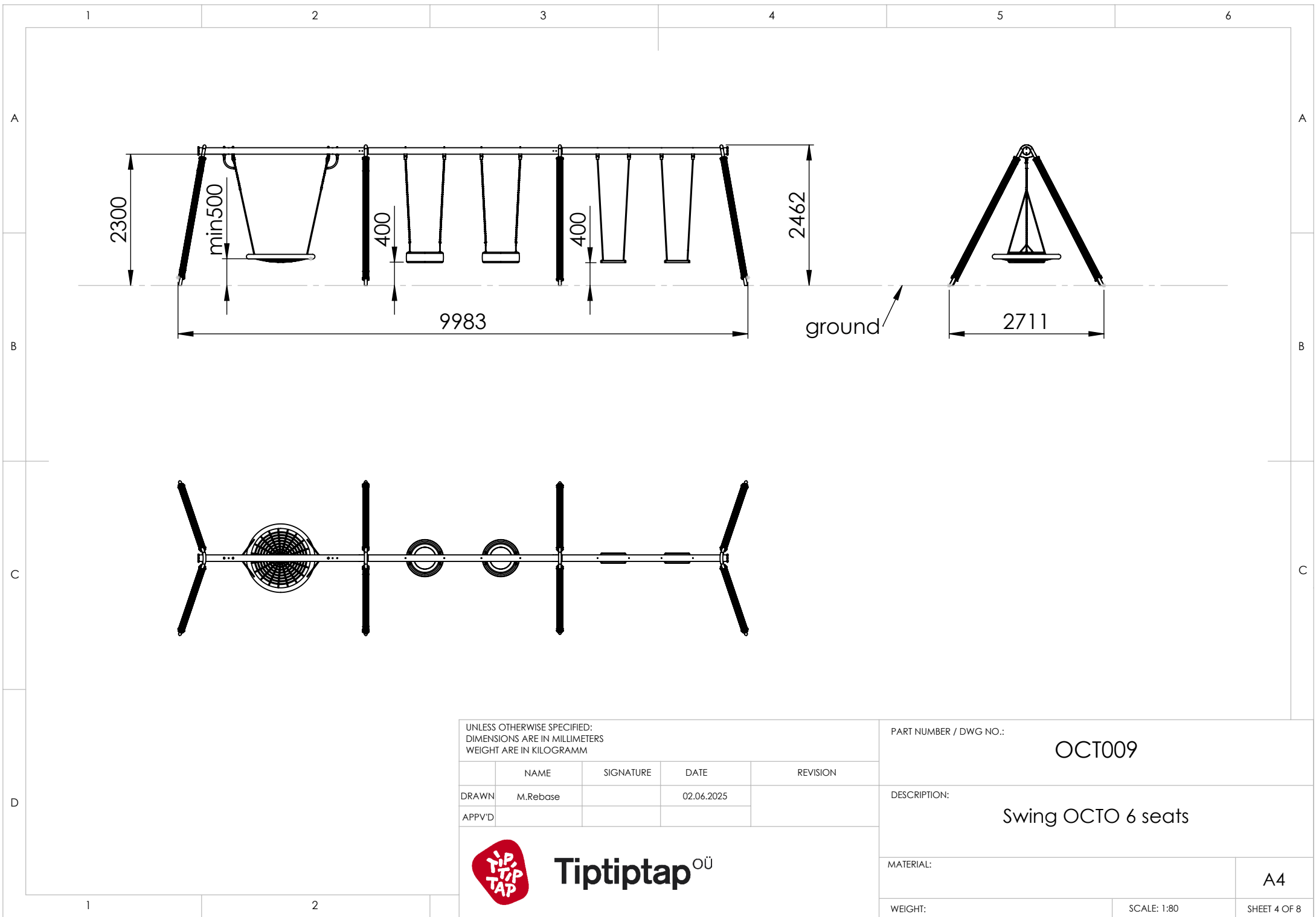
WEIGHT:

SCALE: 1:80

SHEET 3 OF 8



Tiptap OÜ



UNLESS OTHERWISE SPECIFIED:
 DIMENSIONS ARE IN MILLIMETERS
 WEIGHT ARE IN KILOGRAMM

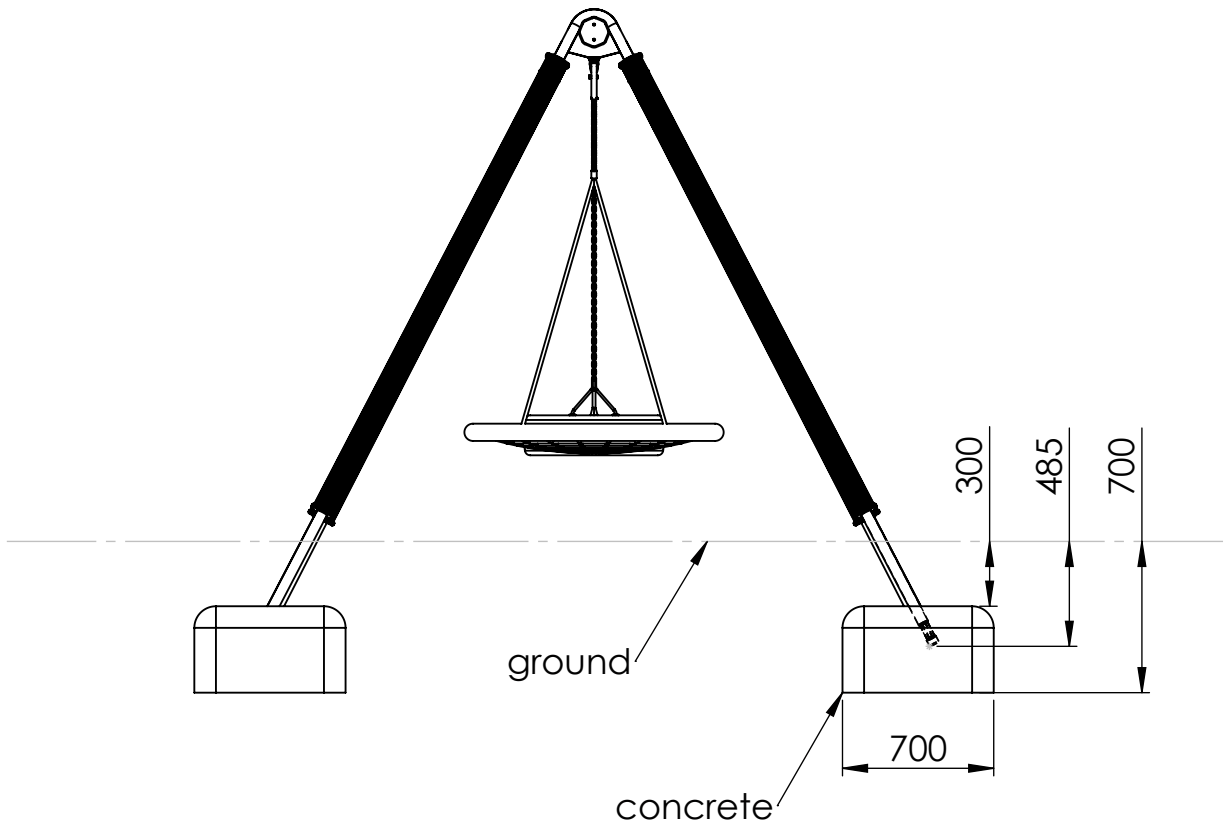
PART NUMBER / DWG NO.:
OCT009

	NAME	SIGNATURE	DATE	REVISION
DRAWN	M.Rebase		02.06.2025	
APPV'D				

DESCRIPTION:
Swing OCTO 6 seats



MATERIAL:		A4
WEIGHT:		SCALE: 1:80
		SHEET 4 OF 8



UNLESS OTHERWISE SPECIFIED:
DIMENSIONS ARE IN MILLIMETERS
WEIGHT ARE IN KILOGRAMM

PART NUMBER / DWG NO.:

OCT009

	NAME	SIGNATURE	DATE	REVISION
DRAWN	M.Rebase		02.06.2025	
APPV'D				

DESCRIPTION:

Swing OCTO 6 seats



Tiptiptap ÖÜ

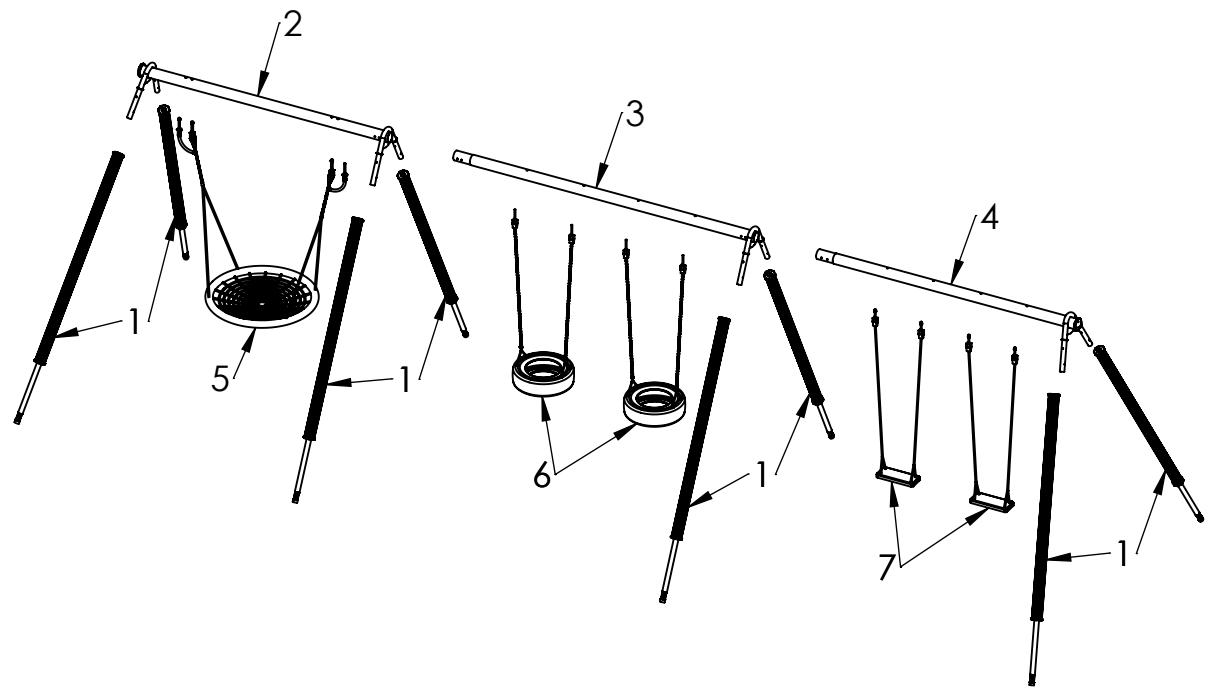
MATERIAL:

A4

WEIGHT:

SCALE: 1:35

SHEET 5 OF 8



ITEM NO.	PART NUMBER	QTY.
1	post L2380	8
2	beam L2988	1
3	beam L3596	1
4	beam L3118	1
5	swing seat set "bird nest"	1
6	tyre swing set	2
7	swing seat set	2

UNLESS OTHERWISE SPECIFIED:
DIMENSIONS ARE IN MILLIMETERS
WEIGHT ARE IN KILOGRAMM

PART NUMBER / DWG NO.:

OCT009

	NAME	SIGNATURE	DATE	REVISION
DRAWN	M.Rebase		02.06.2025	
APPV'D				

DESCRIPTION:

Swing OCTO 6 seats

MATERIAL:

A4

WEIGHT:

SCALE: 1:80

SHEET 6 OF 8



Tiptiptap OÜ

A

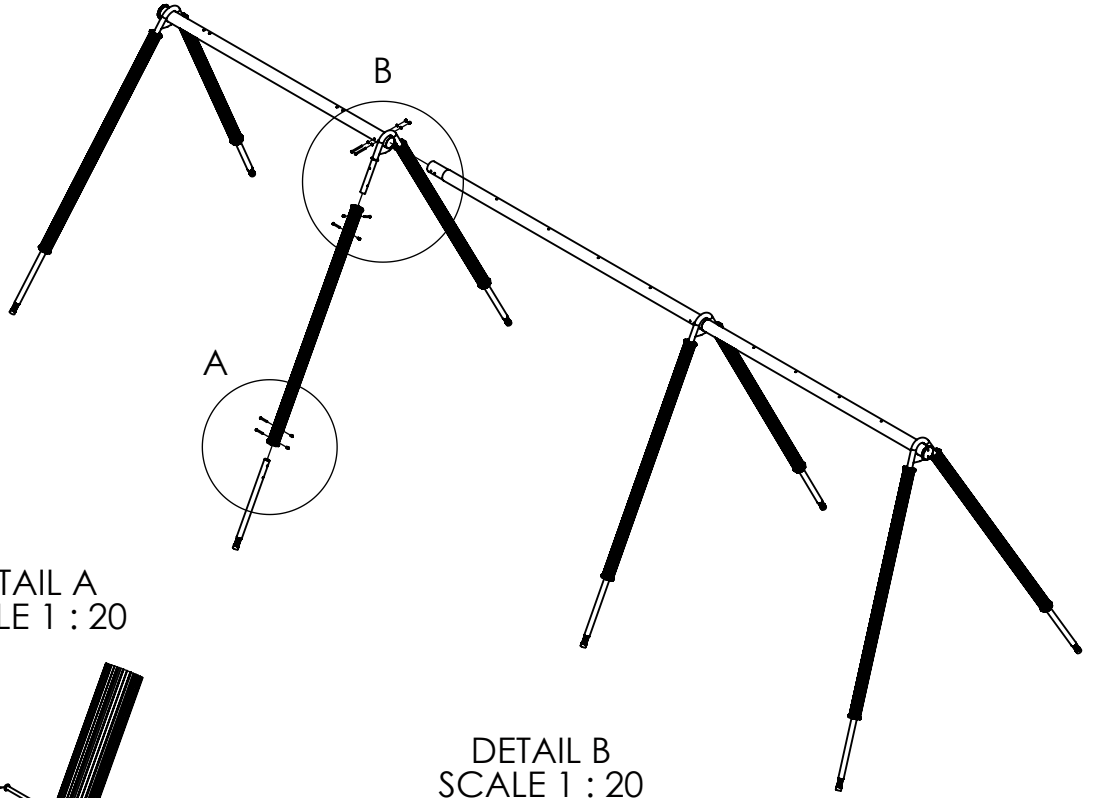
B

C

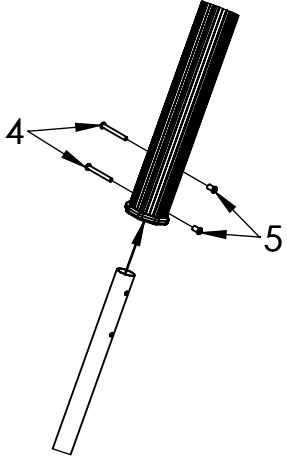
D

E

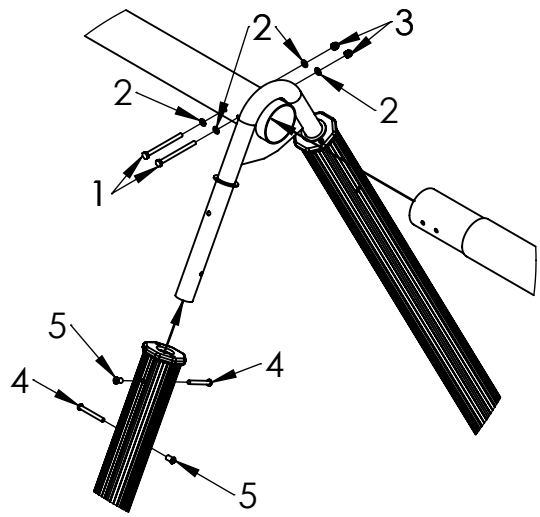
F



DETAIL A
SCALE 1 : 20



DETAIL B
SCALE 1 : 20



NB! Thread glue must be used in places where nut or bolt without lock is used. Add an small drop of glue on the thread of the nut or bolts.

ITEM NO.	PART NUMBER
1	bolt M10x130 DIN931
2	washer M10 DIN125
3	domed cap nut M10 DIN986
4	bolt M10x85 DIN7380
5	pin torx nut M10x20

UNLESS OTHERWISE SPECIFIED:
DIMENSIONS ARE IN MILLIMETERS
WEIGHT ARE IN KILOGRAMM

PART NUMBER / DWG NO.:
OCT009

	NAME	SIGNATURE	DATE	REVISION
DRAWN	M.Rebase		02.06.2025	
APPV'D				

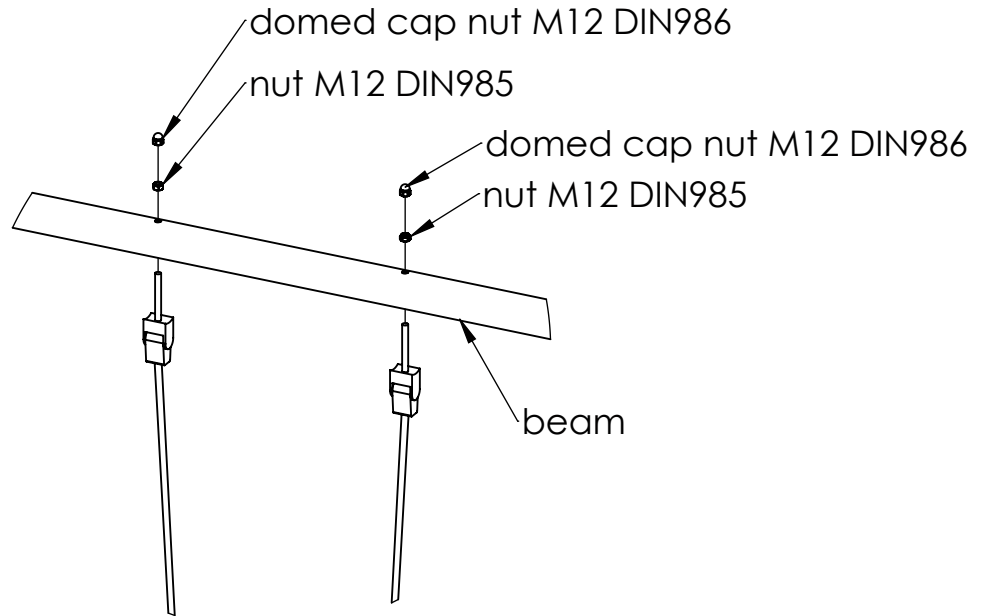
DESCRIPTION:
Swing OCTO 6 seats



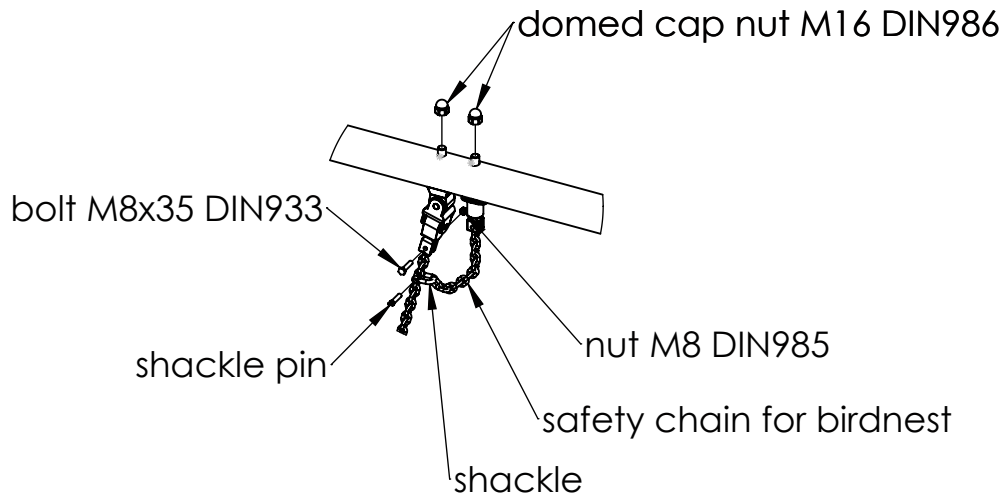
Tiptiptap OÜ

MATERIAL:		A4
WEIGHT:	SCALE: 1:70	SHEET 7 OF 8

connecting seat to beam



connecting bird nest to beam



UNLESS OTHERWISE SPECIFIED:
DIMENSIONS ARE IN MILLIMETERS
WEIGHT ARE IN KILOGRAMM

PART NUMBER / DWG NO.:

OCT009

	NAME	SIGNATURE	DATE	REVISION
DRAWN	M.Rebase		02.06.2025	
APPV'D				

DESCRIPTION:

Swing OCTO 6 seats



Tiptiptap^{ÖÜ}

MATERIAL:

A4

WEIGHT:

SCALE: 1:70

SHEET 8 OF 8