

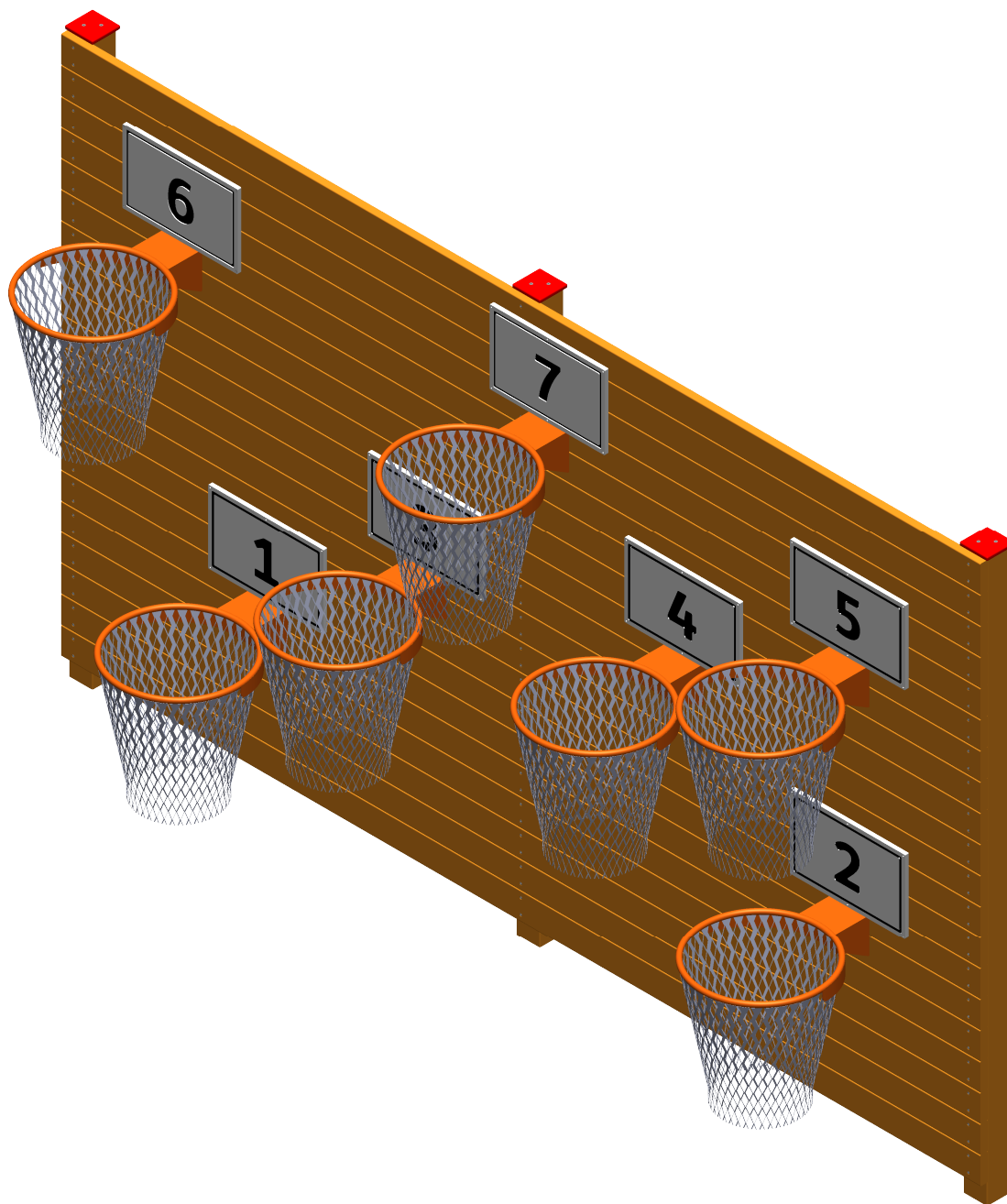
A

B

C

D

E



UNLESS OTHERWISE SPECIFIED:
 DIMENSIONS ARE IN MILLIMETERS
 WEIGHT ARE IN KILOGRAMM

Product code:

PSE005

NAME

SIGNATURE

DATE

DRAWN

M.Kalamees

22/11/2024

DESCRIPTION:

Ball wall 3,75x2,3m



Tiptiptap^{ÖÜ}

A4

WEIGHT:

SCALE: 1:50

SHEET 1 OF 6

Safety area

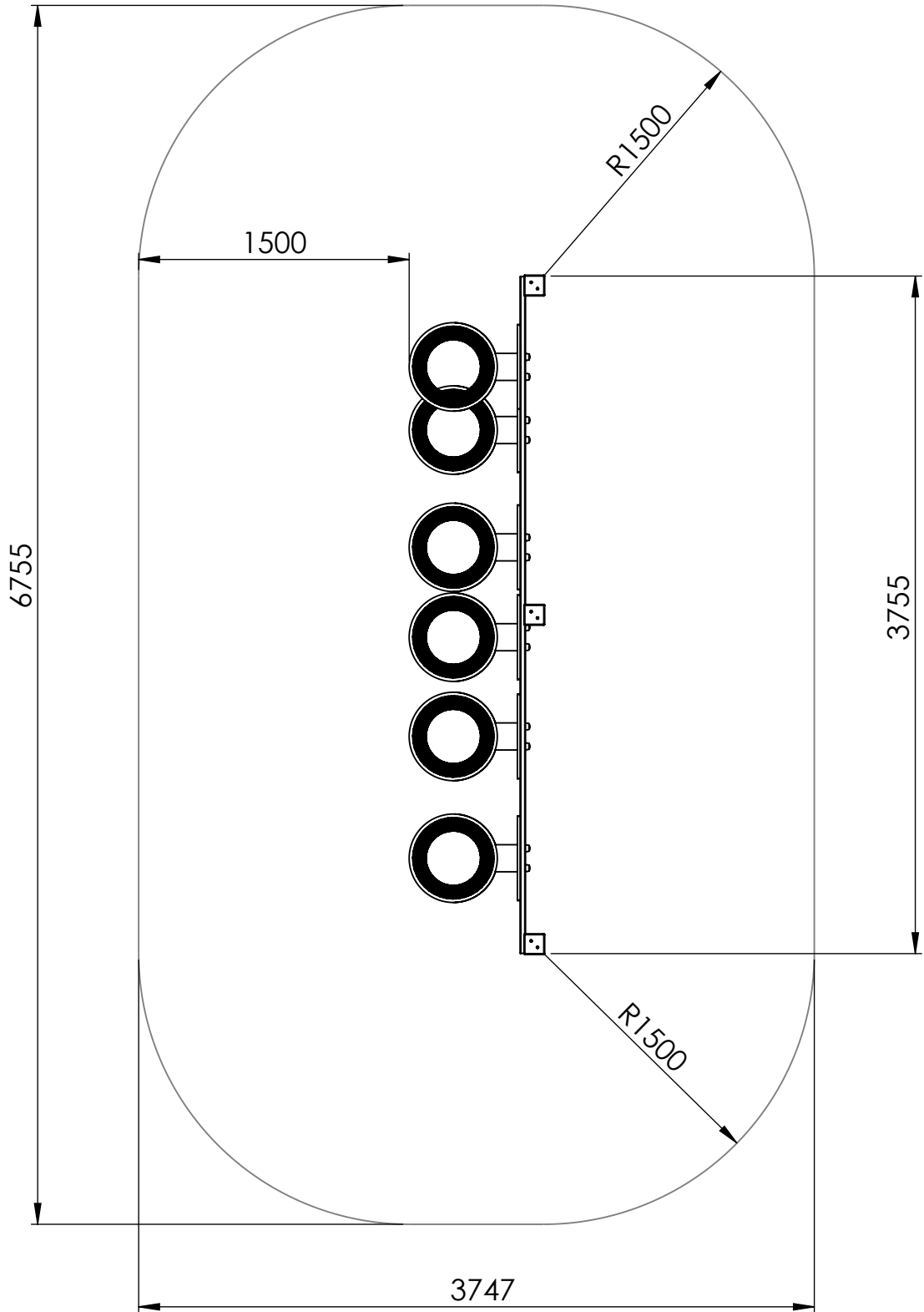
A

B

C

D

E



UNLESS OTHERWISE SPECIFIED:
 DIMENSIONS ARE IN MILLIMETERS
 WEIGHT ARE IN KILOGRAMM

Product code:

PSE005

DESCRIPTION:

Ball wall 3,75x2,3m

	NAME	SIGNATURE	DATE
DRAWN	M.Kalamees		22/11/2024



Tiptap^{ÖÜ}

WEIGHT:

SCALE: 1:50

A4

SHEET 2 OF 6

Foundation

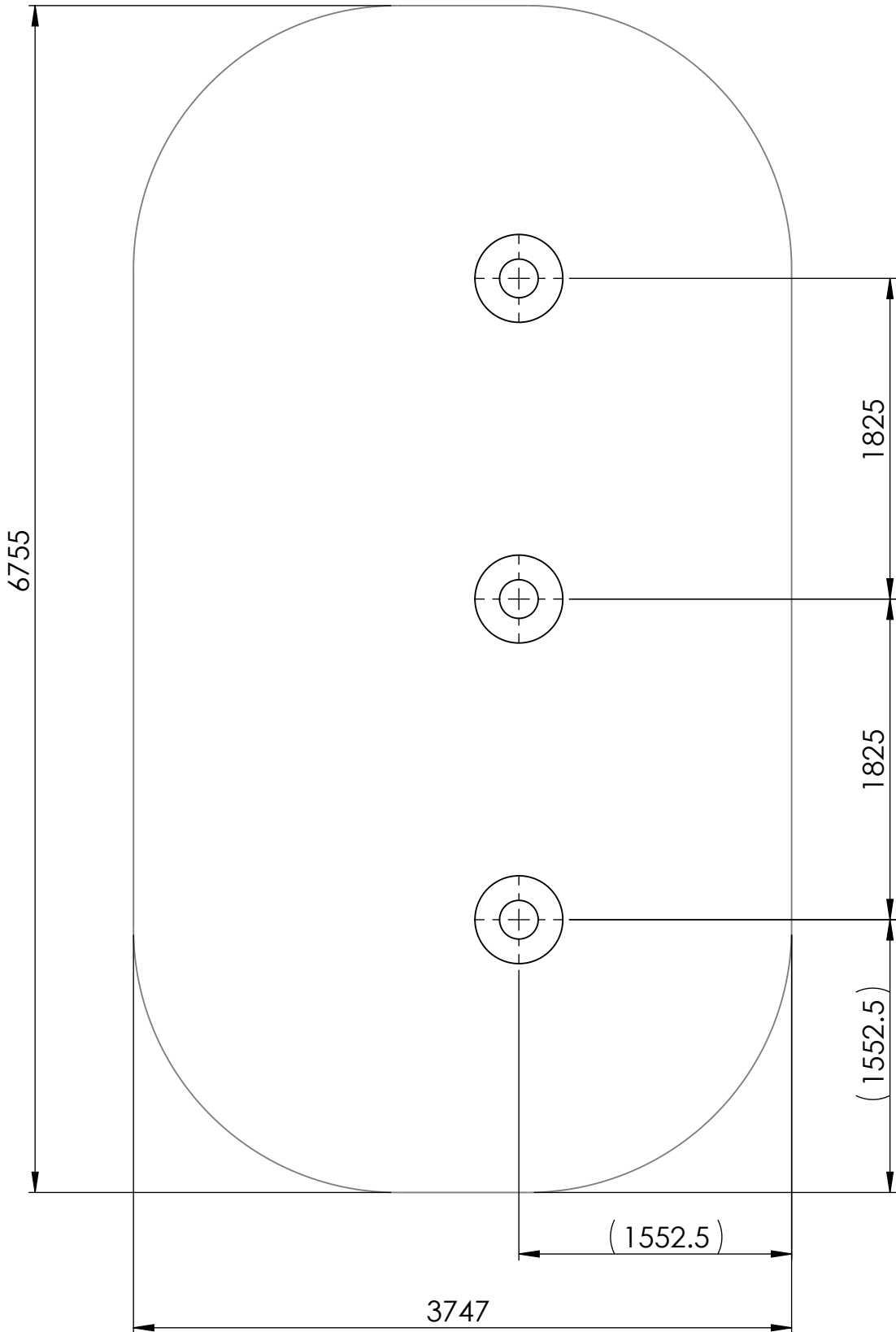
A

B

C

D

E



UNLESS OTHERWISE SPECIFIED:
 DIMENSIONS ARE IN MILLIMETERS
 WEIGHT ARE IN KILOGRAMM

Product code:

PSE005

NAME

SIGNATURE

DATE

DRAWN

M.Kalamees

22/11/2024

DESCRIPTION:

Ball wall 3,75x2,3m

F



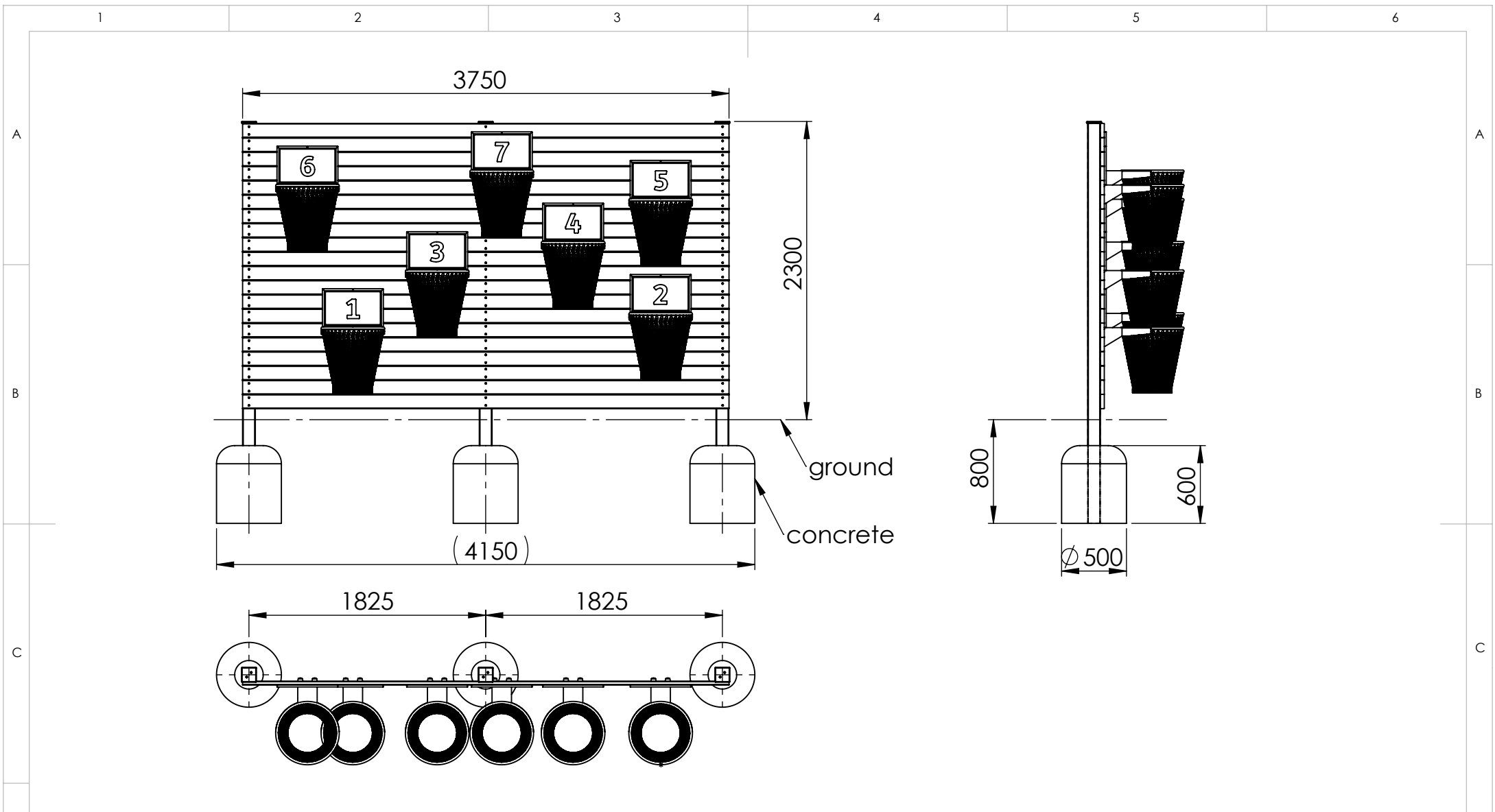
Tiptap ^{ÖÜ}

WEIGHT:

SCALE: 1:50

A4

SHEET 3 OF 6



UNLESS OTHERWISE SPECIFIED:
 DIMENSIONS ARE IN MILLIMETERS
 WEIGHT ARE IN KILOGRAMM

	NAME	SIGNATURE	DATE
DRAWN	M.Kalamees		22/11/2024



Product code: **PSE005**

DESCRIPTION: **Ball wall 3,75x2,3m**

WEIGHT:	SCALE: 1:50	A4
		SHEET 4 OF 6

A

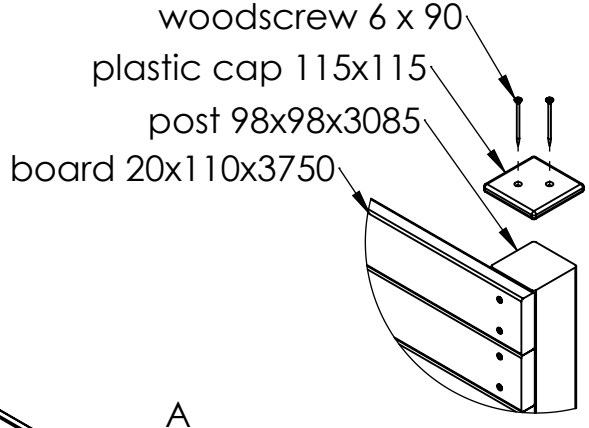
B

C

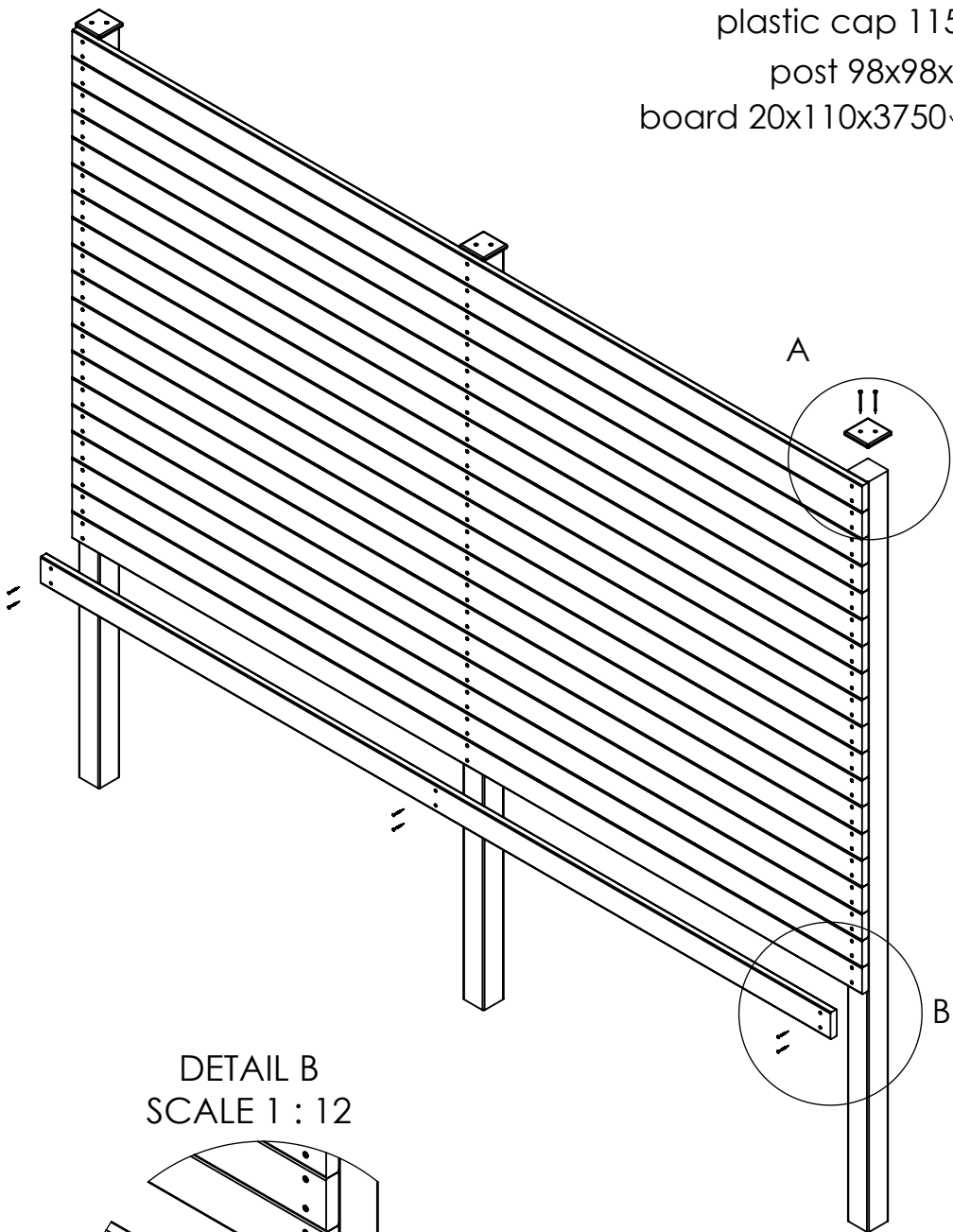
D

E

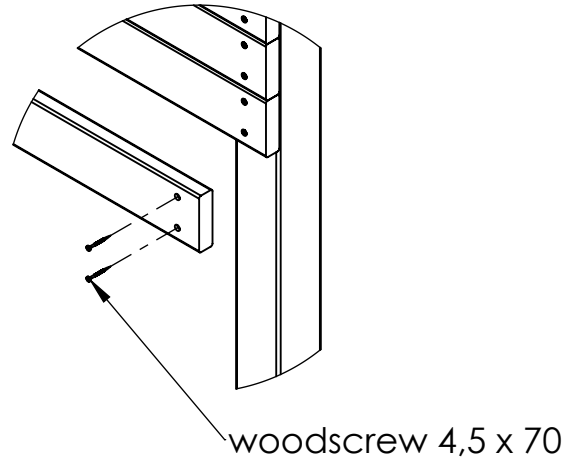
F



DETAIL A
SCALE 1 : 12



DETAIL B
SCALE 1 : 12



UNLESS OTHERWISE SPECIFIED:
DIMENSIONS ARE IN MILLIMETERS
WEIGHT ARE IN KILOGRAMM

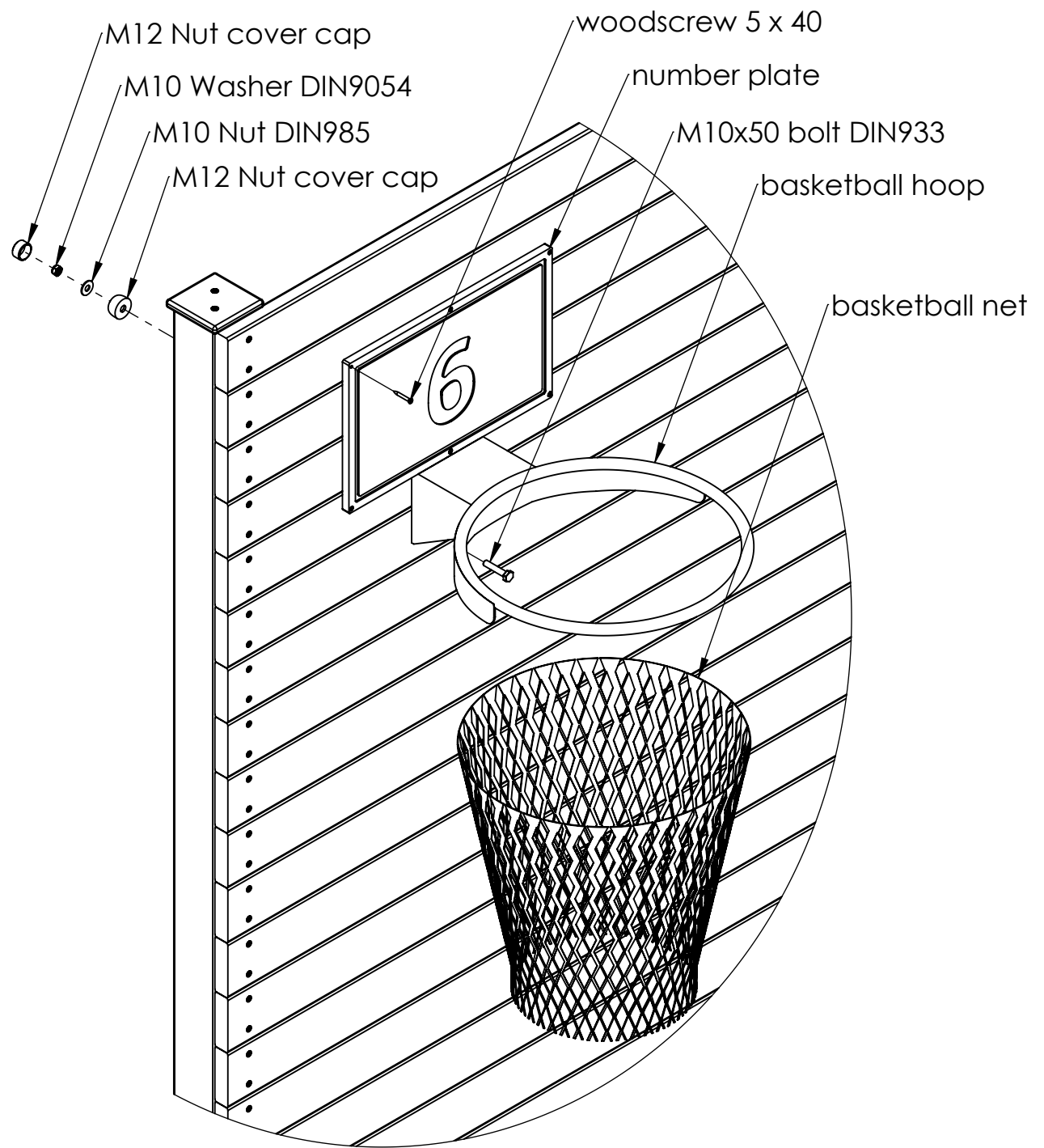
Product code: PSE005

	NAME	SIGNATURE	DATE
DRAWN	M.Kalamees		22/11/2024

DESCRIPTION: Ball wall 3,75x2,3m



WEIGHT:	SCALE: 1:50	A4
		SHEET 5 OF 6



UNLESS OTHERWISE SPECIFIED:
DIMENSIONS ARE IN MILLIMETERS
WEIGHT ARE IN KILOGRAMM

Product code:

PSE005

NAME

SIGNATURE

DATE

DRAWN

M.Kalamees

22/11/2024

DESCRIPTION:

Ball wall 3,75x2,3m



Tiptap ^{ÖÜ}

WEIGHT:

SCALE: 1:50

A4

SHEET 6 OF 6