

A

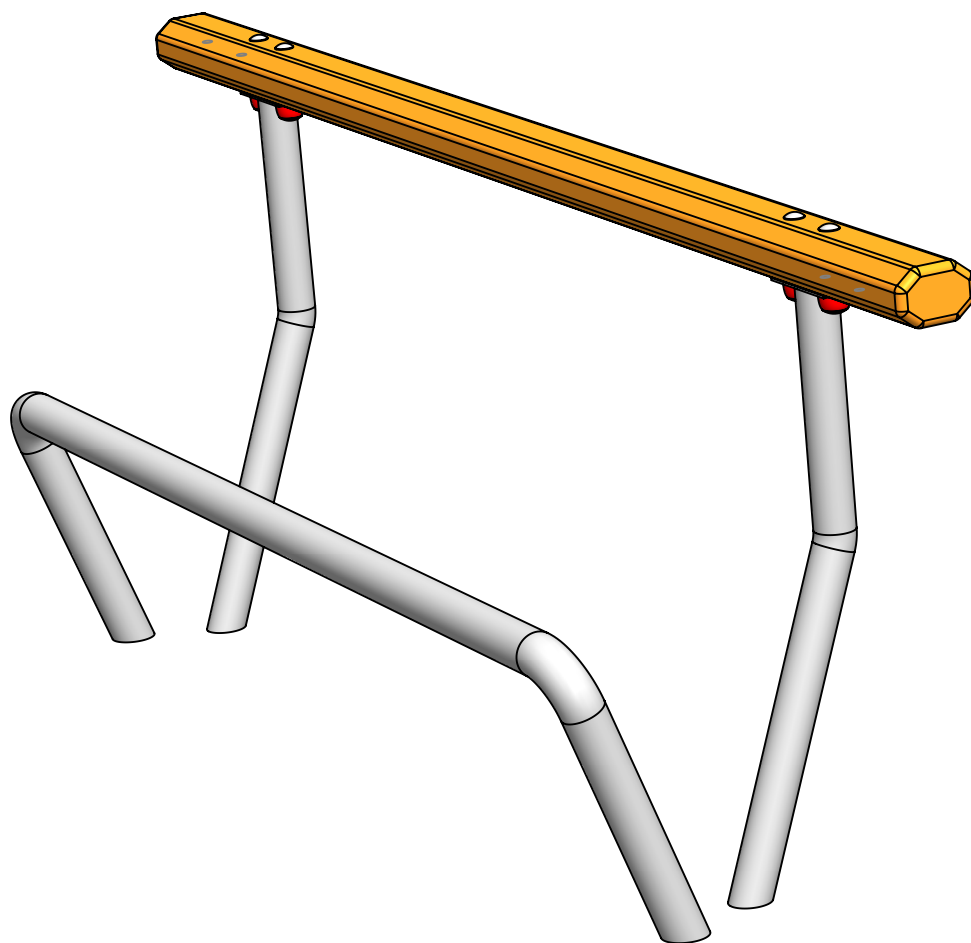
B

C

D

E

F



UNLESS OTHERWISE SPECIFIED:
DIMENSIONS ARE IN MILLIMETERS
WEIGHT ARE IN KILOGRAMM

PART NUMBER / DWG NO.:

HPI 001

	NAME	SIGNATURE	DATE	REVISION
DRAWN	R.Fedotov		12.12.2018	
APPV'D				

DESCRIPTION:

Rest railing



Tiptaptap OÜ

Tiptaptap OÜ
Veetorni 9,
Jüri alevik, Rae vald,
75301 Harjumaa

MATERIAL:

wood, metal

A4

WEIGHT:

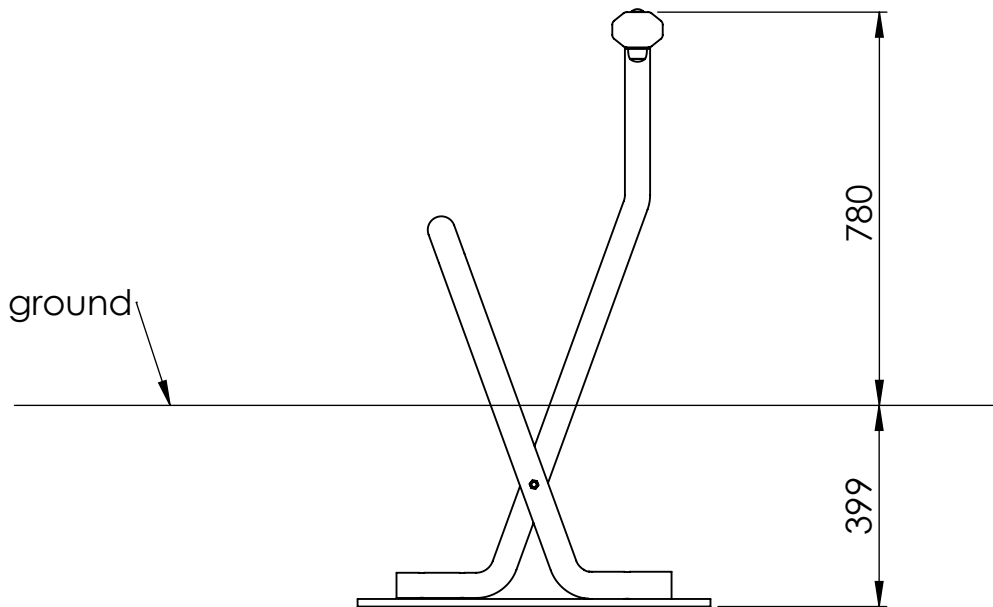
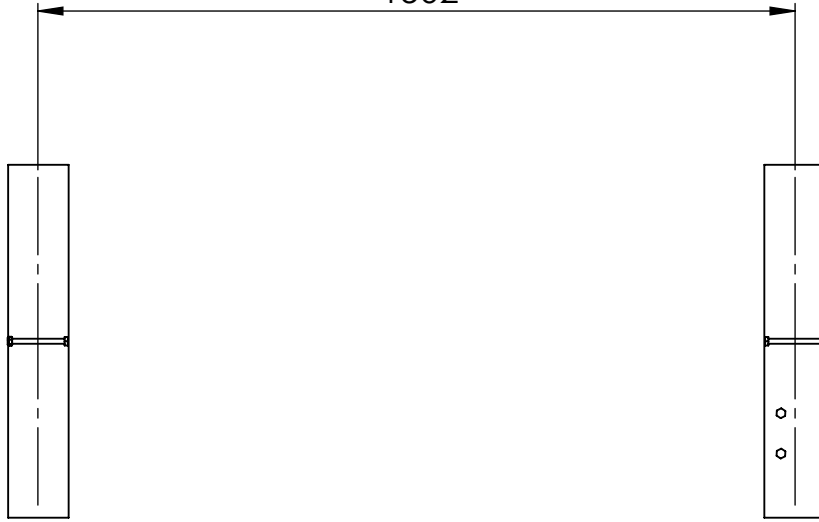
SCALE: 1:8

SHEET 1 OF 5

1 2 3 4

A foundation

1502



UNLESS OTHERWISE SPECIFIED:
DIMENSIONS ARE IN MILLIMETERS
WEIGHT ARE IN KILOGRAMM

PART NUMBER / DWG NO.:

HPI 001

	NAME	SIGNATURE	DATE	REVISION
DRAWN	R.Fedotov		12.12.2018	
APPV'D				

DESCRIPTION:

Rest railing



Tiptaptap OÜ

Tiptaptap OÜ
Veetorni 9,
Jüri alevik, Rae vald,
75301 Harjumaa

MATERIAL:

wood, metal

A4

WEIGHT:

SCALE: 1:15

SHEET 2 OF 5

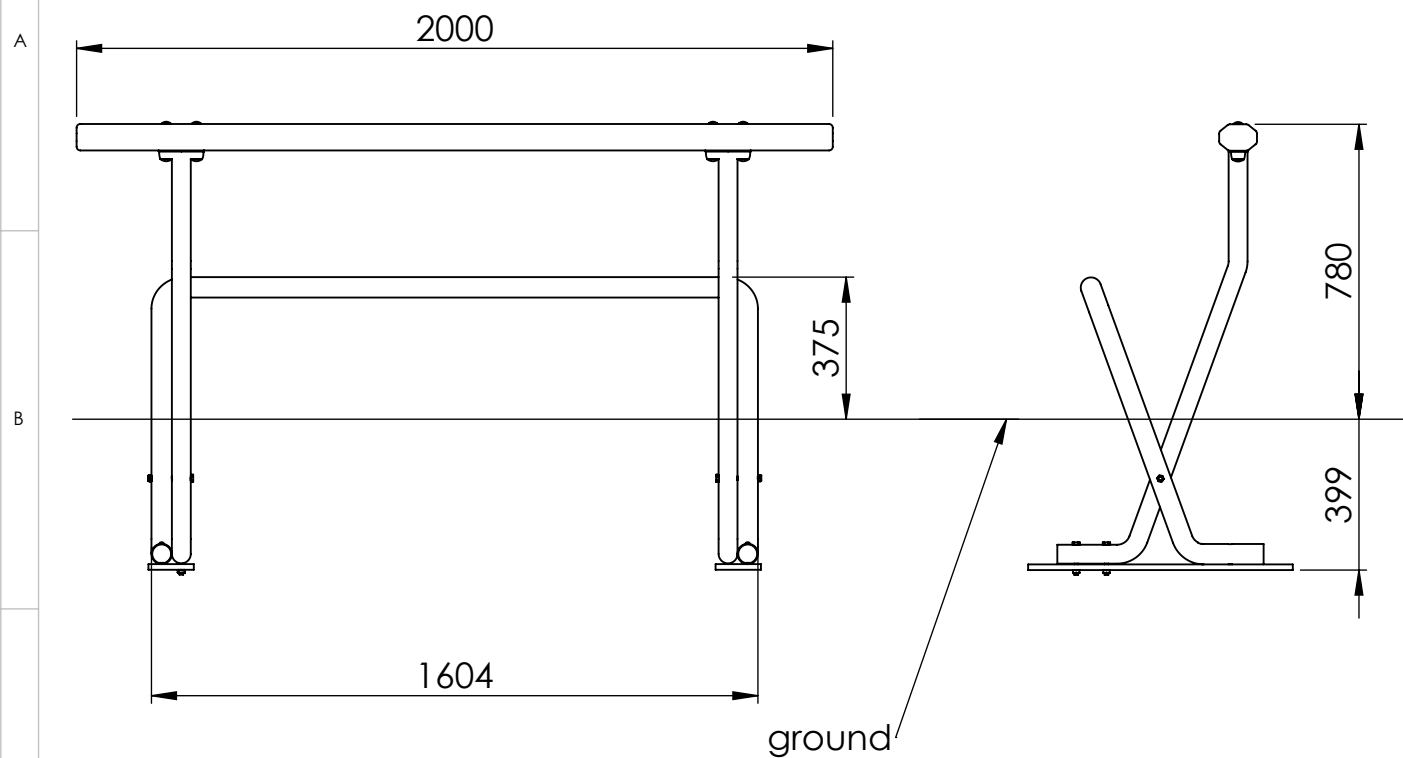
F

1

2

3

4



C

D

E

F

UNLESS OTHERWISE SPECIFIED:
DIMENSIONS ARE IN MILLIMETERS
WEIGHT ARE IN KILOGRAMM

PART NUMBER / DWG NO.:

HPI 001

	NAME	SIGNATURE	DATE	REVISION
DRAWN	R.Fedotov		12.12.2018	
APPV'D				

DESCRIPTION:

Rest railing



Tiptaptap OÜ

Tiptaptap OÜ
Veetorni 9,
Jüri alevik, Rae vald,
75301 Harjumaa

MATERIAL:

wood, metal

A4

WEIGHT:

SCALE: 1:20

SHEET 3 OF 5

A

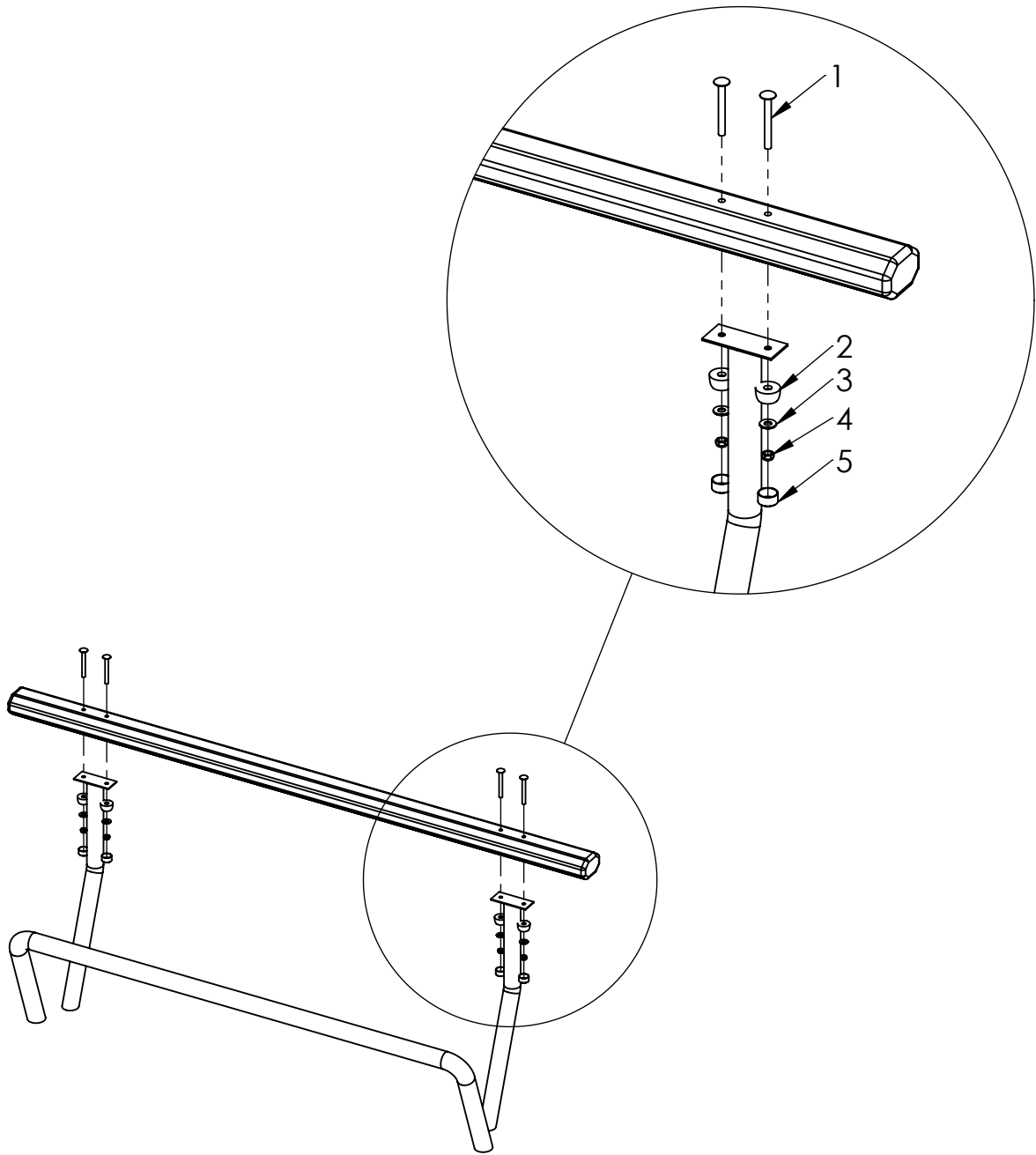
B

C

D

E

F



ITEM NO.	PART NUMBER
1	bolt DIN603 M10x90
2	nut cover M12
3	Washer M10 DIN9054
4	nut DIN985 M10
5	nut cover cap M12

UNLESS OTHERWISE SPECIFIED:
 DIMENSIONS ARE IN MILLIMETERS
 WEIGHT ARE IN KILOGRAMM

	NAME	SIGNATURE	DATE	REVISION
DRAWN	R.Fedotov		12.12.2018	
APPV'D				

PART NUMBER / DWG NO.: **HPI 001**

DESCRIPTION: **Rest railing**



Tiptaptap OÜ

Tiptaptap OÜ
 Veetorni 9,
 Jüri alevik, Rae vald,
 75301 Harjumaa

MATERIAL: **wood, metal** A4

WEIGHT: SCALE: 1:20 SHEET 4 OF 5

A

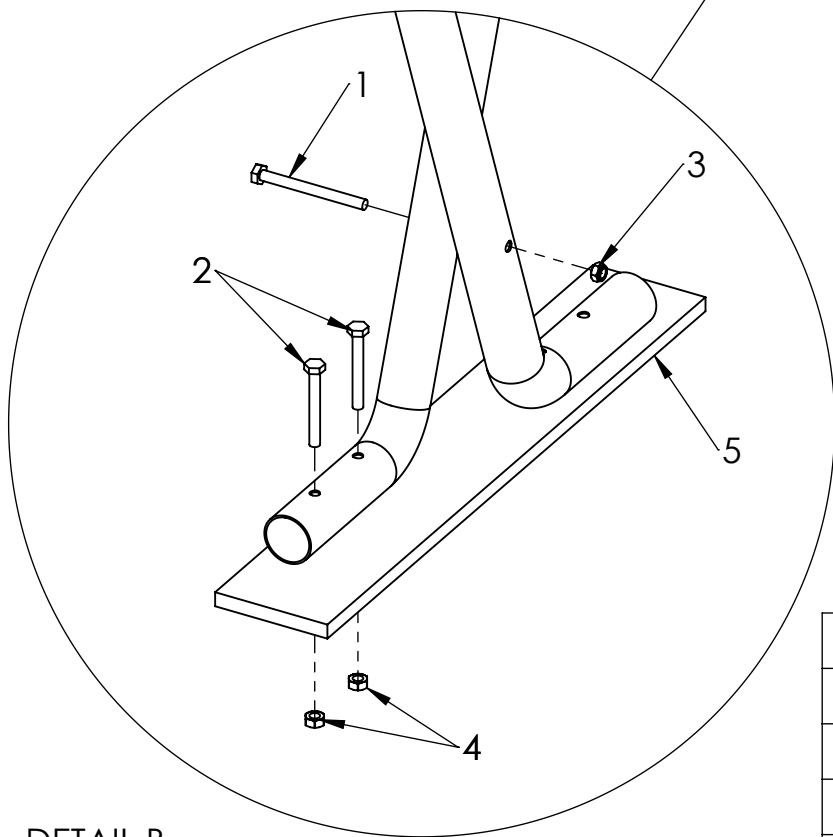
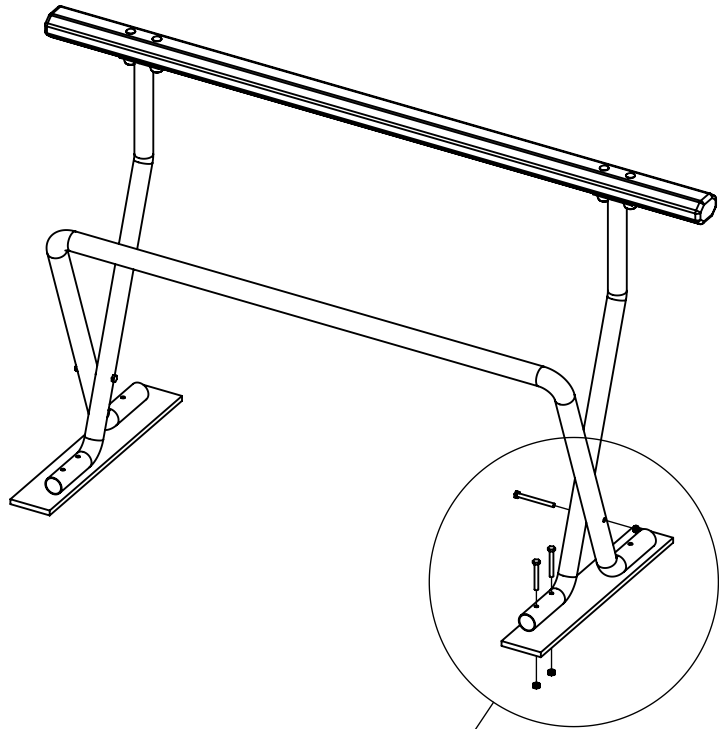
B

C

D

E

F



DETAIL B
SCALE 1 : 7

ITEM NO.	PART NUMBER
1	bolt DIN931 M10x110
2	bolt DIN931 M10x80
3	nut DIN985 M10
4	Nut M10 DIN 934
5	Plastic 120x700

UNLESS OTHERWISE SPECIFIED:
DIMENSIONS ARE IN MILLIMETERS
WEIGHT ARE IN KILOGRAMM

PART NUMBER / DWG NO.:

HPI 001

	NAME	SIGNATURE	DATE	REVISION
DRAWN	R.Fedotov		09.05.2019	
APPV'D				

DESCRIPTION:

Rest railing



Tiptiptap OÜ

Tiptiptap OÜ
Veetorni 9,
Jüri alevik, Rae vald,
75301 Harjumaa

MATERIAL:

wood, metal

A4

WEIGHT:

SCALE: 1:20

SHEET 5 OF 5