

A

B

C

D

E

F



UNLESS OTHERWISE SPECIFIED:
 DIMENSIONS ARE IN MILLIMETERS
 WEIGHT ARE IN KILOGRAMM

PART NUMBER / DWG NO.:

LMK100

	NAME	SIGNATURE	DATE	REVISION
DRAWN	E.Reispere		31.10.2023	
APPVD				

DESCRIPTION:

Sand play complex with platform



Tiptiptap ^{OO}

MATERIAL:

wood, metal, plastic

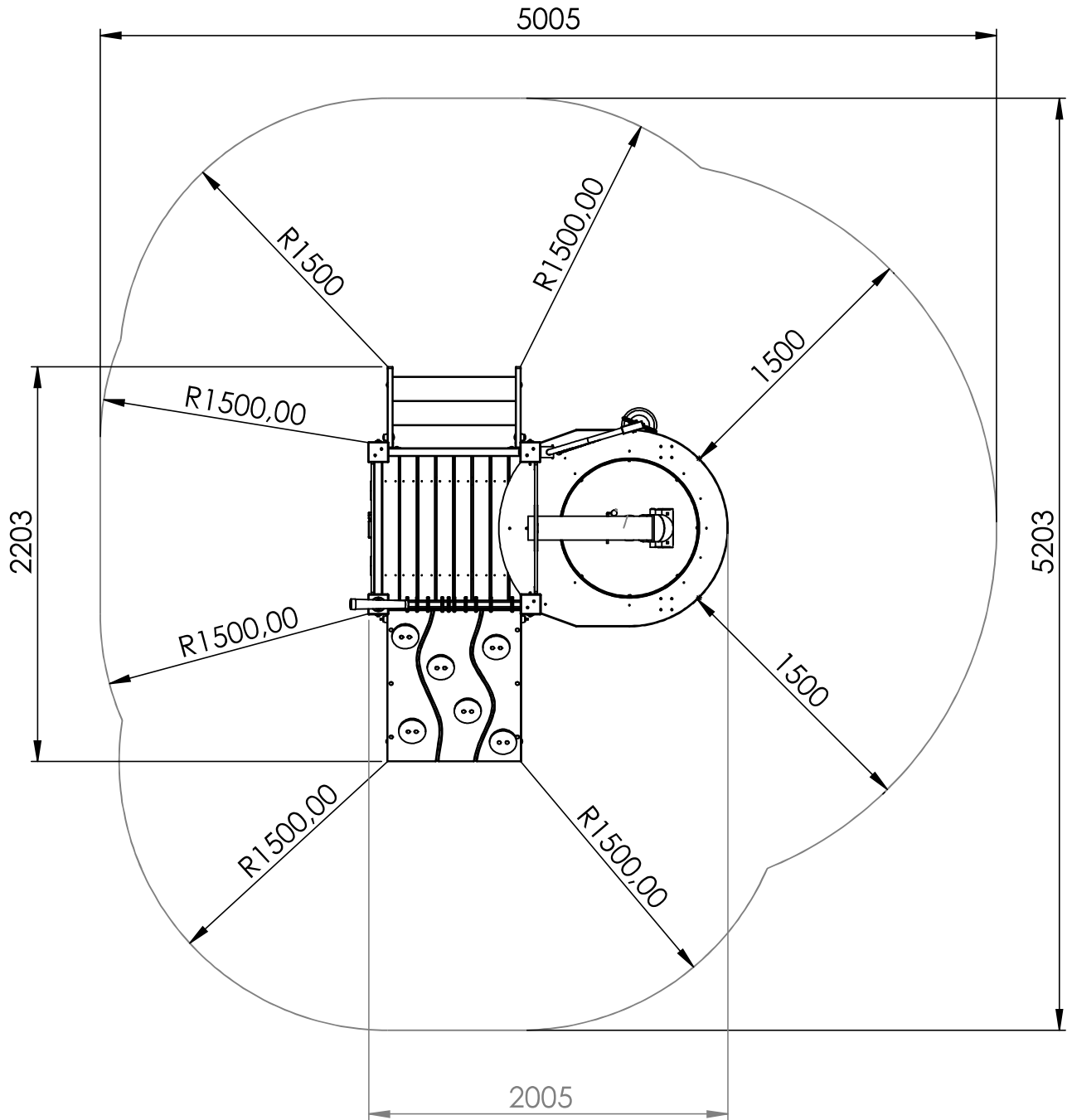
A4

WEIGHT:

SCALE: 1:8

SHEET 1 OF 40

safety area



UNLESS OTHERWISE SPECIFIED:
DIMENSIONS ARE IN MILLIMETERS
WEIGHT ARE IN KILOGRAMM

PART NUMBER / DWG NO.:

LMK100

	NAME	SIGNATURE	DATE	REVISION
DRAWN	E.Reispere		31.10.2023	
APPV'D				

DESCRIPTION:

Sand play complex with platform

MATERIAL:

wood, metal, plastic

A4

WEIGHT:

SCALE: 1:8

SHEET 2 OF 40



Tiptiptap ⁰⁰

foundation

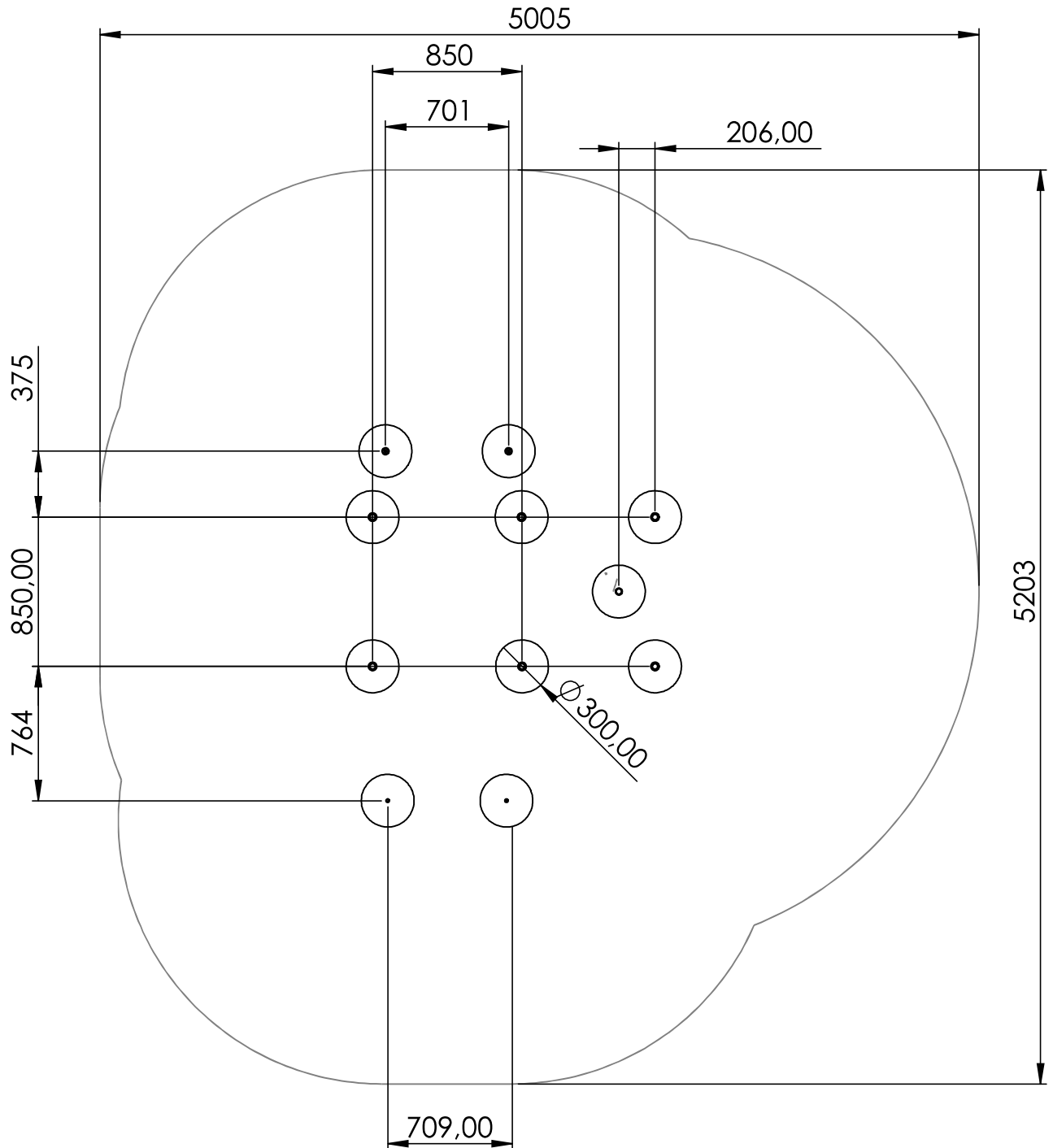
A

B

C

D

E



UNLESS OTHERWISE SPECIFIED:
DIMENSIONS ARE IN MILLIMETERS
WEIGHT ARE IN KILOGRAMM

PART NUMBER / DWG NO.:
LMK100

	NAME	SIGNATURE	DATE	REVISION
DRAWN	E.Reispere		31.10.2023	
APPVD				

DESCRIPTION:
Sand play complex with platform



MATERIAL:	wood, metal, plastic	A4
WEIGHT:		SCALE: 1:8
		SHEET 3 OF 40

dimensions

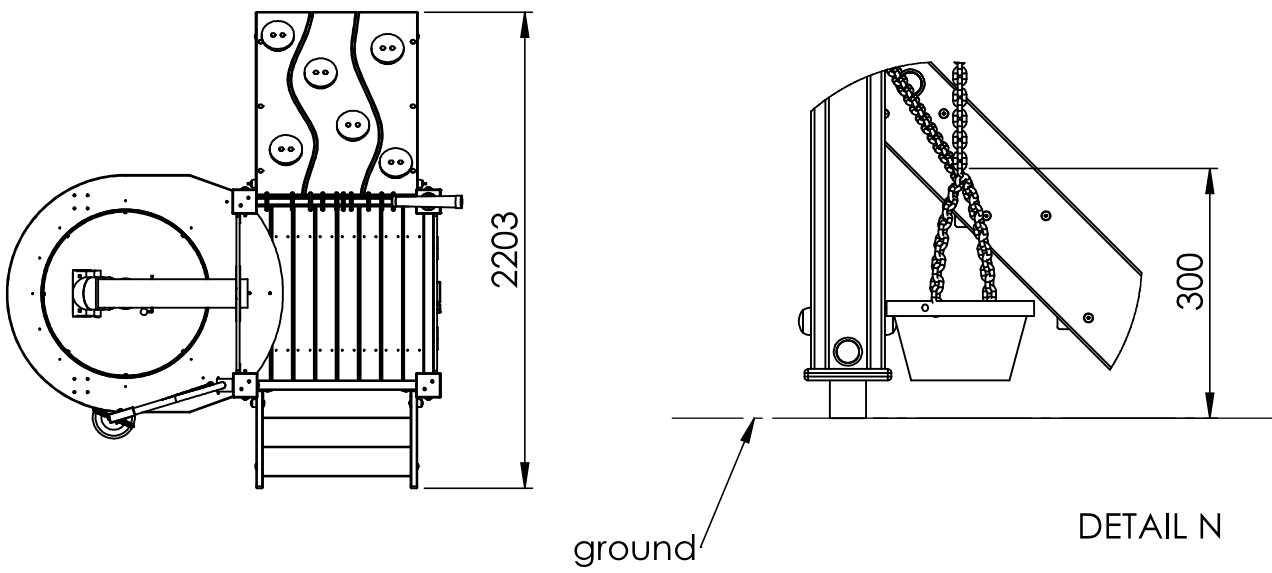
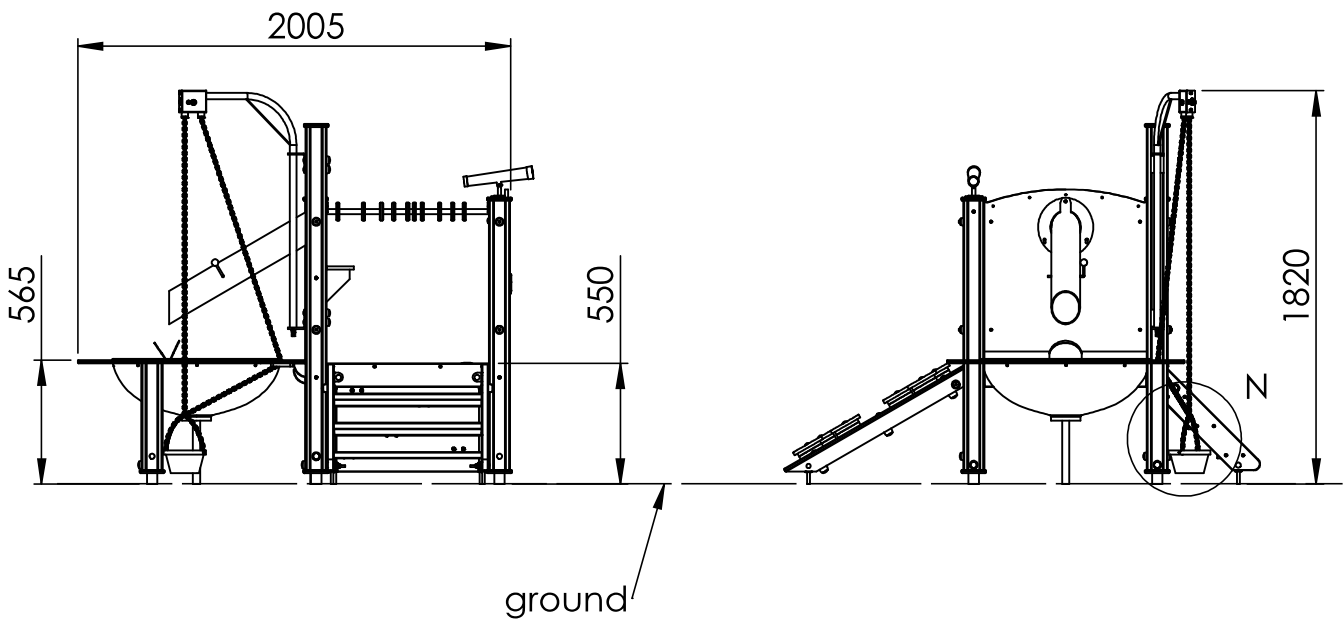
A

B

C

D

E



UNLESS OTHERWISE SPECIFIED: DIMENSIONS ARE IN MILLIMETERS WEIGHT ARE IN KILOGRAMM				
	NAME	SIGNATURE	DATE	REVISION
DRAWN	E.Reispere		31.10.2023	
APPV'D				

PART NUMBER / DWG NO.:	LMK100		
DESCRIPTION:	Sand play complex with platform		

Tiptiptap ⁰⁰

MATERIAL:	wood, metal, plastic	A4
WEIGHT:	SCALE: 1:8	SHEET 4 OF 40

post locations

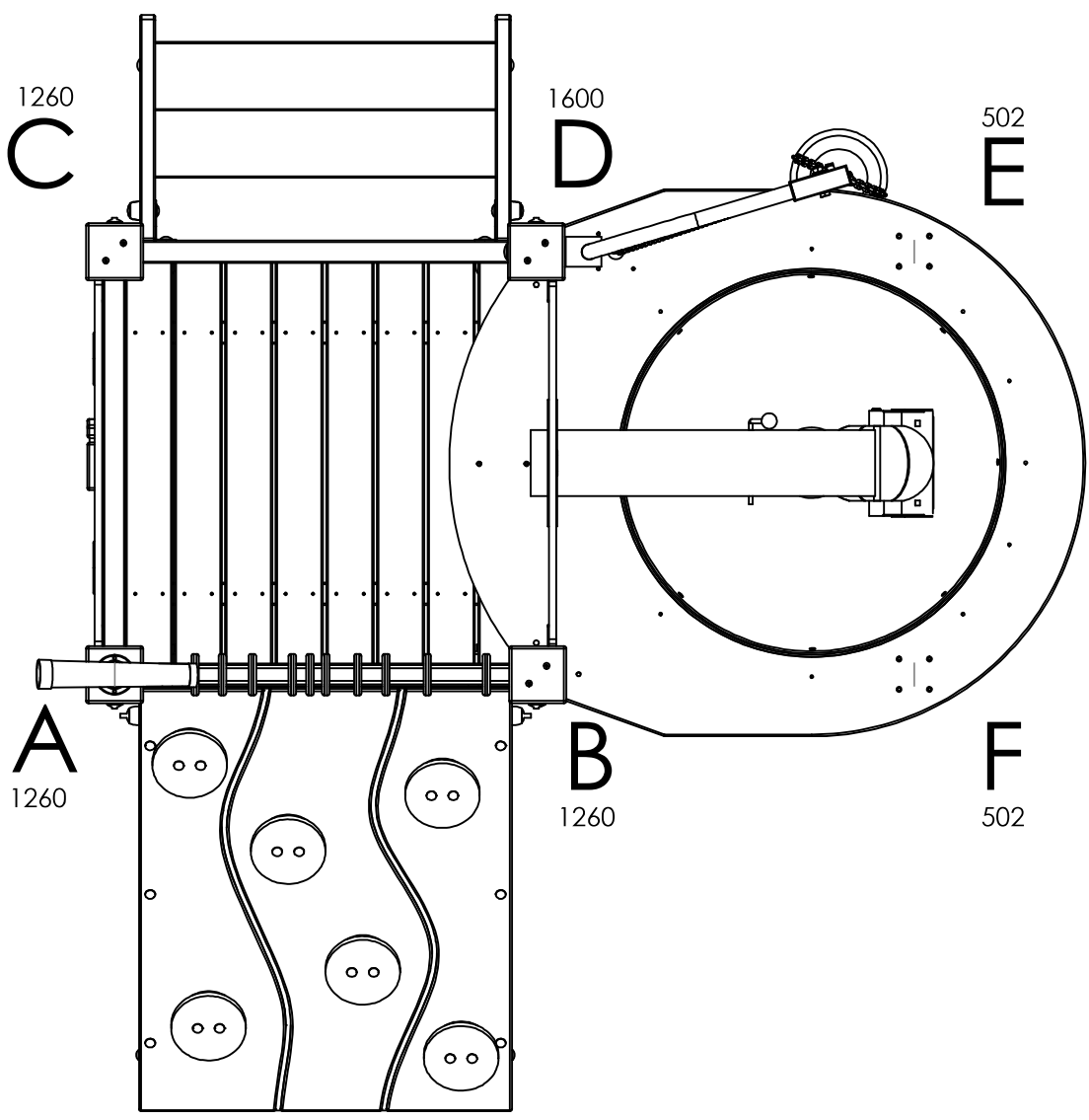
A

B

C

D

E



UNLESS OTHERWISE SPECIFIED:
 DIMENSIONS ARE IN MILLIMETERS
 WEIGHT ARE IN KILOGRAMM

	NAME	SIGNATURE	DATE	REVISION
DRAWN	E.Reispere		31.10.2023	
APPV'D				

PART NUMBER / DWG NO.:
LMK100

DESCRIPTION:
Sand play complex with platform

MATERIAL:
 wood, metal, plastic



WEIGHT: SCALE: 1:8 SHEET 5 OF 40

F

AL post

A

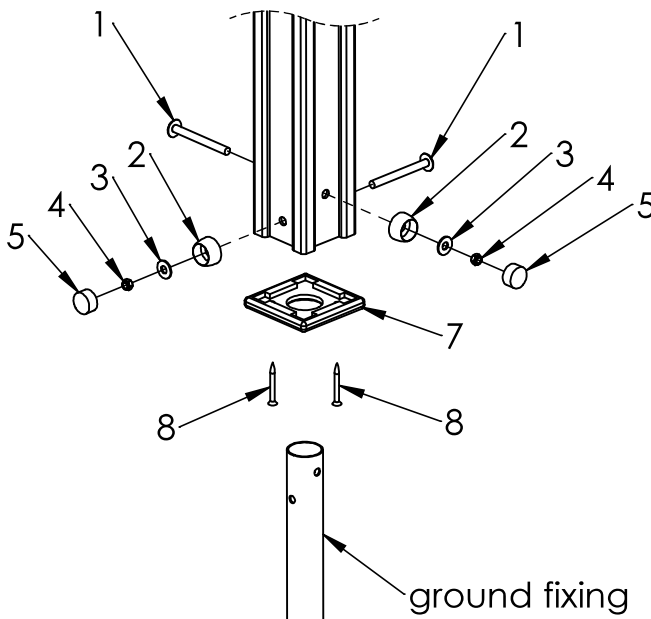
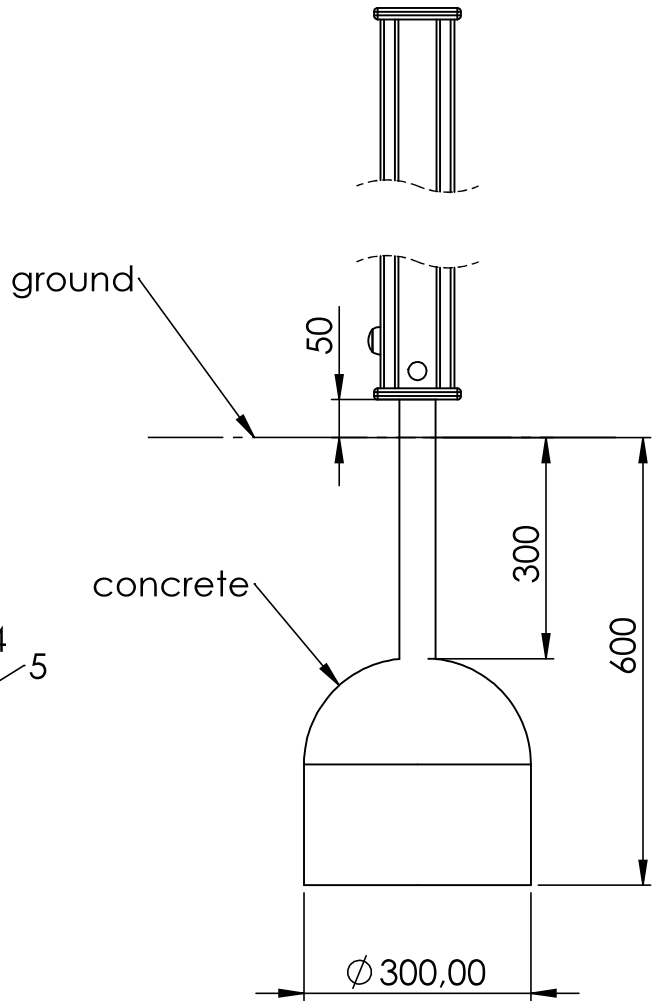
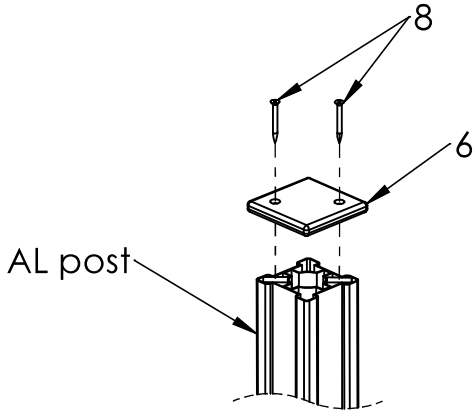
B

C

D

E

F



ITEM NO.	DESCRIPTION
1	bolt M10x100 DIN603
2	nut cover M12 R
3	washer M10 DIN9054
4	nut M8 DIN985
5	nut cover cap M12
6	plastic cap 115x115
7	plastic cap 115x115 with hole
8	wood screw PP 6 x 60

UNLESS OTHERWISE SPECIFIED:
DIMENSIONS ARE IN MILLIMETERS
WEIGHT ARE IN KILOGRAMM

PART NUMBER / DWG NO.:

LMK100

	NAME	SIGNATURE	DATE	REVISION
DRAWN	E.Reispere		31.10.2023	
APPV'D				

DESCRIPTION:

Sand play complex with platform

MATERIAL:

wood, metal, plastic

A4

WEIGHT:

SCALE: 1:50

SHEET 6 OF 40



Tiptiptap OÜ

Wood profile post gap and groundfixing assembly

A

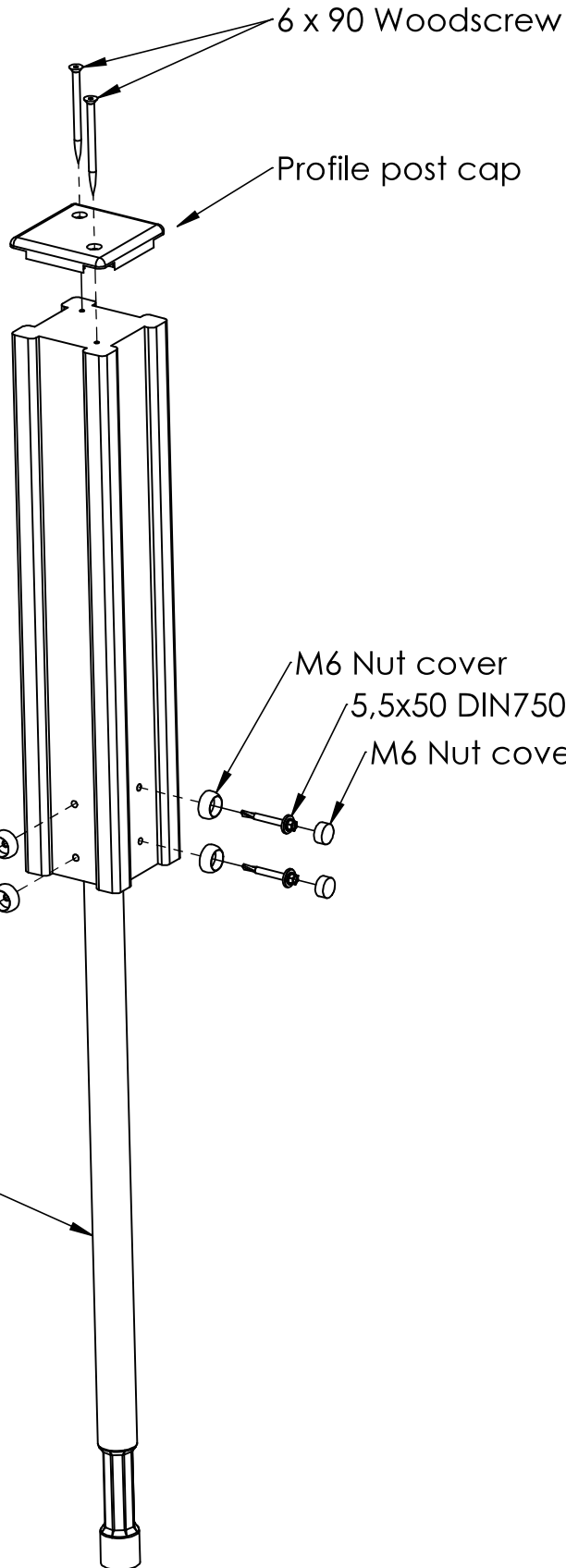
B

C

D

E

F



6 x 90 Woodscrew

Profile post cap

M6 Nut cover

5,5x50 DIN7504-K

M6 Nut cover cap

metal groundfixing

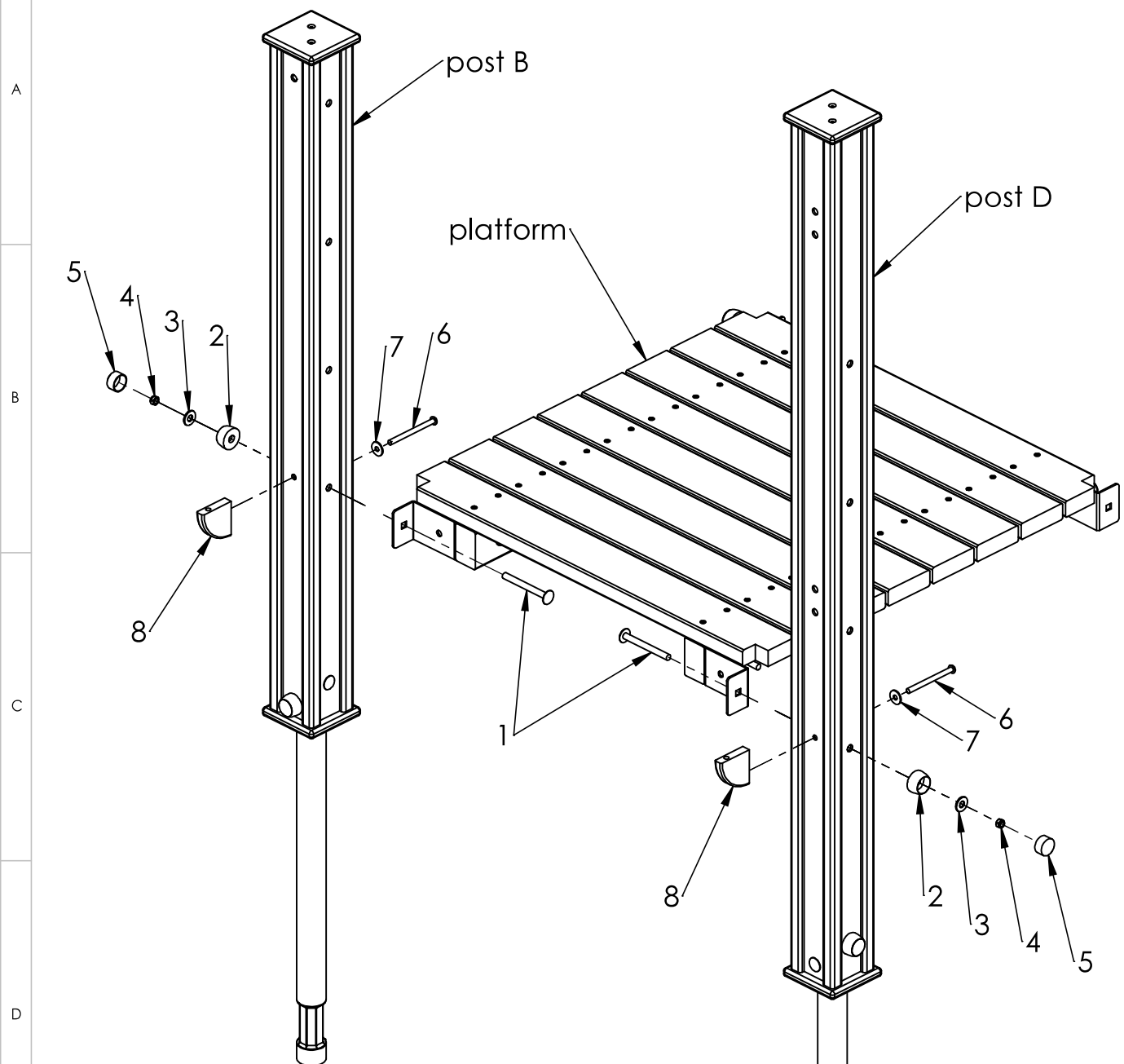
UNLESS OTHERWISE SPECIFIED:
DIMENSIONS ARE IN MILLIMETERS
WEIGHT ARE IN KILOGRAMM

	NAME	SIGNATURE	DATE	REVISION
DRAWN	E.Reispere		31.10.2023	
APPV'D				

PART NUMBER / DWG NO.:	LM010
DESCRIPTION:	Play centre Brita



MATERIAL:	wood, metal, plastic	A4
WEIGHT:		SHEET 7 OF 40
	SCALE: 1:6	



ITEM NO.	DESCRIPTION
1	bolt M10x100 DIN603
2	nut cover M12 R
3	washer M10 DIN9054
4	nut M8 DIN985
5	nut cover cap M12
6	bolt M8x100 DIN7380
7	washer M8 DIN9021
8	plastic corner 90°

UNLESS OTHERWISE SPECIFIED:
DIMENSIONS ARE IN MILLIMETERS
WEIGHT ARE IN KILOGRAMM

PART NUMBER / DWG NO.:

LMK100

	NAME	SIGNATURE	DATE	REVISION
DRAWN	E.Reispere		31.10.2023	
APPV'D				

DESCRIPTION:

Sand play complex with platform

MATERIAL:

wood, metal, plastic

A4

WEIGHT:

SCALE: 1:8

SHEET 8 OF 40



Tiptiptap OÜ

A

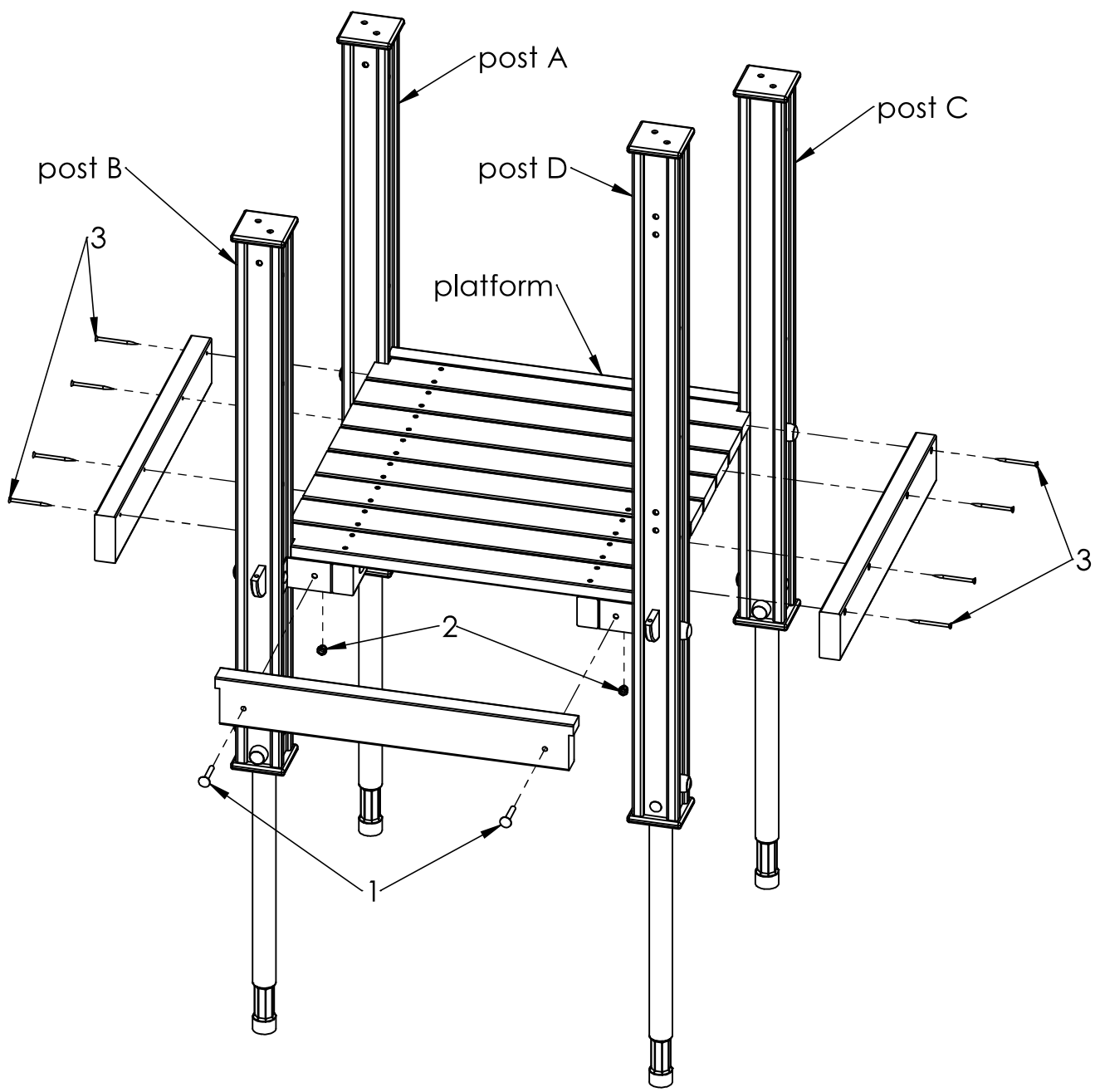
B

C

D

E

F



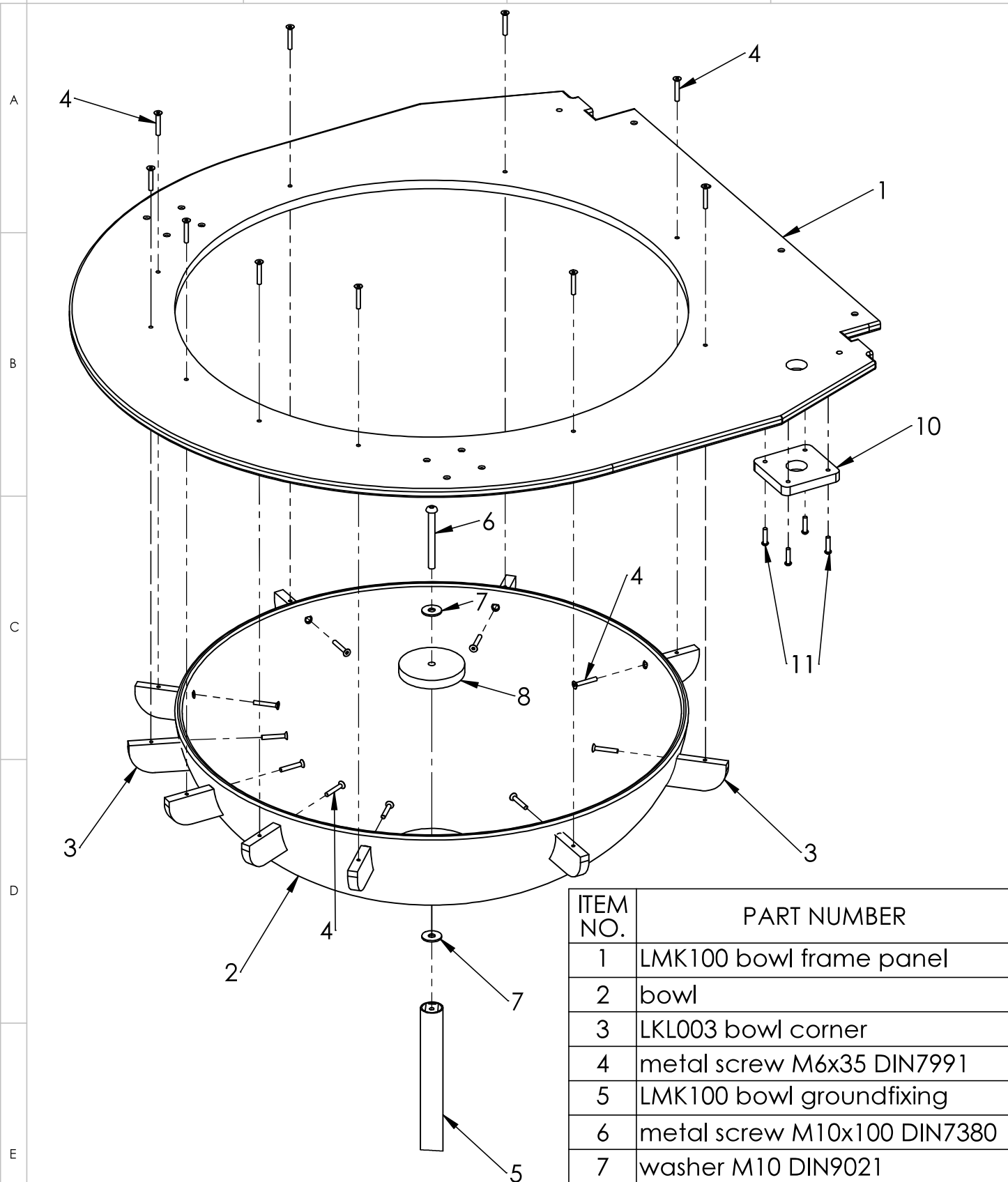
ITEM NO.	DESCRIPTION
1	bolt M10x60 DIN603
2	domed cap nut M10 DIN986
3	woodscrew PP 6 x 90

UNLESS OTHERWISE SPECIFIED: DIMENSIONS ARE IN MILLIMETERS WEIGHT ARE IN KILOGRAMM				
	NAME	SIGNATURE	DATE	REVISION
DRAWN	E.Reispere		31.10.2023	
APPV'D				

PART NUMBER / DWG NO.:	LMK100		
DESCRIPTION:	Sand play complex with platform		



MATERIAL:	wood, metal, plastic	A4
WEIGHT:	SCALE: 1:8	SHEET 9 OF 40



ITEM NO.	PART NUMBER
1	LMK100 bowl frame panel
2	bowl
3	LKL003 bowl corner
4	metal screw M6x35 DIN7991
5	LMK100 bowl groundfixing
6	metal screw M10x100 DIN7380
7	washer M10 DIN9021
8	LMK100 plastic washer 100
10	LMK100 table support
11	bolt M6x25 DIN7380

UNLESS OTHERWISE SPECIFIED:
DIMENSIONS ARE IN MILLIMETERS
WEIGHT ARE IN KILOGRAMM

PART NUMBER / DWG NO.:

LMK100

	NAME	SIGNATURE	DATE	REVISION
DRAWN	E.Reispere		31.10.2023	
APPV'D				

DESCRIPTION:

Sand play complex with platform

MATERIAL:

wood, metal, plastic

A4

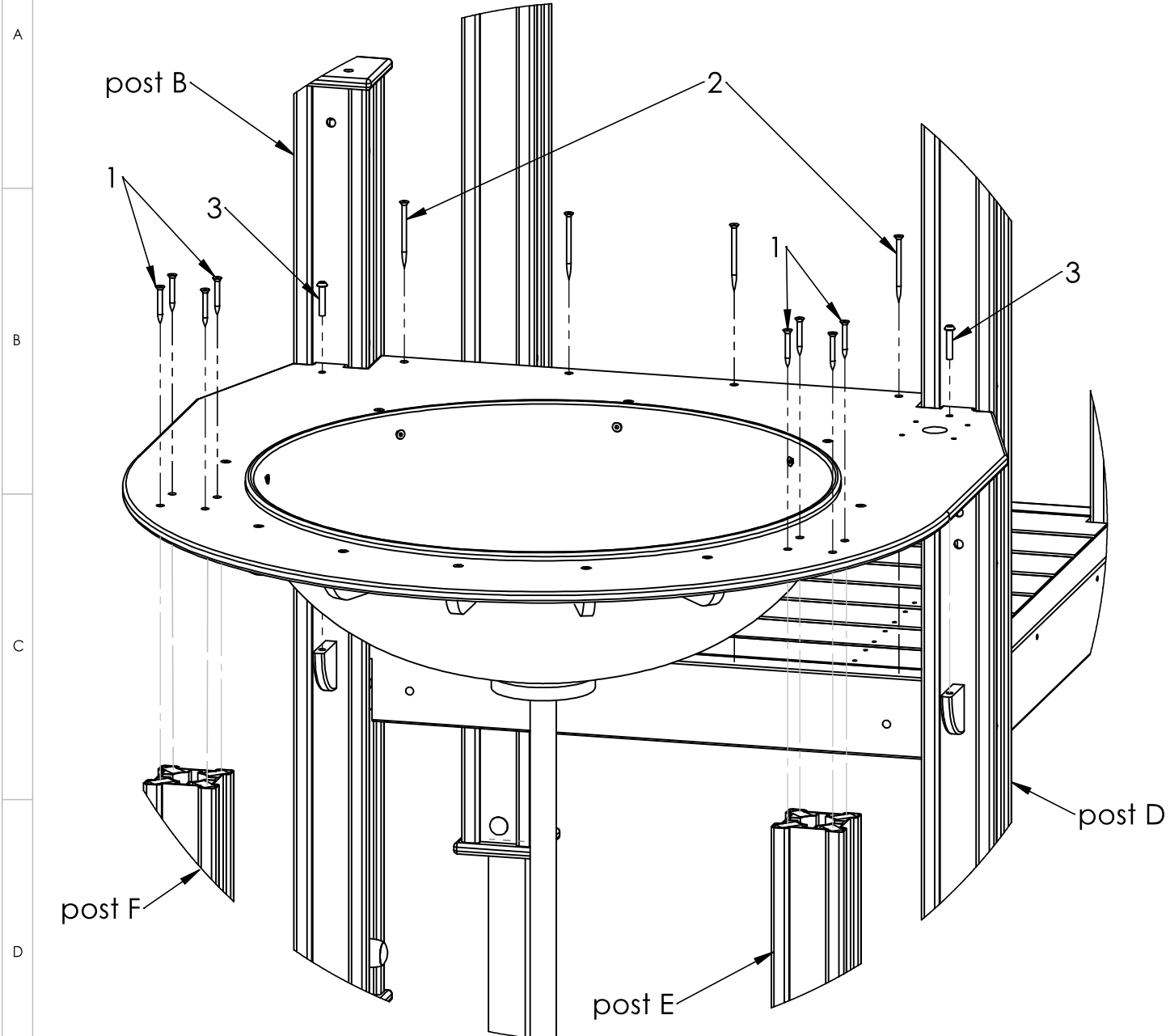
WEIGHT:

SCALE: 1:8

SHEET 10 OF 40



Tiptap OÜ



A

B

C

D

E

F

Important:
 On wood posts, use a Item NO. 1
 instead of a wood screw PP 6x90

ITEM NO.	DESCRIPTION
1	wood screw PP 6 x 60
2	wood screw PP 6 x 90
3	bolt M8x40 Art.9121

UNLESS OTHERWISE SPECIFIED: DIMENSIONS ARE IN MILLIMETERS WEIGHT ARE IN KILOGRAMM				
	NAME	SIGNATURE	DATE	REVISION
DRAWN	E.Reispere		31.10.2023	
APPV'D				

PART NUMBER / DWG NO.:		LMK100	
DESCRIPTION: Sand play complex with platform			
MATERIAL:		wood, metal, plastic	A4
WEIGHT:		SCALE: 1:8	SHEET 11 OF 40



A

connecting the bowl panel to the platform

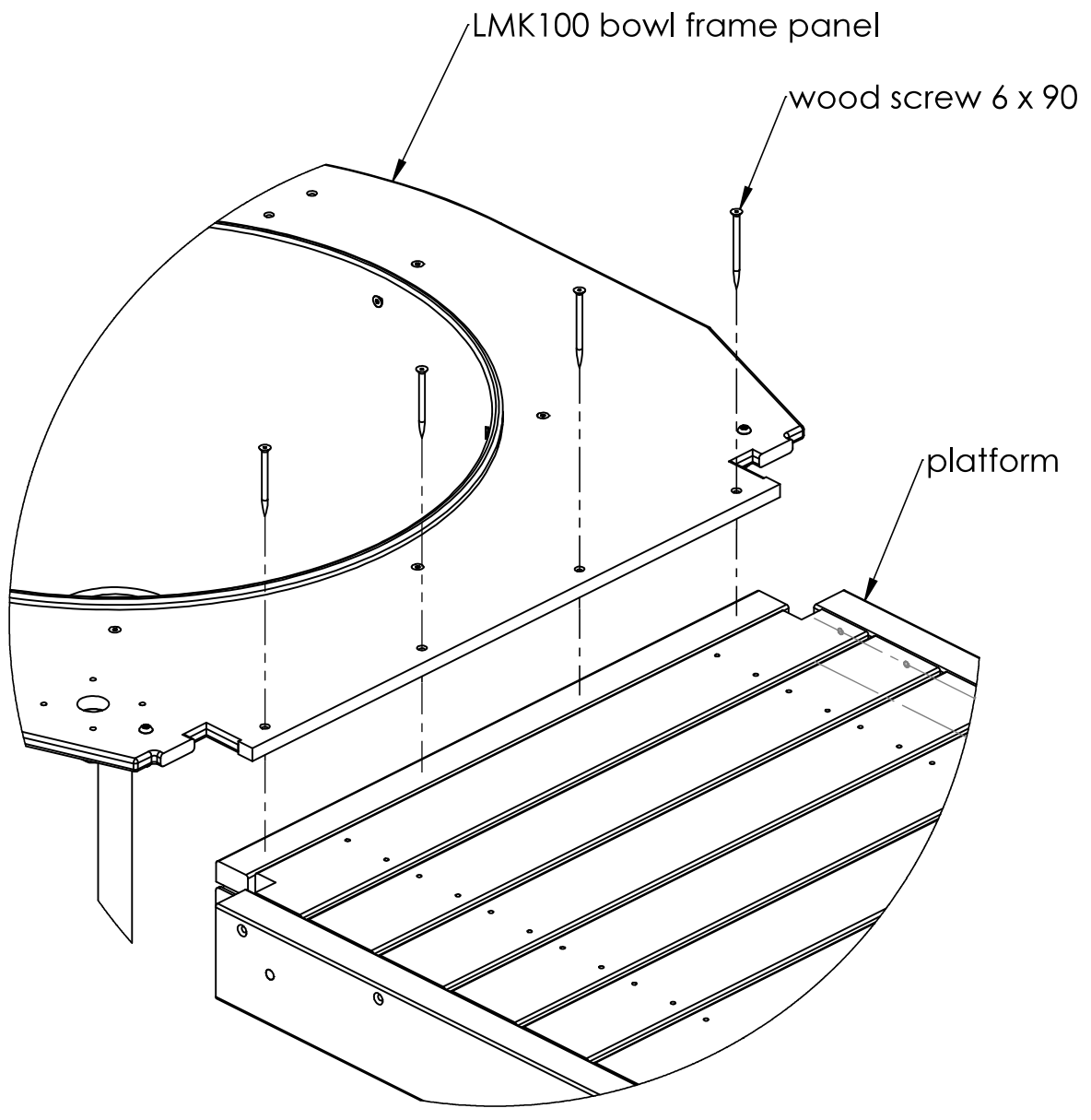
B

C

D

E

F



Important: drill through the panel with a Ø4mm drill bit

UNLESS OTHERWISE SPECIFIED: DIMENSIONS ARE IN MILLIMETERS WEIGHT ARE IN KILOGRAMM				
	NAME	SIGNATURE	DATE	REVISION
DRAWN	E.Reispere		31.10.2023	
APPV'D				

PART NUMBER / DWG NO.:	LMK100		
DESCRIPTION:	Sand play complex with platform		



MATERIAL:	wood, metal, plastic	A4
WEIGHT:	SCALE: 1:8	SHEET 12 OF 40

A

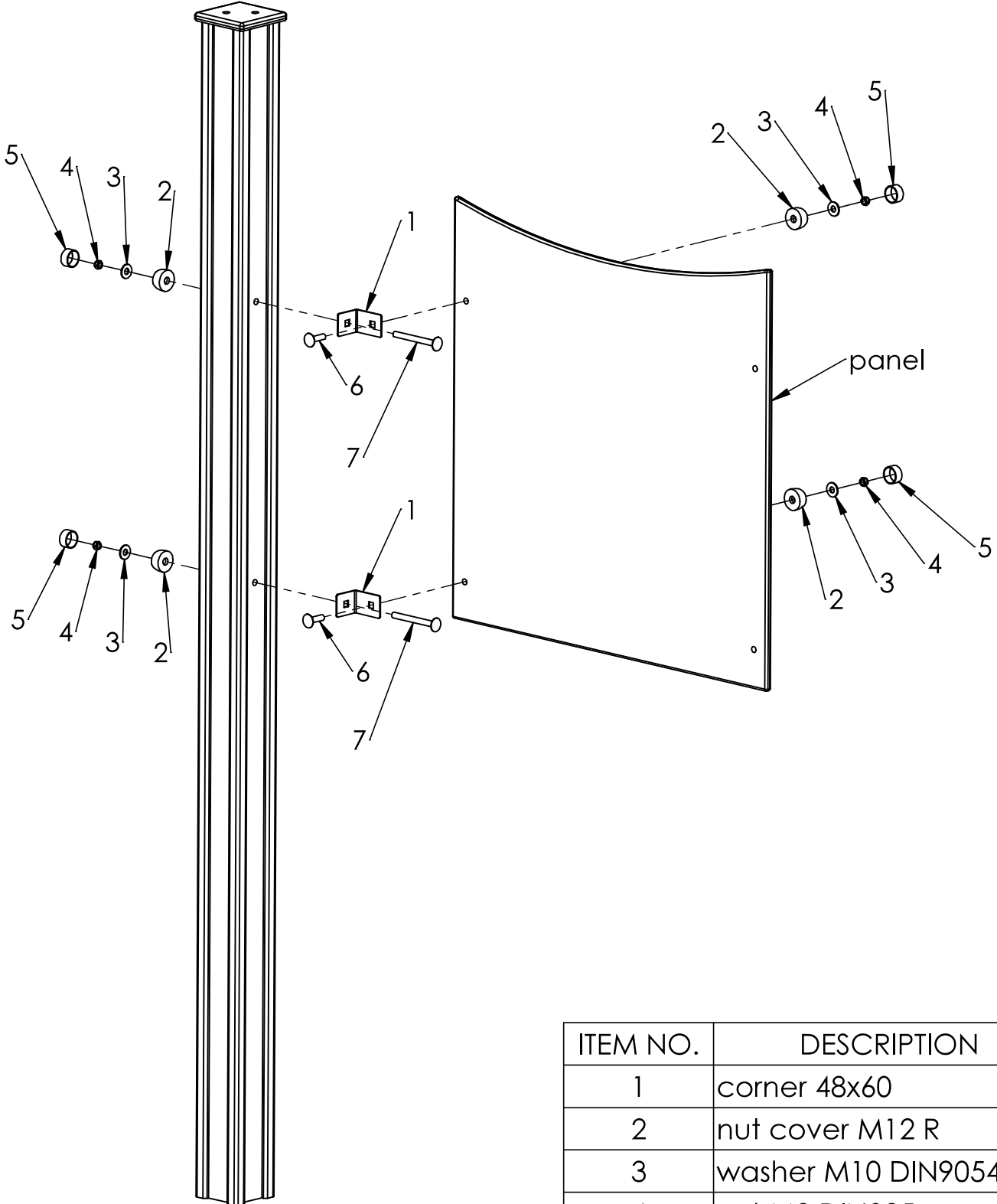
B

C

D

E

F



ITEM NO.	DESCRIPTION
1	corner 48x60
2	nut cover M12 R
3	washer M10 DIN9054
4	nut M8 DIN985
5	nut cover cap M12
6	bolt M10x35 DIN603
7	bolt M10x100 DIN603

UNLESS OTHERWISE SPECIFIED: DIMENSIONS ARE IN MILLIMETERS WEIGHT ARE IN KILOGRAMM				
	NAME	SIGNATURE	DATE	REVISION
DRAWN	E.Reispere		31.10.2023	
APPV'D				

PART NUMBER / DWG NO.:	LMK100		
DESCRIPTION:	Sand play complex with platform		



MATERIAL:	wood, metal, plastic	A4
WEIGHT:	SCALE: 1:80	SHEET 13 OF 40

A

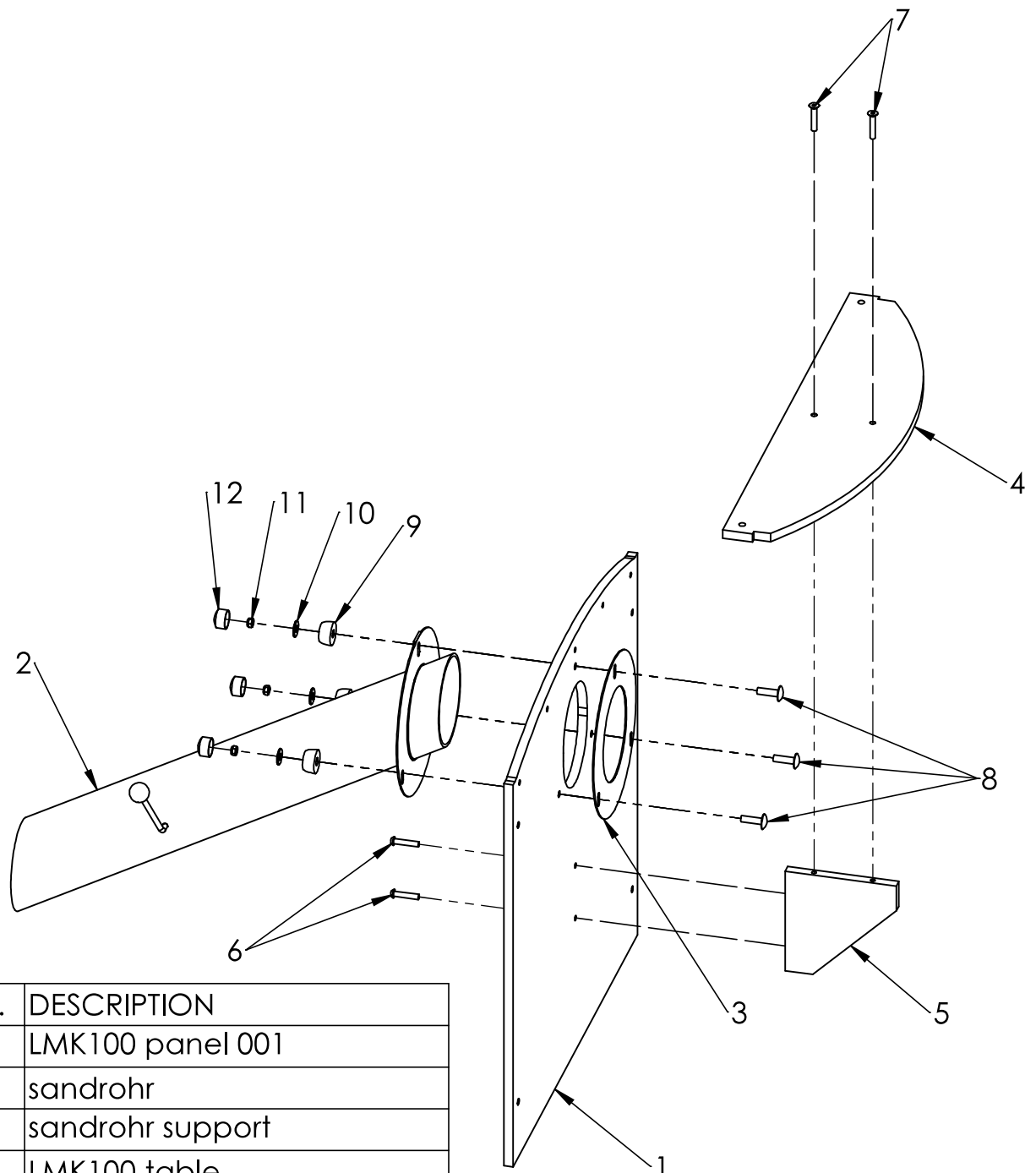
B

C

D

E

F



ITEM NO.	DESCRIPTION
1	LMK100 panel 001
2	sandrohr
3	sandrohr support
4	LMK100 table
5	LMK100 table support
6	bolt M8x40 Art.9121
7	metal screw M8x40 DIN7991
8	bolt M10x35 DIN603
9	nut cover M12 R
10	washer M10 DIN9054
11	nut M8 DIN985
12	nut cover cap M12

UNLESS OTHERWISE SPECIFIED:
DIMENSIONS ARE IN MILLIMETERS
WEIGHT ARE IN KILOGRAMM

	NAME	SIGNATURE	DATE	REVISION
DRAWN	E.Reispere		31.10.2023	
APPV'D				

PART NUMBER / DWG NO.:

LMK100

DESCRIPTION:

Sand play complex with platform

MATERIAL:

wood, metal, plastic

A4

WEIGHT:

SCALE: 1:8

SHEET 14 OF 40



Tiptiptap ÖÜ

A

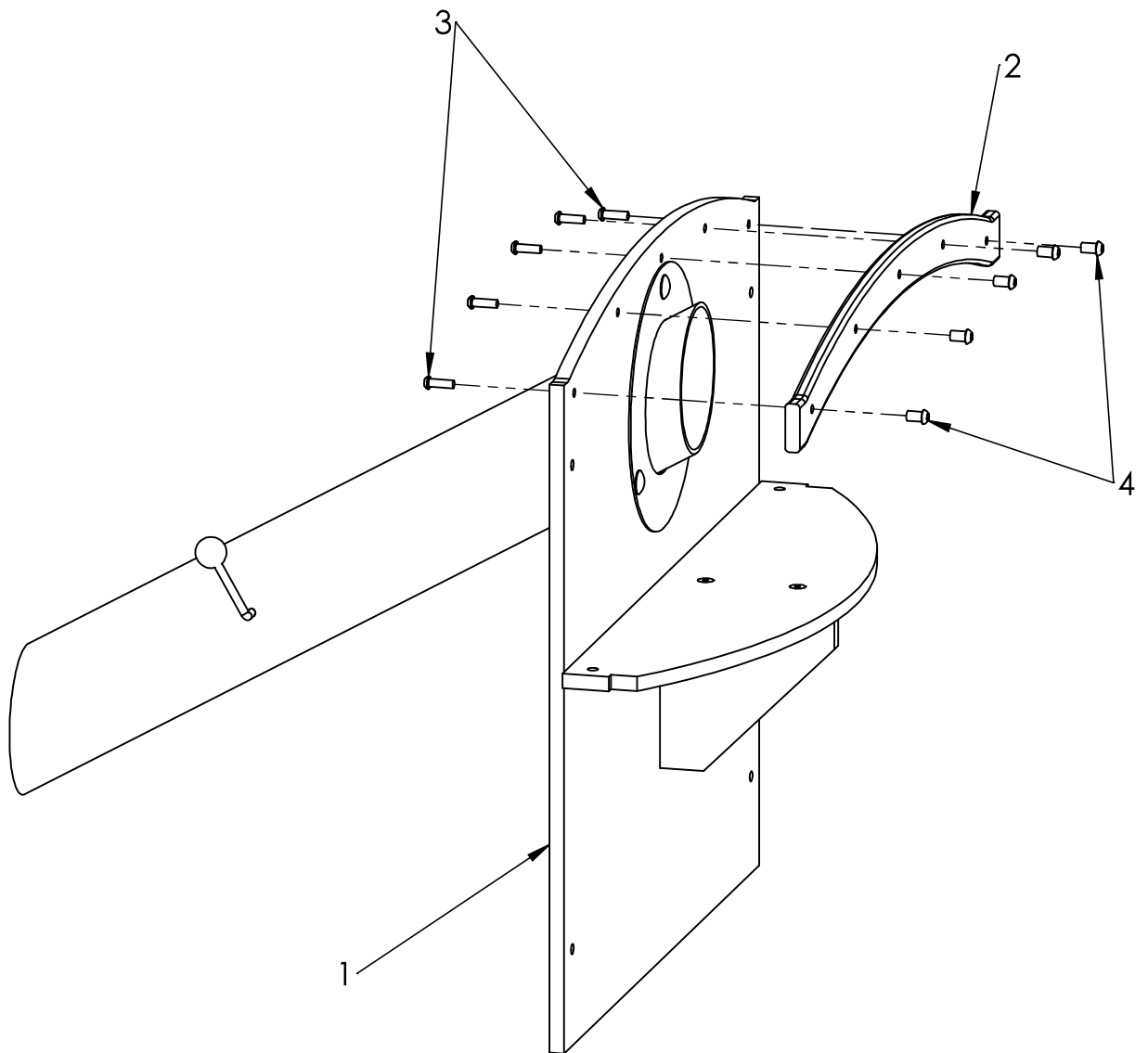
B

C

D

E

F



ITEM NO.	DESCRIPTION
1	LMK100 panel 001
2	LMK100 panel 001 support
3	bolt M8x25 Art.9121
4	nut M8x16 Art.9121

UNLESS OTHERWISE SPECIFIED:
 DIMENSIONS ARE IN MILLIMETERS
 WEIGHT ARE IN KILOGRAMM

PART NUMBER / DWG NO.:

LMK100

	NAME	SIGNATURE	DATE	REVISION
DRAWN	E.Reispere		31.10.2023	
APPVD				

DESCRIPTION:

Sand play complex with platform

MATERIAL:

wood, metal, plastic

A4

WEIGHT:

SCALE: 1:8

SHEET 15 OF 40



Tiptiptap ^{OO}

A

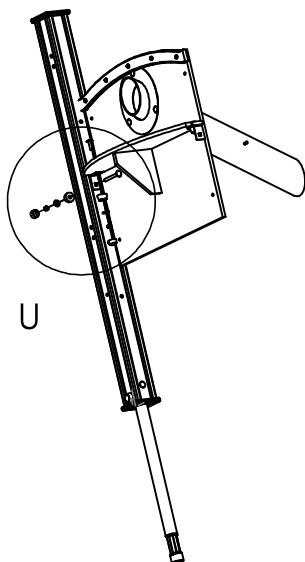
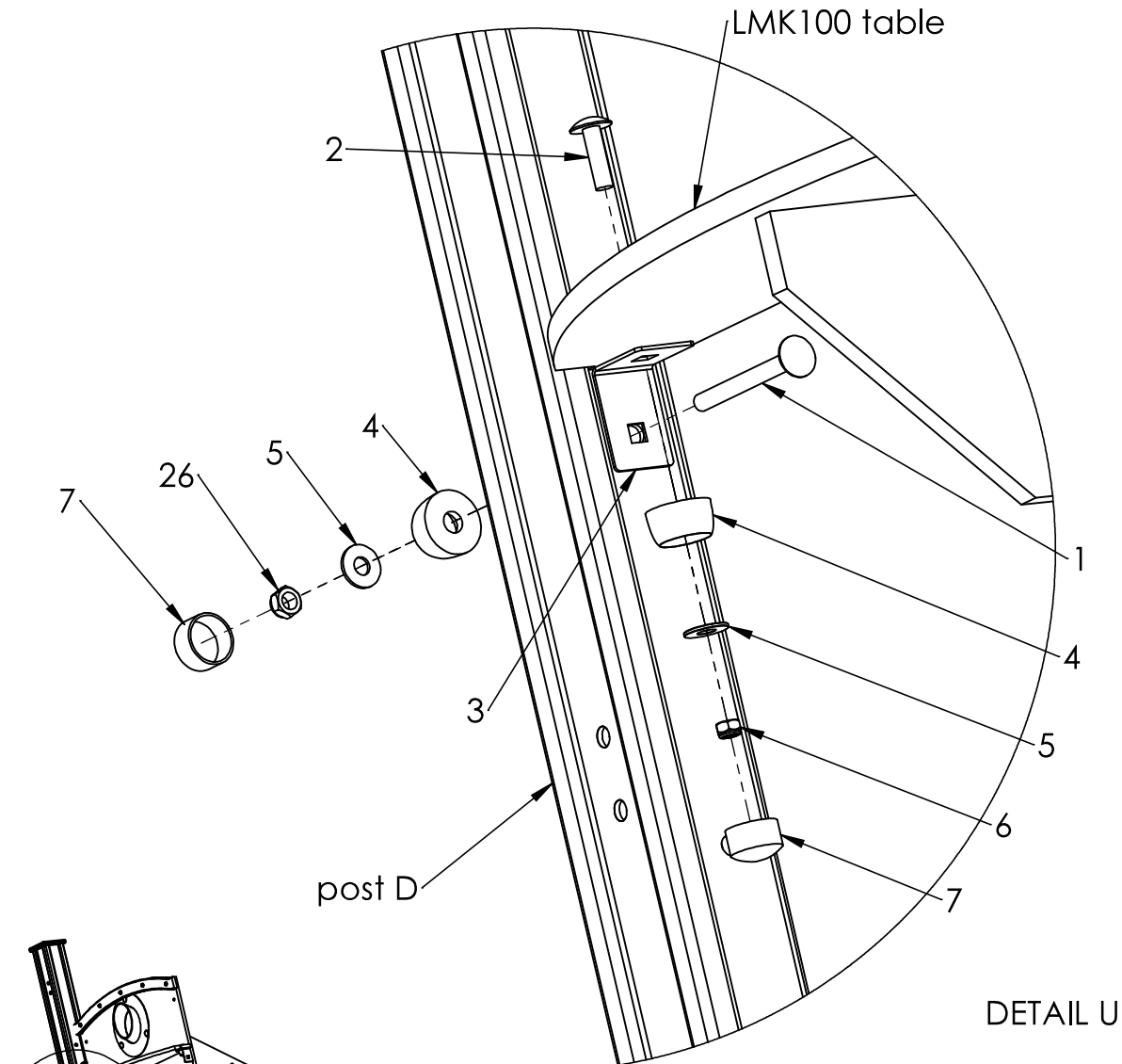
B

C

D

E

F



ITEM NO.	DESCRIPTION
1	bolt M10x100 DIN603
2	bolt M10x35 DIN603
3	corner 48x60
4	nut cover M12 R
5	washer M10 DIN9054
6	nut M8 DIN985
7	nut cover cap M12
26	nut M10 DIN985

UNLESS OTHERWISE SPECIFIED:
 DIMENSIONS ARE IN MILLIMETERS
 WEIGHT ARE IN KILOGRAMM

PART NUMBER / DWG NO.:

LMK100

	NAME	SIGNATURE	DATE	REVISION
DRAWN	E.Reispere		31.10.2023	
APPV'D				

DESCRIPTION:

Sand play complex with platform

MATERIAL:

wood, metal, plastic

A4

WEIGHT:

SCALE: 1:8

SHEET 16 OF 40



Tiptap ÖÖ

Counting rings to aluminium post assembly

A

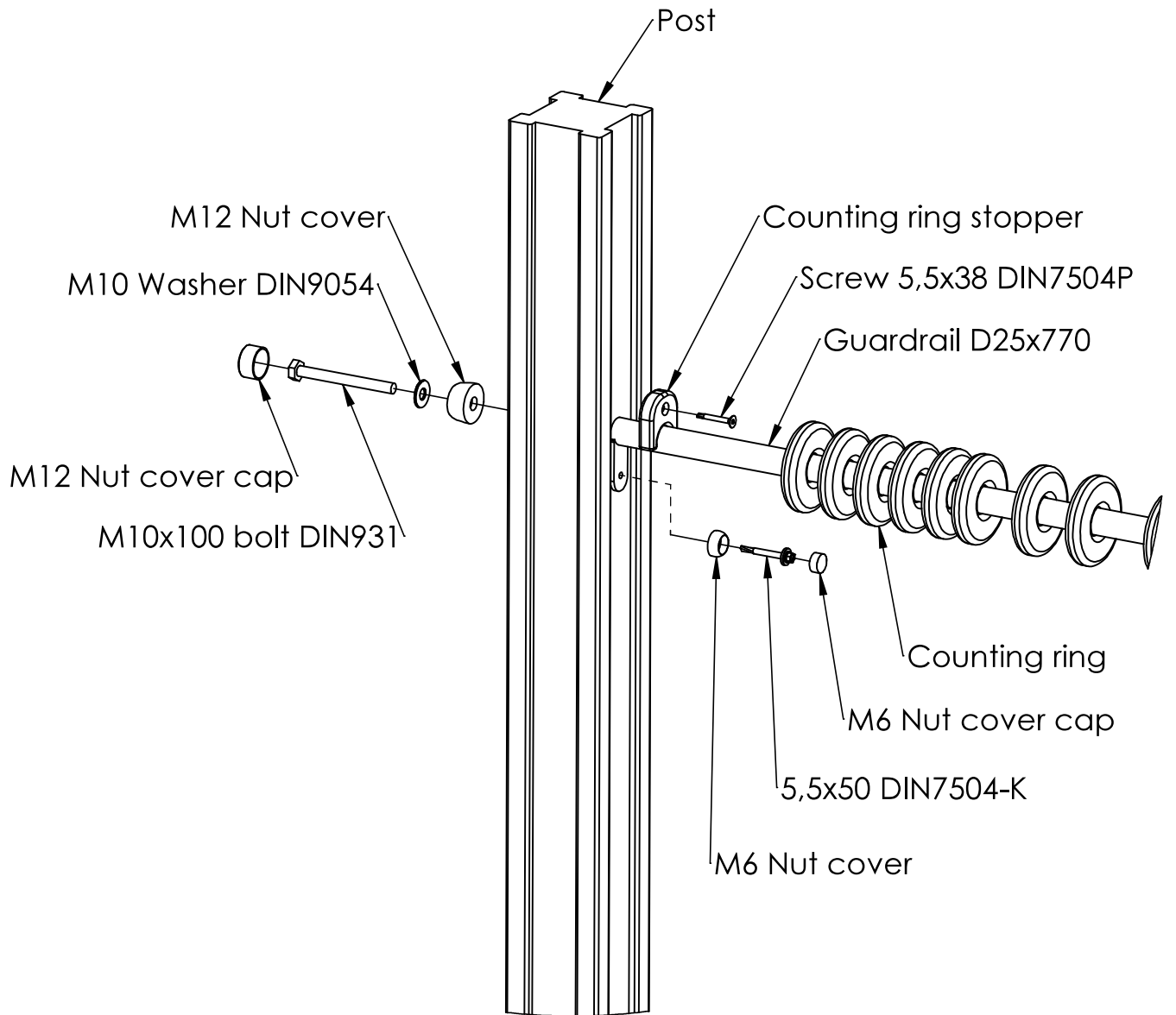
B

C

D

E

F



UNLESS OTHERWISE SPECIFIED:
 DIMENSIONS ARE IN MILLIMETERS
 WEIGHT ARE IN KILOGRAMM

PART NUMBER / DWG NO.:

LMK100

	NAME	SIGNATURE	DATE	REVISION
DRAWN	E.Reispere		31.10.2023	
APPVD				

DESCRIPTION:

Sand play complex with platform

MATERIAL:

wood, metal, plastic

A4

WEIGHT:

SCALE: 1:7

SHEET 17 OF 40



Tiptap ⁰⁰

Counting rings to wood post assembly

A

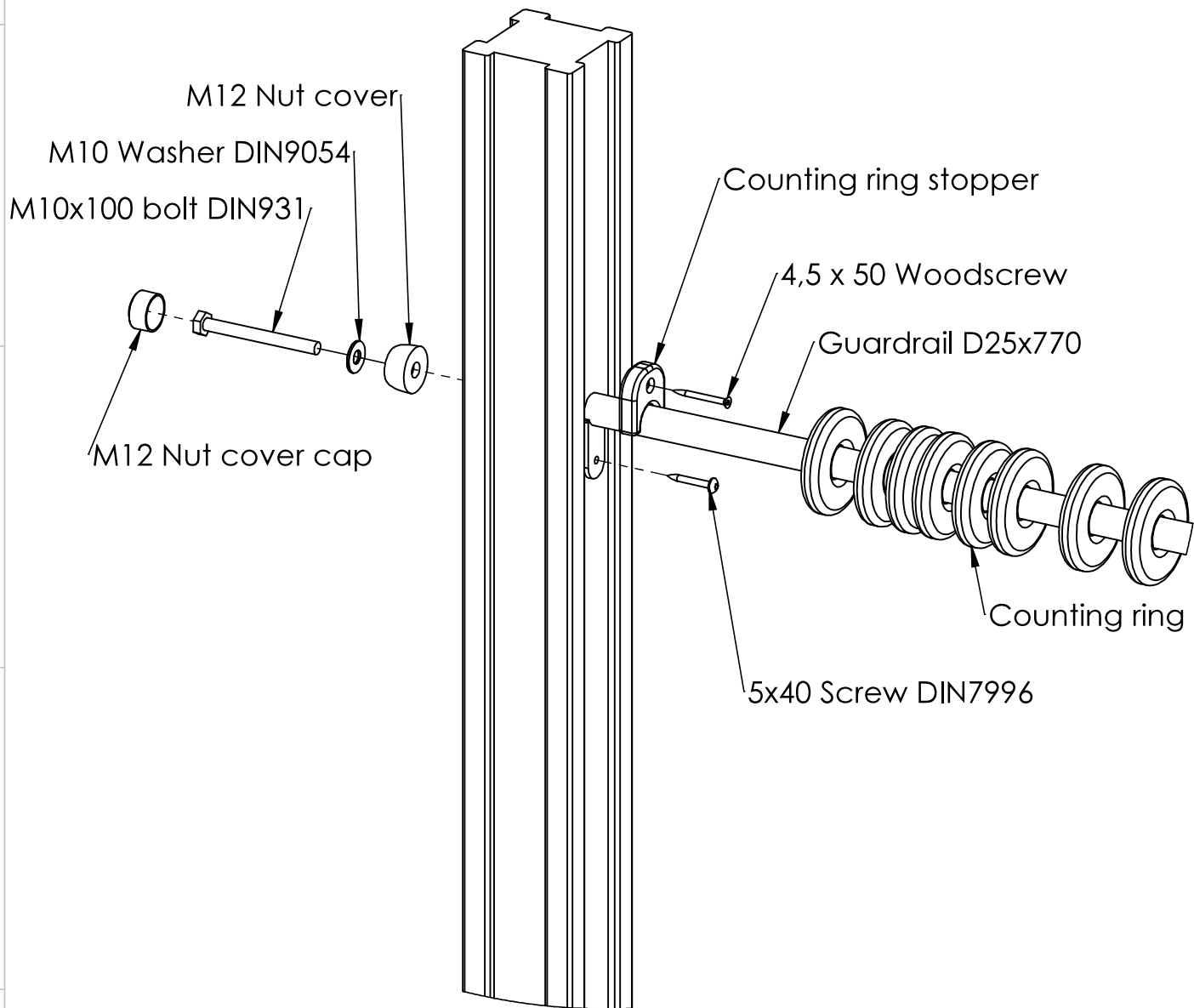
B

C

D

E

F



UNLESS OTHERWISE SPECIFIED:
DIMENSIONS ARE IN MILLIMETERS
WEIGHT ARE IN KILOGRAMM

	NAME	SIGNATURE	DATE	REVISION
DRAWN	E.Reispere		31.10.2023	
APPV'D				

PART NUMBER / DWG NO.:	LMK100
DESCRIPTION:	Sand play complex with platform



MATERIAL:	wood, metal, plastic	A4
WEIGHT:	SCALE: 1:20	SHEET 18 OF 40

A

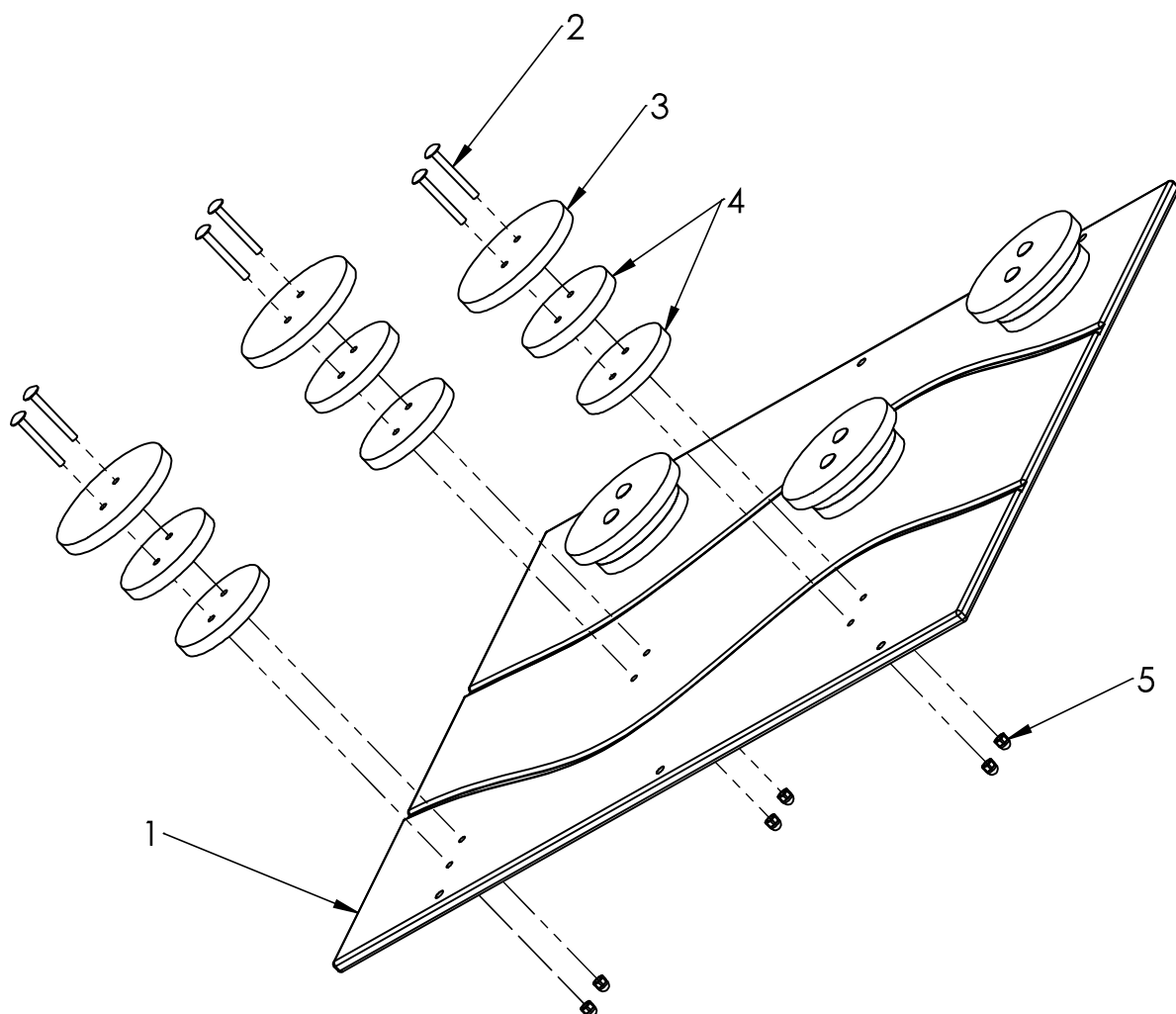
B

C

D

E

F



ITEM NO.	PART NUMBER
1	LMK100 ramp panel
2	bolt M8x70 DIN603
3	LMK100 climbing discs
4	LMK100 distance disk
5	domed cap nut M8 DIN986

UNLESS OTHERWISE SPECIFIED:
 DIMENSIONS ARE IN MILLIMETERS
 WEIGHT ARE IN KILOGRAMM

PART NUMBER / DWG NO.:

LMK100

	NAME	SIGNATURE	DATE	REVISION
DRAWN	E.Reispere		31.10.2023	
APPV'D				

DESCRIPTION:

Sand play complex with platform

MATERIAL:

wood, metal, plastic

A4

WEIGHT:

SCALE: 1:8

SHEET 19 OF 40



Tiptiptap ⁰⁰

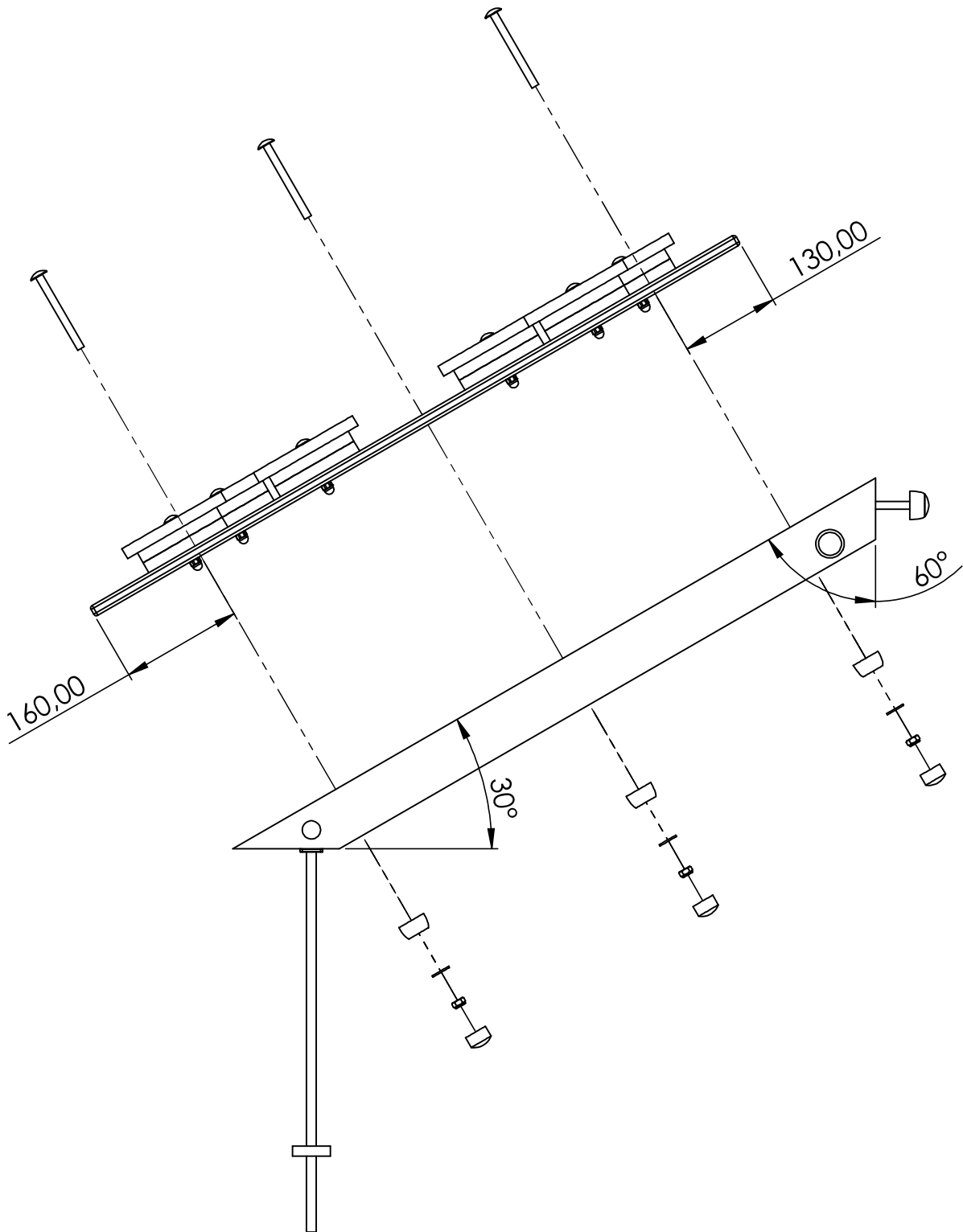
A

B

C

D

E



UNLESS OTHERWISE SPECIFIED:
 DIMENSIONS ARE IN MILLIMETERS
 WEIGHT ARE IN KILOGRAMM

PART NUMBER / DWG NO.:

LMK100

	NAME	SIGNATURE	DATE	REVISION
DRAWN	E.Reispere		31.10.2023	
APPVD				

DESCRIPTION:

Sand play complex with platform

F



Tiptiptap ^{OO}

MATERIAL:

wood, metal, plastic

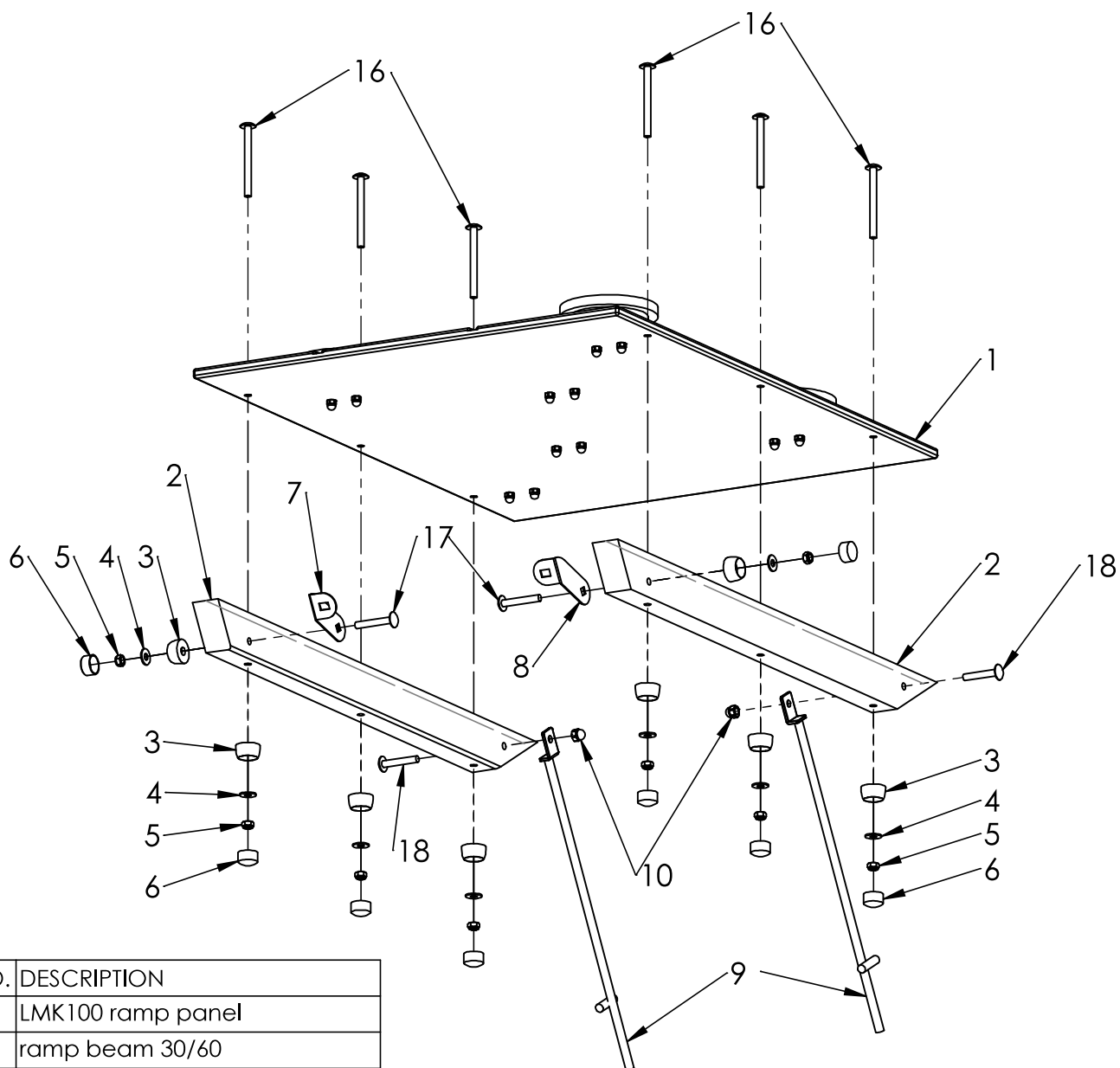
A4

WEIGHT:

SCALE: 1:8

SHEET 20 OF 40

ramp assembly



ITEM NO.	DESCRIPTION
1	LMK100 ramp panel
2	ramp beam 30/60
3	nut cover M12 R
4	washer M10 DIN9054
5	nut M10 DIN985
6	nut cover cap M12
7	stair fixture right
8	stair fixture left
9	ground fixing L-shape
10	domed cap nut M10 DIN986
16	bolt M10x110 DIN603
17	bolt M10x65 DIN603
18	bolt M10x60 DIN603

UNLESS OTHERWISE SPECIFIED:
DIMENSIONS ARE IN MILLIMETERS
WEIGHT ARE IN KILOGRAMM

PART NUMBER / DWG NO.:

LMK100

	NAME	SIGNATURE	DATE	REVISION
DRAWN	E.Reispere		31.10.2023	
APPV'D				

DESCRIPTION:

Sand play complex with platform

MATERIAL:

wood, metal, plastic

A4

WEIGHT:

SCALE: 1:8

SHEET 21 OF 40



Tiptap OÜ

A

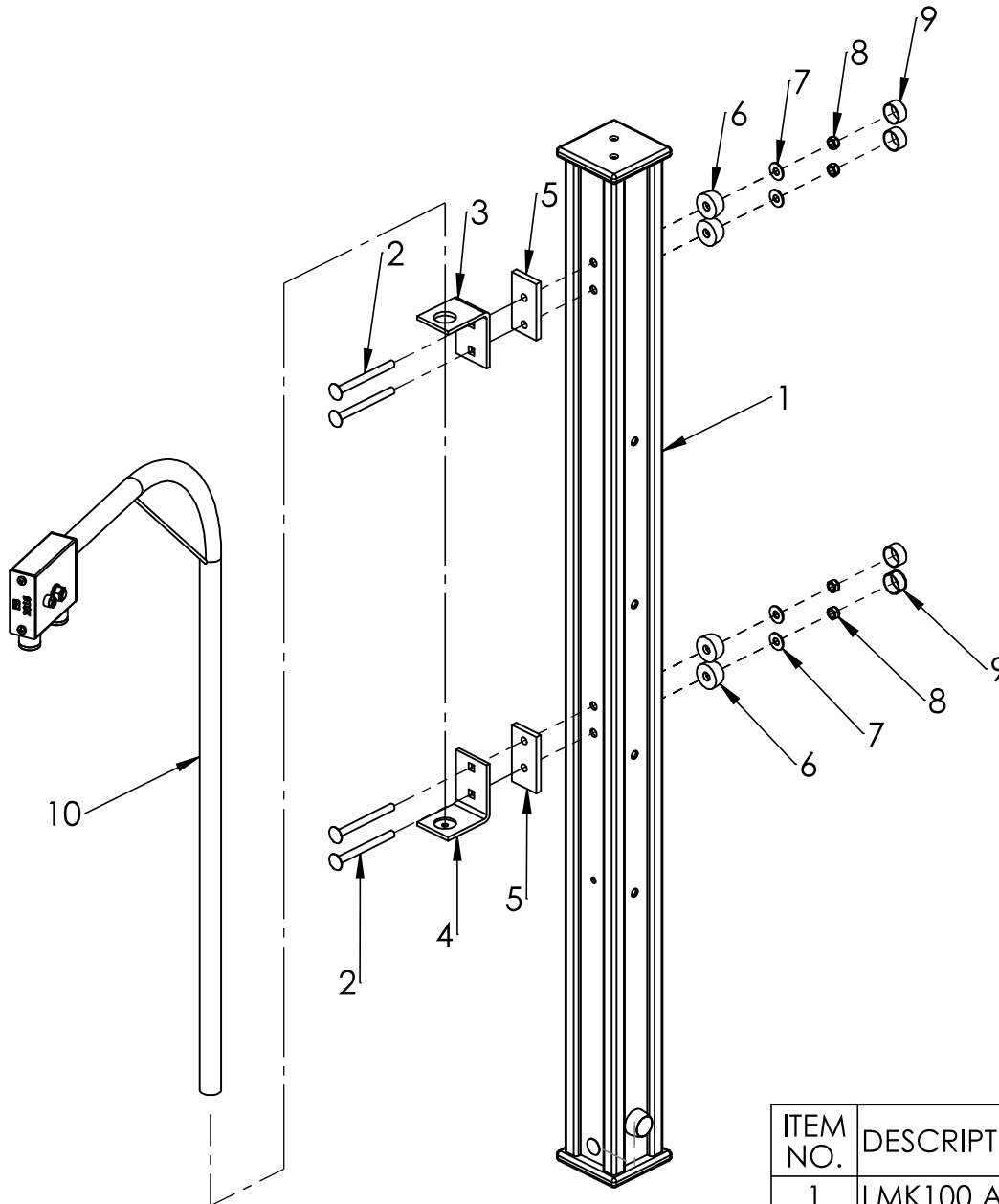
B

C

D

E

F



ITEM NO.	DESCRIPTION
1	LMK100 AL post D 1600
2	bolt M10x110 DIN603
3	sandlift corner upper
4	sandlift corner lower
5	LMK100 cap filling
6	nut cover M12 R
7	washer M10 DIN9054
8	nut M10 DIN985
9	nut cover cap M12
10	sandlift

UNLESS OTHERWISE SPECIFIED:
 DIMENSIONS ARE IN MILLIMETERS
 WEIGHT ARE IN KILOGRAMM

PART NUMBER / DWG NO.:

LMK100

	NAME	SIGNATURE	DATE	REVISION
DRAWN	E.Reispere		31.10.2023	
APPV'D				

DESCRIPTION:

Sand play complex with platform

MATERIAL:

wood, metal, plastic

A4

WEIGHT:

SCALE: 1:8

SHEET 22 OF 40



Tiptap OÜ

fixing sandlift with a corner

A

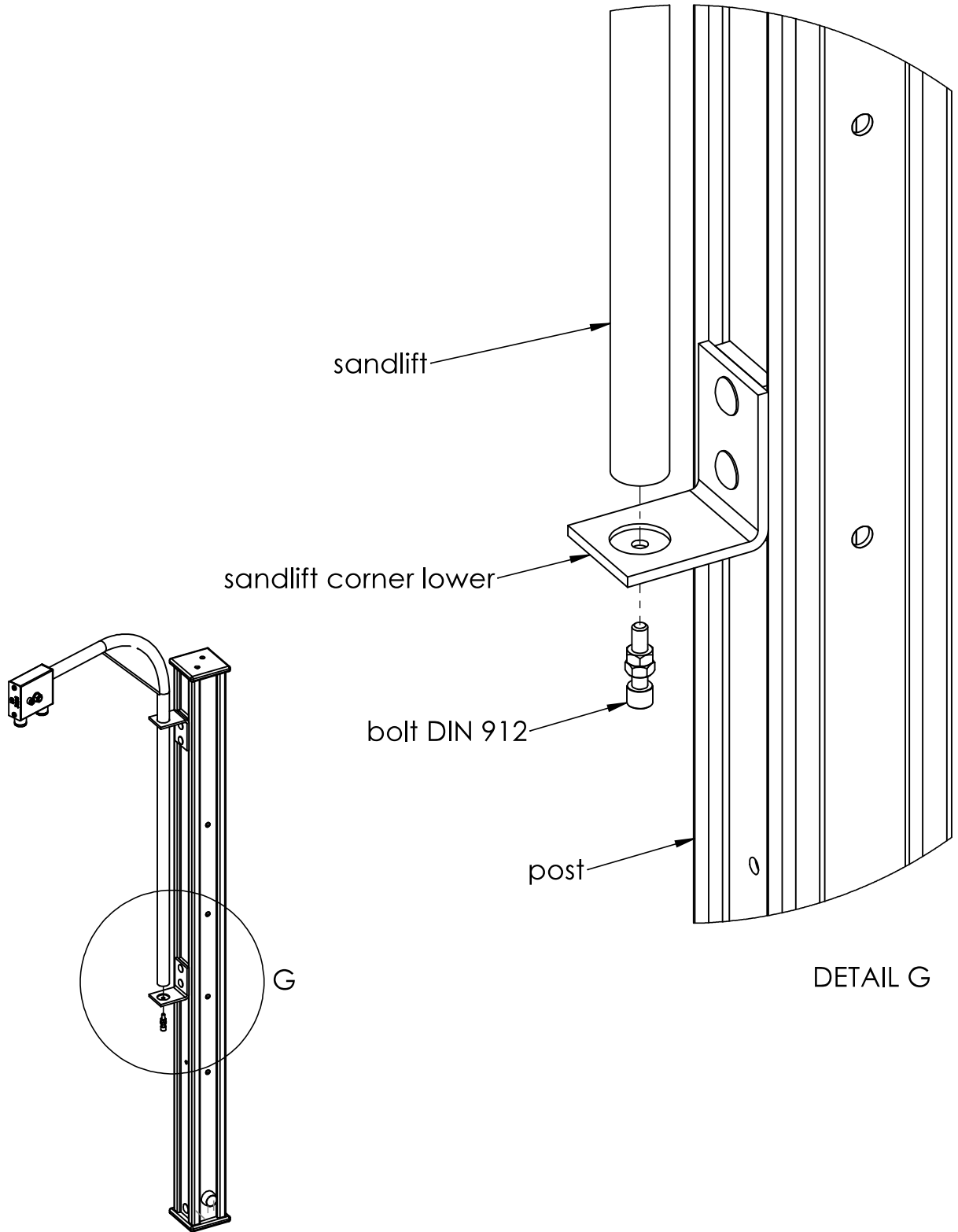
B

C

D

E

F



UNLESS OTHERWISE SPECIFIED:
 DIMENSIONS ARE IN MILLIMETERS
 WEIGHT ARE IN KILOGRAMM

PART NUMBER / DWG NO.:

LMK100

	NAME	SIGNATURE	DATE	REVISION
DRAWN	E.Reispere		31.10.2023	
APPV'D				

DESCRIPTION:

Sand play complex with platform

MATERIAL:

wood, metal, plastic

A4

WEIGHT:

SCALE: 1:8

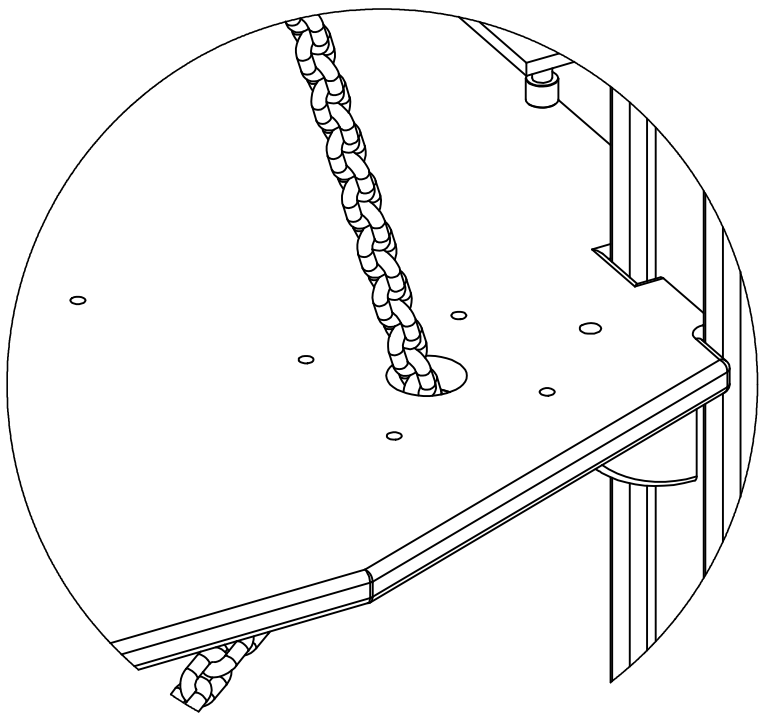
SHEET 23 OF 40



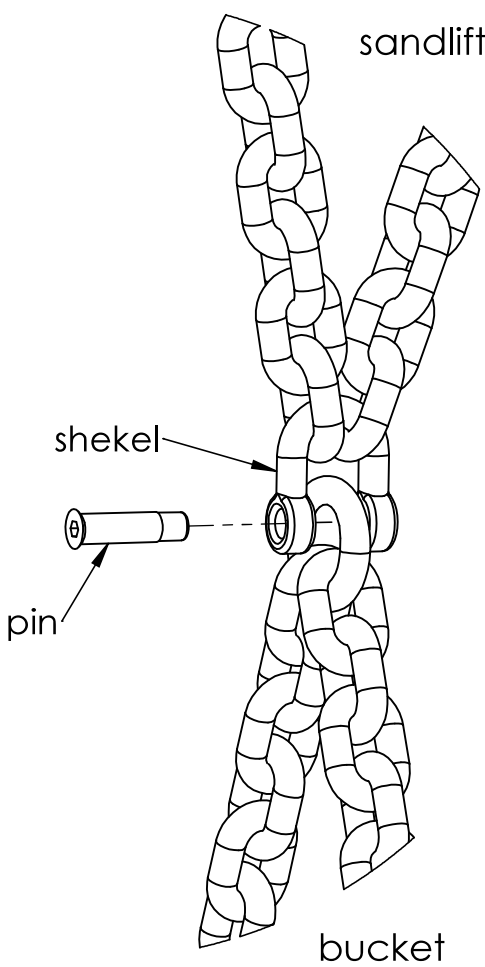
Tiptiptap OO

A
B
C
D
E
F

step 1
put the chain
through the hole
in the table top

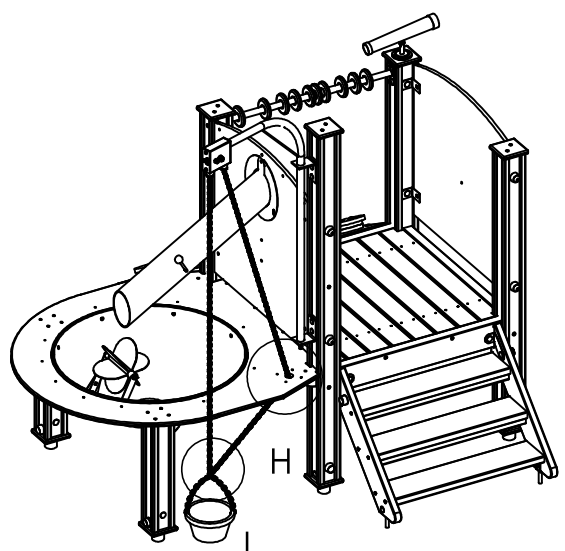


DETAIL H



DETAIL J

step 2
connecting the sand lifter
chain to the bucket chain



UNLESS OTHERWISE SPECIFIED:
DIMENSIONS ARE IN MILLIMETERS
WEIGHT ARE IN KILOGRAMM

PART NUMBER / DWG NO.:
LMK100

	NAME	SIGNATURE	DATE	REVISION
DRAWN	E.Reispere		31.10.2023	
APPVD				

DESCRIPTION:
Sand play complex with platform



MATERIAL:
wood, metal, plastic

A4

WEIGHT: SCALE: 1:8 SHEET 24 OF 40

A

attaching the ramp to the platform

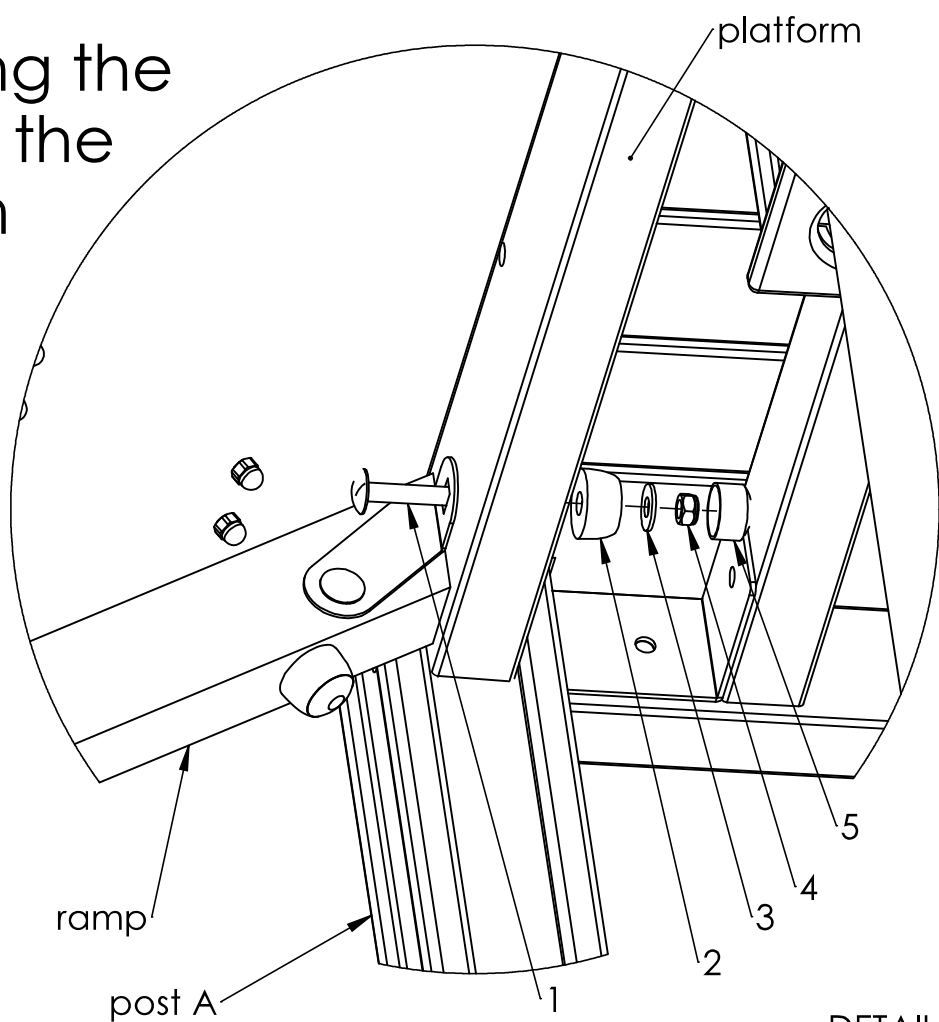
B

C

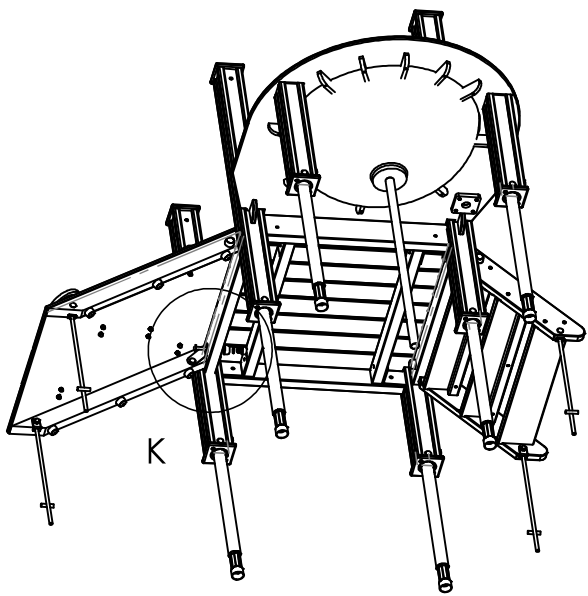
D

E

F



DETAIL K



ITEM NO.	DESCRIPTION
1	bolt M10x65 DIN603
2	nut cover M12 R
3	washer M10 DIN9054
4	nut M10 DIN985
5	nut cover cap M12

UNLESS OTHERWISE SPECIFIED: DIMENSIONS ARE IN MILLIMETERS WEIGHT ARE IN KILOGRAMM				
	NAME	SIGNATURE	DATE	REVISION
DRAWN	E.Reispere		31.10.2023	
APPV'D				

PART NUMBER / DWG NO.:	LMK100		
DESCRIPTION:	Sand play complex with platform		



Tiptiptap OÜ

MATERIAL:	wood, metal, plastic	A4
WEIGHT:	SCALE: 1:8	SHEET 25 OF 40

attaching the stair to the platform

A

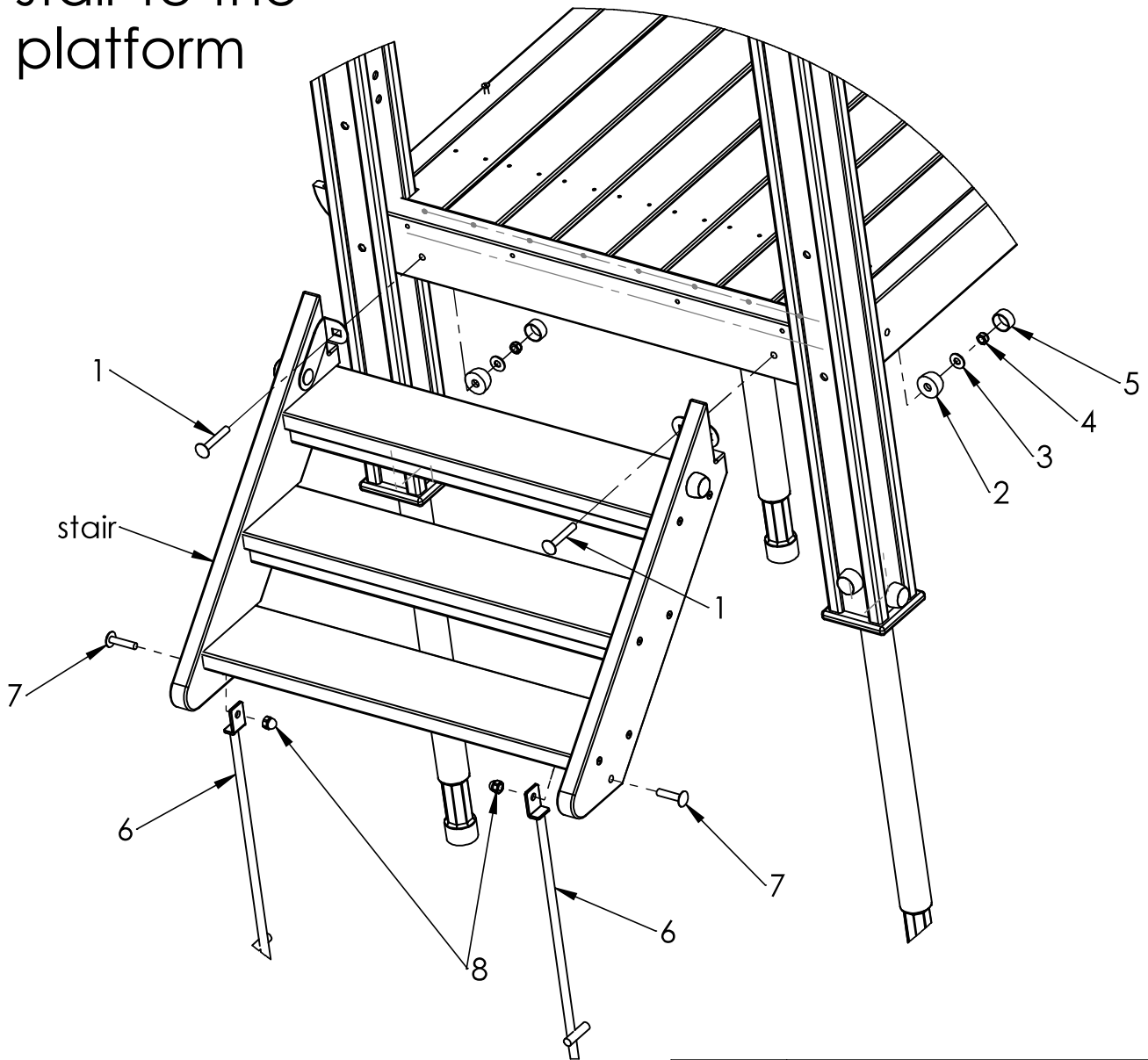
B

C

D

E

F



ITEM NO.	DESCRIPTION
1	bolt M10x65 DIN603
2	nut cover M12 R
3	washer M10 DIN9054
4	nut M10 DIN985
5	nut cover cap M12
6	ground fixing L-shape
7	bolt M10x45 DIN603
8	domed cap nut M10 DIN986

UNLESS OTHERWISE SPECIFIED:
DIMENSIONS ARE IN MILLIMETERS
WEIGHT ARE IN KILOGRAMM

PART NUMBER / DWG NO.:

LMK100

	NAME	SIGNATURE	DATE	REVISION
DRAWN	E.Reispere		31.10.2023	
APPV'D				

DESCRIPTION:

Sand play complex with platform

MATERIAL:

wood, metal, plastic

A4

WEIGHT:

SCALE: 1:8

SHEET 26 OF 40



Tiptiptap

fixing the monocle

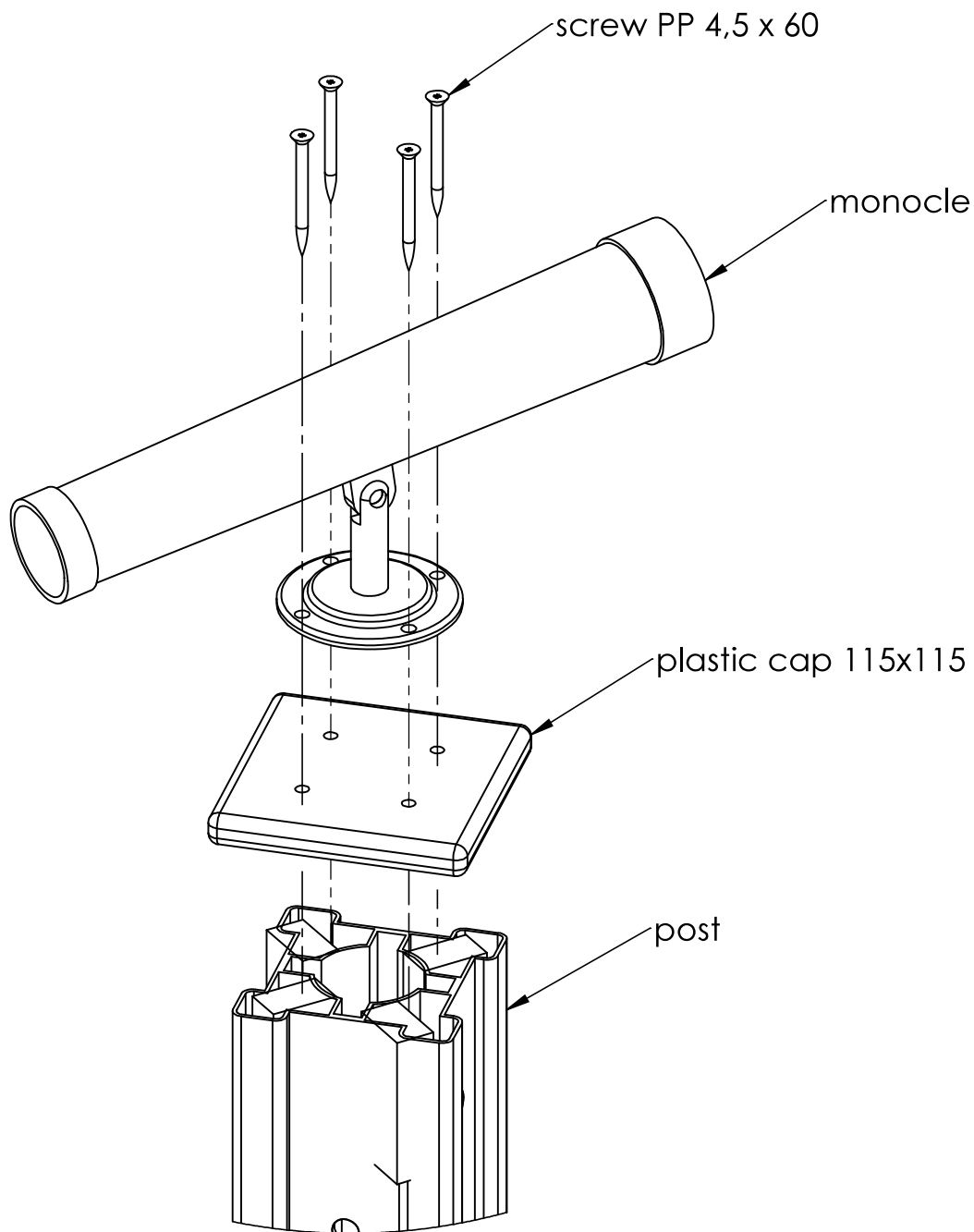
A

B

C

D

E



UNLESS OTHERWISE SPECIFIED:
 DIMENSIONS ARE IN MILLIMETERS
 WEIGHT ARE IN KILOGRAMM

PART NUMBER / DWG NO.:

LMK100

	NAME	SIGNATURE	DATE	REVISION
DRAWN	E.Reispere		31.10.2023	
APPV'D				

DESCRIPTION:

Sand play complex with platform

MATERIAL:

wood, metal, plastic

A4

WEIGHT:

SCALE: 1:8

SHEET 27 OF 40



Tiptiptap OO

A

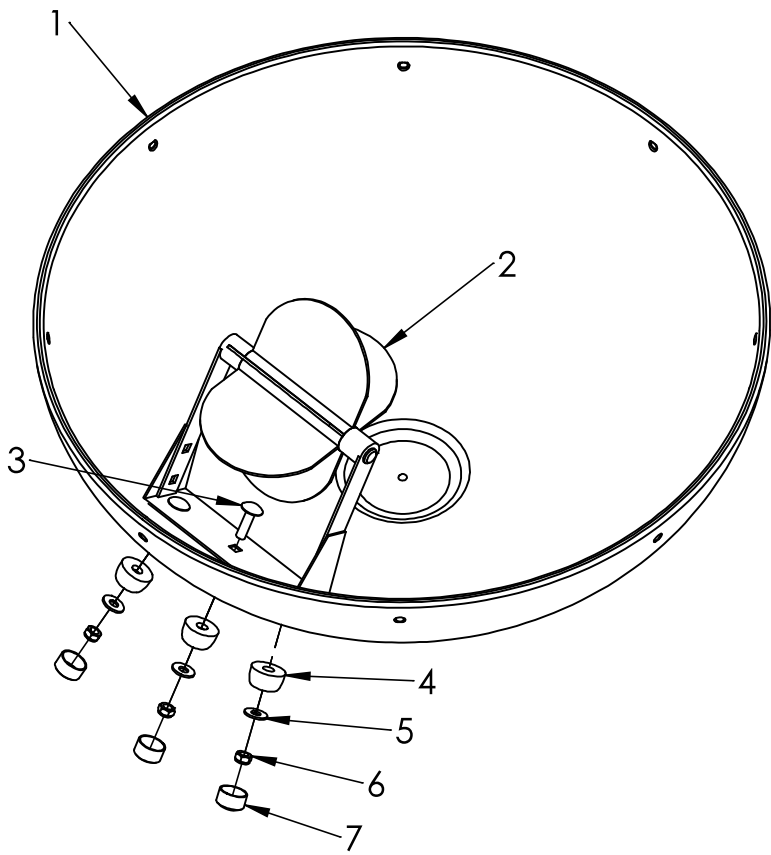
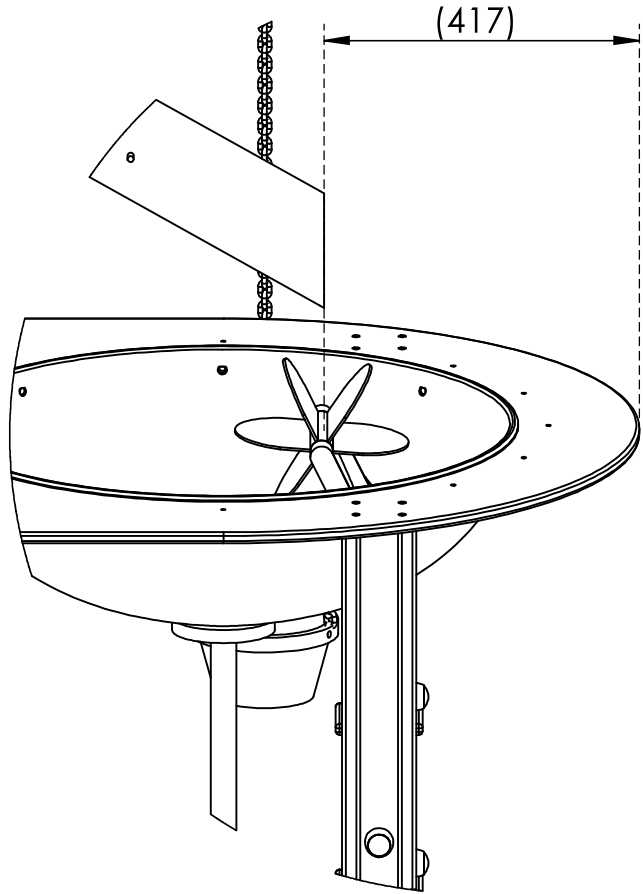
B

C

D

E

F



ITEM NO.	DESCRIPTION
1	bowl
2	Wasserrad
3	bolt M10x35 DIN603
4	nut cover M12 R
5	washer M10 DIN9054
6	nut M10 DIN985
7	nut cover cap M12

UNLESS OTHERWISE SPECIFIED: DIMENSIONS ARE IN MILLIMETERS WEIGHT ARE IN KILOGRAMM				
	NAME	SIGNATURE	DATE	REVISION
DRAWN	E.Reispere		31.10.2023	
APPV'D				

PART NUMBER / DWG NO.:	LMK100		
DESCRIPTION:	Sand play complex with platform		

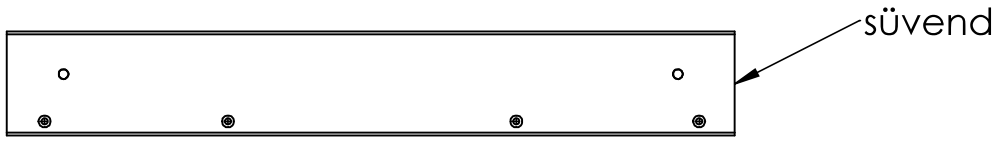


Tiptiptap ÖÜ

MATERIAL:	wood, metal, plastic	A4
WEIGHT:	SCALE: 1:8	SHEET 28 OF 40

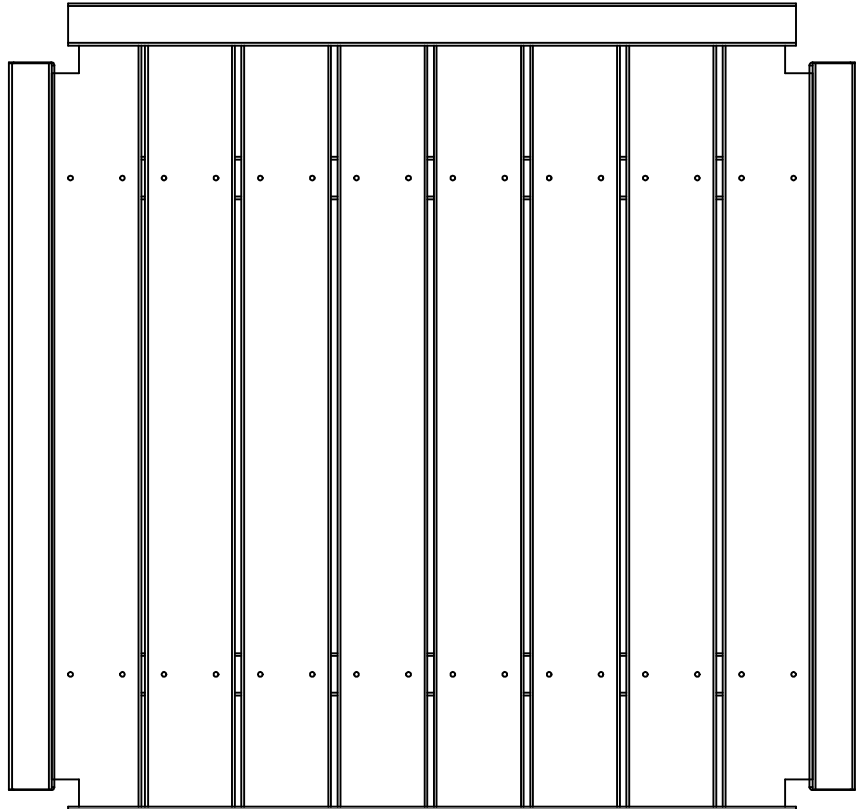
Trepi avad (stair)

A



B

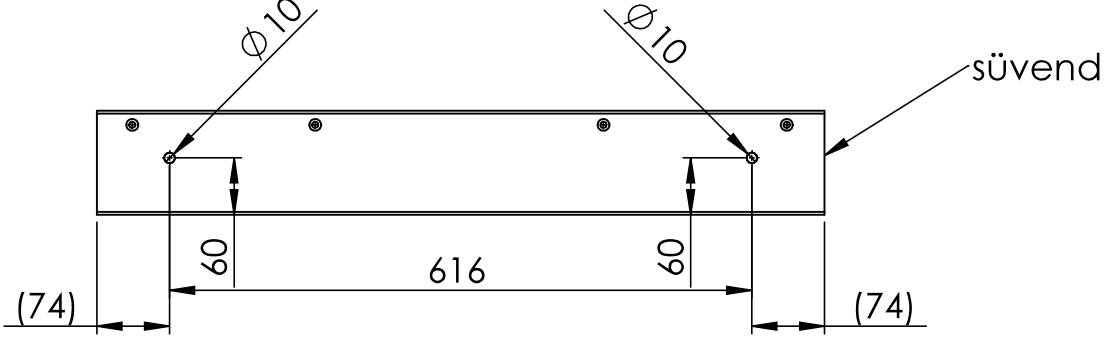
C D



C

D

A B 764



E

Kaldtee (ramp)

F

UNLESS OTHERWISE SPECIFIED:
DIMENSIONS ARE IN MILLIMETERS
WEIGHT ARE IN KILOGRAMM

	NAME	SIGNATURE	DATE	REVISION
DRAWN	E.Reispere		31.10.2023	
APPVD				

PART NUMBER / DWG NO.:	LMK100
DESCRIPTION:	Sand play complex with platform



MATERIAL:	wood, metal, plastic	A4
WEIGHT:	SCALE: 1:8	SHEET 29 OF 40

bowl groundfixing

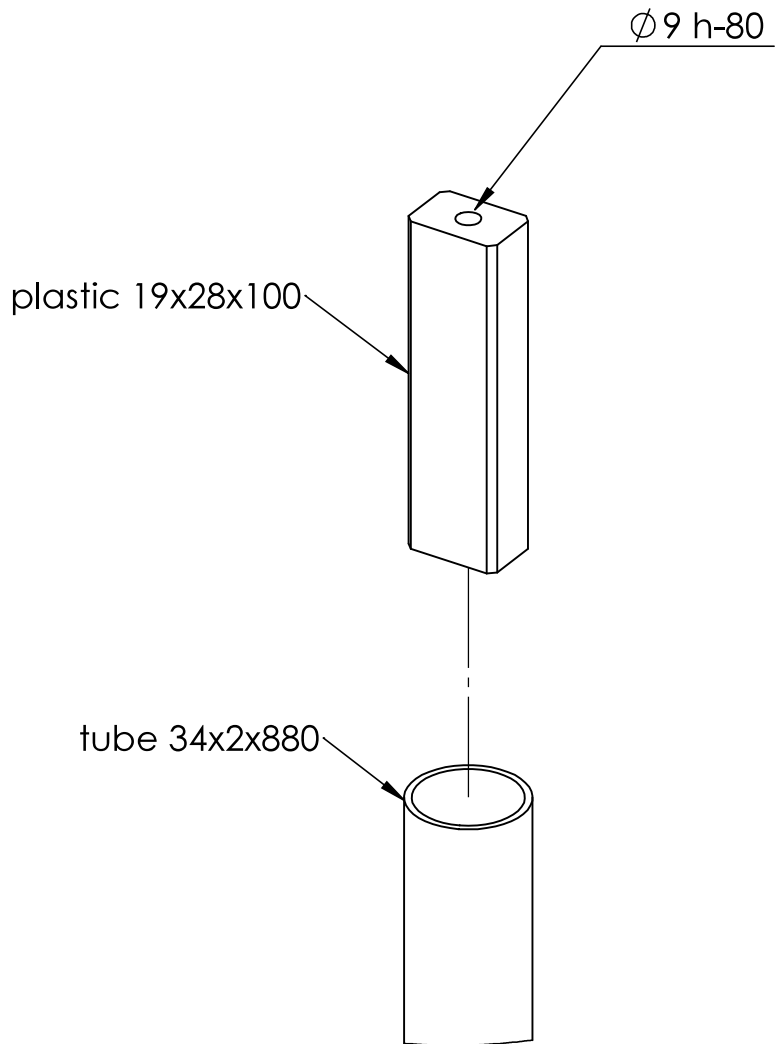
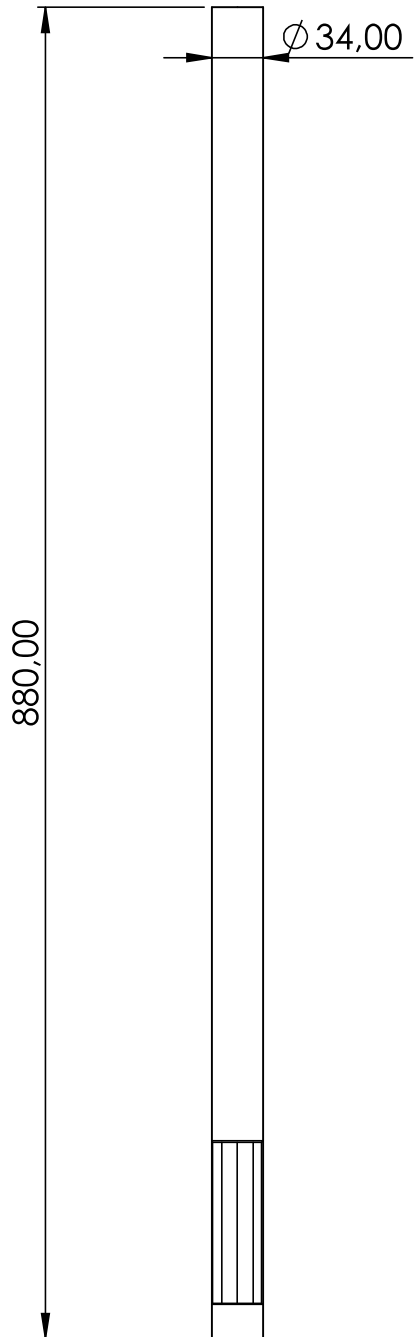
A

B

C

D

E



UNLESS OTHERWISE SPECIFIED:
 DIMENSIONS ARE IN MILLIMETERS
 WEIGHT ARE IN KILOGRAMM

PART NUMBER / DWG NO.:
LMK100

	NAME	SIGNATURE	DATE	REVISION
DRAWN	E.Reispere		31.10.2023	
APPV'D				

DESCRIPTION:
Sand play complex with platform



MATERIAL:	wood, metal, plastic	A4
WEIGHT:	SCALE: 1:8	SHEET 30 OF 40