

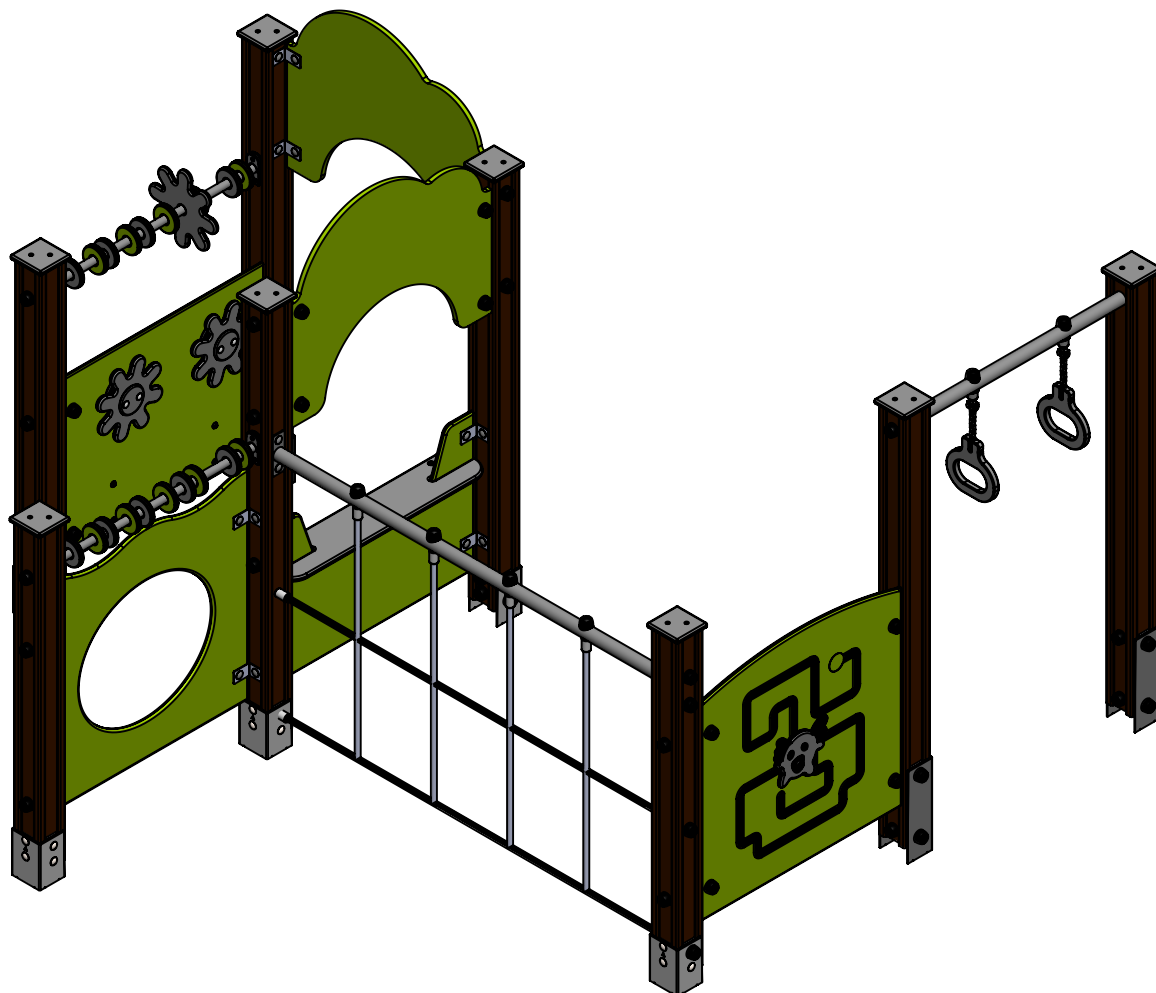
A

B

C

D

E



UNLESS OTHERWISE SPECIFIED:
 DIMENSIONS ARE IN MILLIMETERS
 WEIGHT ARE IN KILOGRAMM

Product code:

AW35

NAME

SIGNATURE

DATE

DRAWN

M.Kalamees

27/06/2024

DESCRIPTION:

Activity wall for toddlers



Tiptiptap^{ÖÜ}

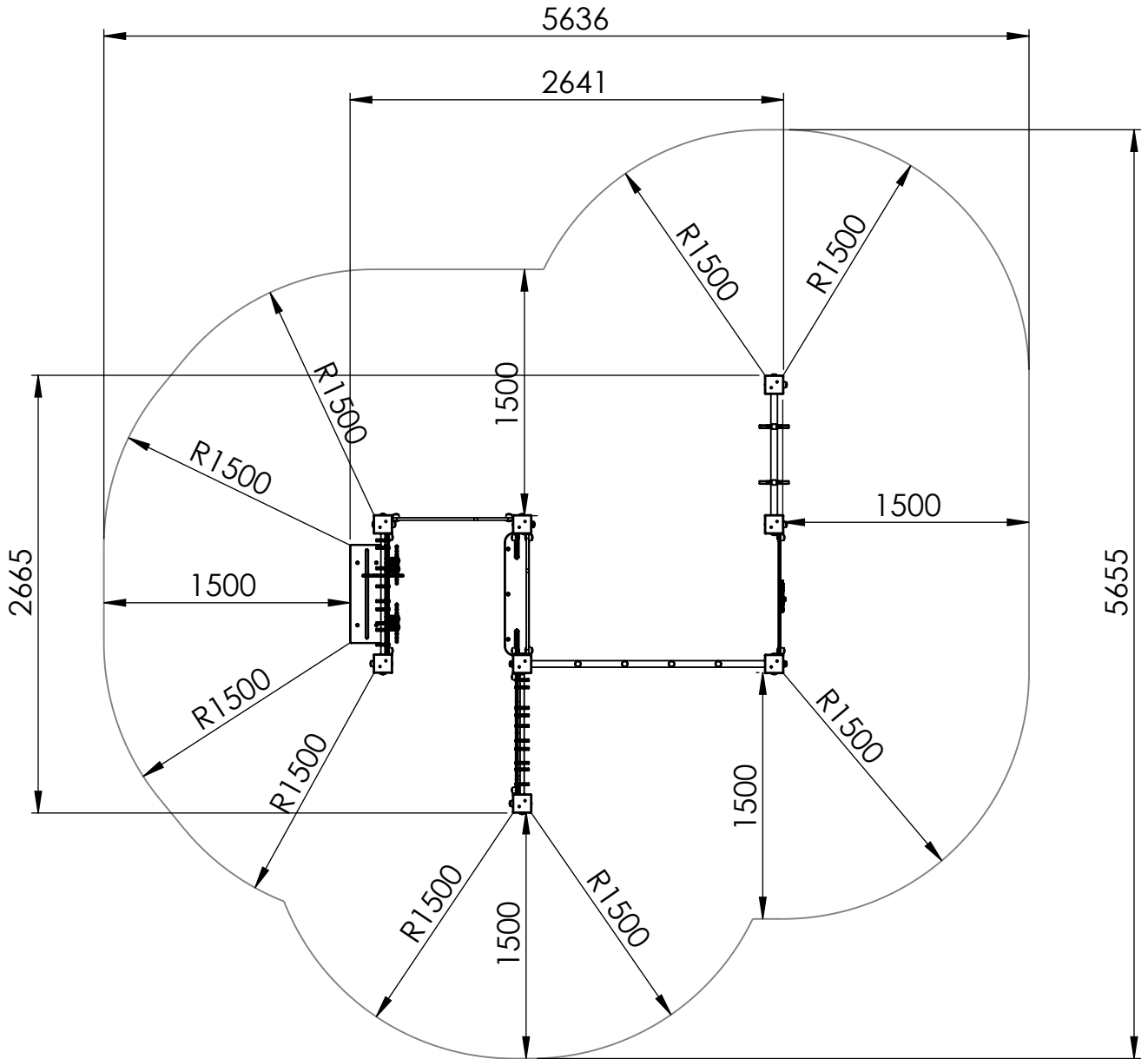
A4

WEIGHT:

SCALE: 1:50

SHEET 1 OF 14

safety area



UNLESS OTHERWISE SPECIFIED:
DIMENSIONS ARE IN MILLIMETERS
WEIGHT ARE IN KILOGRAMM

Product code:

AW35

NAME

SIGNATURE

DATE

DRAWN

M.Kalamees

27/06/2024

DESCRIPTION:

Activity wall for toddlers



Tiptiptap ^{ÖÜ}

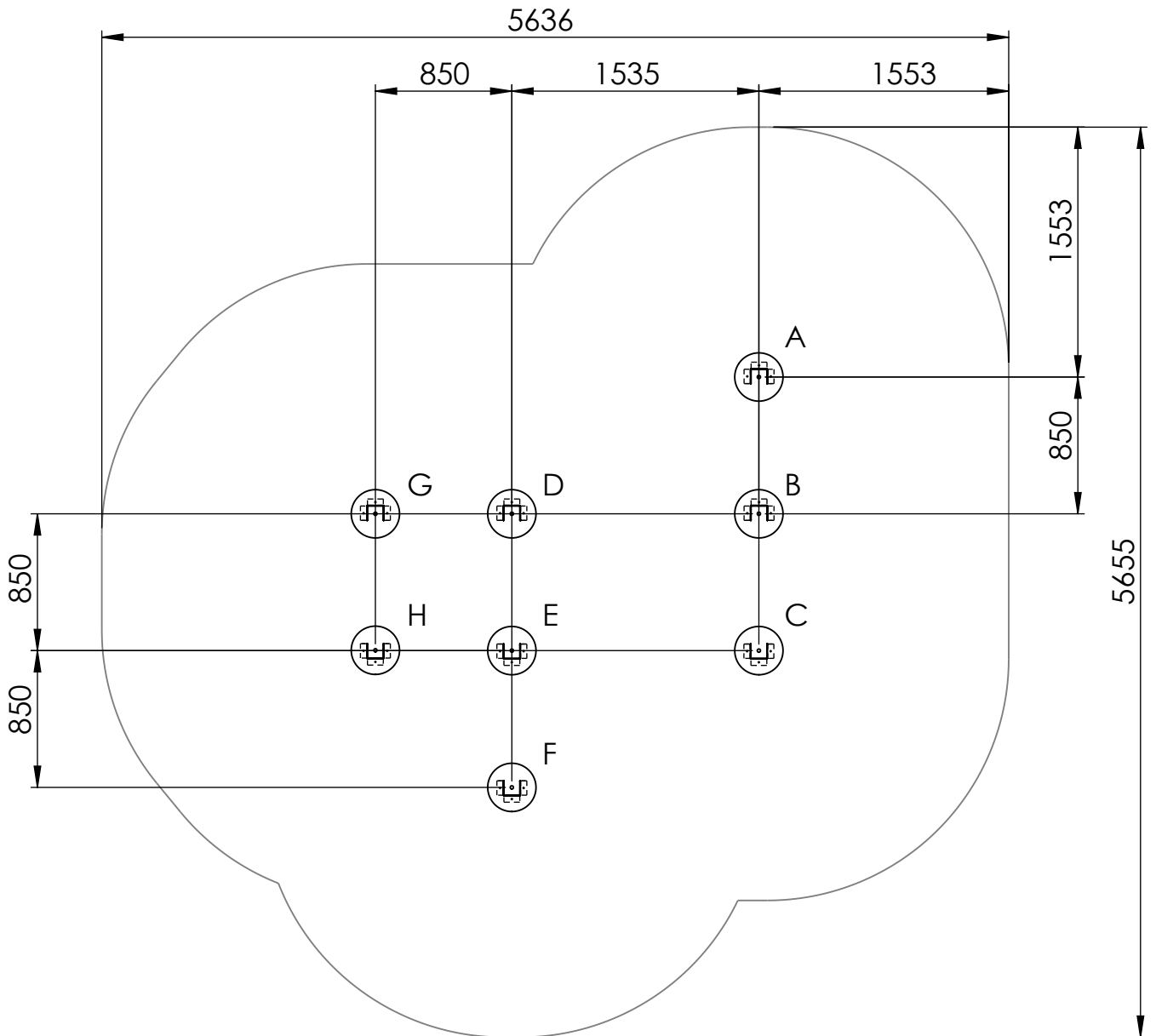
A4

WEIGHT:

SCALE: 1:50

SHEET 2 OF 14

foundation



NB! Follow the direction of the groundfixing.

UNLESS OTHERWISE SPECIFIED:
DIMENSIONS ARE IN MILLIMETERS
WEIGHT ARE IN KILOGRAMM

Product code:

AW35

NAME

SIGNATURE

DATE

DRAWN

M.Kalamees

27/06/2024

DESCRIPTION:

Activity wall for toddlers



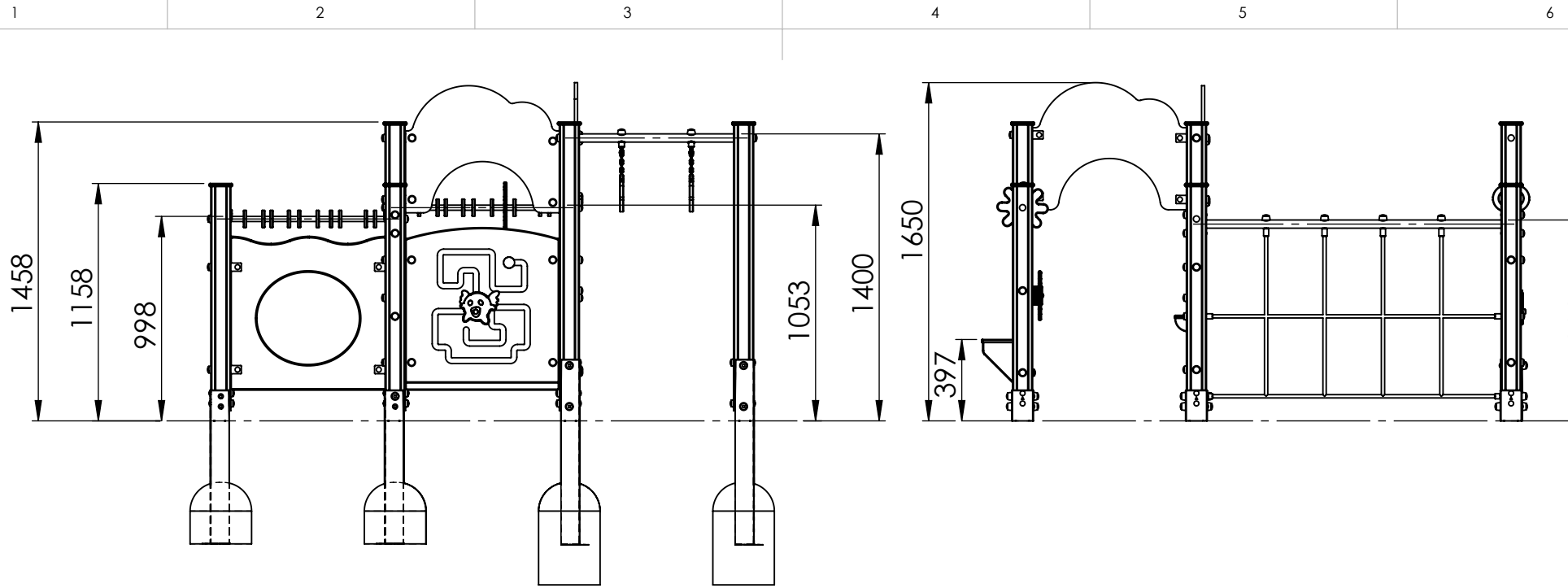
Tiptap ^{OU}

A4

WEIGHT:

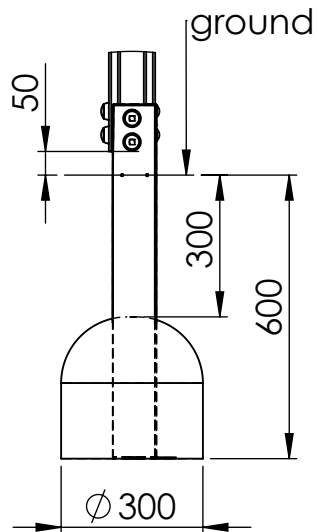
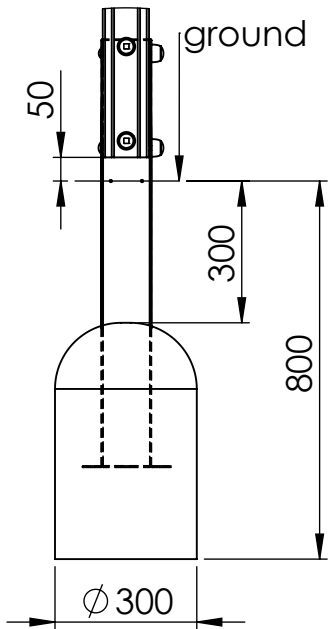
SCALE: 1:50

SHEET 3 OF 14



foundation post
A, B

foundation posts
C-H



UNLESS OTHERWISE SPECIFIED:
DIMENSIONS ARE IN MILLIMETERS
WEIGHT ARE IN KILOGRAMM

	NAME	SIGNATURE	DATE
DRAWN	M.Kalamees		27/06/2024

Product code:

AW35

DESCRIPTION:

Activity wall for toddlers



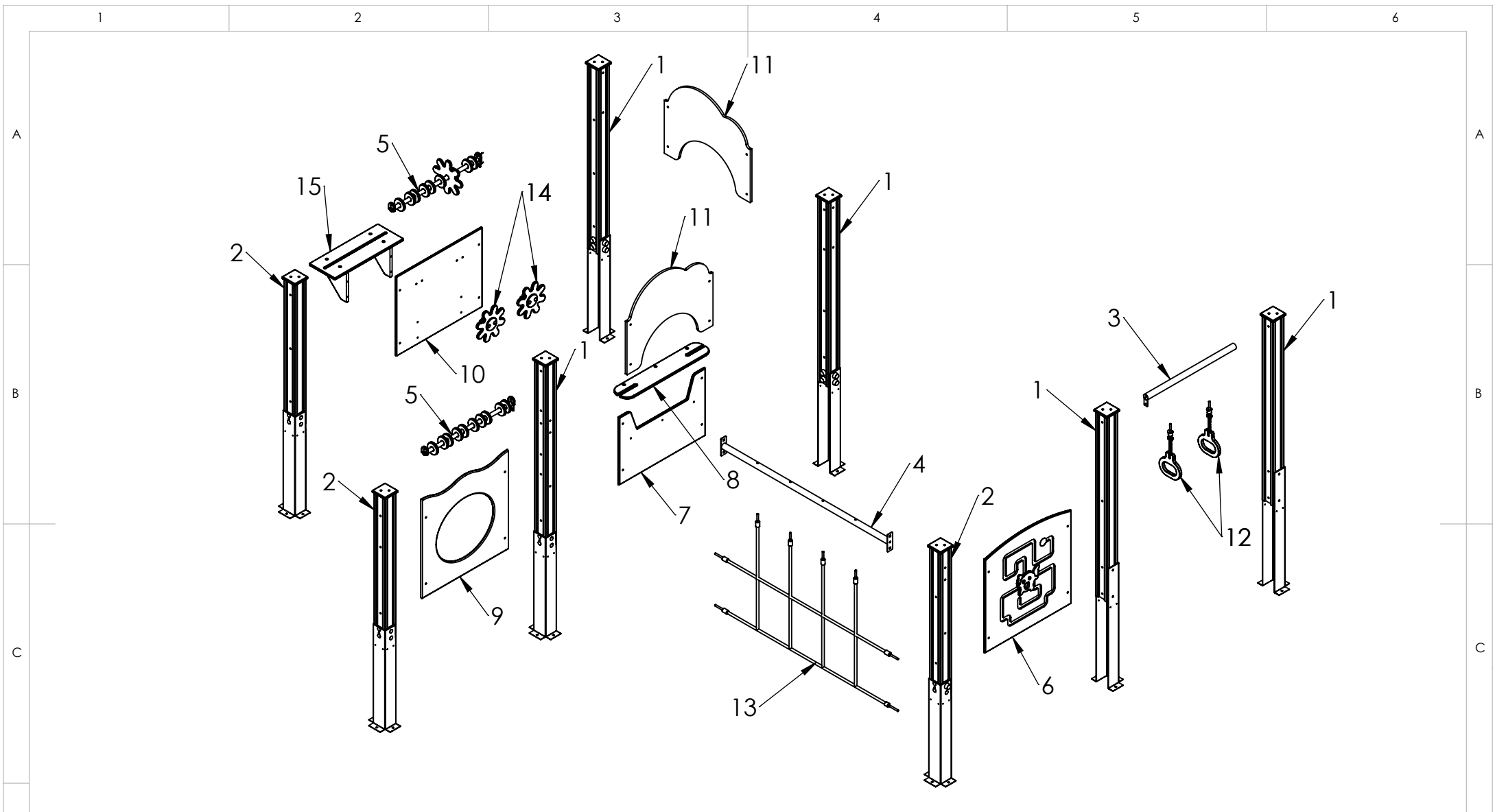
Tiptiptap^{ÖÜ}

WEIGHT:

SCALE: 1:50

A4

SHEET 4 OF 14



UNLESS OTHERWISE SPECIFIED:
 DIMENSIONS ARE IN MILLIMETERS
 WEIGHT ARE IN KILOGRAMM

Product code: **AW35**

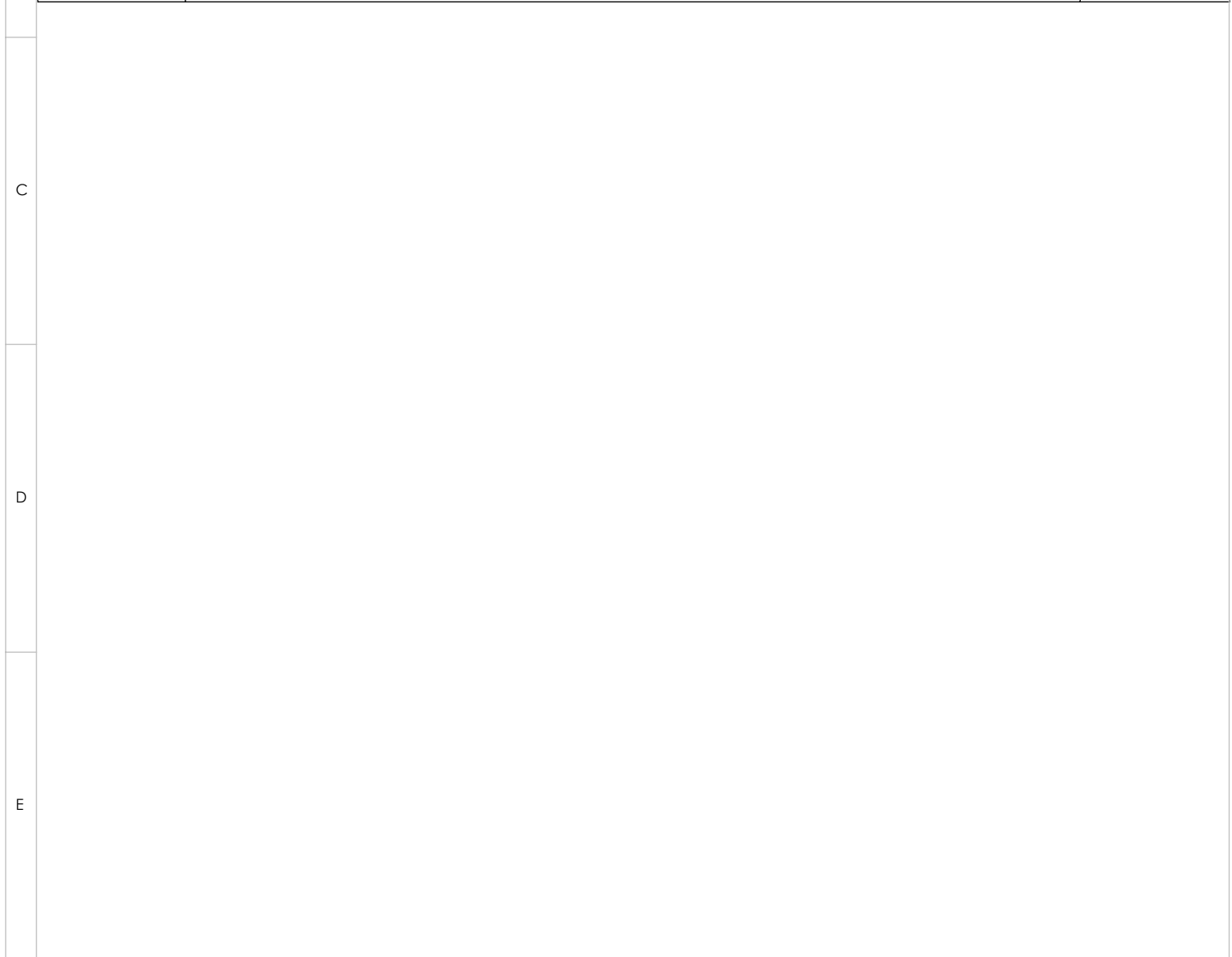
	NAME	SIGNATURE	DATE
DRAWN	M.Kalamees		27/06/2024


DESCRIPTION: **Activity wall for toddlers**



WEIGHT:	SCALE: 1:50	A4
		SHEET 5 OF 14

	1	2	3	4
	ITEM NO.	PART NUMBER		QTY.
A	1	AW35 post 98x98x1400		5
	2	AW35 post 98x98x1100		3
	3	40x770mm tube with 2 vertical holes		1
	4	AW35 tube for rope		1
	5	counting rings		2
	6	action panel AP11 Flyer, lower hole 100mm		1
	7	shop panel		1
B	8	table for shop panel		1
	9	wave panel with hole, lower hole 100mm		1
	10	rectangle panel, lower hole 85mm		1
	11	arch panel		2
	12	hanging handle		2
	13	AW35 ropes		1
	14	captain wheel		2
	15	playground seat		1



F	UNLESS OTHERWISE SPECIFIED: DIMENSIONS ARE IN MILLIMETERS WEIGHT ARE IN KILOGRAMM			Product code: AW35	
		NAME	SIGNATURE	DATE	DESCRIPTION: Activity wall for toddlers
	DRAWN	M.Kalamees		27/06/2024	
	 Tiptiptap ^{ou}				A4
WEIGHT:			SCALE: 1:50	SHEET 6 OF 14	

Wood profile post cap and U-profile groundfixing assembly

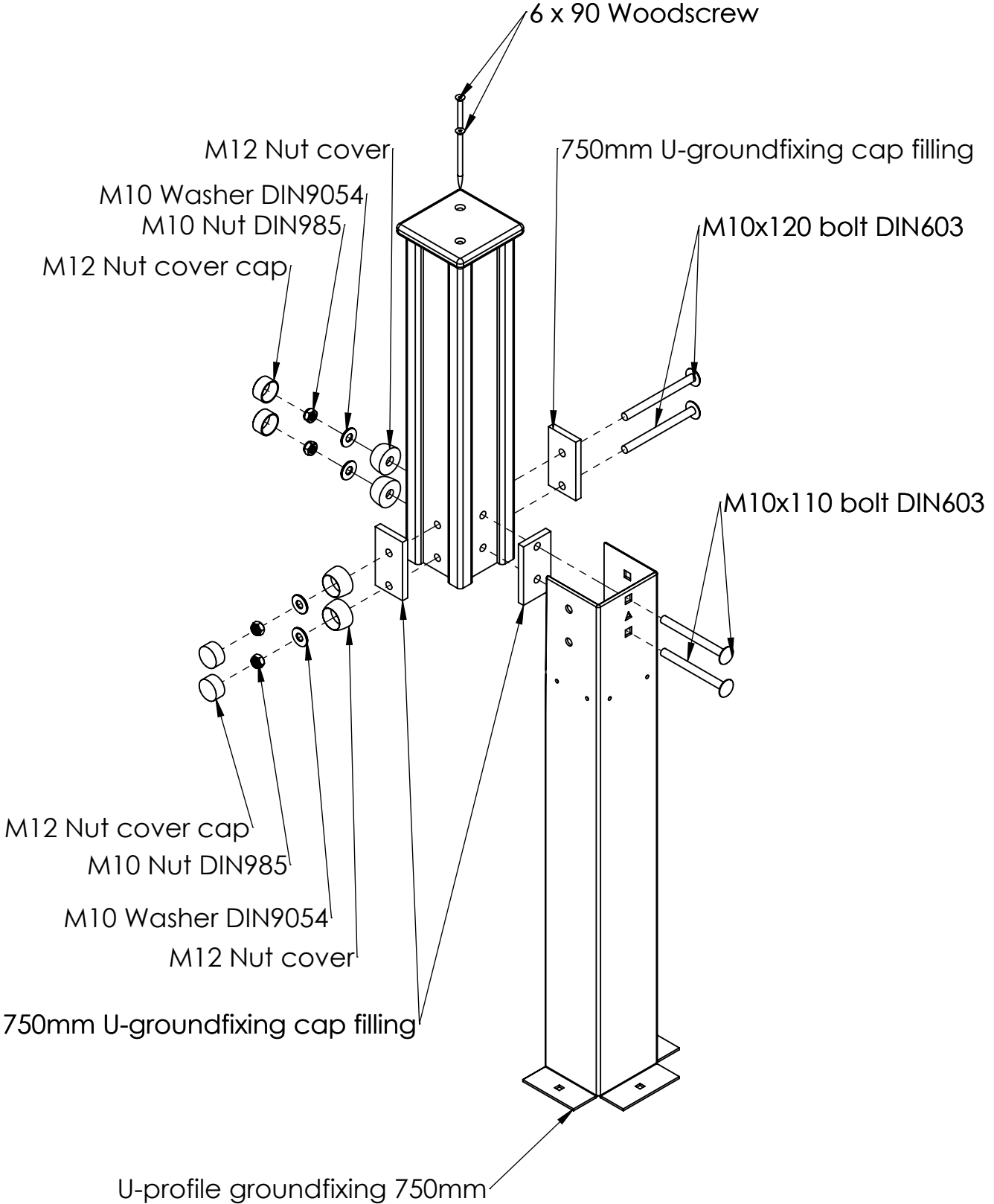
A

B

C

D

E



UNLESS OTHERWISE SPECIFIED:
DIMENSIONS ARE IN MILLIMETERS
WEIGHT ARE IN KILOGRAMM

Product code: **AW35**

	NAME	SIGNATURE	DATE
DRAWN	M.Kalamees		27/06/2024

DESCRIPTION: **Activity wall for toddlers**



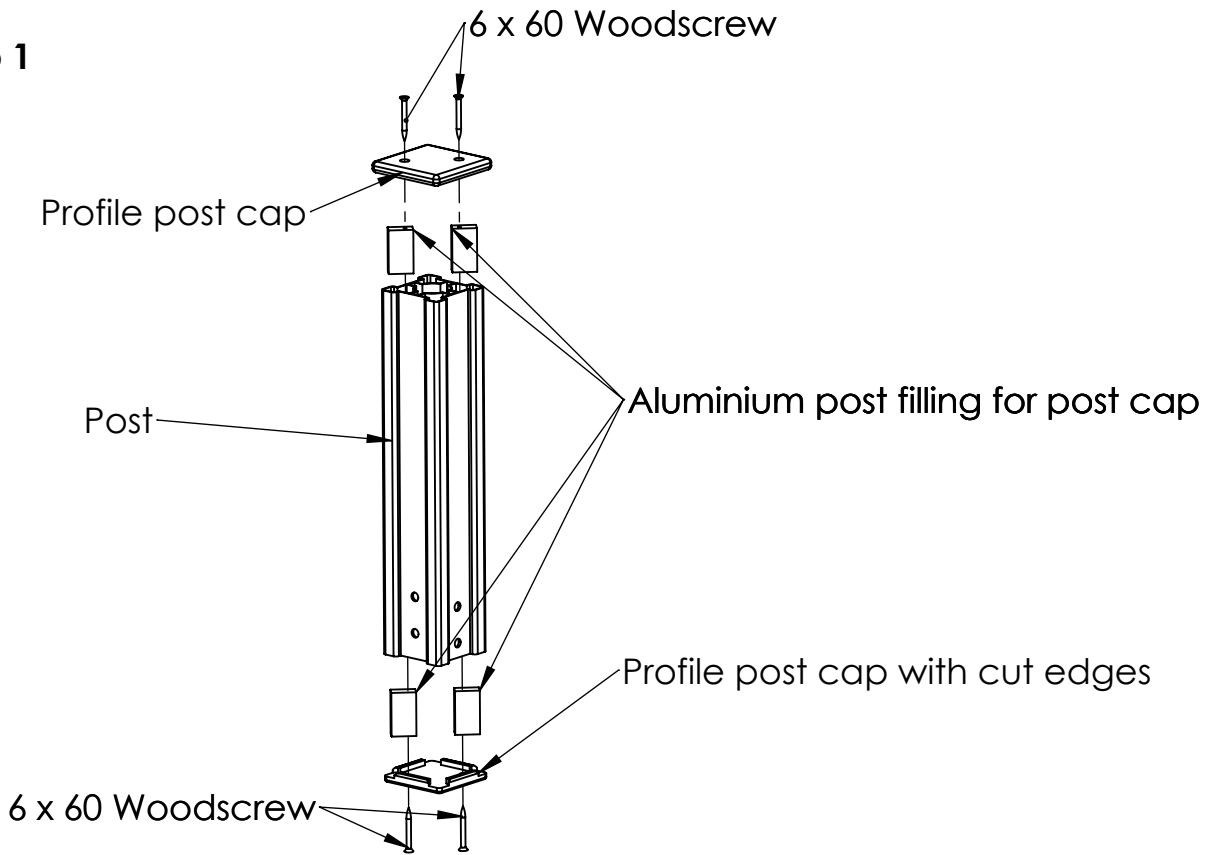
WEIGHT:	SCALE: 1:7	A4
		SHEET 7 OF 14

F

Aluminium profile post cap and 750mm U-profile groundfixing assembly

A

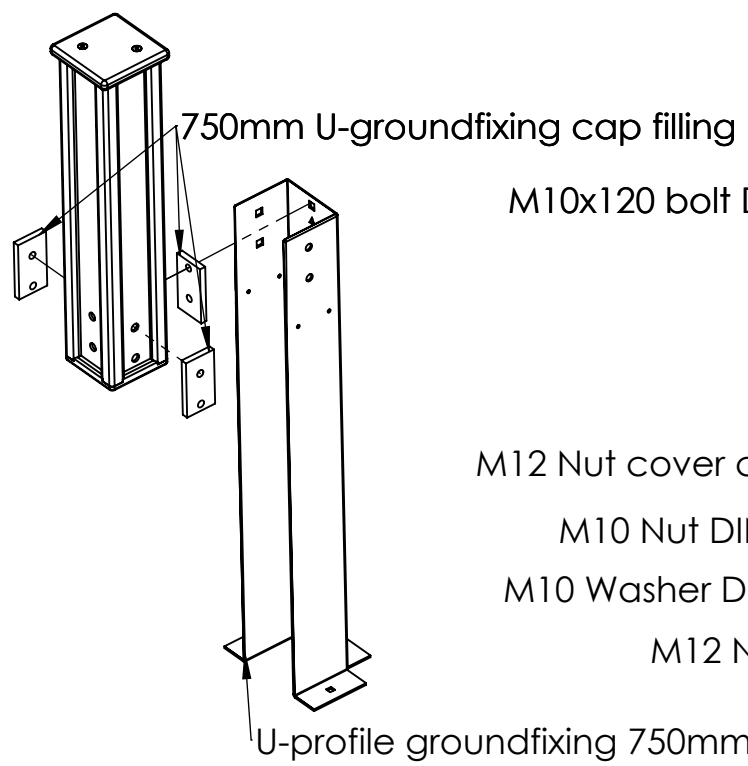
Step 1



B

C

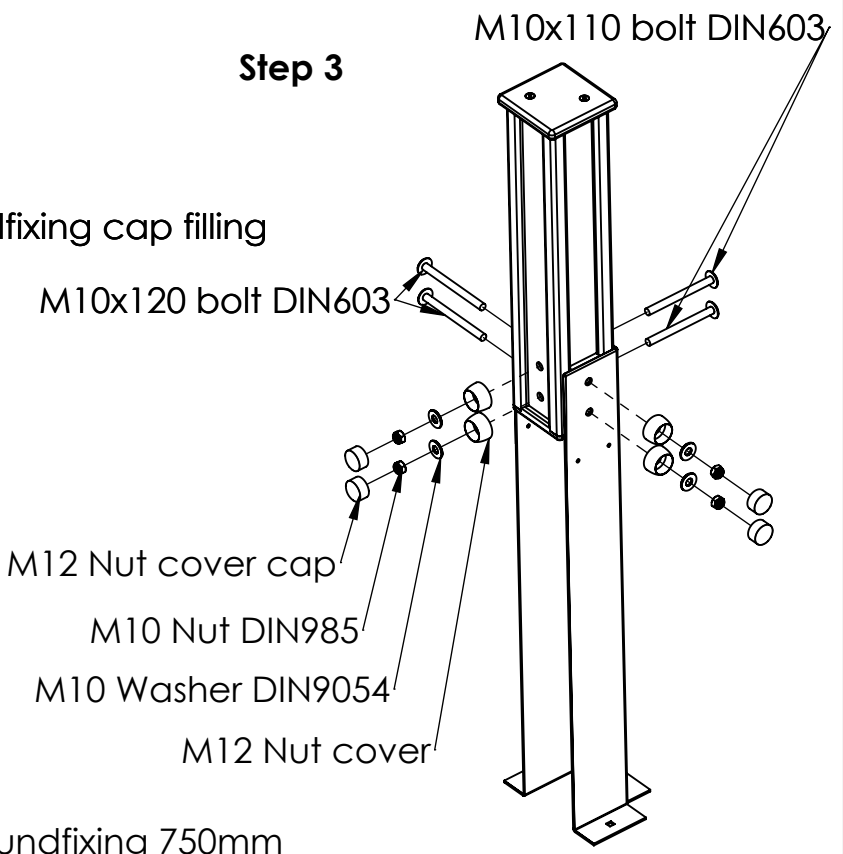
Step 2



D

E

Step 3



F

UNLESS OTHERWISE SPECIFIED:
DIMENSIONS ARE IN MILLIMETERS
WEIGHT ARE IN KILOGRAMM

Product code: **AW35**

DESCRIPTION: **Activity wall for toddlers**

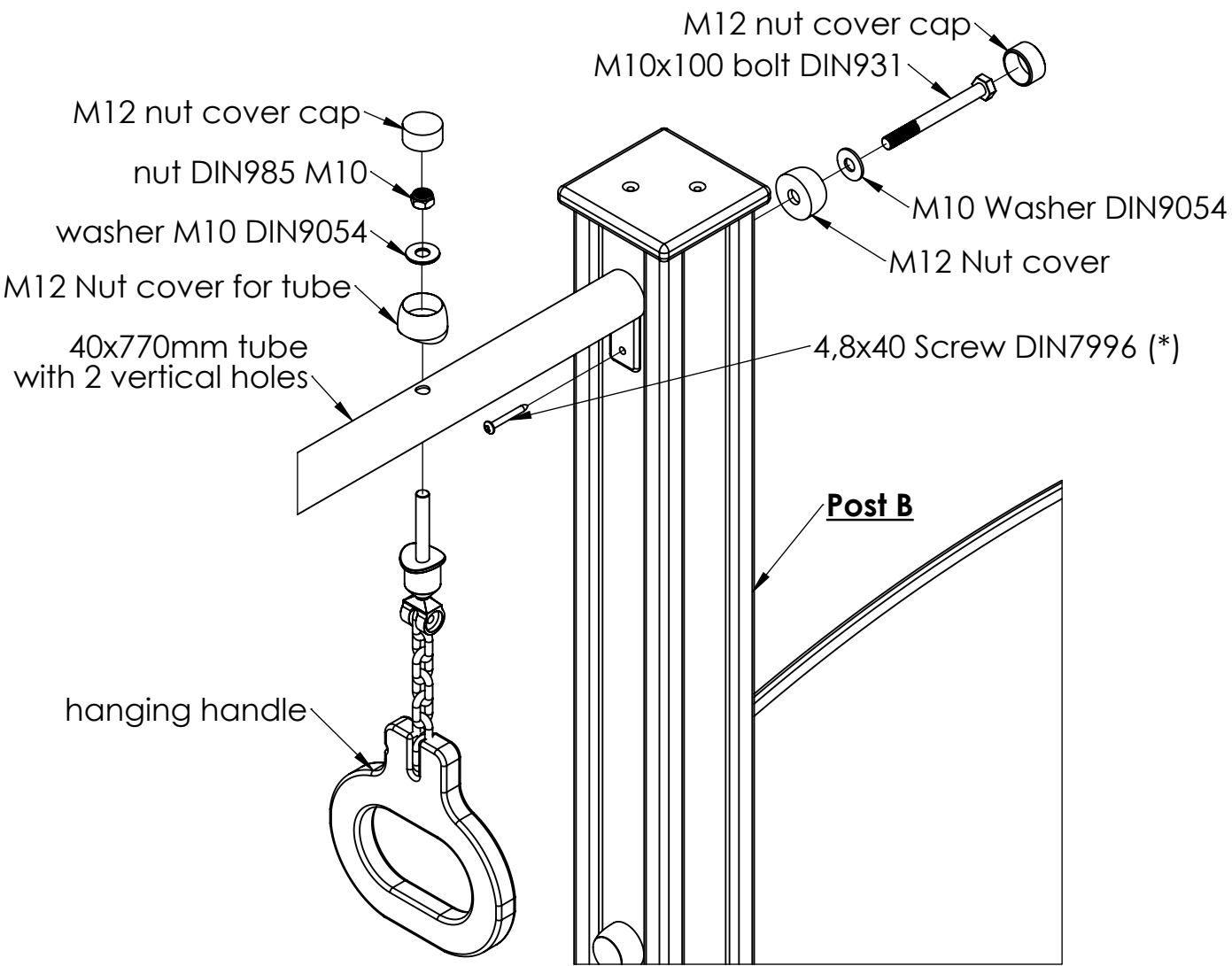
WEIGHT: SCALE: 1:10 SHEET 8 OF 14

	NAME	SIGNATURE	DATE
DRAWN	M.Kalamees		27/06/2024



A4

A

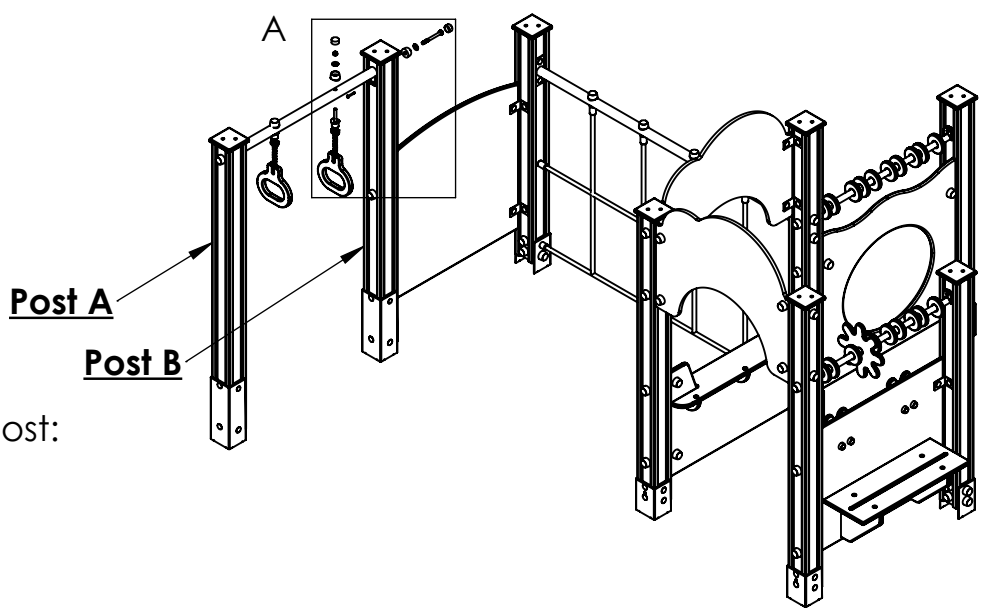


B

C

D

DETAIL A
SCALE 1 : 5



E

NB(*)!
 In case of aluminium post:
 - M6 Nut cover
 - 5,5x50 DIN7504-K
 - M6 Nut cover cap

F

UNLESS OTHERWISE SPECIFIED:
 DIMENSIONS ARE IN MILLIMETERS
 WEIGHT ARE IN KILOGRAMM

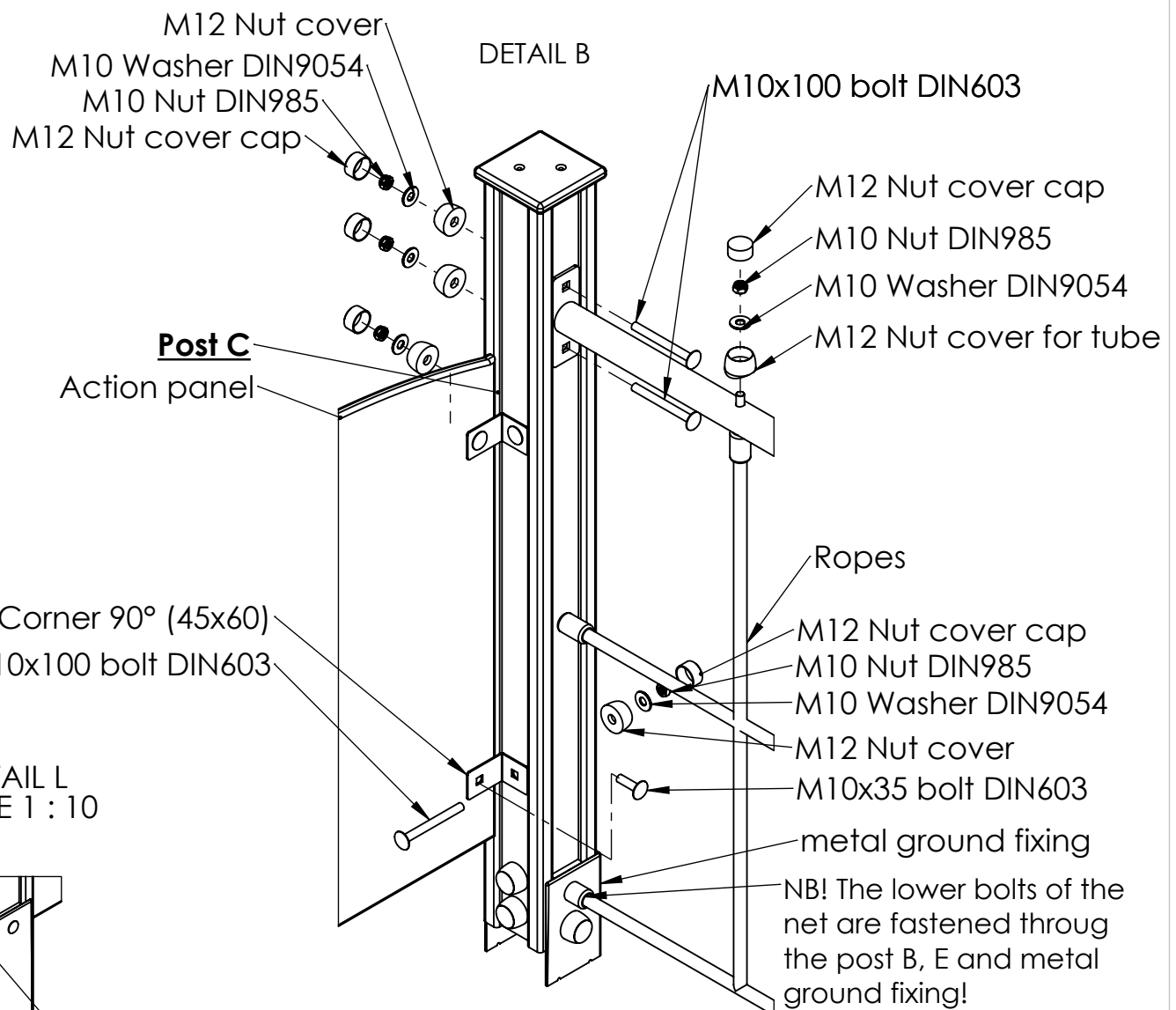
Product code:
AW35

DESCRIPTION:
Activity wall for toddlers

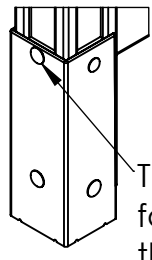
WEIGHT:	SCALE: 1:50	A4
		SHEET 9 OF 14



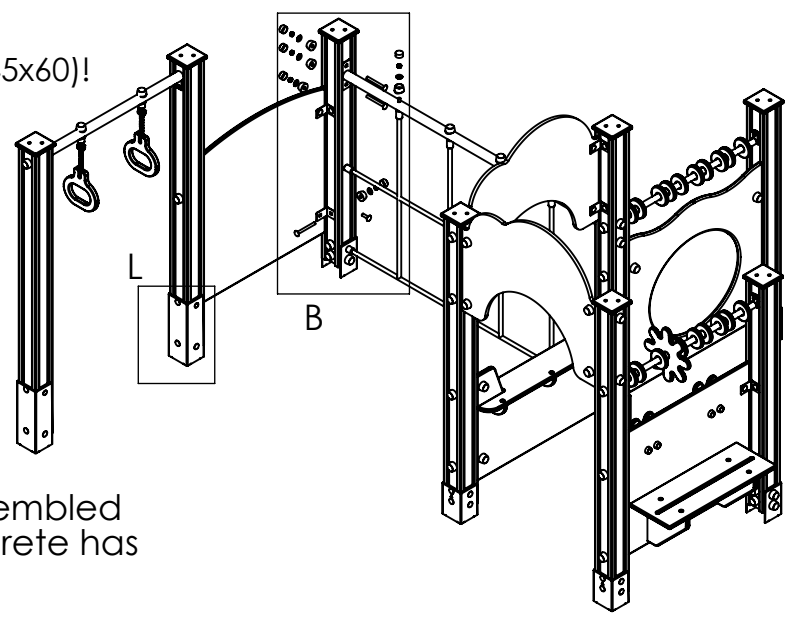
A
B
C
D
E




DETAIL L
SCALE 1 : 10



This bolt M10x110 is fastened through the ground fixing and corner 90° (45x60)!



NB! Ropes have to be assembled after the foundation concrete has hardened!!!

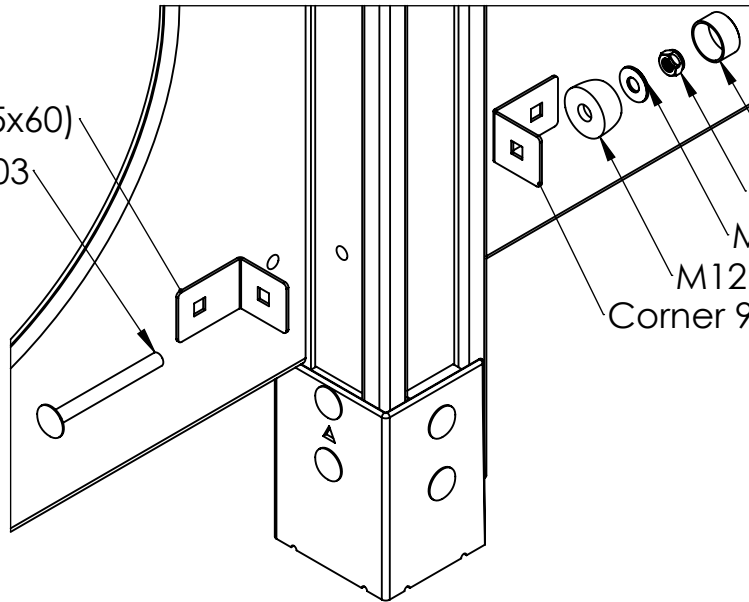
UNLESS OTHERWISE SPECIFIED: DIMENSIONS ARE IN MILLIMETERS WEIGHT ARE IN KILOGRAMM				Product code: AW35	
NAME	SIGNATURE	DATE	DESCRIPTION: Activity wall for toddlers		
DRAWN	M.Kalamees	27/06/2024			
 Tiptap ^{OU}					A4
			WEIGHT:	SCALE: 1:50	SHEET 10 OF 14

F

A

DETAIL C

Corner 90° (45x60)
M10x100 bolt DIN603

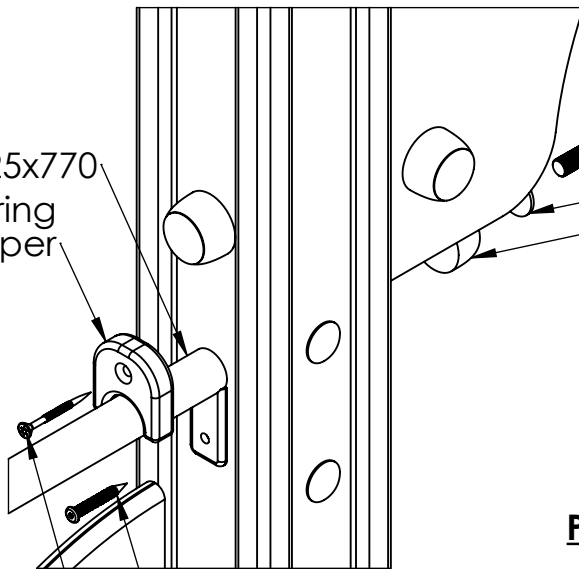


M12 Nut cover cap
M10 Nut DIN985
M10 Washer DIN9054
M12 Nut cover
Corner 90° (45x60)

B

DETAIL D

Guardrail D25x770
Counting ring
stopper



M12 Nut cover cap
M10x100 bolt DIN931
M10 Washer DIN9054
M12 Nut cover

C

D

4,8x40 Screw DIN7996 (*)
4,5 x 50 Woodscrew

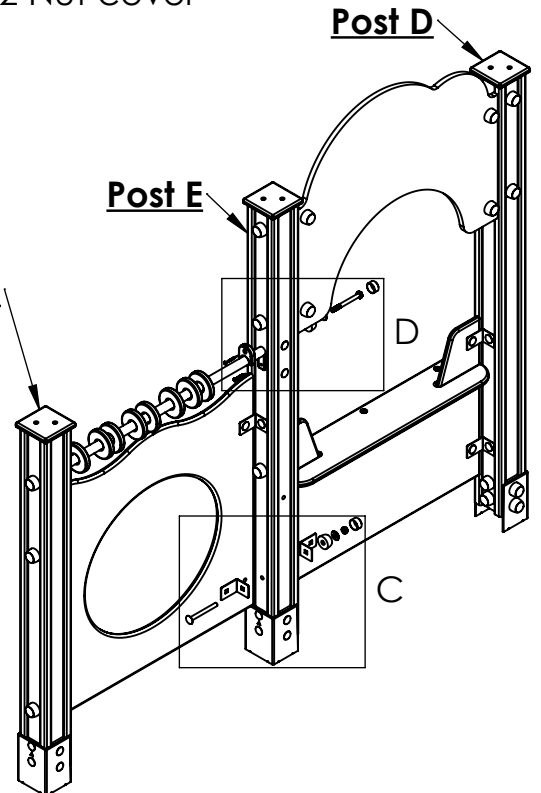
Post F

Post D

Post E

E

NB(*)!
In case of aluminium post:
- M6 Nut cover
- 5,5x50 DIN7504-K
- M6 Nut cover cap



UNLESS OTHERWISE SPECIFIED:
DIMENSIONS ARE IN MILLIMETERS
WEIGHT ARE IN KILOGRAMM

Product code:

AW35

NAME

SIGNATURE

DATE

DRAWN

M.Kalamees

27/06/2024

DESCRIPTION:

Activity wall for toddlers

F



Tiptap^{OU}

WEIGHT:

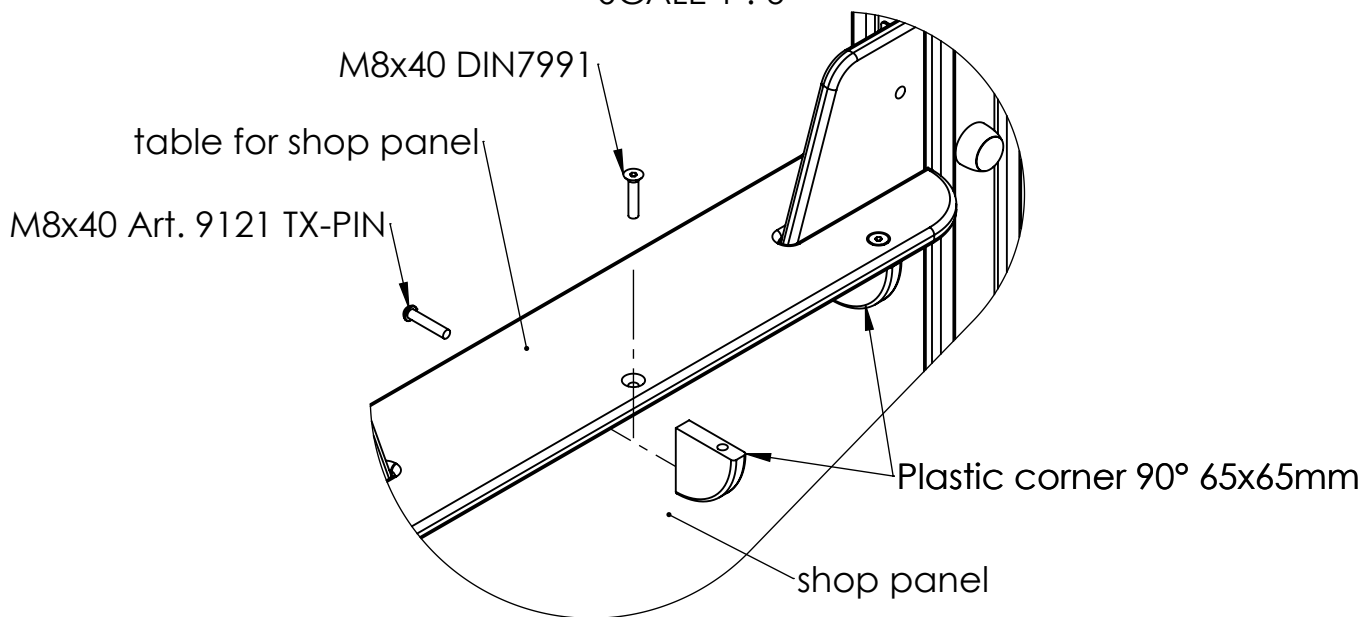
SCALE: 1:50

A4

SHEET 11 OF 14

A

DETAIL E
SCALE 1 : 6

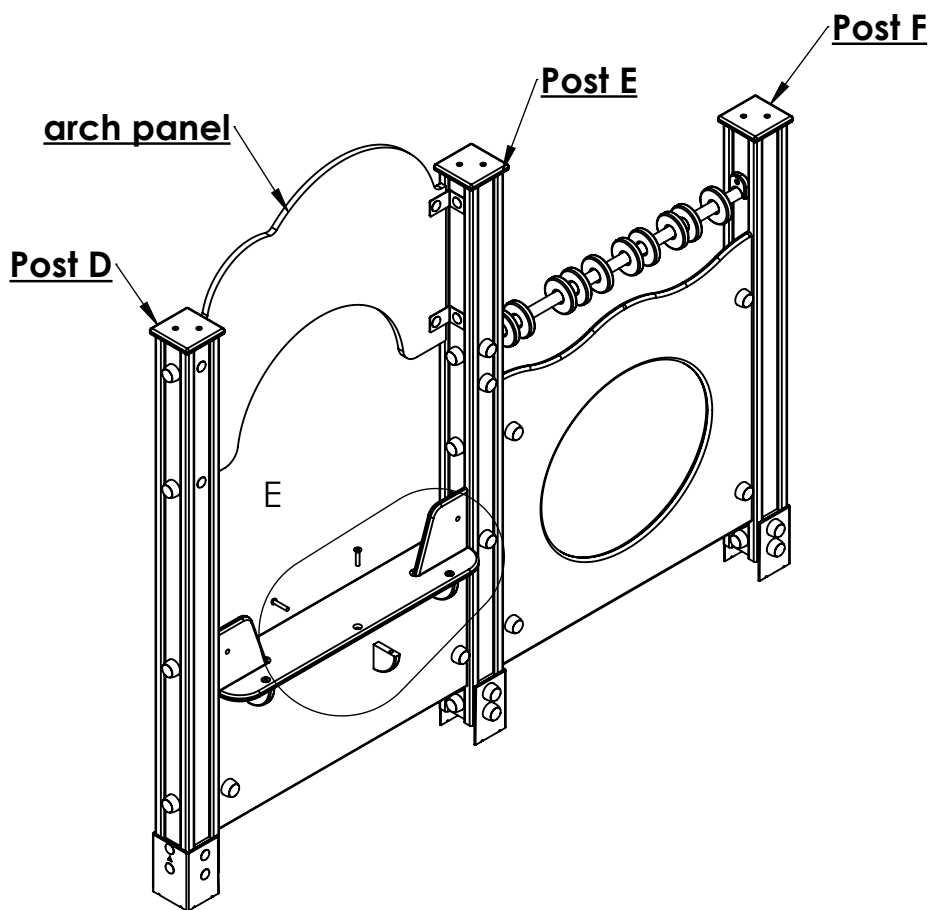


B

C

D

E



UNLESS OTHERWISE SPECIFIED:
DIMENSIONS ARE IN MILLIMETERS
WEIGHT ARE IN KILOGRAMM

Product code:

AW35

NAME

SIGNATURE

DATE

DRAWN

M.Kalamees

27/06/2024

DESCRIPTION:

Activity wall for toddlers

F



Tiptap^{ÖÜ}

WEIGHT:

SCALE: 1:50

A4

SHEET 12 OF 14

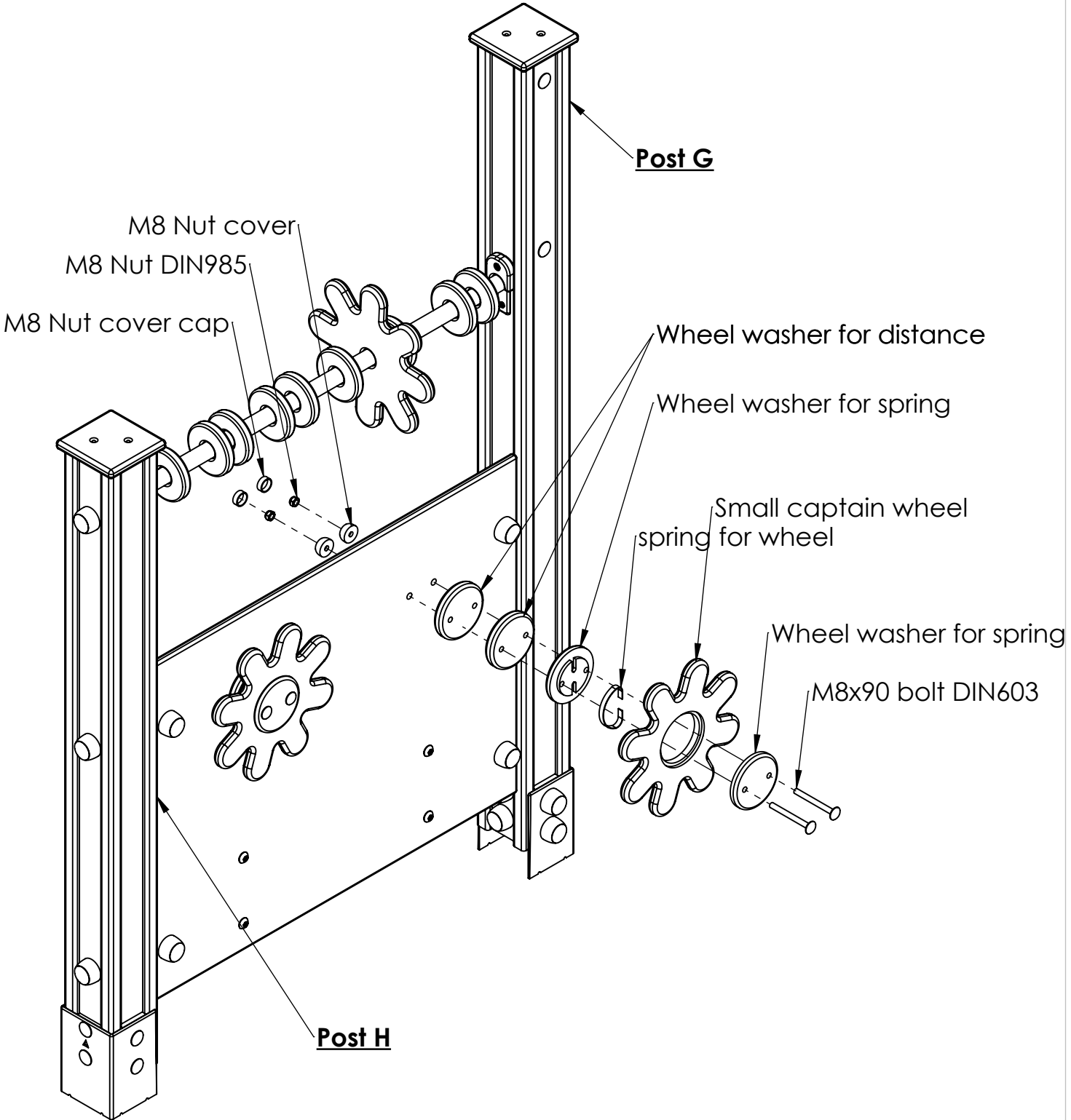
A

B

C

D

E



UNLESS OTHERWISE SPECIFIED:
 DIMENSIONS ARE IN MILLIMETERS
 WEIGHT ARE IN KILOGRAMM

Product code: **AW35**

	NAME	SIGNATURE	DATE
DRAWN	M.Kalamees		27/06/2024

DESCRIPTION: **Activity wall for toddlers**



WEIGHT:	SCALE: 1:20	A4
		SHEET 13 OF 14

A

B

C

D

E

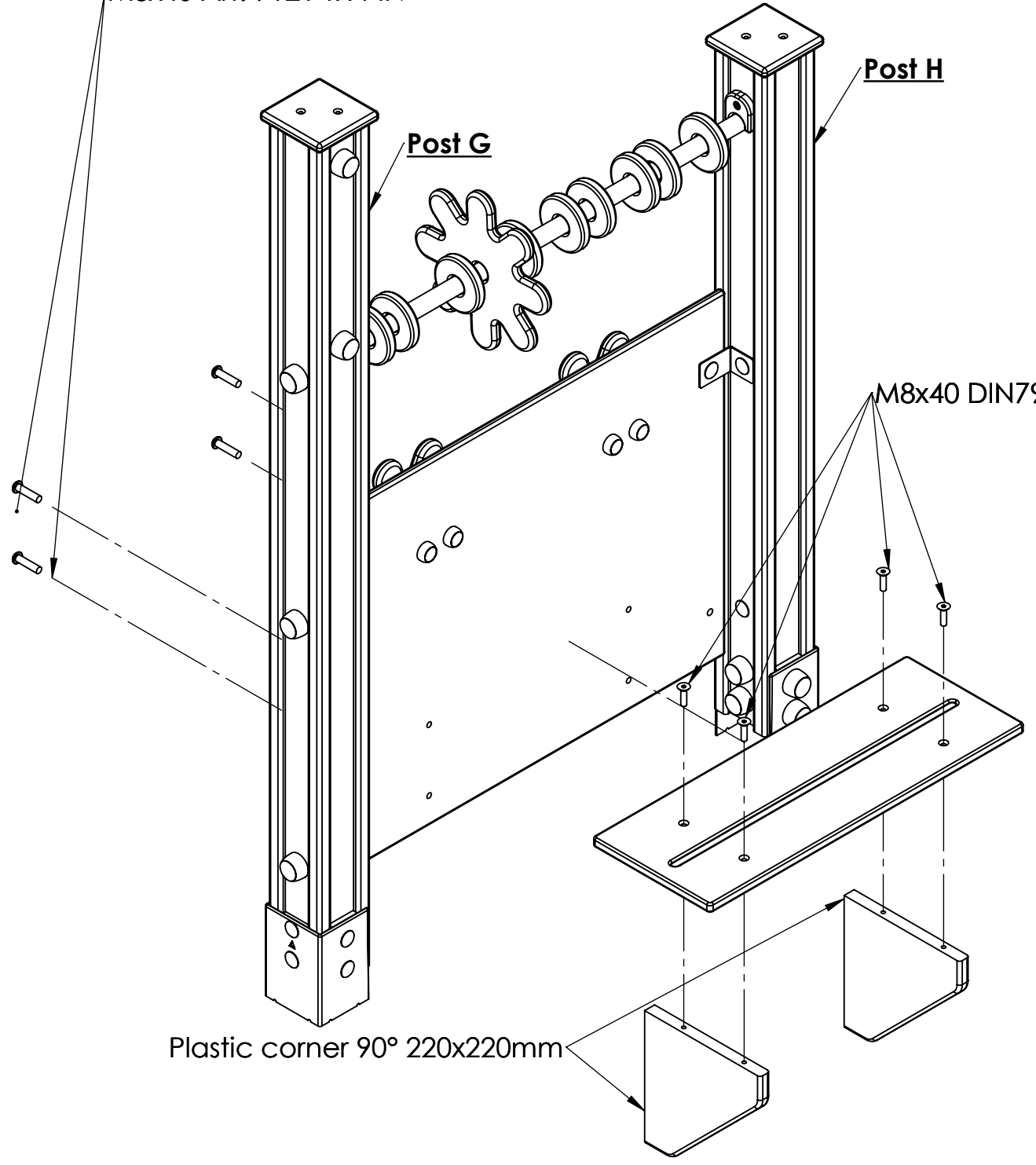
M8x40 Art. 9121 TX-PIN

Post G

Post H

M8x40 DIN7991

Plastic corner 90° 220x220mm



UNLESS OTHERWISE SPECIFIED:
 DIMENSIONS ARE IN MILLIMETERS
 WEIGHT ARE IN KILOGRAMM

Product code:

AW35

NAME

SIGNATURE

DATE

DRAWN

M.Kalamees

27/06/2024

DESCRIPTION:

Activity wall for toddlers

F



Tiptap ^{ÖÜ}

A4

WEIGHT:

SCALE: 1:50

SHEET 14 OF 14