

A

B

C

D

E

F



UNLESS OTHERWISE SPECIFIED:
 DIMENSIONS ARE IN MILLIMETERS
 WEIGHT ARE IN KILOGRAMM

PART NUMBER / DWG NO.:

VL66

	NAME	SIGNATURE	DATE	REVISION
DRAWN	E.Reispere		15.08.2025	
APPV'D				

DESCRIPTION:

Spring swing SNOW OWL



Tiptiptap^{ÖÜ}

MATERIAL:

wood, metal, plastic

A4

WEIGHT:

SCALE: 1:20

SHEET 1 OF 10

safety area

A

B

C

D

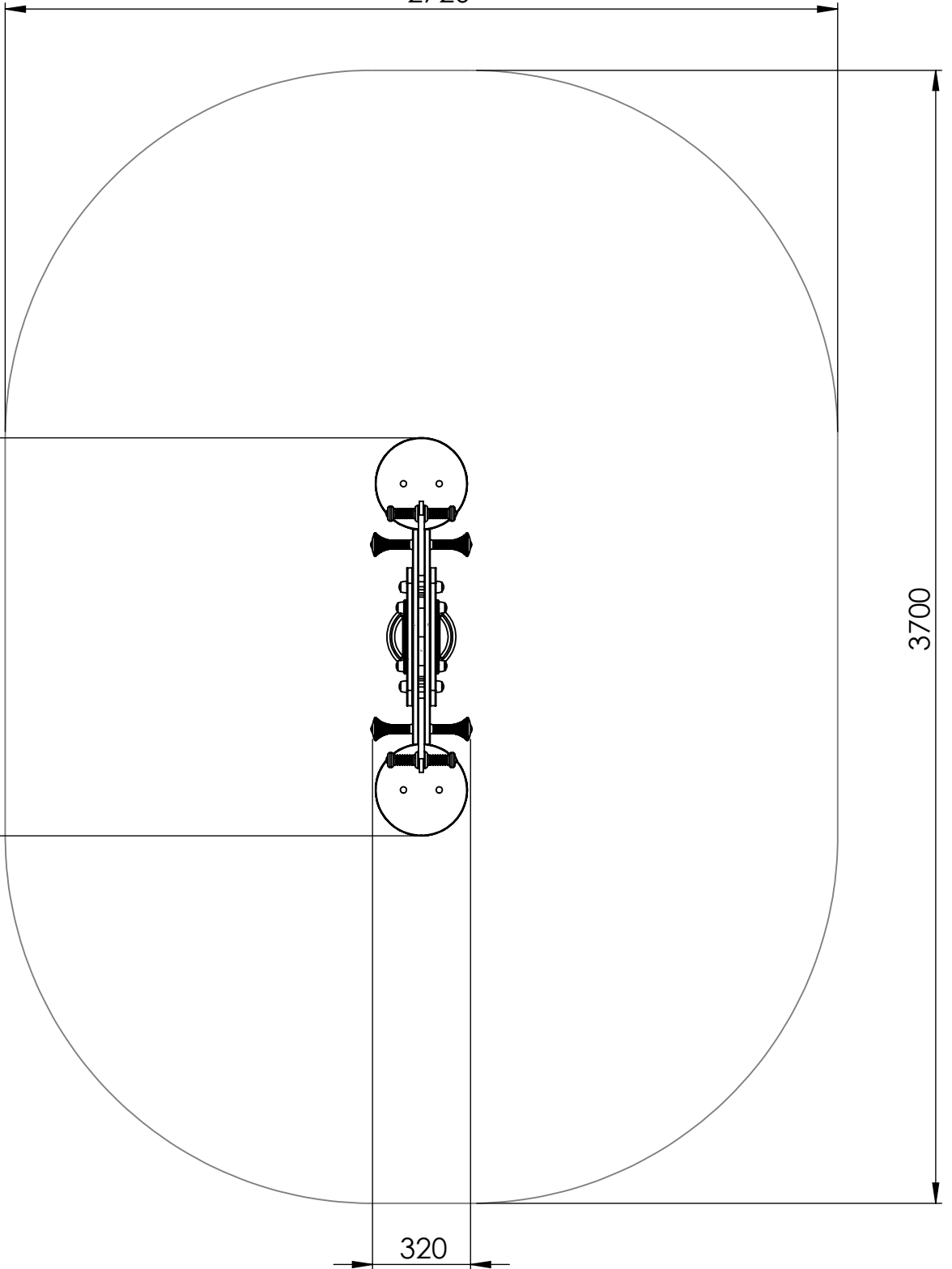
E

2720

1300

3700

320



UNLESS OTHERWISE SPECIFIED:
 DIMENSIONS ARE IN MILLIMETERS
 WEIGHT ARE IN KILOGRAMM

PART NUMBER / DWG NO.:

VL66

	NAME	SIGNATURE	DATE	REVISION
DRAWN	E.Reispere		15.08.2025	
APPV'D				

DESCRIPTION:

Spring swing SNOW OWL

F



Tiptiptap^{oü}

MATERIAL:

wood, metal, plastic

A4

WEIGHT:

SCALE: 1:20

SHEET 2 OF 10

foundation

A

B

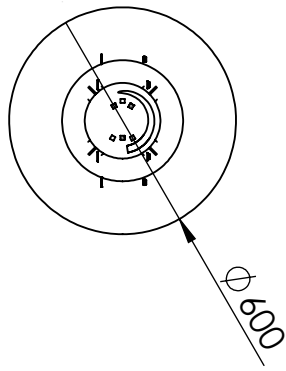
C

D

E

2720

3700



UNLESS OTHERWISE SPECIFIED: DIMENSIONS ARE IN MILLIMETERS WEIGHT ARE IN KILOGRAMM				
	NAME	SIGNATURE	DATE	REVISION
DRAWN	E.Reispere		15.08.2025	
APPV'D				

PART NUMBER / DWG NO.:
VL66

DESCRIPTION:
Spring swing SNOW OWL



MATERIAL:	wood, metal, plastic	A4
WEIGHT:	SCALE: 1:20	SHEET 3 OF 10

dimensions

A

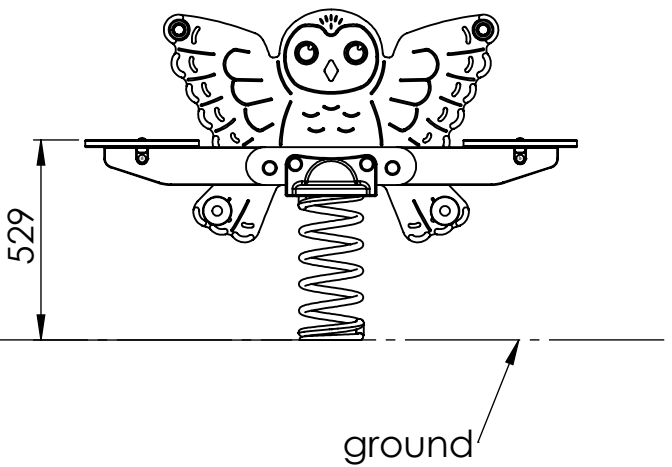
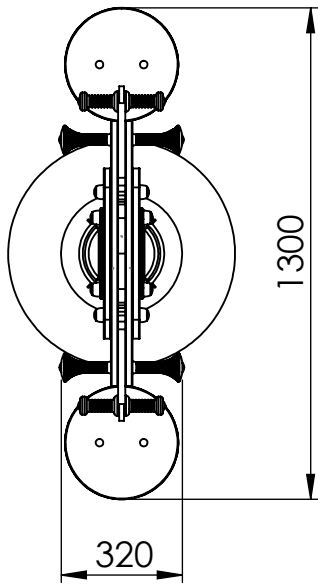
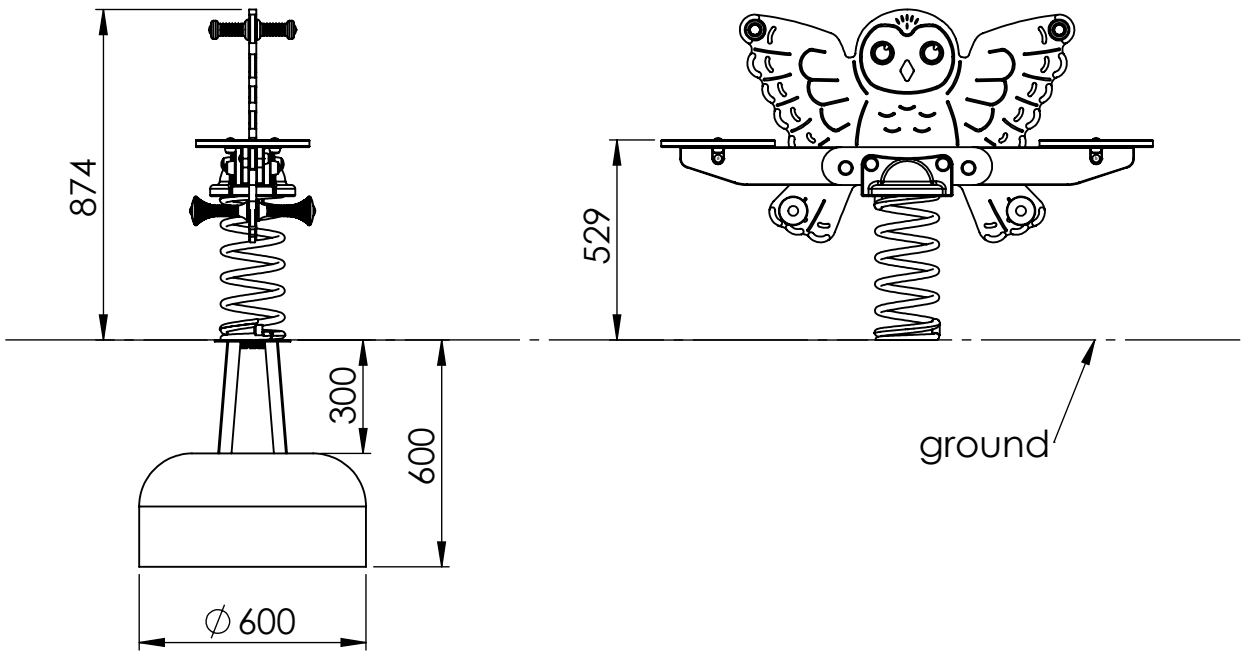
B

C

D

E

F



UNLESS OTHERWISE SPECIFIED: DIMENSIONS ARE IN MILLIMETERS WEIGHT ARE IN KILOGRAMM				
	NAME	SIGNATURE	DATE	REVISION
DRAWN	E.Reispere		15.08.2025	
APPV'D				

PART NUMBER / DWG NO.:	VL66
DESCRIPTION:	Spring swing SNOW OWL



MATERIAL:	wood, metal, plastic	A4
WEIGHT:	SCALE: 1:20	SHEET 4 OF 10

A

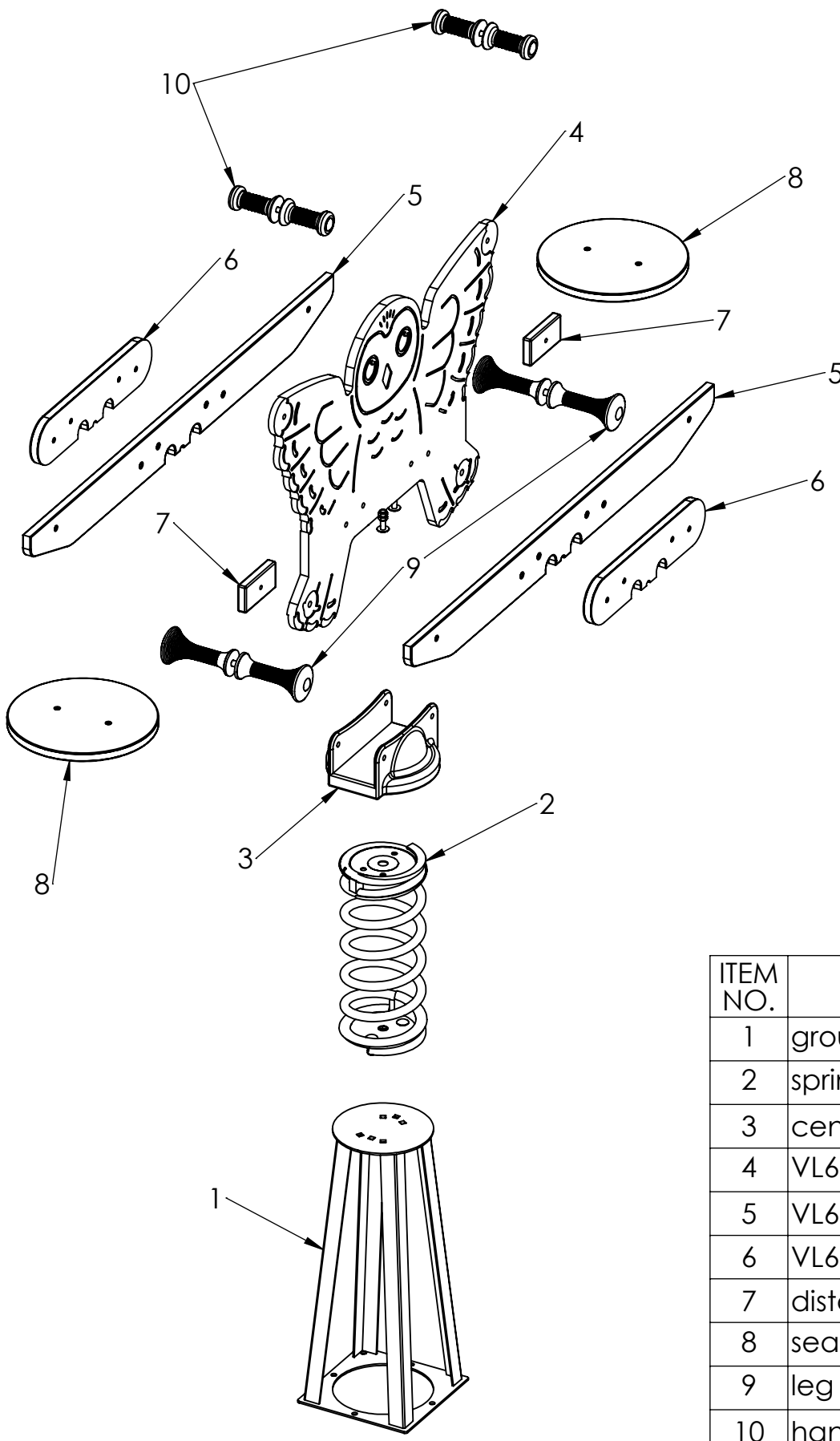
B

C

D

E

F



ITEM NO.	DESCRIPTION
1	ground fixing
2	spring with spring disk
3	central console
4	VL66 body panel
5	VL66 board 1
6	VL66 board 2
7	distance block
8	seat panel
9	leg support
10	handle

UNLESS OTHERWISE SPECIFIED:
 DIMENSIONS ARE IN MILLIMETERS
 WEIGHT ARE IN KILOGRAMM

PART NUMBER / DWG NO.:
VL66

	NAME	SIGNATURE	DATE	REVISION
DRAWN	E.Reispere		15.08.2025	
APPV'D				

DESCRIPTION:
Spring swing SNOW OWL



MATERIAL:	wood, metal, plastic	A4
WEIGHT:	SCALE: 1:20	SHEET 5 OF 10

A

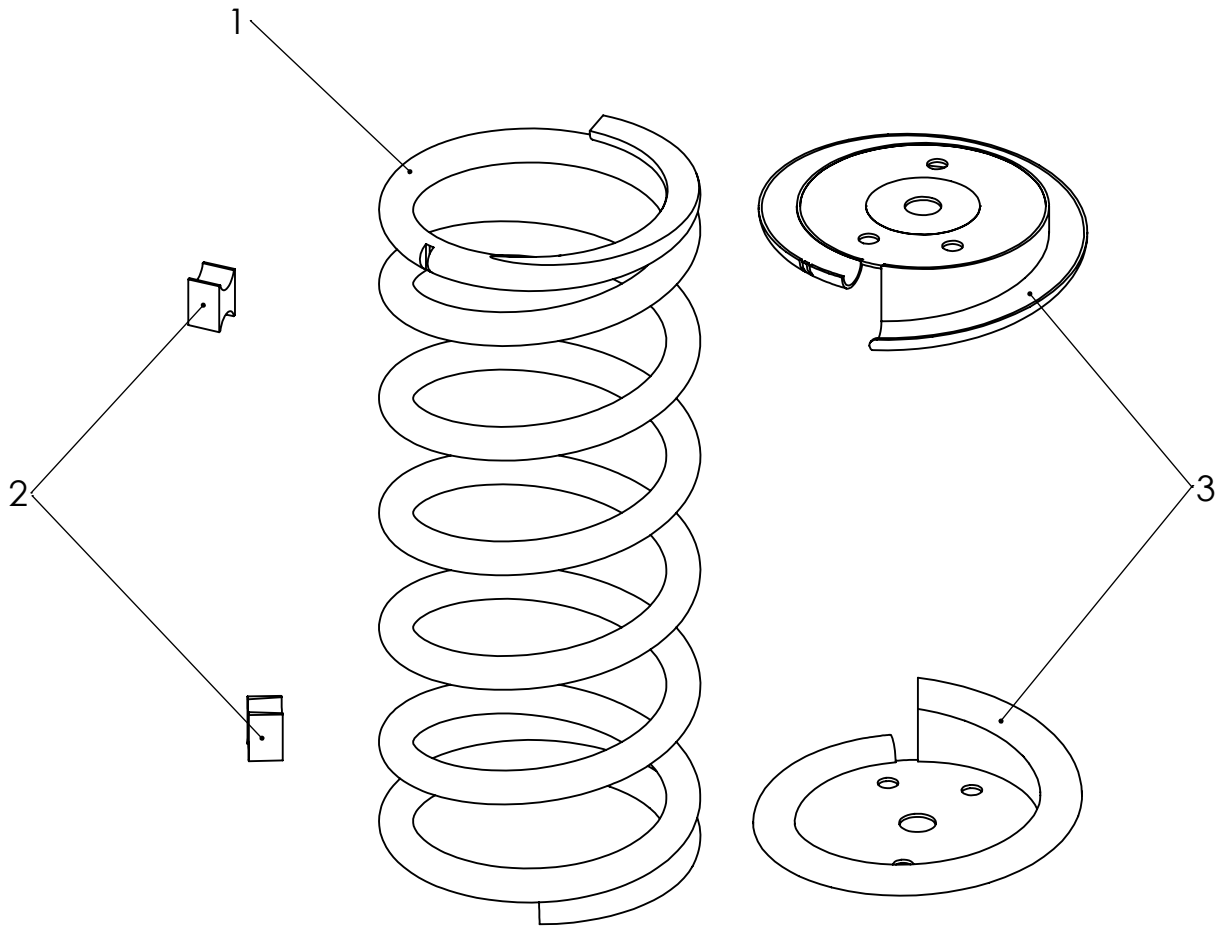
B

C

D

E

F



ITEM NO.	PART NUMBER	QTY.
1	spring	1
2	distance block	2
3	spring plate	2

UNLESS OTHERWISE SPECIFIED:
 DIMENSIONS ARE IN MILLIMETERS
 WEIGHT ARE IN KILOGRAMM

PART NUMBER / DWG NO.:

VL66

	NAME	SIGNATURE	DATE	REVISION
DRAWN	E.Reispere		15.08.2025	
APPV'D				

DESCRIPTION:

Spring swing SNOW OWL

MATERIAL:

wood, metal, plastic

A4

WEIGHT:

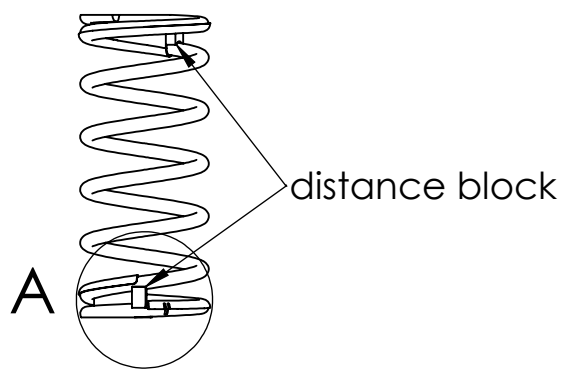
SCALE: 1:4

SHEET 6 OF 10

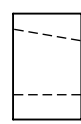
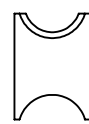
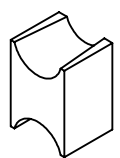


Tiptiptap ^{OO}

A



view 1



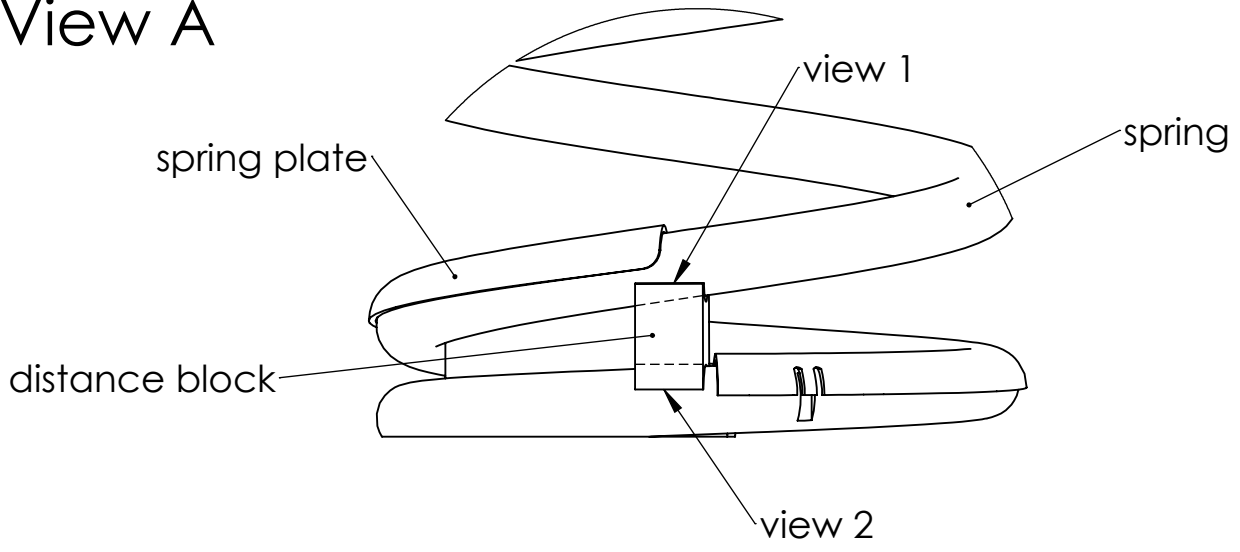
view 2



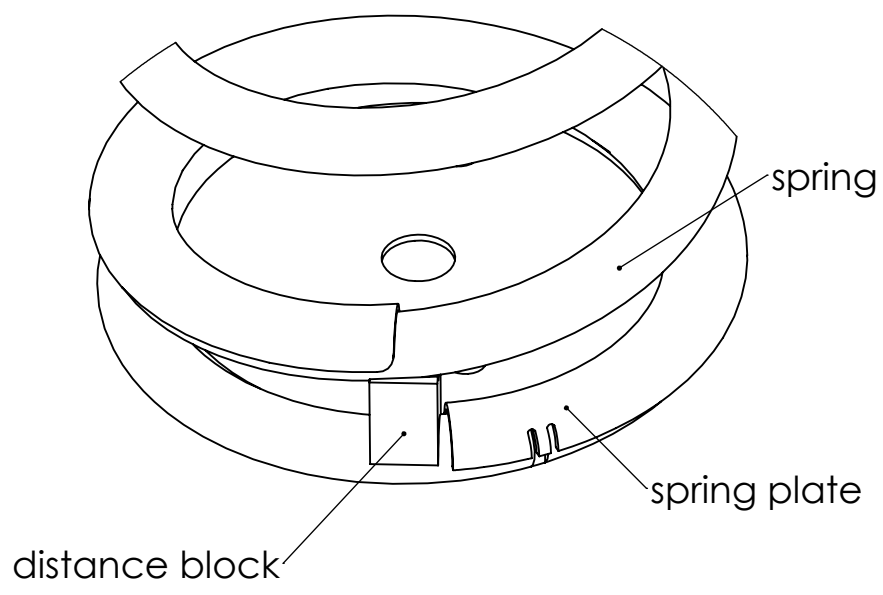
B

View A

C



D



E

F

UNLESS OTHERWISE SPECIFIED: DIMENSIONS ARE IN MILLIMETERS WEIGHT ARE IN KILOGRAMM				
	NAME	SIGNATURE	DATE	REVISION
DRAWN	E.Reispere		15.08.2025	
APPV'D				

PART NUMBER / DWG NO.: VL66

DESCRIPTION:
Spring swing SNOW OWL

MATERIAL: wood, metal, plastic A4

WEIGHT: SCALE: 1:4 SHEET 7 OF 10



Tiptiptap OÜ

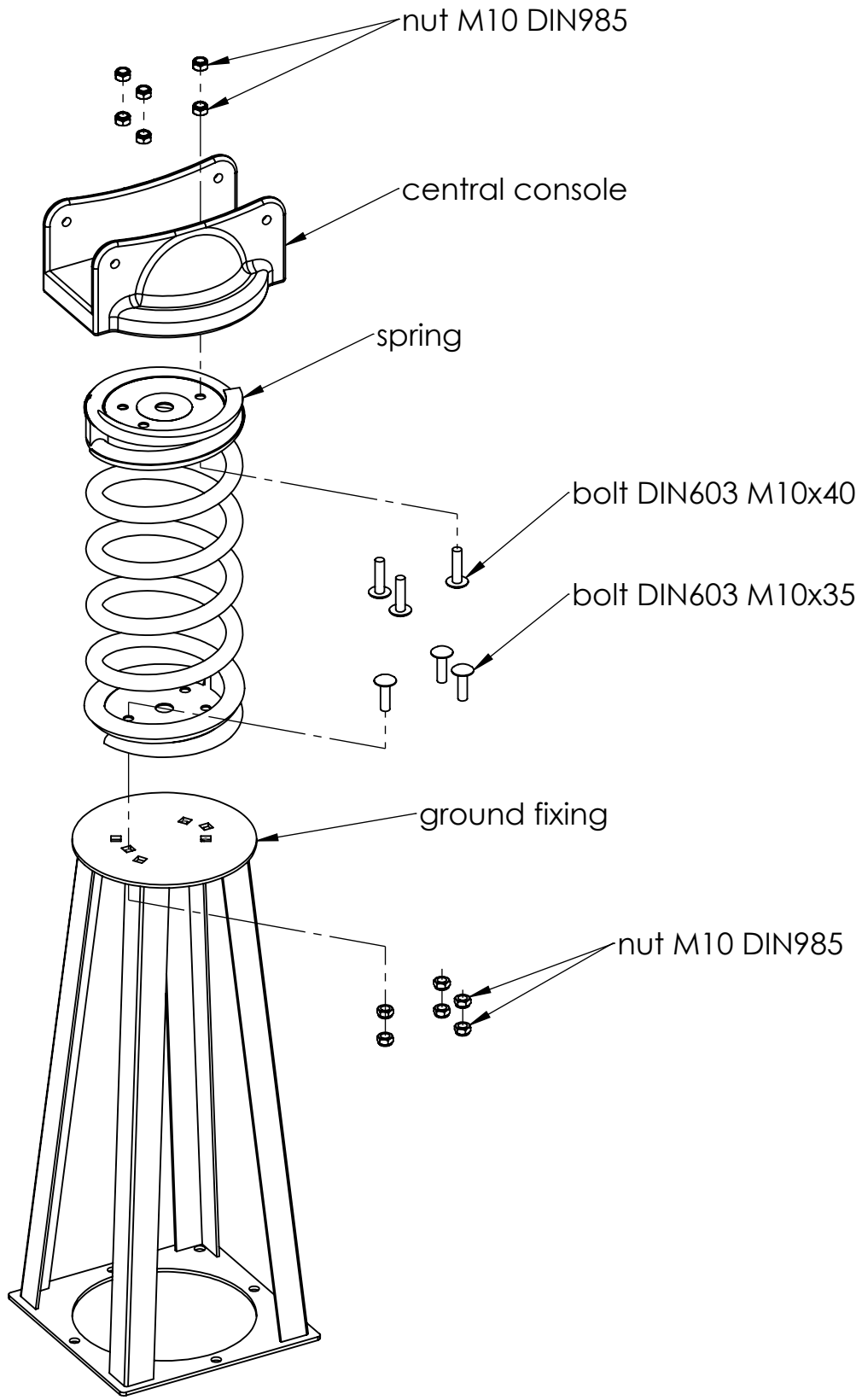
A

B

C

D

E



UNLESS OTHERWISE SPECIFIED:
 DIMENSIONS ARE IN MILLIMETERS
 WEIGHT ARE IN KILOGRAMM

PART NUMBER / DWG NO.:
VL66

	NAME	SIGNATURE	DATE	REVISION
DRAWN	E.Reispere		15.08.2025	
APPV'D				

DESCRIPTION:
Spring swing SNOW OWL

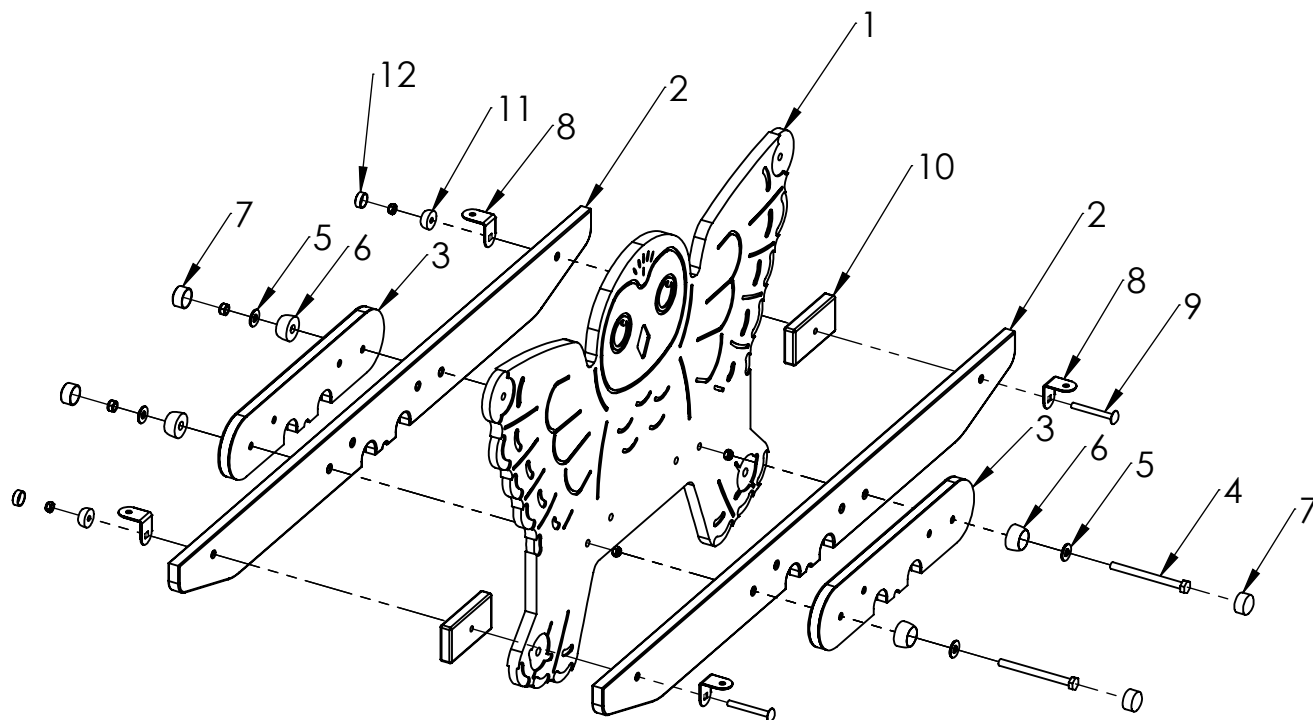


MATERIAL:	wood, metal, plastic	A4
WEIGHT:	SCALE: 1:20	SHEET 8 OF 10

A

B

C



D

E

ITEM NO.	DESCRIPTION
1	VL66 body panel
2	VL66 board 1
3	VL66 board 2
4	bolt M10x120 DIN931
5	washer M10 DIN9054
6	nut cover M12
7	nut cover cap M12
8	corner 45x48
9	bolt M8x70 DIN603
10	distance block
11	nut cover M8
12	nut cover cup M8
13	nut M8 DIN985
14	nut M10 DIN985

UNLESS OTHERWISE SPECIFIED:
DIMENSIONS ARE IN MILLIMETERS
WEIGHT ARE IN KILOGRAMM

PART NUMBER / DWG NO.:

VL66

	NAME	SIGNATURE	DATE	REVISION
DRAWN	E.Reispere		15.08.2025	
APPV'D				

DESCRIPTION:

Spring swing SNOW OWL

MATERIAL:

wood, metal, plastic

A4

WEIGHT:

SCALE: 1:20

SHEET 9 OF 10



Tiptap OÜ

F

A

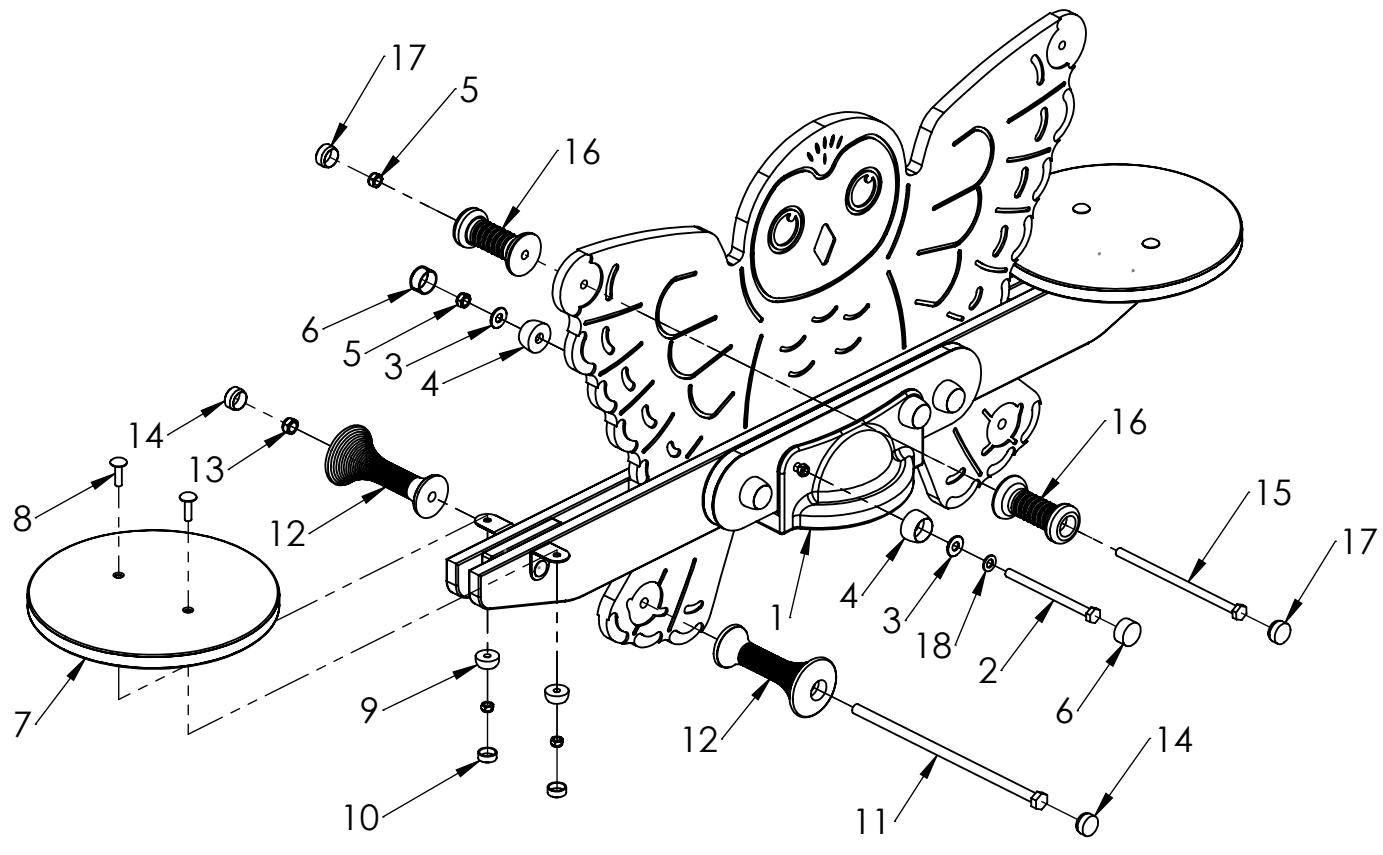
B

C

D

E

F



ITEM NO.	DESCRIPTION
1	central console
2	bolt M10x140 DIN931
3	washer M10 DIN9054
4	nut cover M12
5	nut M10 DIN985
6	nut cover cap M12
7	seat panel
8	bolt M8x30 DIN603
9	nut cover M8
10	nut cover cup M8
11	bolt M12x305 DIN931
12	leg support
13	galvanized steel
14	leg holder cap
15	bolt M10x200 DIN931
16	handle
17	handle cap
18	washer M10 DIN125

UNLESS OTHERWISE SPECIFIED: DIMENSIONS ARE IN MILLIMETERS WEIGHT ARE IN KILOGRAMM				
	NAME	SIGNATURE	DATE	REVISION
DRAWN	E.Reispere		15.08.2025	
APPV'D				

PART NUMBER / DWG NO.:	VL66
DESCRIPTION:	Spring swing SNOW OWL



MATERIAL:	wood, metal, plastic	A4
WEIGHT:	SCALE: 1:20	SHEET 10 OF 10