

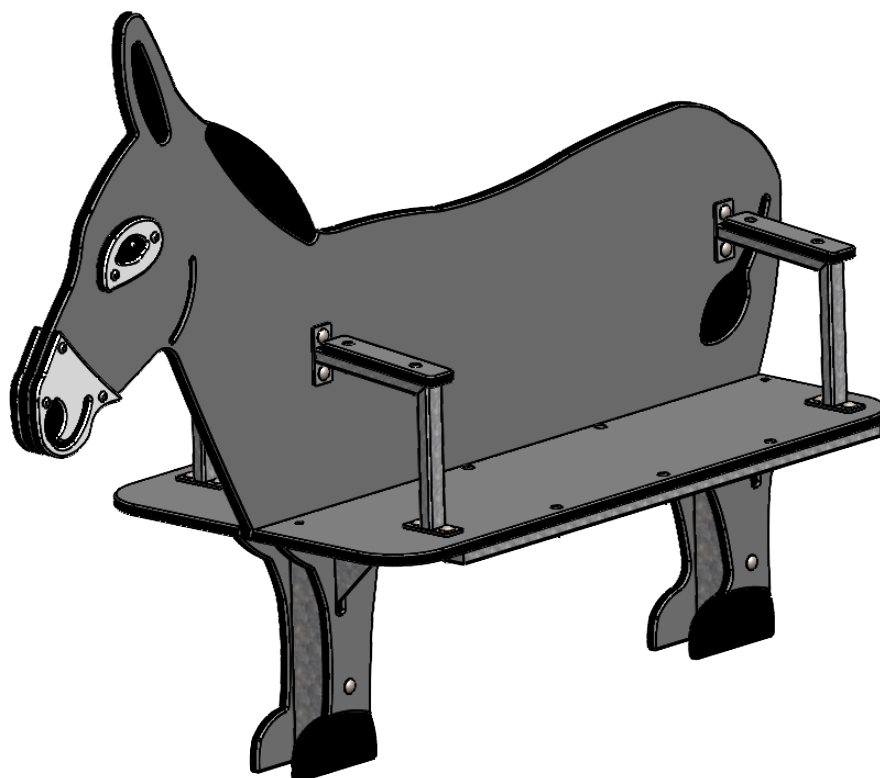
A

B

C

D

E



UNLESS OTHERWISE SPECIFIED:
 DIMENSIONS ARE IN MILLIMETERS
 WEIGHT ARE IN KILOGRAMM

Product code:

IPK204

NAME

SIGNATURE

DATE

DRAWN

I.Agar

01.04.2024

DESCRIPTION:

Two-sided seat Donkey



Tiptiptap^{OO}

A4

WEIGHT:

SCALE: 1:10

SHEET 1 OF 6

Safety area

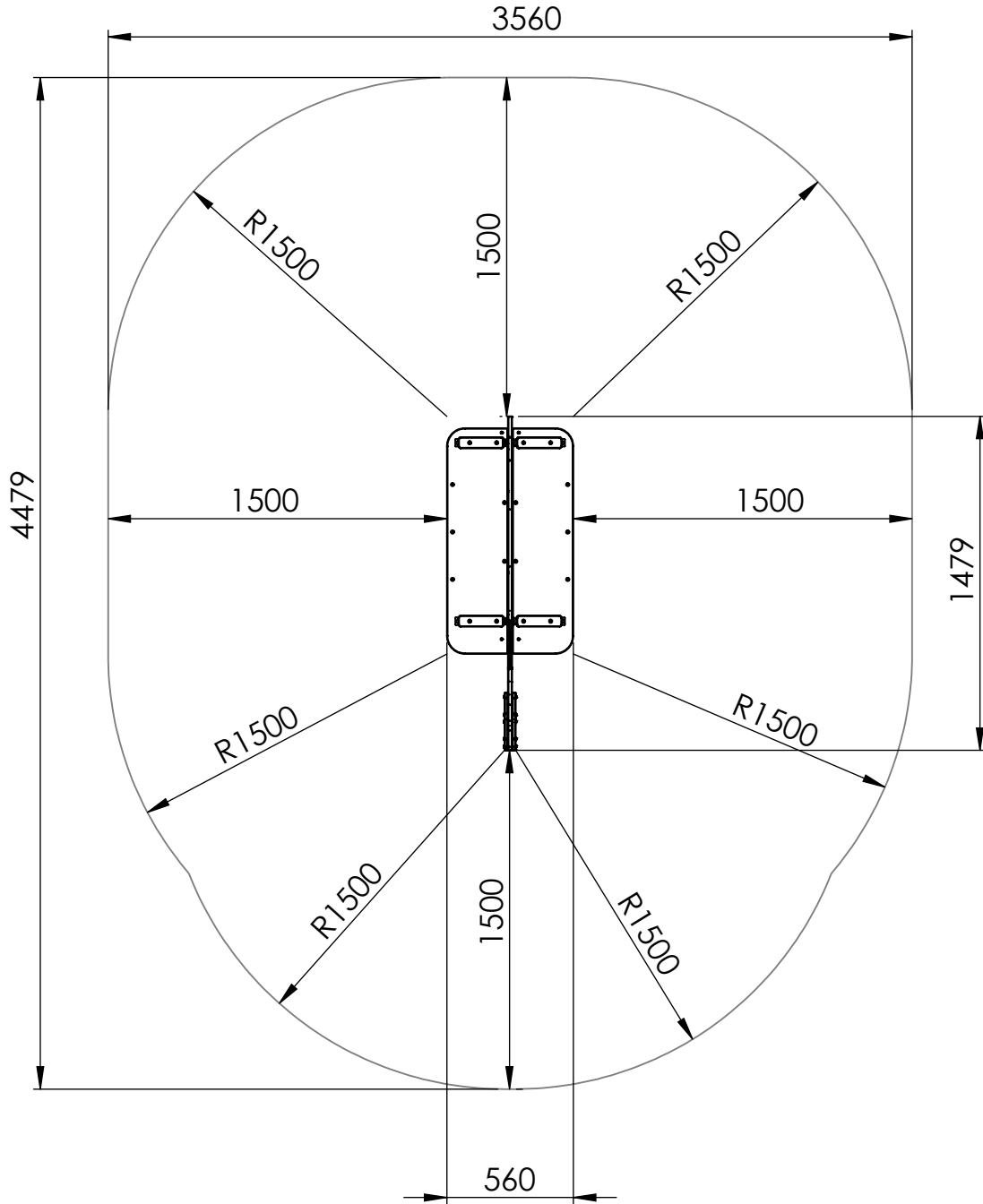
A

B

C

D

E



UNLESS OTHERWISE SPECIFIED:
 DIMENSIONS ARE IN MILLIMETERS
 WEIGHT ARE IN KILOGRAMM

Product code:

IPK204

NAME

SIGNATURE

DATE

DRAWN

I.Agar

01.04.2024

DESCRIPTION:

Two-sided seat Donkey



Tiptiptap^{ou}

A4

WEIGHT:

SCALE: 1:30

SHEET 2 OF 6

F

Foundation

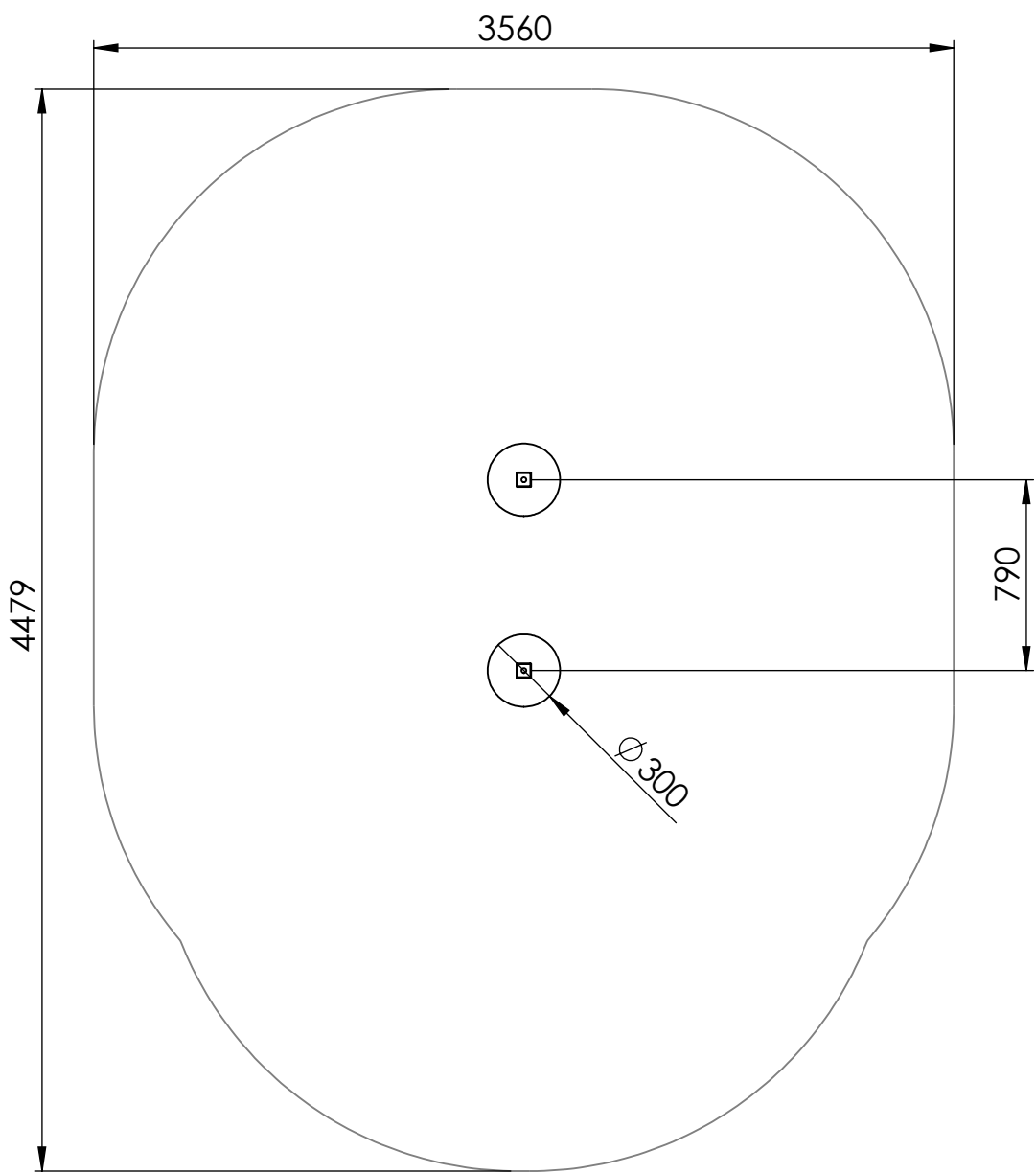
A

B

C

D

E



UNLESS OTHERWISE SPECIFIED:
 DIMENSIONS ARE IN MILLIMETERS
 WEIGHT ARE IN KILOGRAMM

Product code: **IPK204**

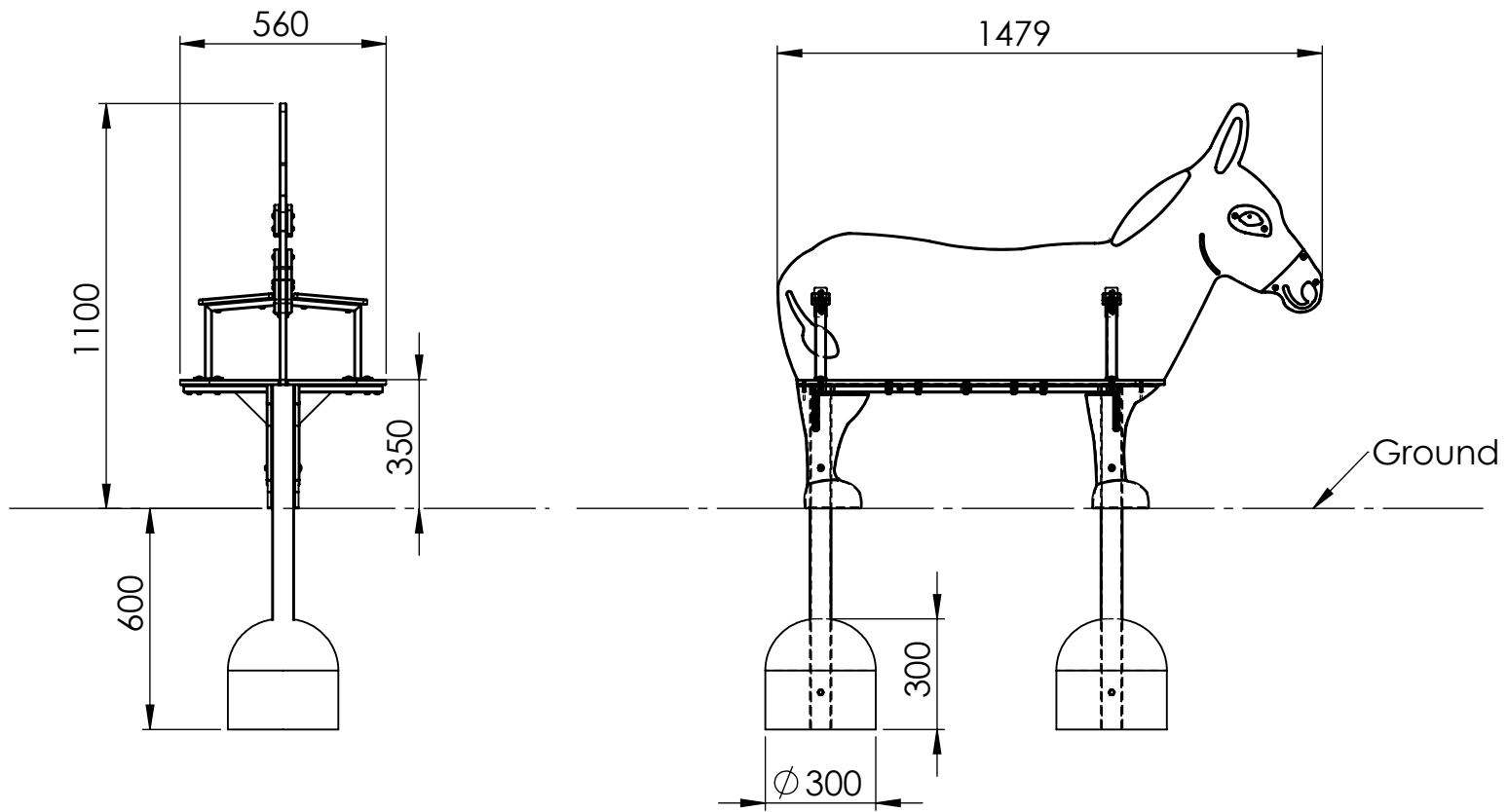
	NAME	SIGNATURE	DATE
DRAWN	I.Agar		01.04.2024

DESCRIPTION: **Two-sided seat Donkey**



	A4
WEIGHT:	SCALE: 1:30 SHEET 3 OF 6

F



UNLESS OTHERWISE SPECIFIED:
 DIMENSIONS ARE IN MILLIMETERS
 WEIGHT ARE IN KILOGRAMM

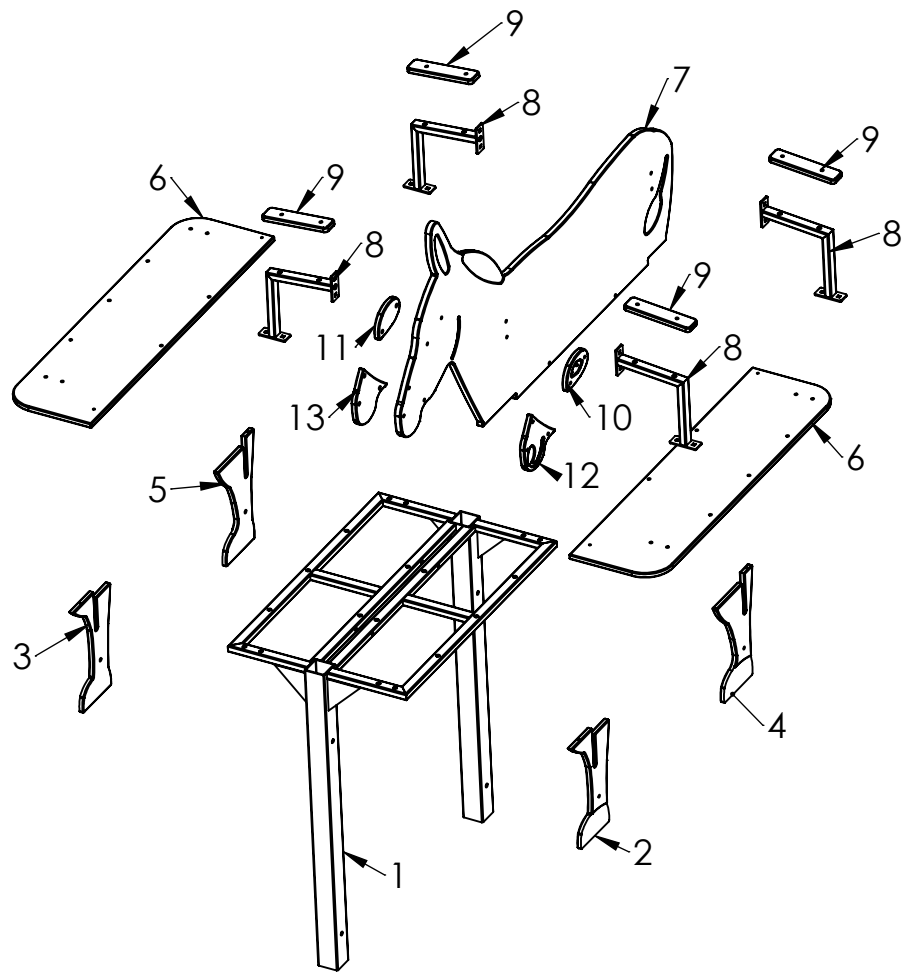
Product code: **IPK204**

	NAME	SIGNATURE	DATE
DRAWN	I.Agar		01.04.2024

DESCRIPTION: **Two-sided seat Donkey**



	A4
WEIGHT:	SCALE: 1:20
	SHEET 4 OF 6



UNLESS OTHERWISE SPECIFIED:
 DIMENSIONS ARE IN MILLIMETERS
 WEIGHT ARE IN KILOGRAMM


Product code: **IPK204**

	NAME	SIGNATURE	DATE
DRAWN	I.Agar		01.04.2024

DESCRIPTION: **Two-sided seat Donkey**



	A4
WEIGHT:	SCALE: 1:20
	SHEET 5 OF 6

1	2	3	4	5	6	
ITEM NO.	DescriptionENG	Part No.		QTY.		
1	IPK204 Eesel frame	36298		1		
2	IPK204 leg 1 plastic gray	31045738		1		
3	IPK204 leg 2 plastic gray	31045812		1		
4	IPK204 leg 3 plastic gray	31045813		1		
5	IPK204 leg 4 plastic gray	31045814		1		
6	IPK204 seat plastic gray	31045737		2		
7	IPK204 middle panel plastic gray	31034141		1		
8	IPK204 Donkey armrest	036286		4		
9	IPK204 armrest plate plastic gray	31045815		4		
10	IPK204 eye 1 white-black-white	3108846		1		
11	IPK204 eye 2 white-black-white	3108847		1		
12	IPK204 nose plate 1 white-black-white	3108848		1		
13	IPK204 nose plate 2 white-black-white	3108849		1		
D		UNLESS OTHERWISE SPECIFIED: DIMENSIONS ARE IN MILLIMETERS WEIGHT ARE IN KILOGRAMM		Product code: IPK204		
			NAME	SIGNATURE	DATE	DESCRIPTION: Two-sided seat Donkey
		DRAWN	I.Agar		01.04.2024	
		 Tiptiptap ^{OU}				A4
		WEIGHT:		SCALE: 1:20	SHEET 6 OF 6	