

A

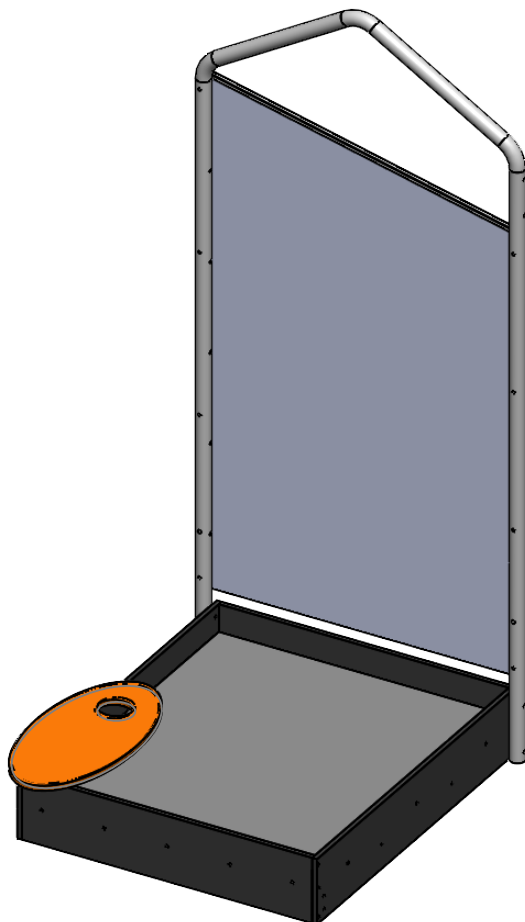
B

C

D

E

F



UNLESS OTHERWISE SPECIFIED:
 DIMENSIONS ARE IN MILLIMETERS
 WEIGHT ARE IN KILOGRAMM

PART NUMBER / DWG NO.:

FARM 7

	NAME	SIGNATURE	DATE	REVISION
DRAWN	E.Reispere		20.10.2023	
APPV'D				

DESCRIPTION:

Sand play HORSE STABLE



Tiptiptap⁰⁰

MATERIAL:

wood, metal, plastic

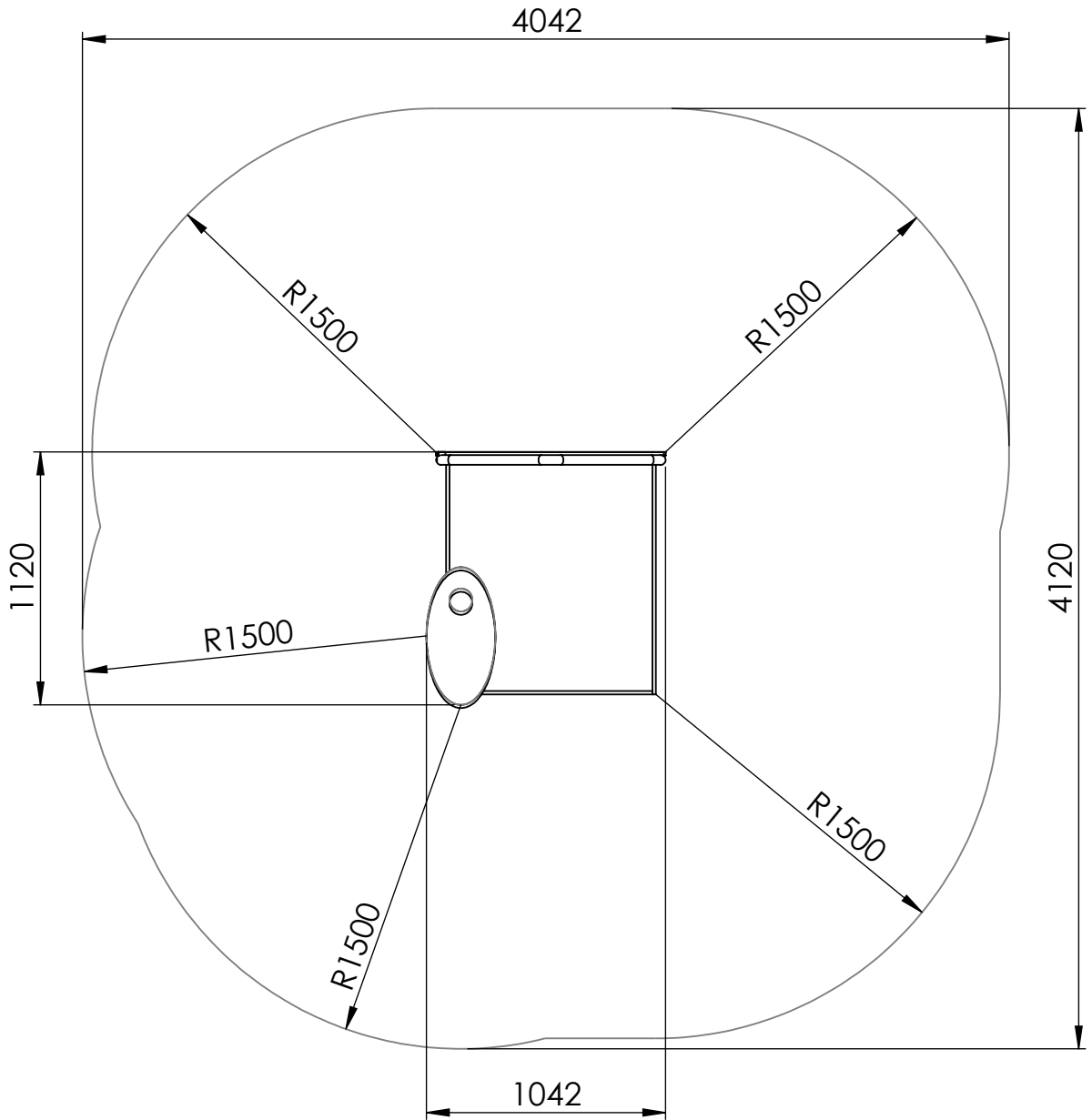
A4

WEIGHT:

SCALE: 1:50

SHEET 1 OF 5

safety area



safety area: 14,20 m²

UNLESS OTHERWISE SPECIFIED:
DIMENSIONS ARE IN MILLIMETERS
WEIGHT ARE IN KILOGRAMM

PART NUMBER / DWG NO.:

FARM 7

	NAME	SIGNATURE	DATE	REVISION
DRAWN	E.Reispere		20.10.2023	
APPV'D				

DESCRIPTION:

Sand play HORSE STABLE



Tiptiptap⁰⁰

MATERIAL:

wood, metal, plastic

A4

WEIGHT:

SCALE: 1:50

SHEET 2 OF 5

foundation

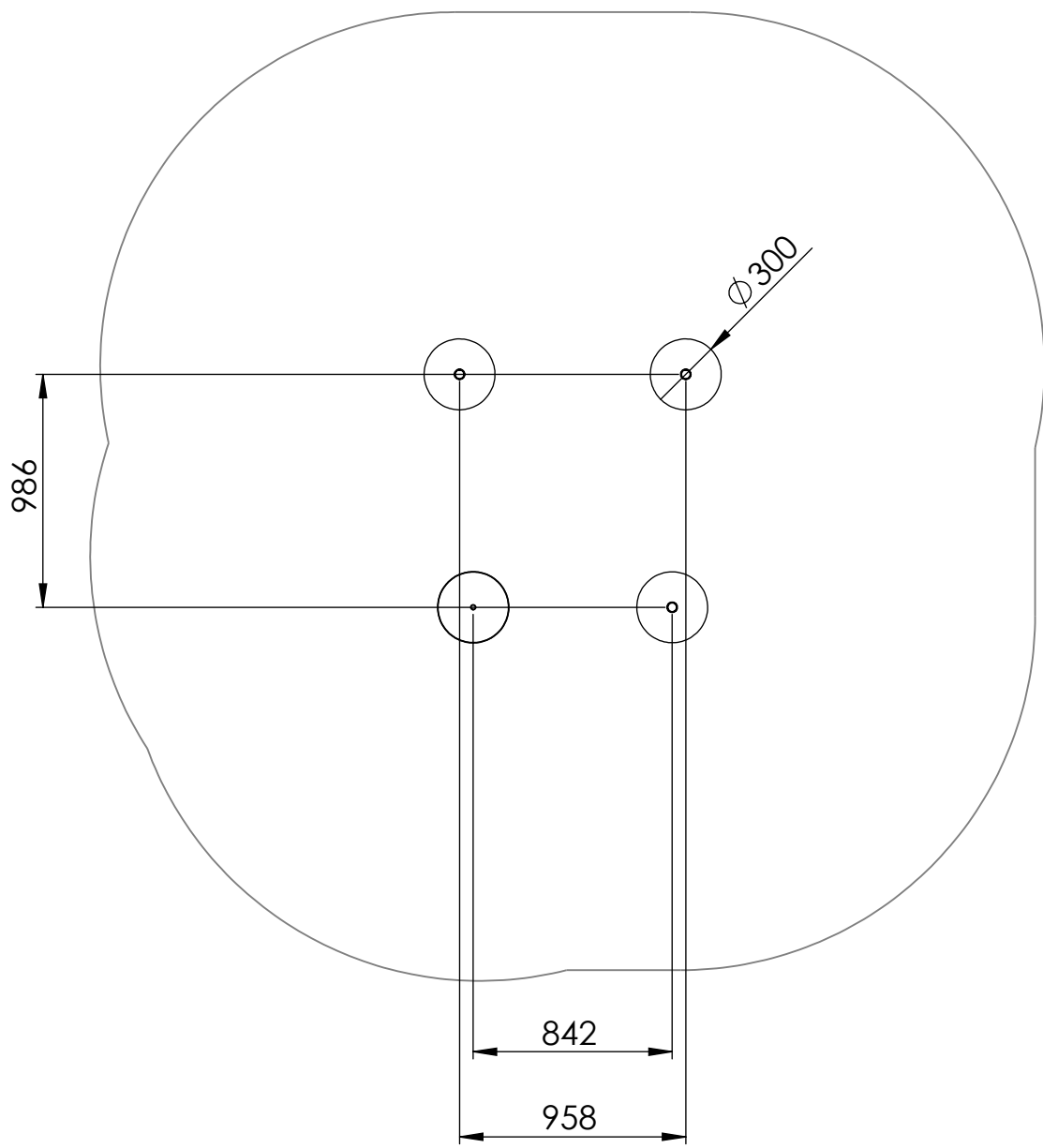
A

B

C

D

E



UNLESS OTHERWISE SPECIFIED:
 DIMENSIONS ARE IN MILLIMETERS
 WEIGHT ARE IN KILOGRAMM

PART NUMBER / DWG NO.: **FARM 7**

	NAME	SIGNATURE	DATE	REVISION
DRAWN	E.Reispere		20.10.2023	
APPV'D				

DESCRIPTION:
Sand play HORSE STABLE



MATERIAL:	wood, metal, plastic	A4
WEIGHT:	SCALE: 1:50	SHEET 3 OF 5

A

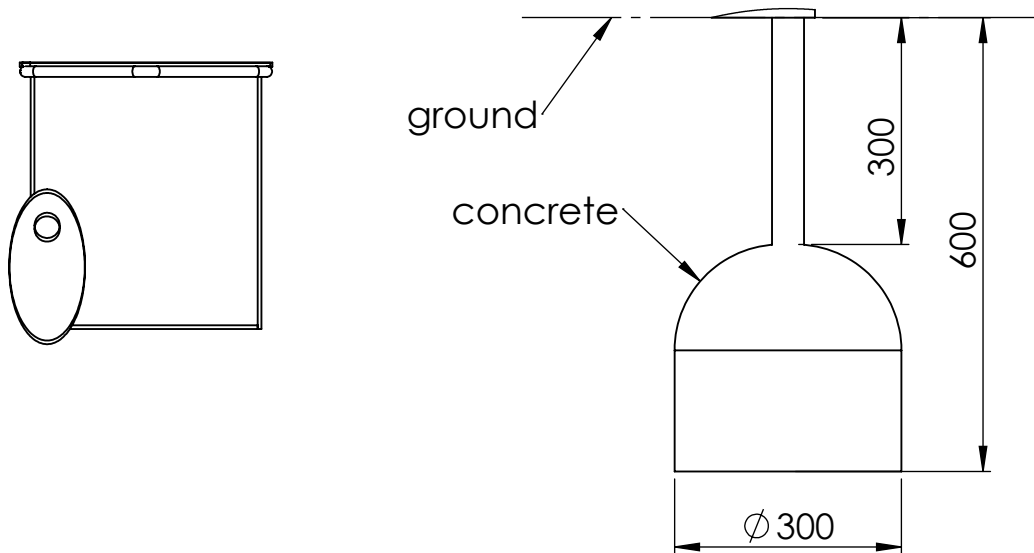
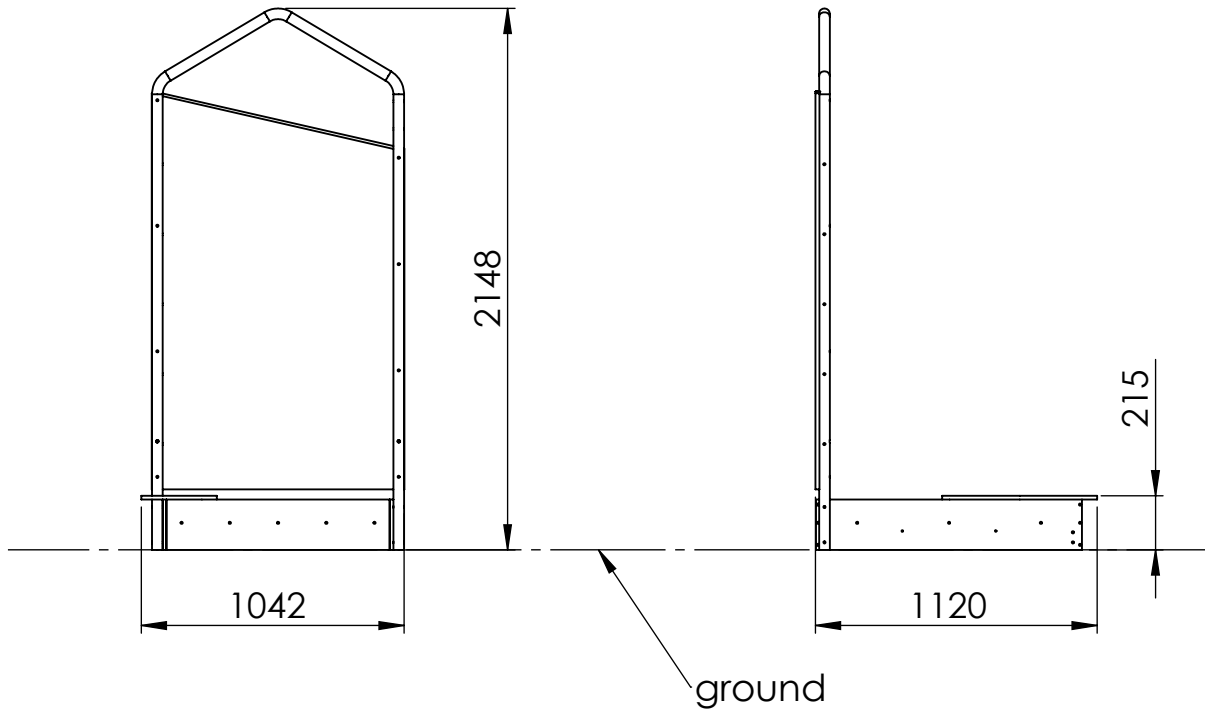
B

C

D

E

F



UNLESS OTHERWISE SPECIFIED:
 DIMENSIONS ARE IN MILLIMETERS
 WEIGHT ARE IN KILOGRAMM

PART NUMBER / DWG NO.:

FARM 7

	NAME	SIGNATURE	DATE	REVISION
DRAWN	E.Reispere		20.10.2023	
APPV'D				

DESCRIPTION:

Sand play HORSE STABLE

MATERIAL:

wood, metal, plastic

A4

WEIGHT:

SCALE: 1:30

SHEET 4 OF 5



Tiptiptap ÖÜ

A

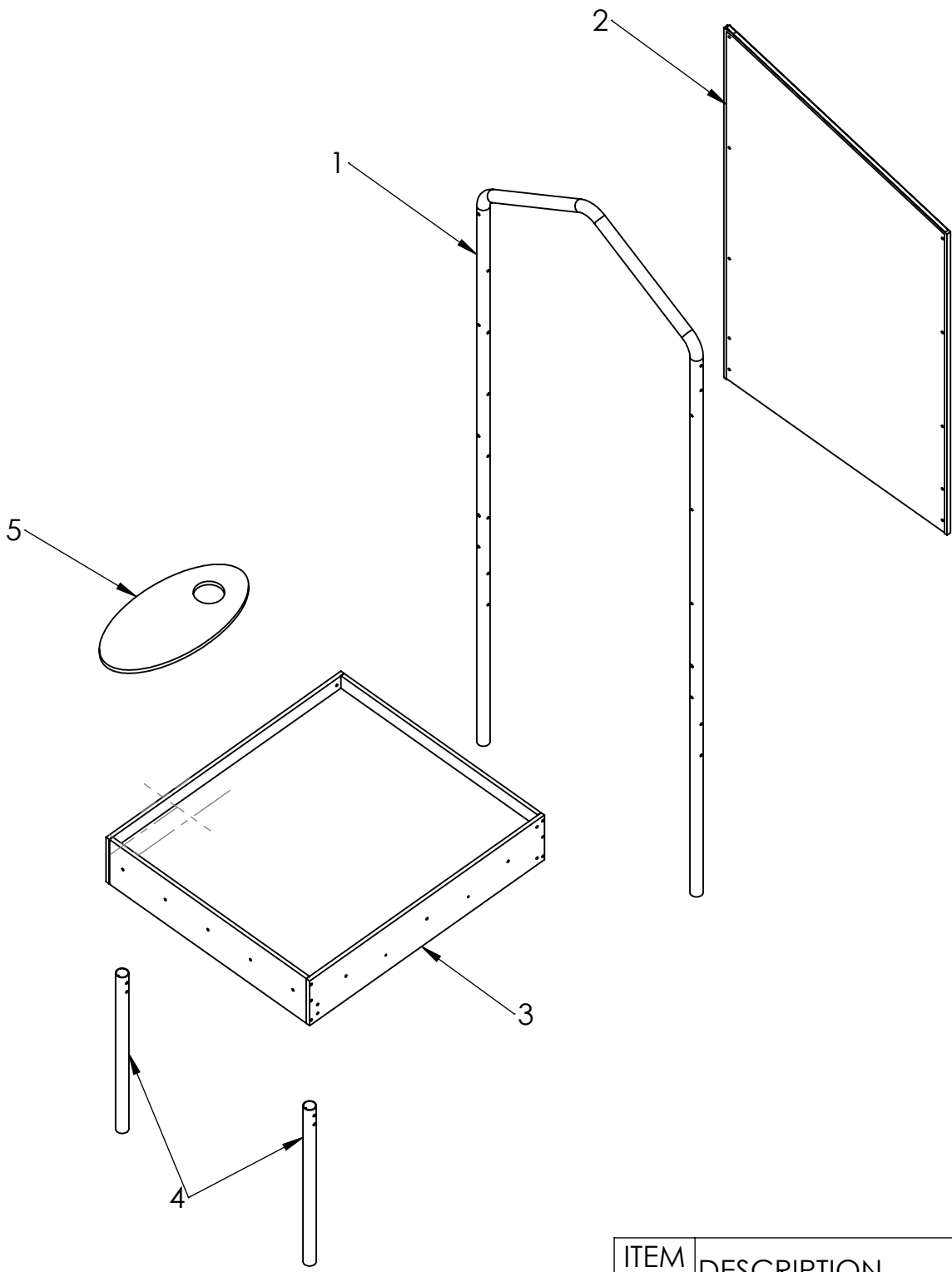
B

C

D

E

F



ITEM NO.	DESCRIPTION
1	Farm frame horse
2	Farm panel horse
3	Farm sandbox
4	Farm sandbox groundfixing
5	Farm sandbox corner

UNLESS OTHERWISE SPECIFIED: DIMENSIONS ARE IN MILLIMETERS WEIGHT ARE IN KILOGRAMM				
	NAME	SIGNATURE	DATE	REVISION
DRAWN	E.Reispere		20.10.2023	
APPV'D				

PART NUMBER / DWG NO.: **FARM 7**

DESCRIPTION:
Sand play HORSE STABLE



MATERIAL:	wood, metal, plastic	A4
WEIGHT:		SCALE: 1:30
		SHEET 5 OF 5