

A

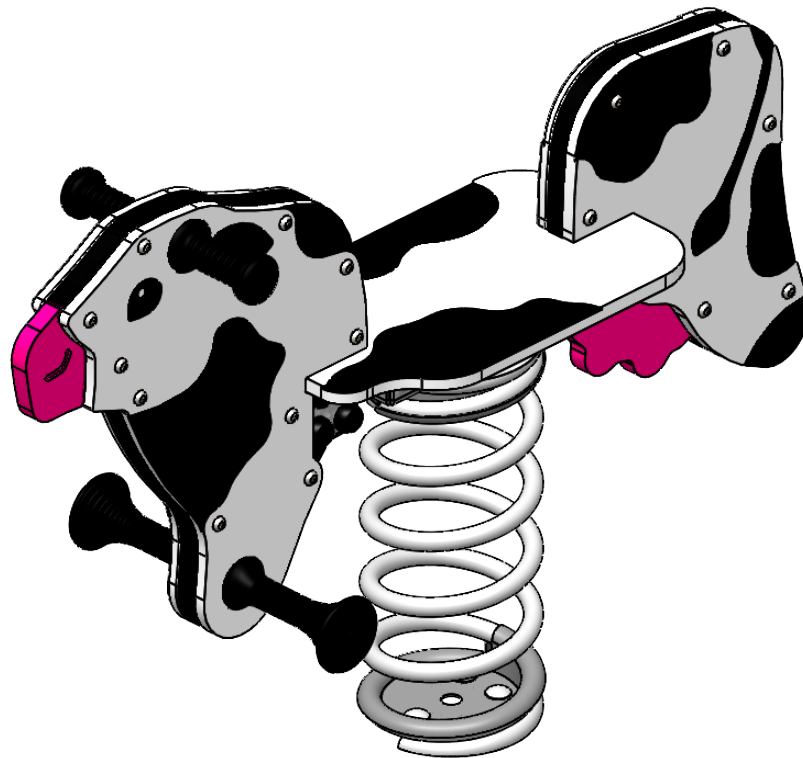
B

C

D

E

F



UNLESS OTHERWISE SPECIFIED:
 DIMENSIONS ARE IN MILLIMETERS
 WEIGHT ARE IN KILOGRAMM

PART NUMBER / DWG NO.:

VL61

	NAME	SIGNATURE	DATE	REVISION
DRAWN	E.Reispere		24.05.2024	
APPV'D				

DESCRIPTION:

Spring swing COW

MATERIAL:

metal, plastic

A4

WEIGHT:

SCALE: 1:20

SHEET 1 OF 10



Tiptiptap⁰⁰

safety area

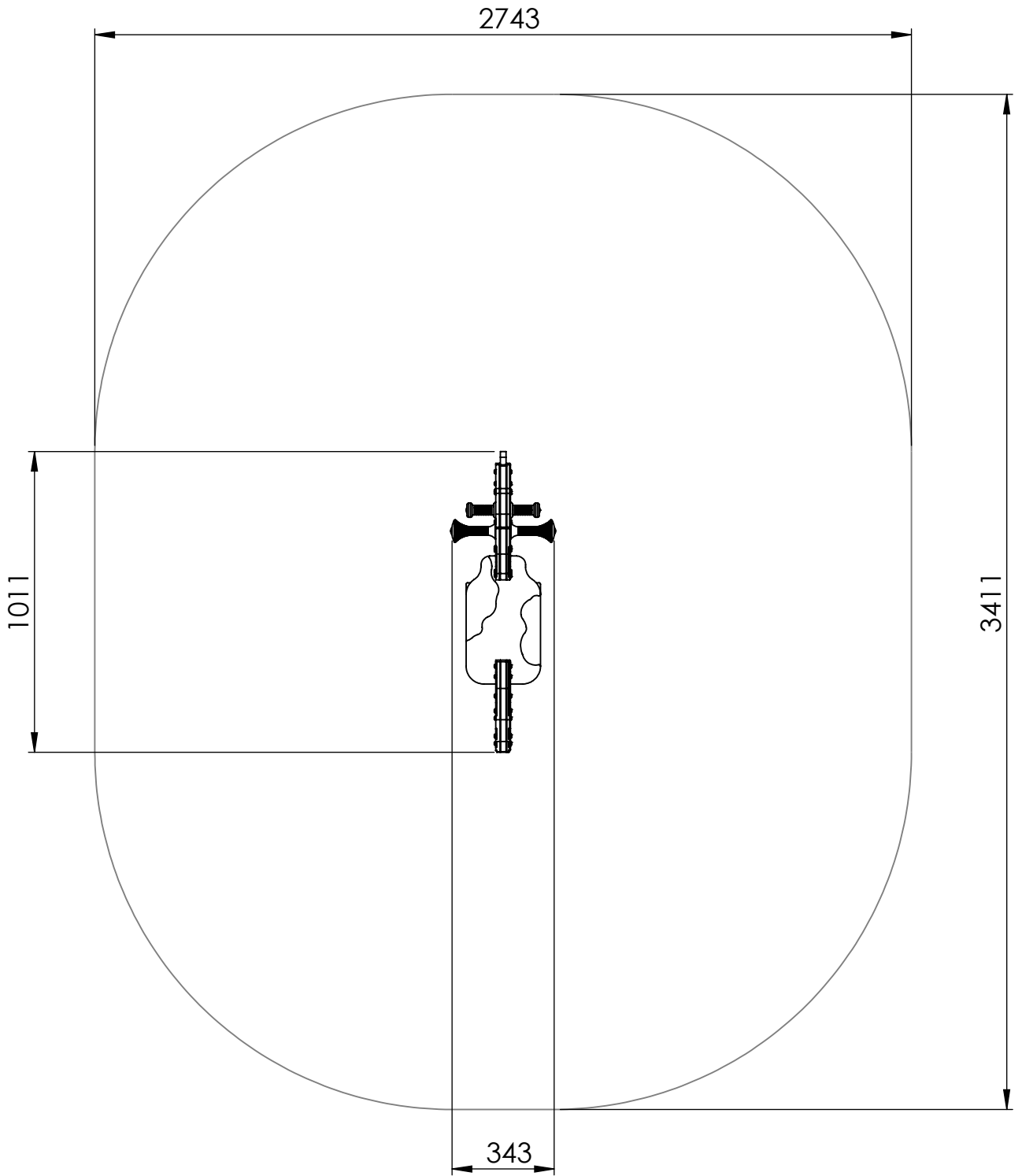
A

B

C


D

E



safety area: 8,12 m²

F

				TOOTE KOOD / DWG NO.: VL61	
	NIMI	ALLKIRI	KUUPÄEV	KIRJELDUS: Spring swing COW	
Joonistas	E.Reispere		24.05.2024		
 Tiptiptap OÜ				MATERJAL: metal, plastic	A4
				WEIGHT:	SKAALA: 1:20 LEHT 2 OF 10

foundation

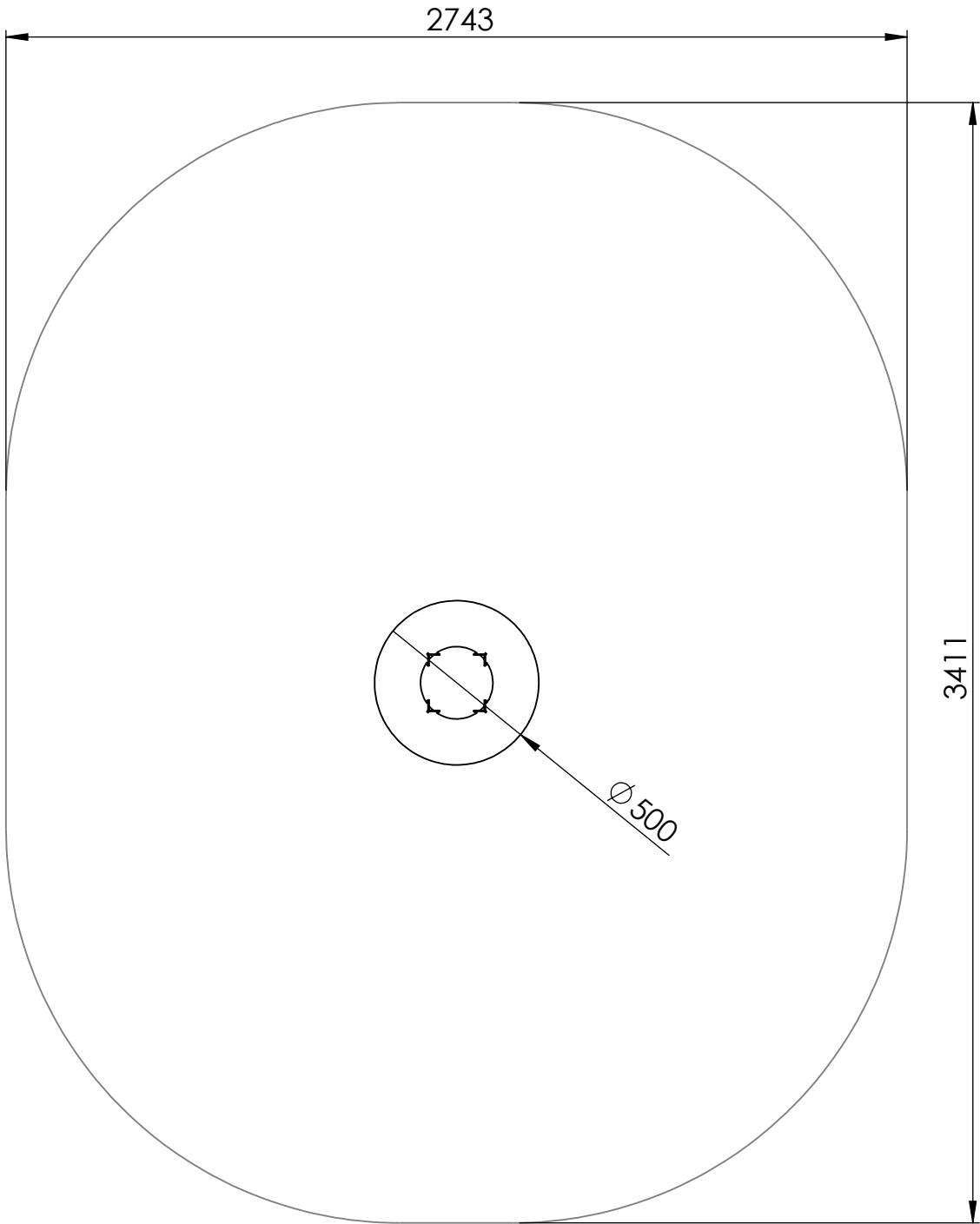
A

B


C

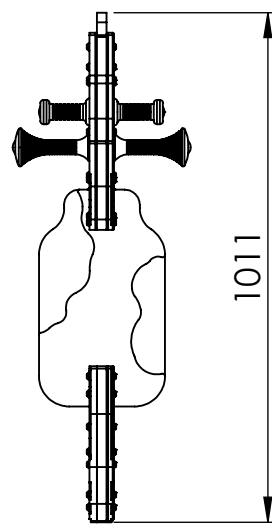
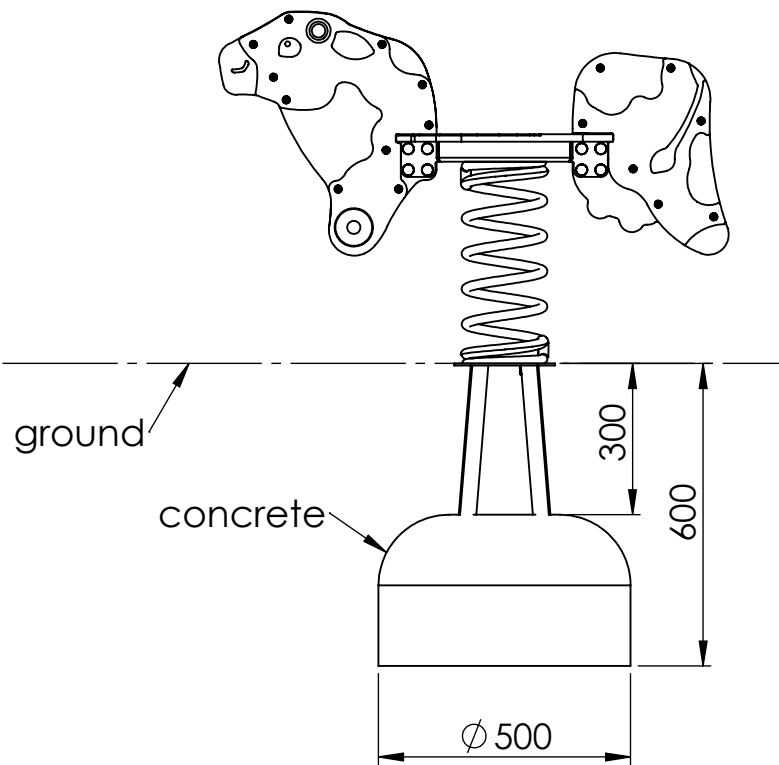
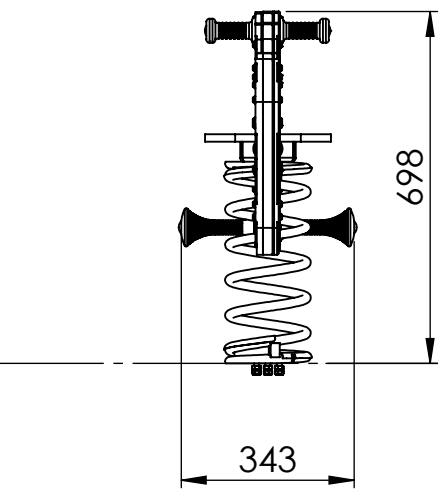
D


E

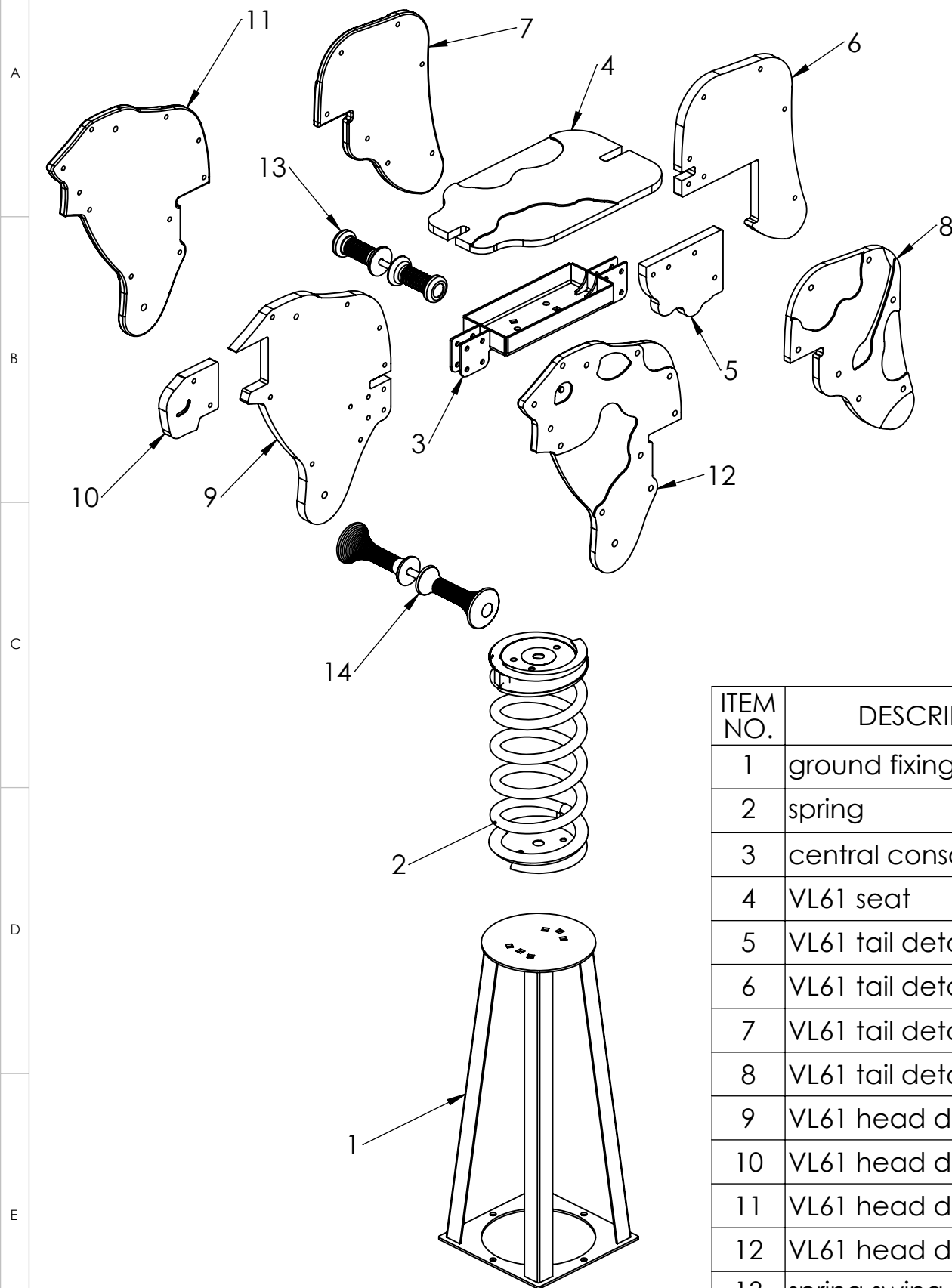


F

				TOOTE KOOD / DWG NO.: VL61	
	NIMI	ALLKIRI	KUUPÄEV	KIRJELDUS: Spring swing COW	
Joonistas	E.Reispere		24.05.2024		
 Tiptiptap OÜ				MATERJAL:	metal, plastic
				WEIGHT:	SKAALA: 1:20
					A4
					LEHT 3 OF 10



				TOOTE KOOD / DWG NO.: VL61									
<table border="1"> <tr> <td>NIMI</td> <td>ALLKIRI</td> <td>KUUPÄEV</td> <td></td> </tr> <tr> <td>Joonistas E.Reispere</td> <td></td> <td>24.05.2024</td> <td></td> </tr> </table>				NIMI	ALLKIRI	KUUPÄEV		Joonistas E.Reispere		24.05.2024		KIRJELDUS: Spring swing COW	
NIMI	ALLKIRI	KUUPÄEV											
Joonistas E.Reispere		24.05.2024											
 Tiptiptap OÜ				MATERJAL: metal, plastic									
				A4									
WEIGHT:				SKAALA: 1:20									
				LEHT 4 OF 10									



ITEM NO.	DESCRIPTION
1	ground fixing
2	spring
3	central console
4	VL61 seat
5	VL61 tail detail 2
6	VL61 tail detail 1
7	VL61 tail detail 3
8	VL61 tail detail 4
9	VL61 head detail 1
10	VL61 head detail 2
11	VL61 head detail 3
12	VL61 head detail 4
13	spring swing handle
14	spring swing leg holder

TOOTE KOOD / DWG NO.:

VL61

KIRJELDUS:

Spring swing COW

MATERJAL:

metal, plastic

A4

WEIGHT:

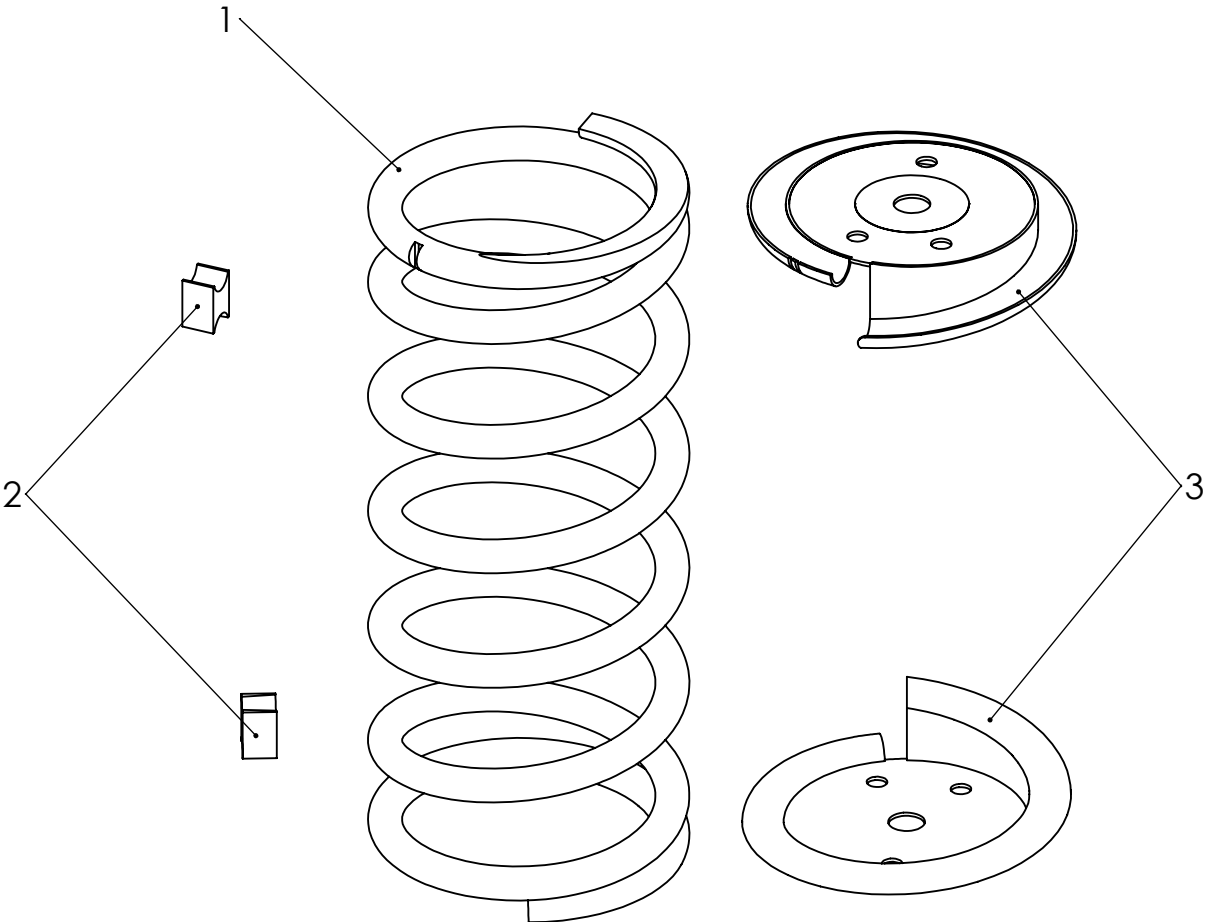
SKAALA: 1:20

LEHT 5 OF 10

	NIMI	ALLKIRI	KUUPÄEV
Joonistas	E.Reispere		24.05.2024



Tiptiptap OÜ



ITEM NO.	PART NUMBER	DESCRIPTION	QTY.
1	spring	spring	1
2	distance block	HP plastic	2
3	spring plate	painted steel	2

UNLESS OTHERWISE SPECIFIED:
 DIMENSIONS ARE IN MILLIMETERS
 WEIGHT ARE IN KILOGRAMM

PART NUMBER / DWG NO.:
VL61

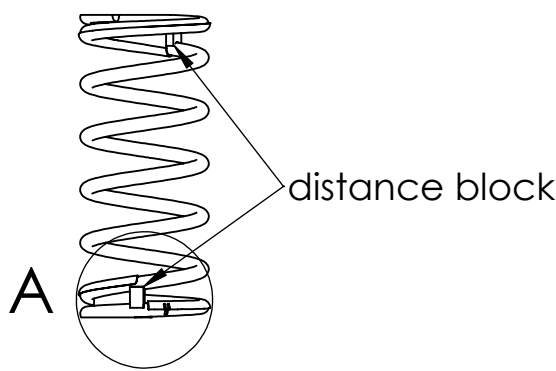
	NAME	SIGNATURE	DATE	REVISION
DRAWN	E.Reispere		24.05.2024	
APPV'D				

DESCRIPTION:
Spring swing COW

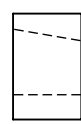
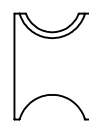
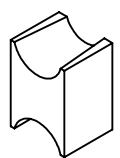


MATERIAL:	metal, plastic	A4
WEIGHT:		SCALE: 1:4
		SHEET 6 OF 10

A



view 1

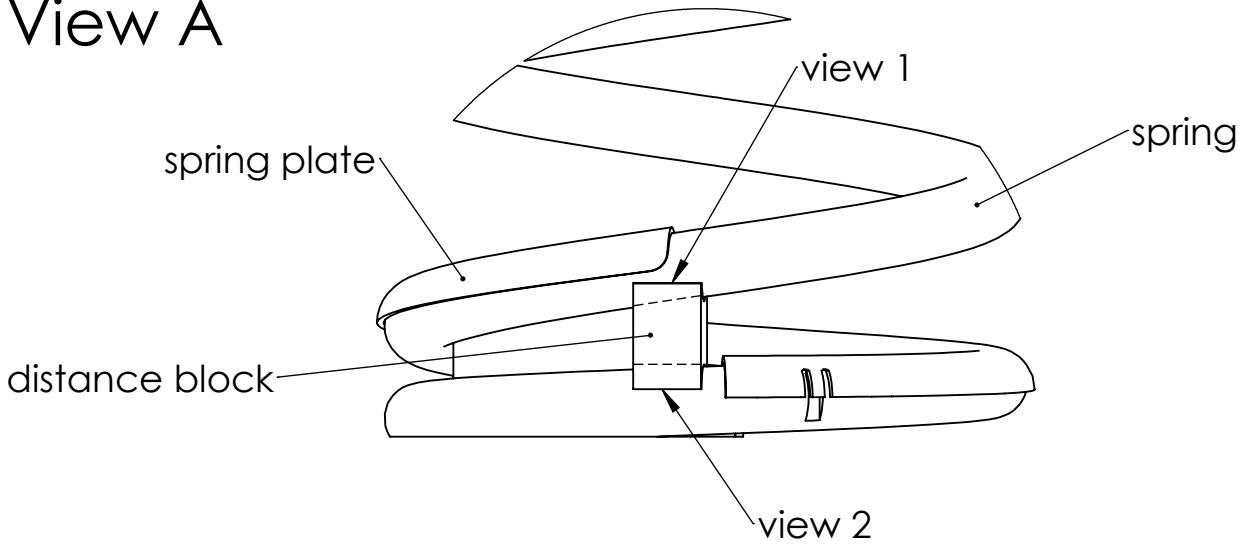


view 2

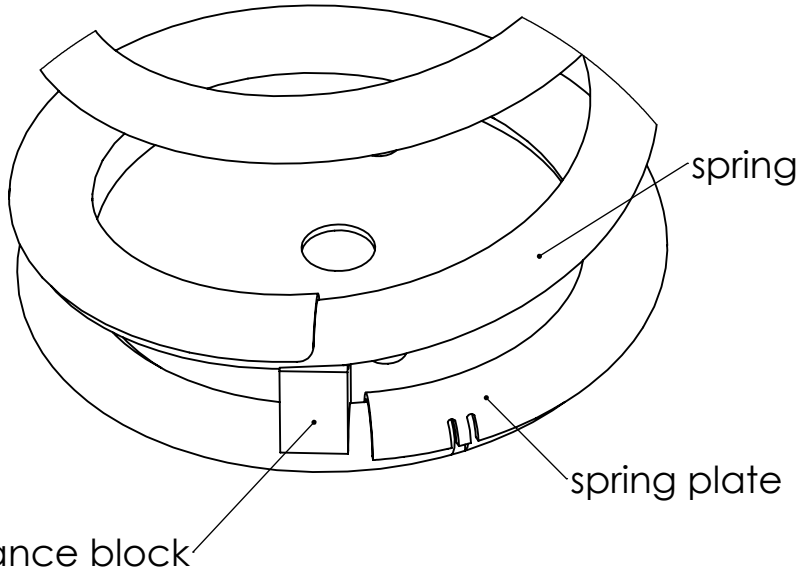
B

View A

C



D



E

UNLESS OTHERWISE SPECIFIED:
DIMENSIONS ARE IN MILLIMETERS
WEIGHT ARE IN KILOGRAMM

	NAME	SIGNATURE	DATE	REVISION
DRAWN	E.Reispere		24.05.2024	
APPV'D				

PART NUMBER / DWG NO.:	VL61
DESCRIPTION:	Spring swing COW



MATERIAL:	metal, plastic	A4
WEIGHT:		SCALE: 1:4
		SHEET 7 OF 10

A

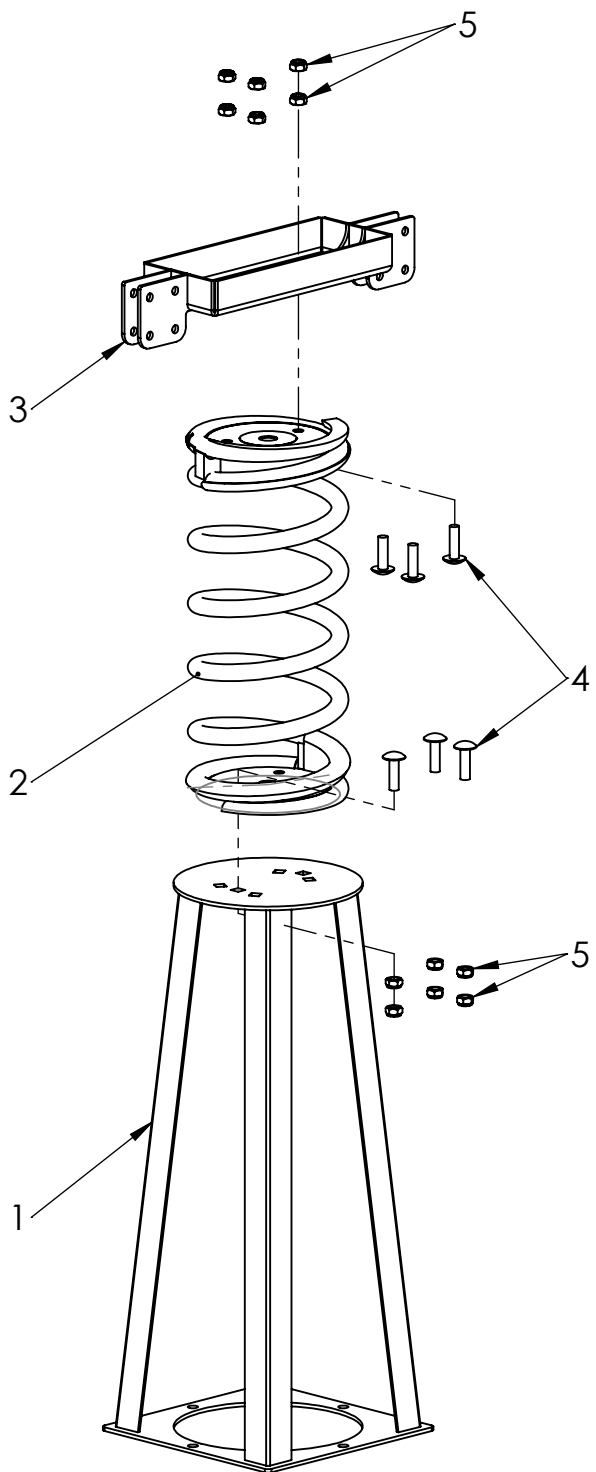
B

C

D

E

F



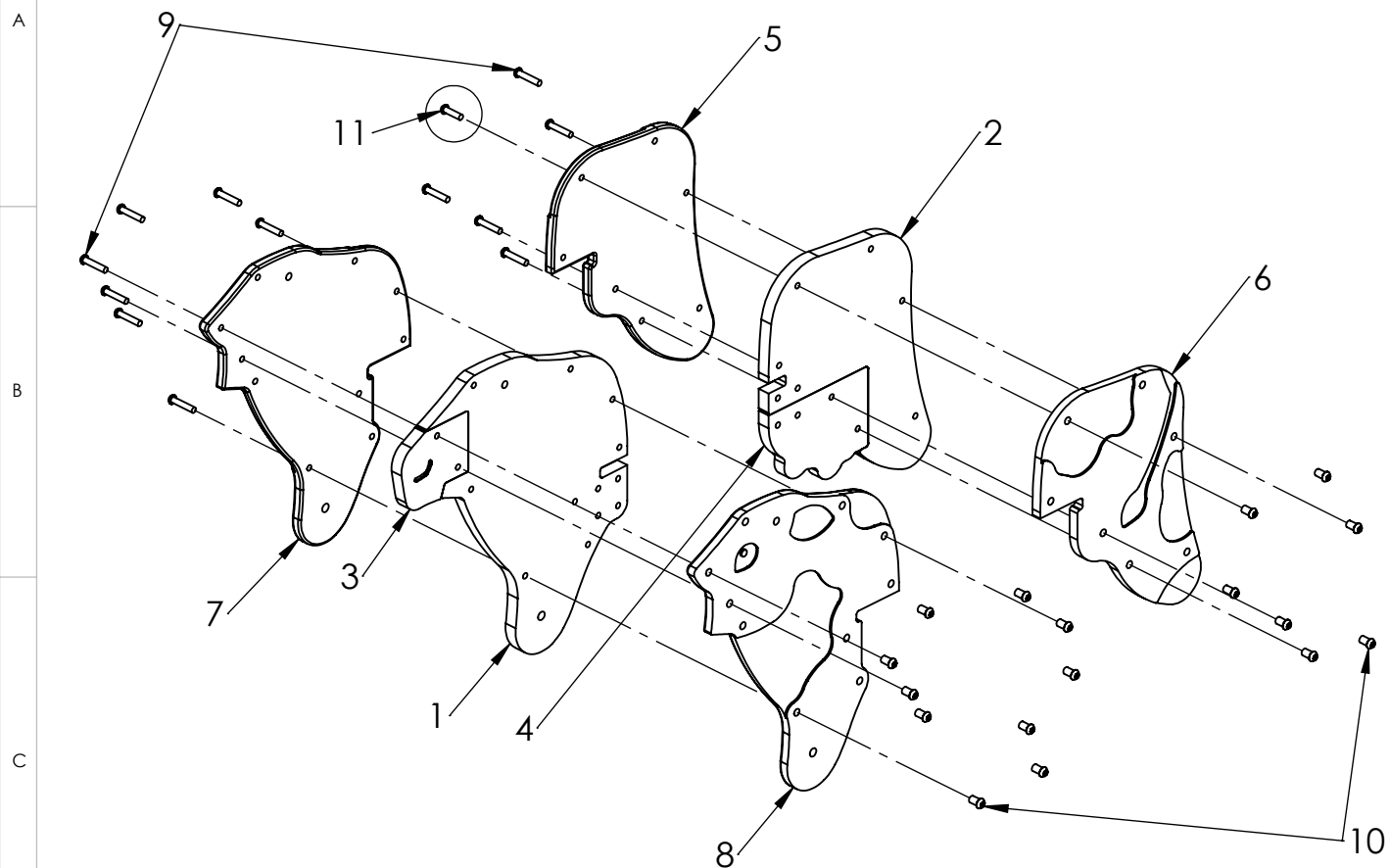
ITEM NO.	DESCRIPTION
1	ground fixing
2	spring
3	central console
4	bolt M10x35 DIN603
5	nut M10 DIN985

UNLESS OTHERWISE SPECIFIED: DIMENSIONS ARE IN MILLIMETERS WEIGHT ARE IN KILOGRAMM				
	NAME	SIGNATURE	DATE	REVISION
DRAWN	E.Reispere		24.05.2024	
APPV'D				

PART NUMBER / DWG NO.:	VL61		
DESCRIPTION:	Spring swing COW		



MATERIAL:	metal, plastic	A4
WEIGHT:	SCALE: 1:4	SHEET 8 OF 10



ITEM NO.	PART NUMBER
1	VL61 head detail 1
2	VL61 tail detail 1
3	VL61 head detail 2
4	VL61 tail detail 2
5	VL61 tail detail 3
6	VL61 tail detail 4
7	VL61 head detail 3
8	VL61 head detail 4
9	M8x40 Art. 9121 TX-PIN
10	M8x16 barrel nut
11	M8x30 Art. 9121 TX-PIN

TOOTE KOOD / DWG NO.:

VL61

KIRJELDUS:

Spring swing COW

MATERJAL:

metal, plastic

A4

WEIGHT:

SKAALA: 1:20

LEHT 9 OF 10

A

B

C

D

E

F



Tiptiptap OÜ

NIMI

ALLKIRI

KUUPÄEV

Joonistas

E.Reispere

24.05.2024

A

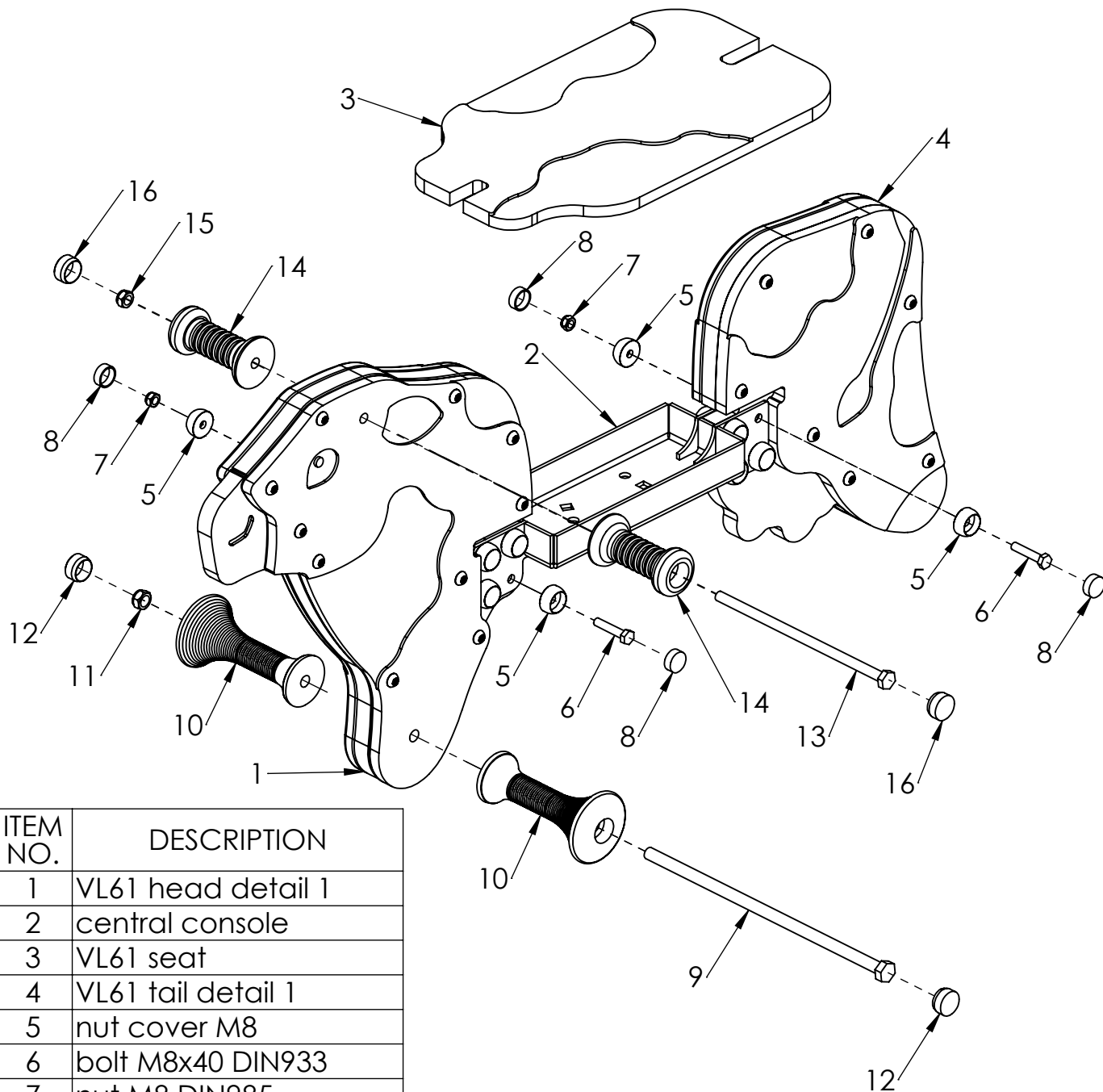
B

C

D

E

F



ITEM NO.	DESCRIPTION
1	VL61 head detail 1
2	central console
3	VL61 seat
4	VL61 tail detail 1
5	nut cover M8
6	bolt M8x40 DIN933
7	nut M8 DIN985
8	nut cover cap M8
9	bolt M12x325 DIN931
10	spring swing leg holder
11	nut DIN985 M12 DIN985
12	leg holder cap
13	bolt M10x230 DIN931
14	spring swing handle
15	nut M10 DIN985
16	handle cap

TOOTE KOOD / DWG NO.:

VL61

KIRJELDUS:

Spring swing COW

MATERJAL:

metal, plastic

A4

WEIGHT:

SKAALA: 1:20

LEHT 10 OF 10


Tiptiptap OÜ