

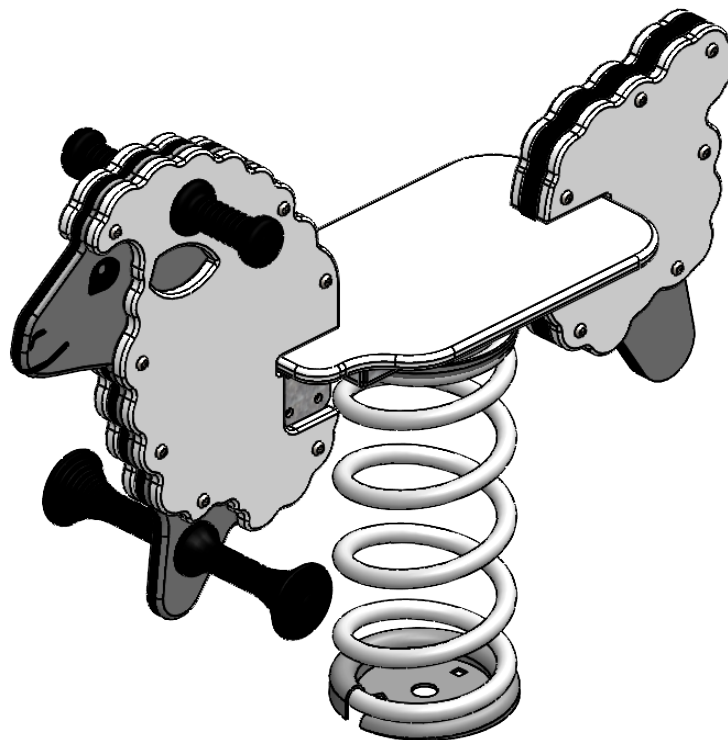
A

B

C

D

E



UNLESS OTHERWISE SPECIFIED:  
 DIMENSIONS ARE IN MILLIMETERS  
 WEIGHT ARE IN KILOGRAMM

PART NUMBER / DWG NO.:  
**VL59**

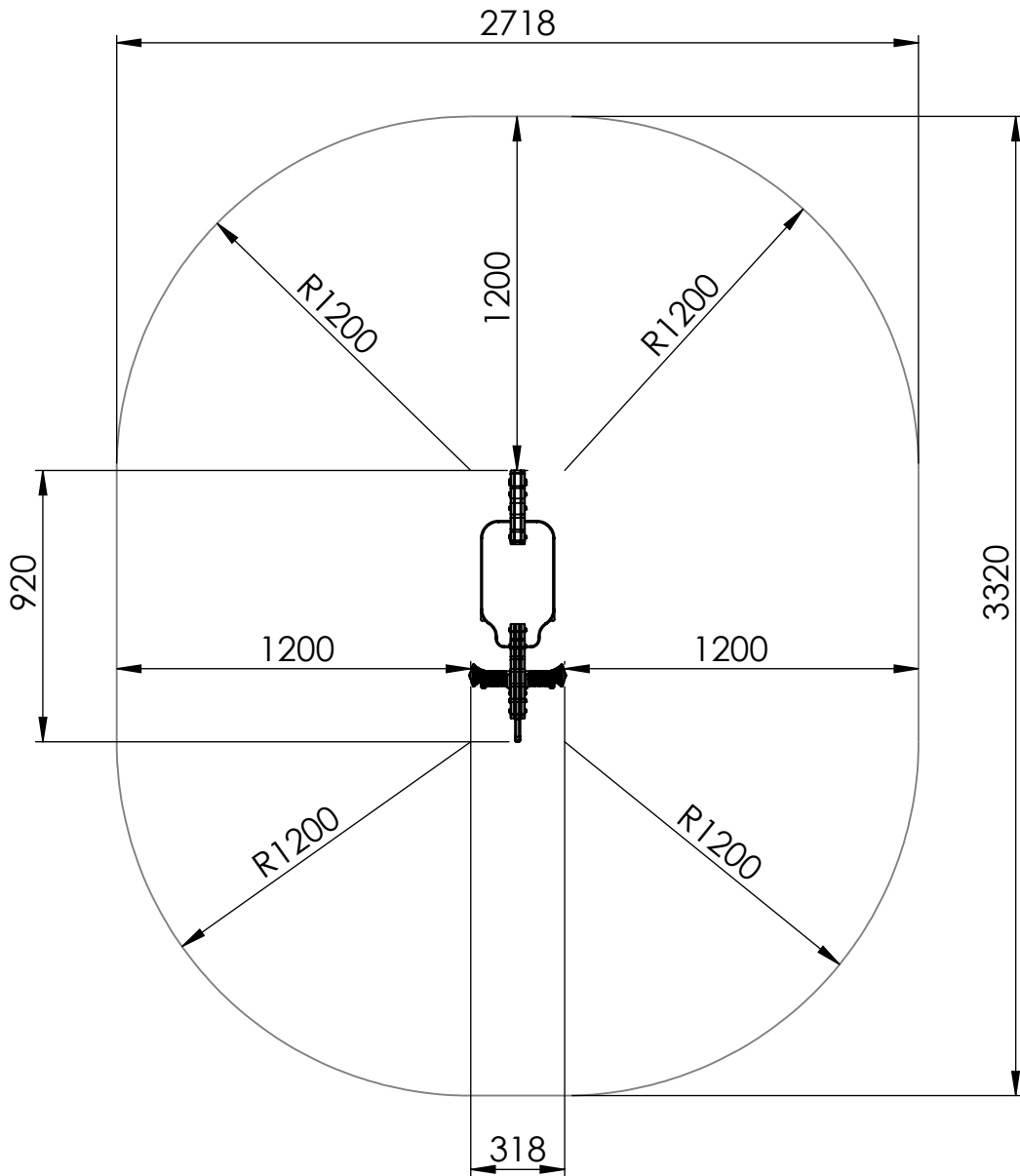
	NAME	SIGNATURE	DATE	REVISION
DRAWN	E.Reispere		16.05.2024	
APPV'D				

DESCRIPTION:  
**Spring swing SHEEP**



MATERIAL:	wood, metal, plastic	A4
WEIGHT:		SCALE: 1:20
		SHEET 1 OF 10

# safety area



safety area: 7,80 m<sup>2</sup>

UNLESS OTHERWISE SPECIFIED:  
DIMENSIONS ARE IN MILLIMETERS  
WEIGHT ARE IN KILOGRAMM

PART NUMBER / DWG NO.:

VL59

	NAME	SIGNATURE	DATE	REVISION
DRAWN	E.Reispere		16.05.2024	
APPV'D				

DESCRIPTION:

Spring swing SHEEP

MATERIAL:

wood, metal, plastic

A4

WEIGHT:

SCALE: 1:20

SHEET 2 OF 10



**Tiptiptap** OÜ

# foundation

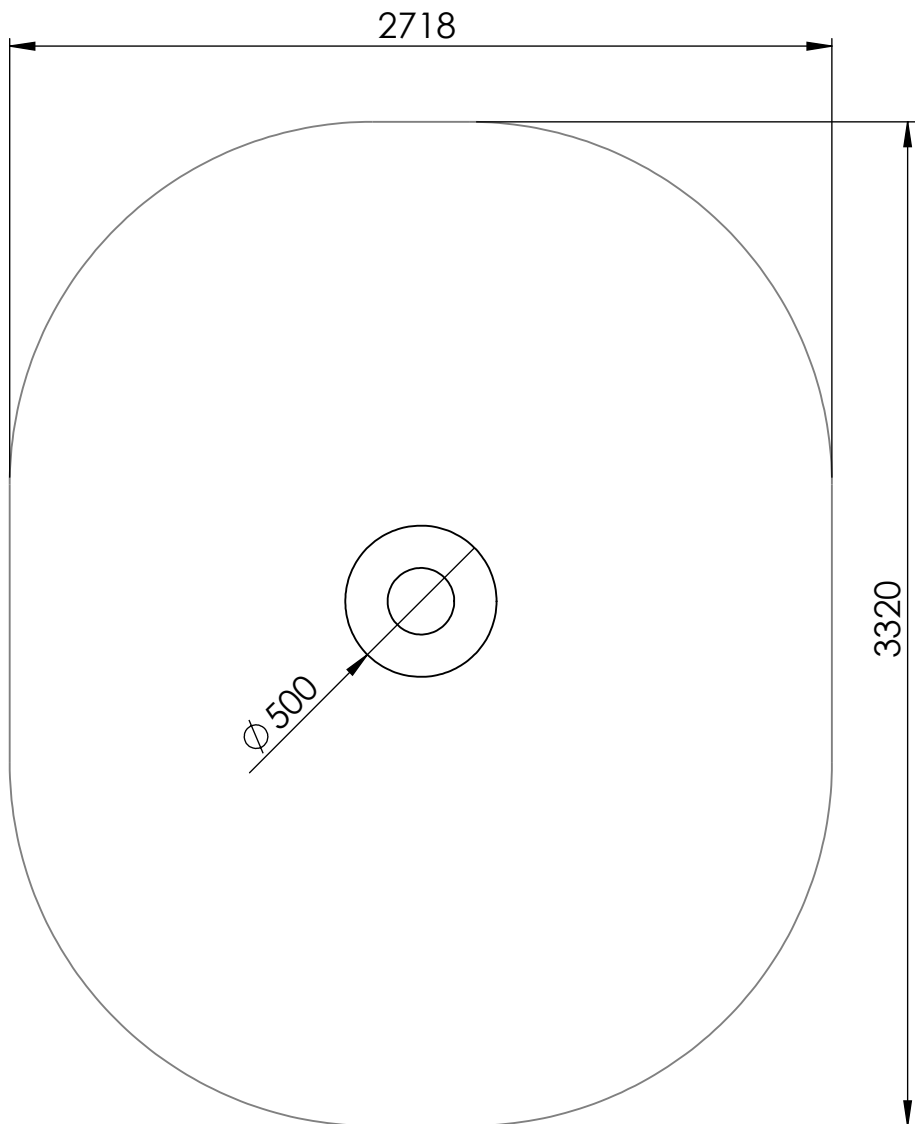
A

B

C

D

E



UNLESS OTHERWISE SPECIFIED:  
 DIMENSIONS ARE IN MILLIMETERS  
 WEIGHT ARE IN KILOGRAMM

PART NUMBER / DWG NO.:  
**VL59**

	NAME	SIGNATURE	DATE	REVISION
DRAWN	E.Reispere		16.05.2024	
APPV'D				

DESCRIPTION:  
**Spring swing SHEEP**



MATERIAL: wood, metal, plastic A4

WEIGHT: SCALE: 1:20 SHEET 3 OF 10

# dimensions

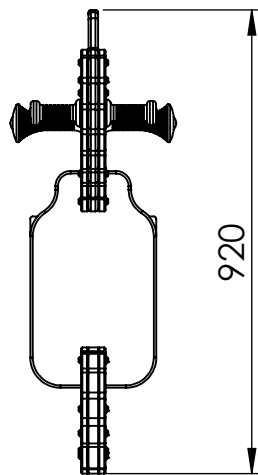
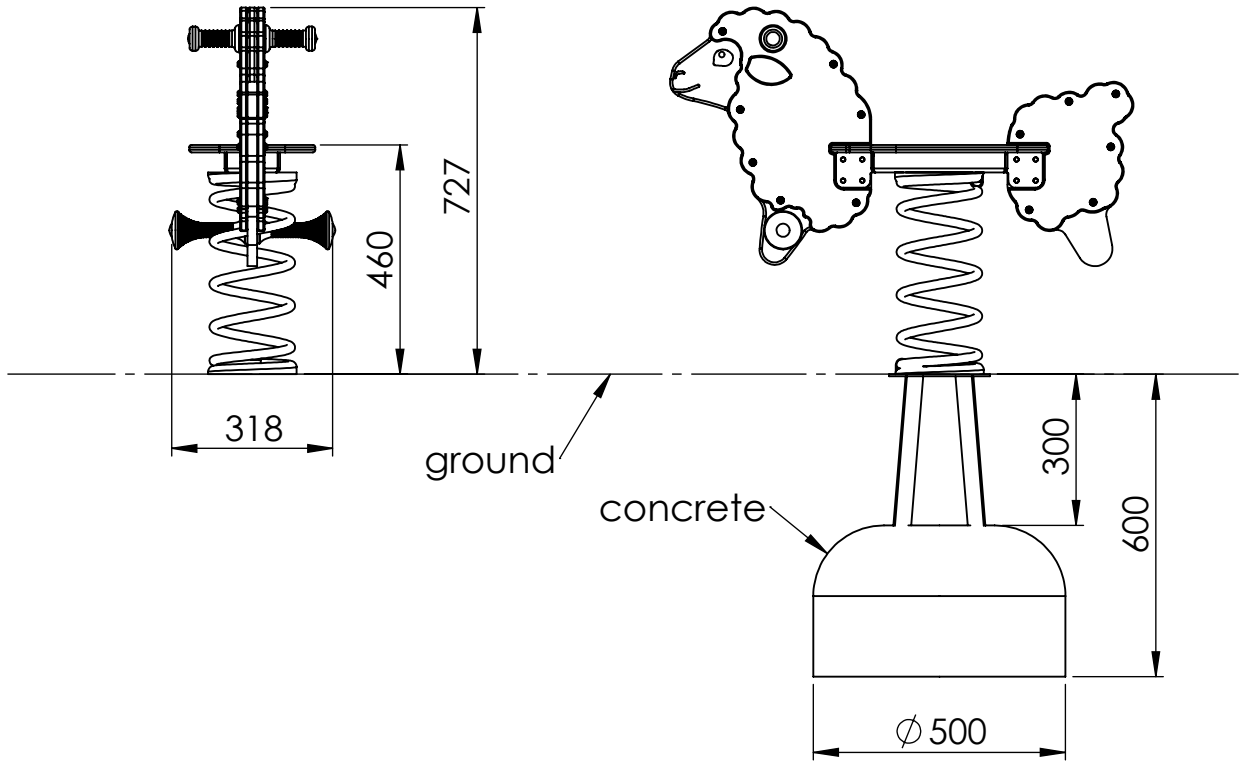
A

B

C

D

E



UNLESS OTHERWISE SPECIFIED:  
 DIMENSIONS ARE IN MILLIMETERS  
 WEIGHT ARE IN KILOGRAMM

PART NUMBER / DWG NO.:  
**VL59**

	NAME	SIGNATURE	DATE	REVISION
DRAWN	E.Reispere		16.05.2024	
APPV'D				

DESCRIPTION:  
**Spring swing SHEEP**



**Tiptiptap** OÜ

MATERIAL: wood, metal, plastic A4

WEIGHT: SCALE: 1:20 SHEET 4 OF 10

A

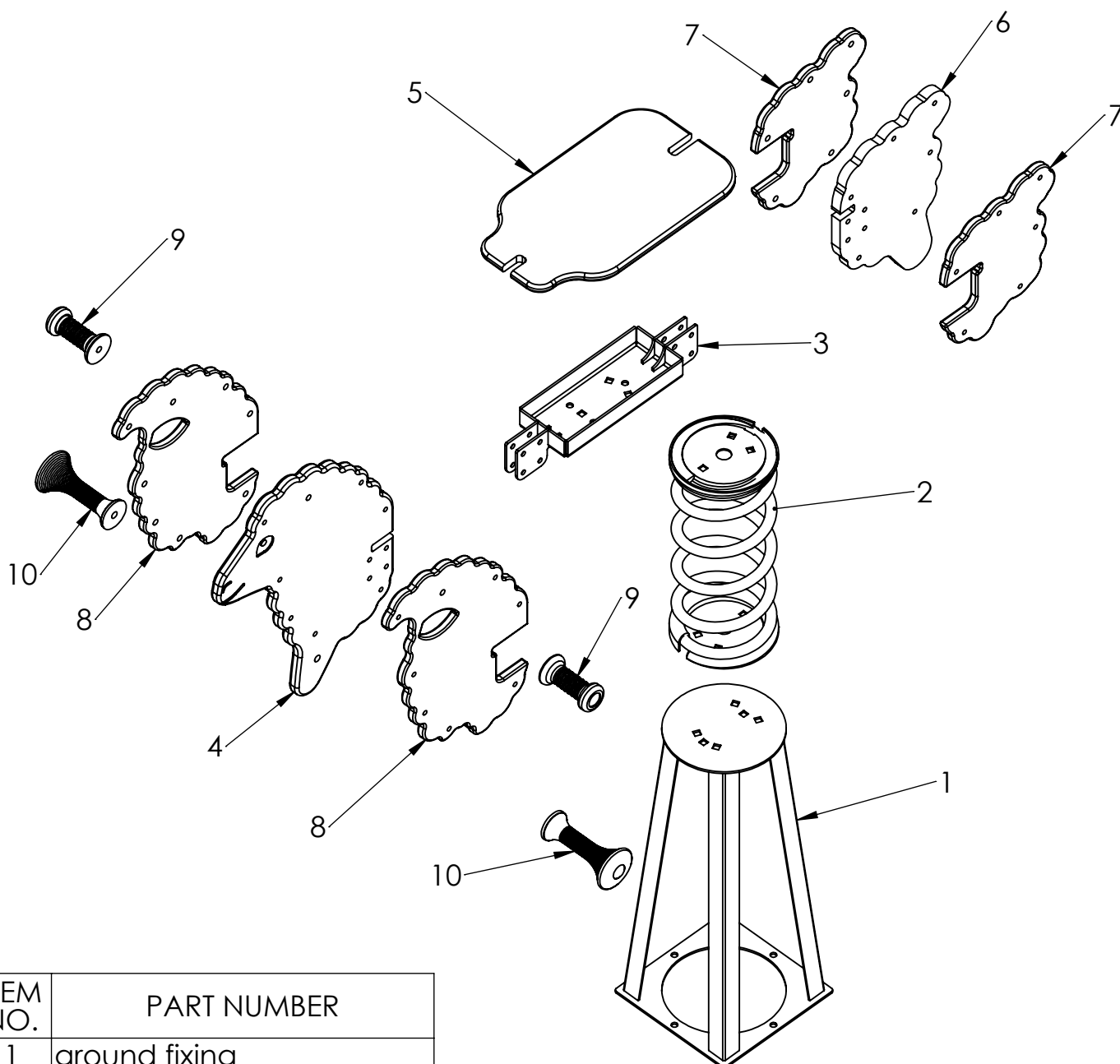
B

C

D

E

F



ITEM NO.	PART NUMBER
1	ground fixing
2	springswing spring 170mm
3	central console
4	VL59 head pastic 1
5	seat for spring swing
6	VL59 tail pastic 1
7	VL59 tail pastic 2
8	VL59 head pastic 2
9	Spring swing handle
10	Spring swing leg holder

UNLESS OTHERWISE SPECIFIED:  
DIMENSIONS ARE IN MILLIMETERS  
WEIGHT ARE IN KILOGRAMM

PART NUMBER / DWG NO.:

VL59

	NAME	SIGNATURE	DATE	REVISION
DRAWN	E.Reispere		16.05.2024	
APPV'D				

DESCRIPTION:

Spring swing SHEEP

MATERIAL:

wood, metal, plastic

A4

WEIGHT:

SCALE: 1:20

SHEET 5 OF 10



**Tiptiptap** OÜ

A

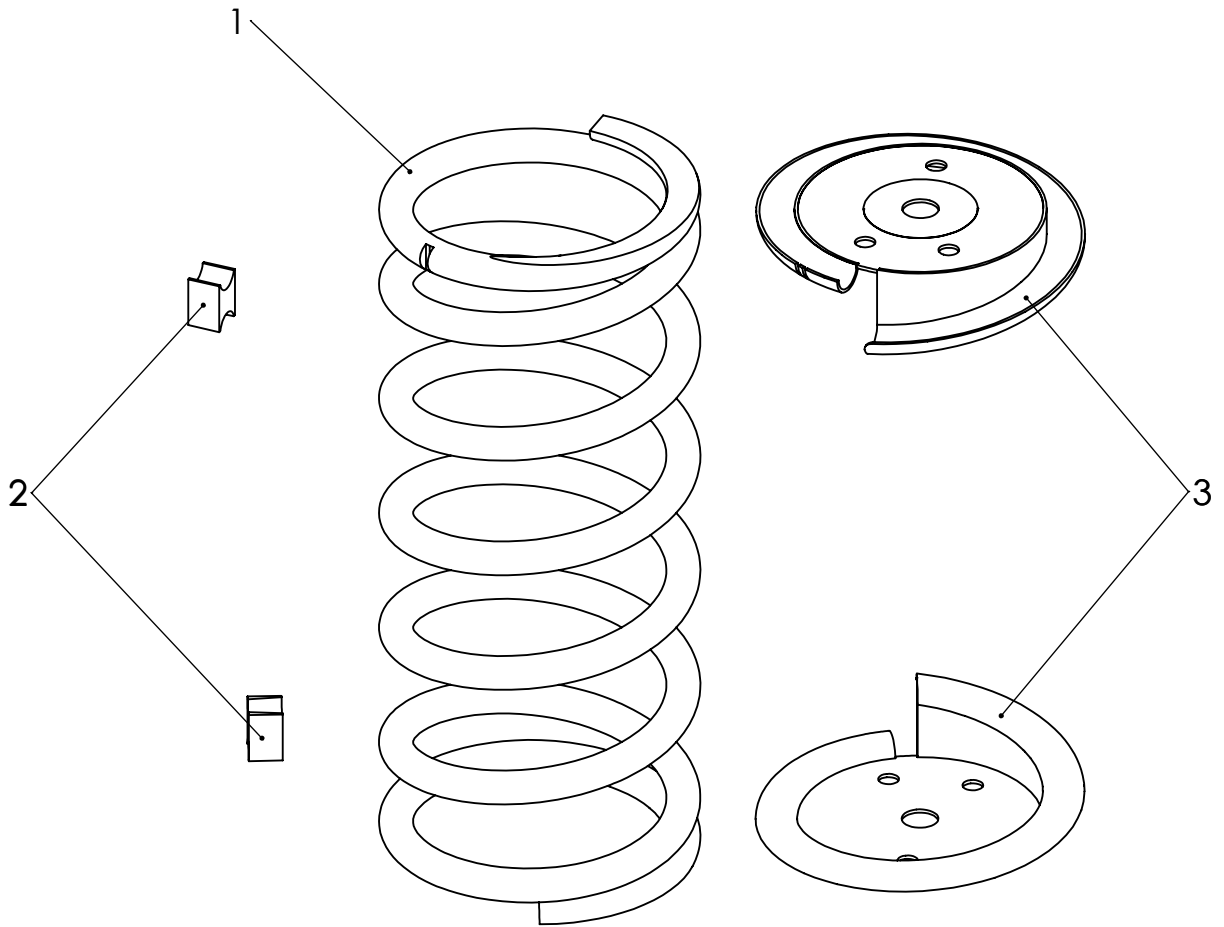
B

C

D

E

F



ITEM NO.	PART NUMBER	QTY.
1	spring	1
2	distance block	2
3	spring plate	2

UNLESS OTHERWISE SPECIFIED:  
 DIMENSIONS ARE IN MILLIMETERS  
 WEIGHT ARE IN KILOGRAMM

PART NUMBER / DWG NO.:

VL59

	NAME	SIGNATURE	DATE	REVISION
DRAWN	E.Reispere		16.05.2024	
APPV'D				

DESCRIPTION:

Spring swing SHEEP



**Tiptiptap** <sup>OO</sup>

MATERIAL:

wood, metal, plastic

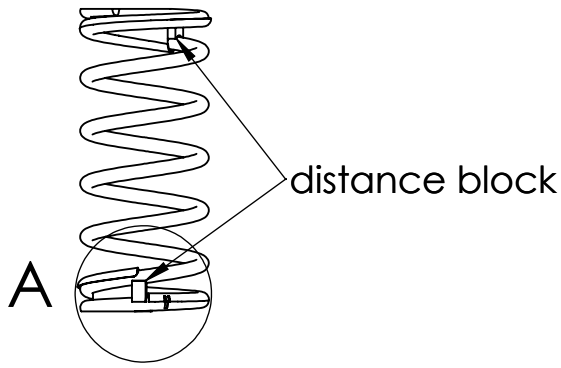
A4

WEIGHT:

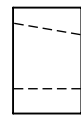
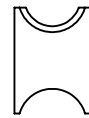
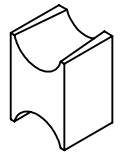
SCALE: 1:4

SHEET 6 OF 10

A



view 1



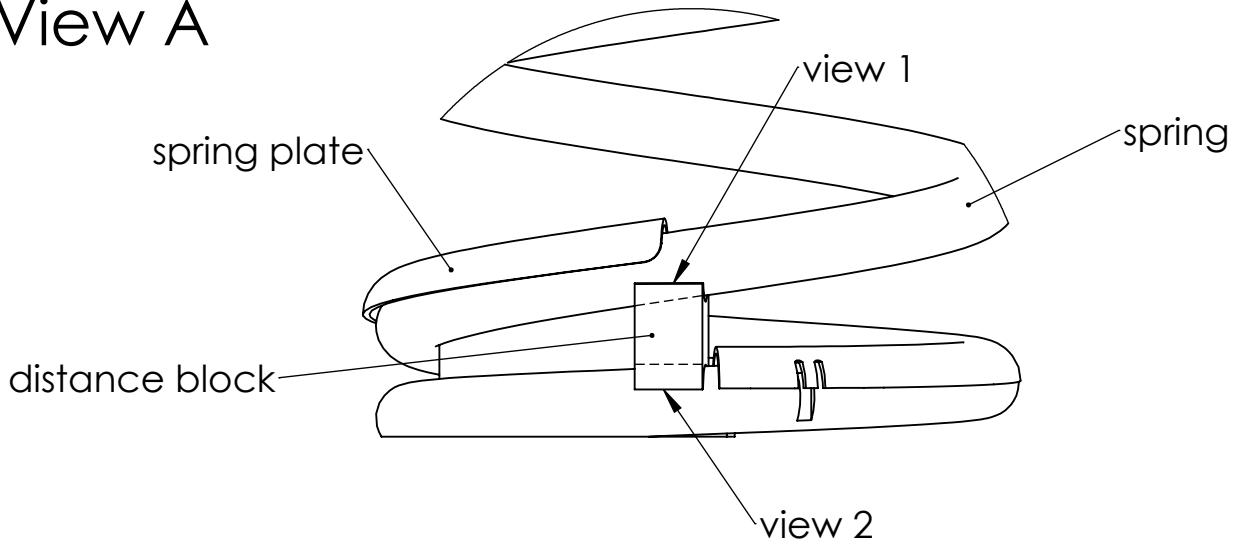
view 2



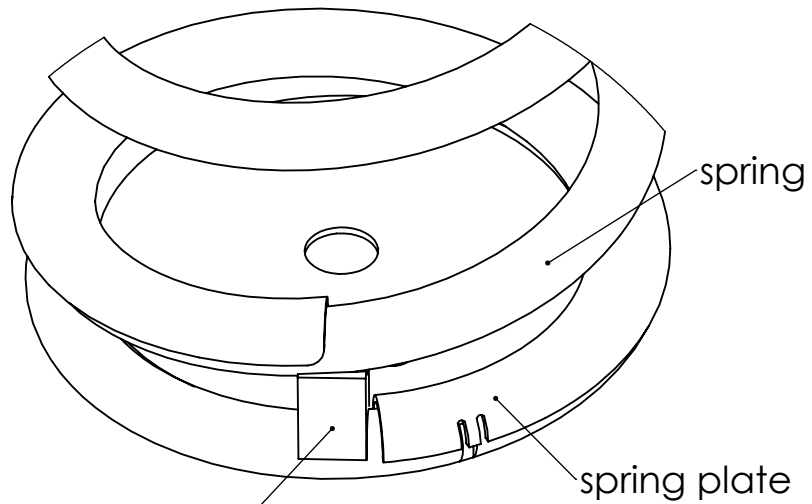
B

# View A

C



D



E

F

UNLESS OTHERWISE SPECIFIED:  
DIMENSIONS ARE IN MILLIMETERS  
WEIGHT ARE IN KILOGRAMM

PART NUMBER / DWG NO.:

VL59

	NAME	SIGNATURE	DATE	REVISION
DRAWN	E.Reispere		16.05.2024	
APPV'D				

DESCRIPTION:

Spring swing SHEEP

MATERIAL:

wood, metal, plastic

A4

WEIGHT:

SCALE: 1:4

SHEET 7 OF 10



# Tiptiptap<sup>00</sup>

A

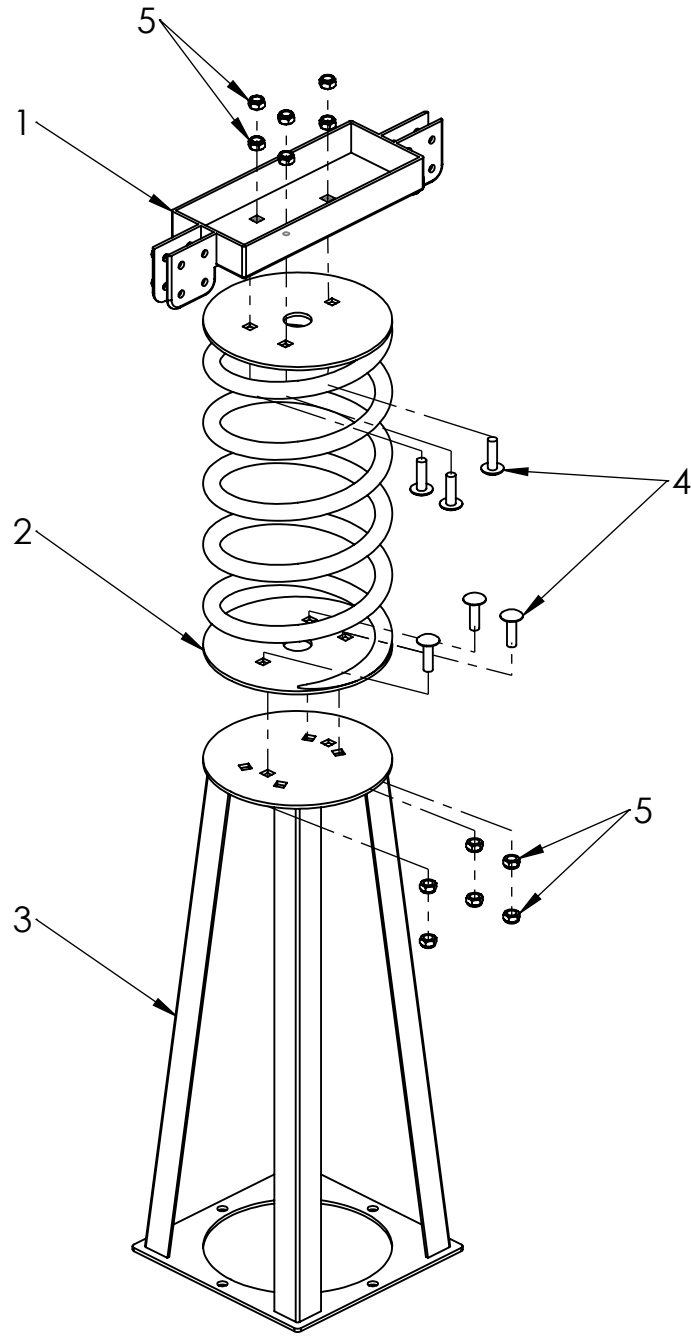
B

C

D

E

F



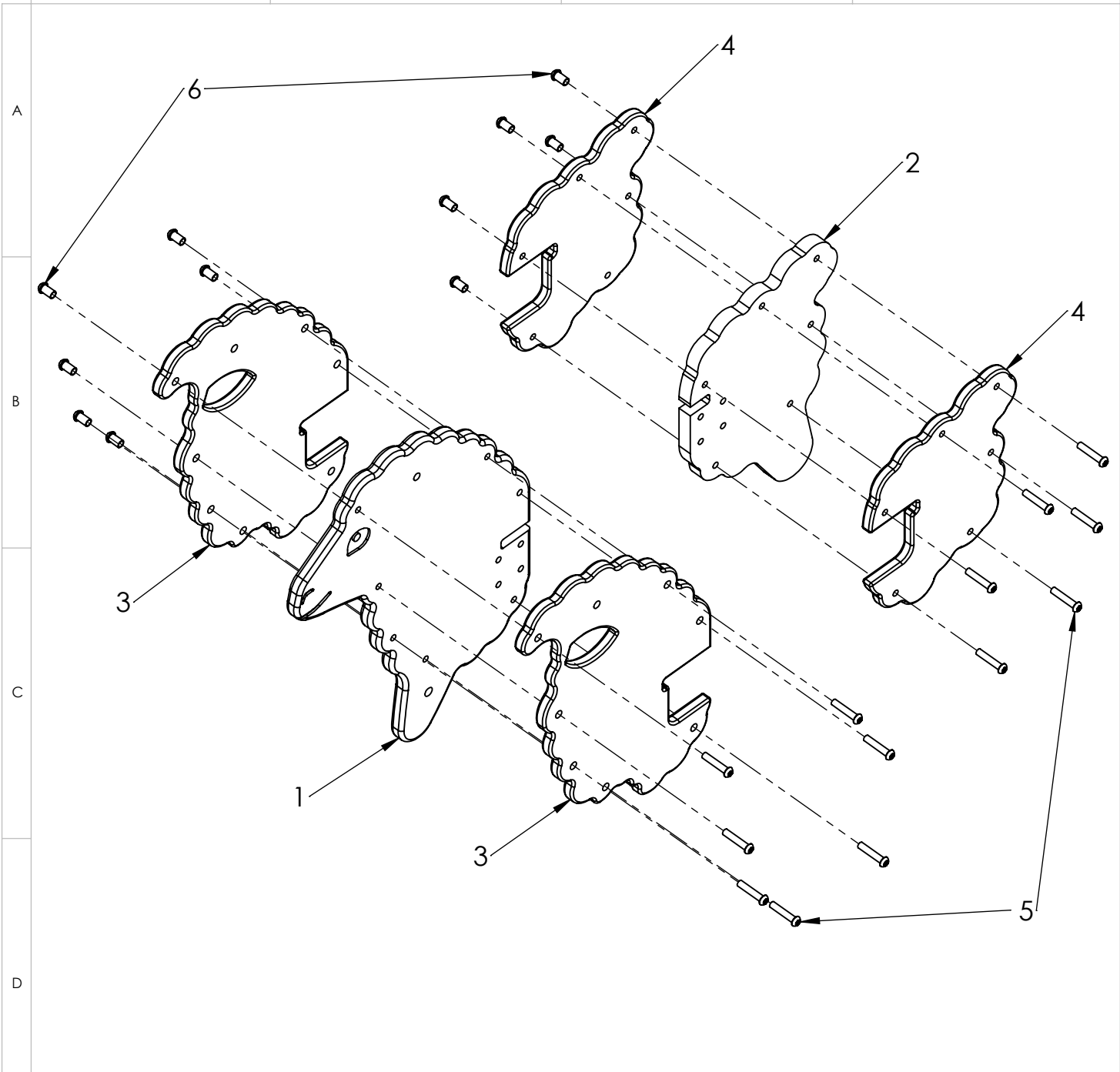
ITEM NO.	PART NUMBER
1	central console
2	spring with spring disk
3	ground fixing
4	bolt DIN603 M10x35
5	nut DIN985 M10

UNLESS OTHERWISE SPECIFIED: DIMENSIONS ARE IN MILLIMETERS WEIGHT ARE IN KILOGRAMM				
	NAME	SIGNATURE	DATE	REVISION
DRAWN	E.Reispere		16.05.2024	
APPV'D				

PART NUMBER / DWG NO.:	VL59
DESCRIPTION:	Spring swing SHEEP



MATERIAL:	wood, metal, plastic	A4
WEIGHT:		SCALE: 1:10
		SHEET 8 OF 10



ITEM NO.	PART NUMBER
1	VL59 head pastic 1
2	VL59 tail pastic 1
3	VL59 head pastic 2
4	VL59 tail pastic 2
5	M8x40 Art. 9121 TX-PIN
6	M8x16 barrel nut

UNLESS OTHERWISE SPECIFIED: DIMENSIONS ARE IN MILLIMETERS WEIGHT ARE IN KILOGRAMM				
	NAME	SIGNATURE	DATE	REVISION
DRAWN	E.Reispere		16.05.2024	
APPV'D				

PART NUMBER / DWG NO.:		VL59	
DESCRIPTION:			
Spring swing SHEEP			
MATERIAL:		wood, metal, plastic	A4
WEIGHT:		SCALE: 1:20	SHEET 9 OF 10

F

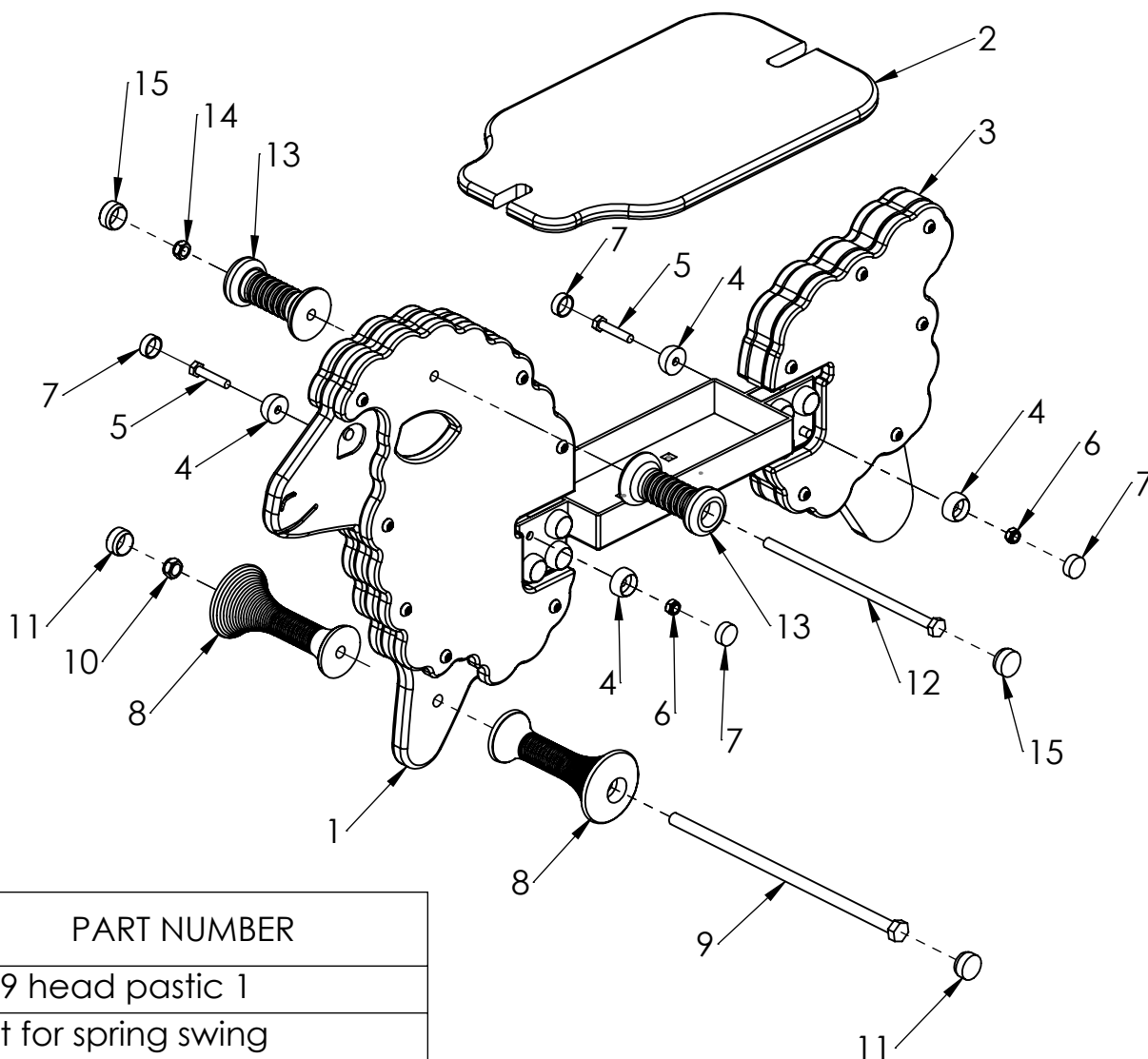


**Tiptiptap** OÜ

A

B

C



D

E

F

ITEM NO.	PART NUMBER
1	VL59 head pastic 1
2	seat for spring swing
3	VL59 tail pastic 1
4	nut cover M8
5	bolt DIN933 M8x40
6	nut DIN985 M8
7	nut cover cap M8
8	Spring swing leg holder
9	bolt M12x305 DIN931
10	nut DIN985 M12
11	Spring swing leg holder cap
12	bolt M10x230 DIN931
13	Spring swing handle
14	nut DIN985 M10
15	Spring swing handle cap

UNLESS OTHERWISE SPECIFIED:  
DIMENSIONS ARE IN MILLIMETERS  
WEIGHT ARE IN KILOGRAMM

	NAME	SIGNATURE	DATE	REVISION
DRAWN	E.Reispere		16.05.2024	
APPV'D				

PART NUMBER / DWG NO.:

VL59

DESCRIPTION:

Spring swing SHEEP

MATERIAL:

wood, metal, plastic

A4

WEIGHT:

SCALE: 1:20

SHEET 10 OF 10



**Tiptiptap** OÜ