

A

B

C

D

E

F



UNLESS OTHERWISE SPECIFIED:
 DIMENSIONS ARE IN MILLIMETERS
 WEIGHT ARE IN KILOGRAMM

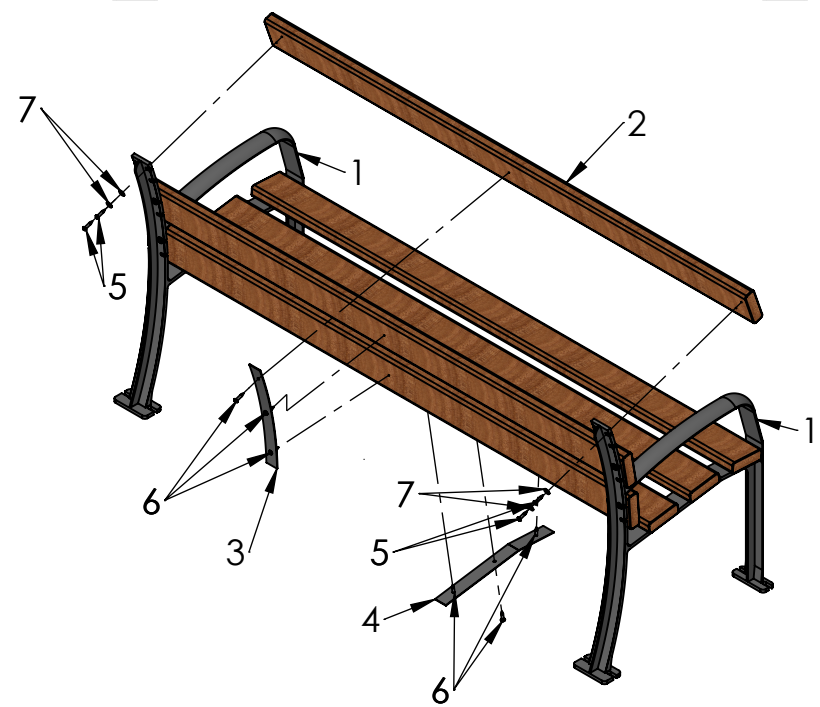
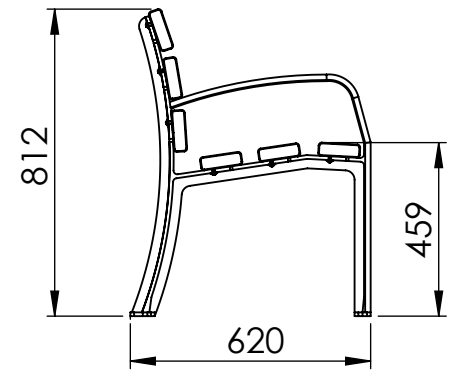
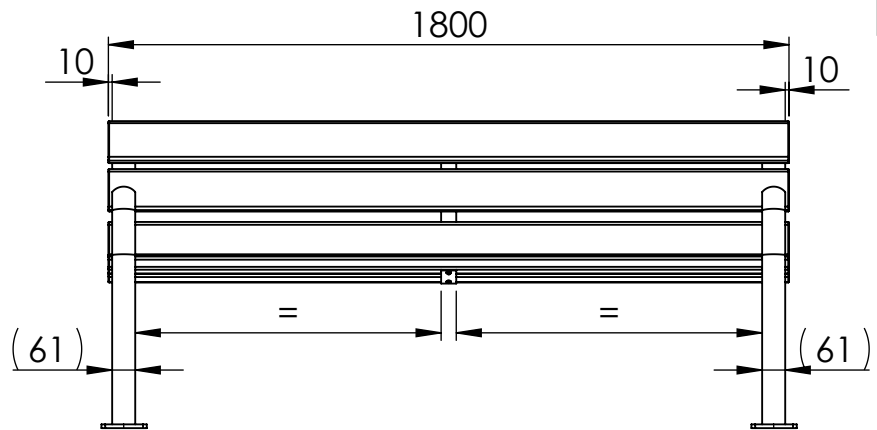
Product code: **PP102**

	NAME	SIGNATURE	DATE
DRAWN	M.Kalamees		09/11/2023

DESCRIPTION: **Park bench MADERA**



	A4
WEIGHT:	SCALE: 1:50
	SHEET 1 OF 3



ITEM NO.	PART NUMBER
1	Foot
2	Board
3	Mountin plate no. 1
4	Mouting plate no. 2
5	Screw 6x40 DIN9112
6	Screw 6x30 DIN9112
7	M6 washer DIN9021

UNLESS OTHERWISE SPECIFIED:
DIMENSIONS ARE IN MILLIMETERS
WEIGHT ARE IN KILOGRAMM

	NAME	SIGNATURE	DATE	REVISION
DRAWN	M. Kalamees		09/11/2023	
APPV'D				

PART NUMBER / DWG NO.:
PP102

DESCRIPTION:
Park bench MADERA

MATERIAL:
A4

WEIGHT: SCALE: 1:16 SHEET 2 OF 3

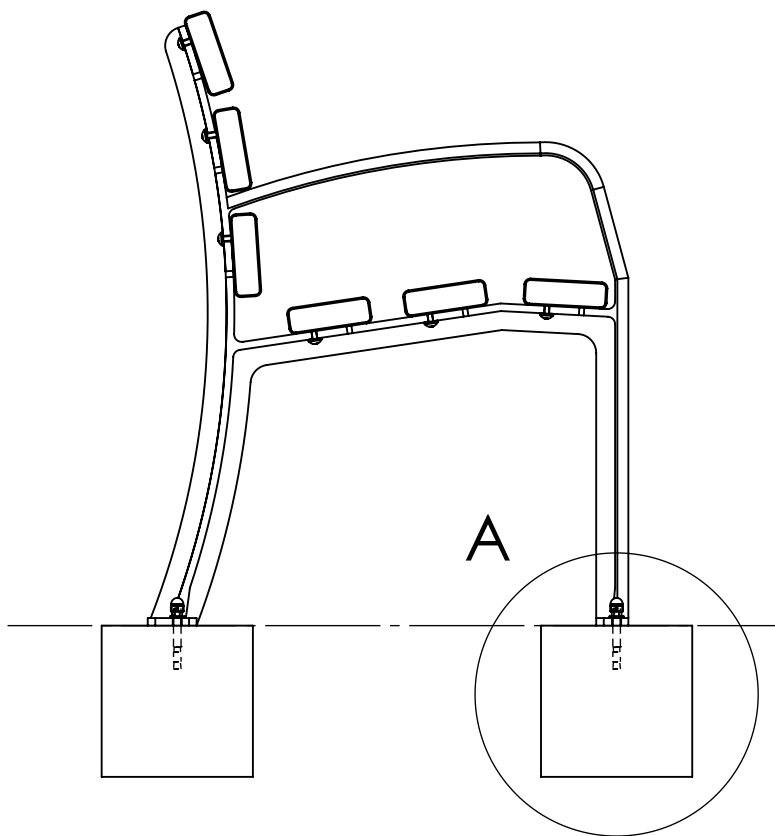
Remark:
Pre-drill D3.0 holes to install the 6x40 and 6x30 screws.



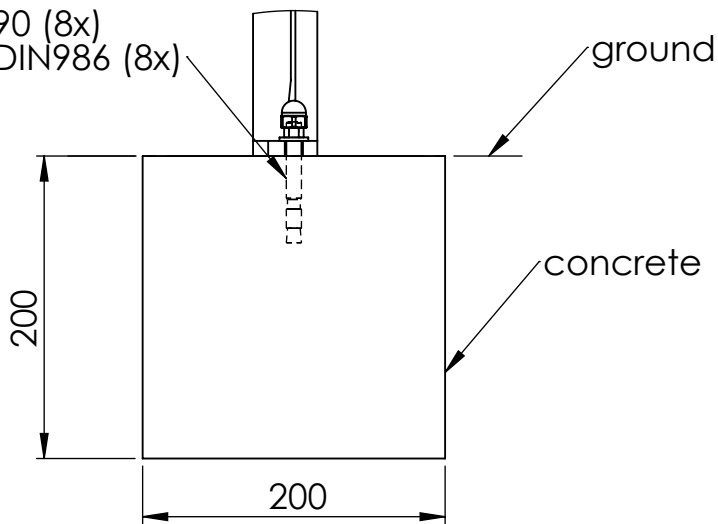
A

B

C



Wedge anchor M10X90 (8x)
 M10 domed cap nut DIN986 (8x)



DETAIL A
 SCALE 1 : 5

D

E

UNLESS OTHERWISE SPECIFIED:
 DIMENSIONS ARE IN MILLIMETERS
 WEIGHT ARE IN KILOGRAMM

Product code:

PP102

NAME

SIGNATURE

DATE

DRAWN

M.Kalamees

09/11/2023

DESCRIPTION:

Park bench MADERA

F



Tiptiptap ^{ÖÜ}

WEIGHT:

SCALE: 1:50

A4

SHEET 3 OF 3