

1

2

3

4

A

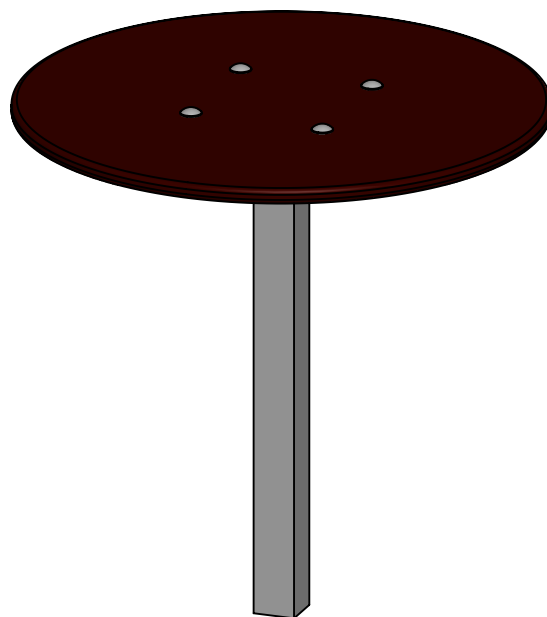
B

C

D

E

F



UNLESS OTHERWISE SPECIFIED:
DIMENSIONS ARE IN MILLIMETERS
WEIGHT ARE IN KILOGRAMM

PART NUMBER / DWG NO.:

IPL601

	NAME	SIGNATURE	DATE	REVISION
DRAWN	M.Rebase		23.03.2017	
APPV'D				

DESCRIPTION:

Table (round)



Tiptaptap OÜ

Tiptaptap OÜ
Veetorni 9,
Jüri alevik, Rae vald,
75301 Harjumaa

MATERIAL:

wood, metal, plastic

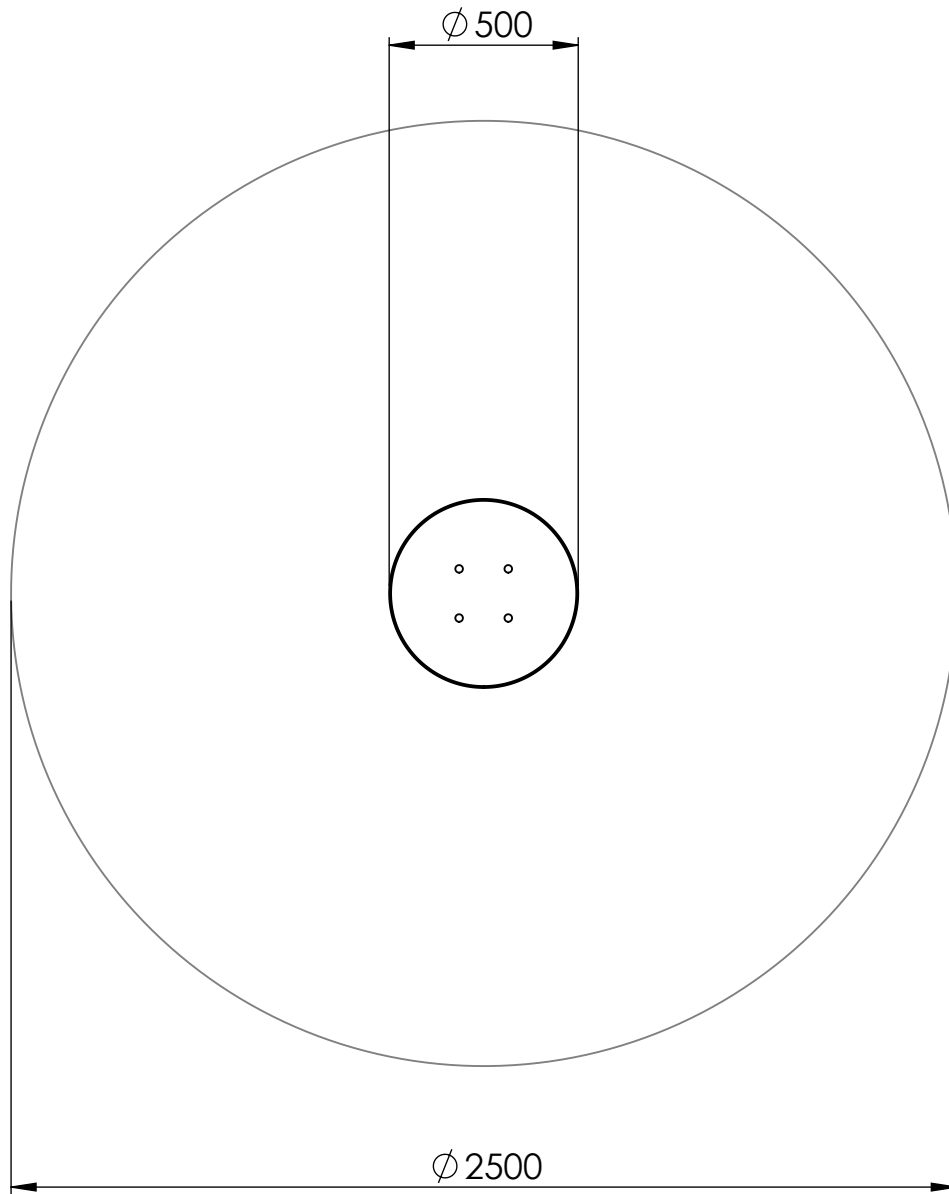
A4

WEIGHT:

SCALE: 1:7

SHEET 1 OF 4

safety area



UNLESS OTHERWISE SPECIFIED:
DIMENSIONS ARE IN MILLIMETERS
WEIGHT ARE IN KILOGRAMM

PART NUMBER / DWG NO.:

IPL601

	NAME	SIGNATURE	DATE	REVISION
DRAWN	M.Rebase		23.03.2017	
APPV'D				

DESCRIPTION:

Table (round)



Tiptaptap OÜ

Tiptaptap OÜ
Veetorni 9,
Jüri alevik, Rae vald,
75301 Harjumaa

MATERIAL:

wood, metal, plastic

A4

WEIGHT:

SCALE: 1:20

SHEET 2 OF 4

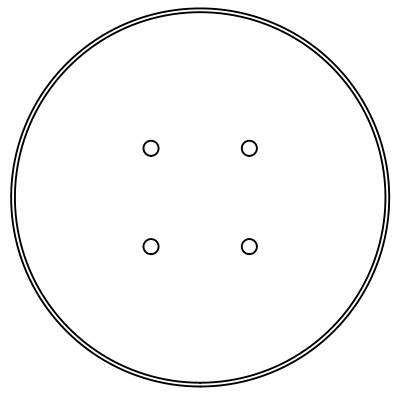
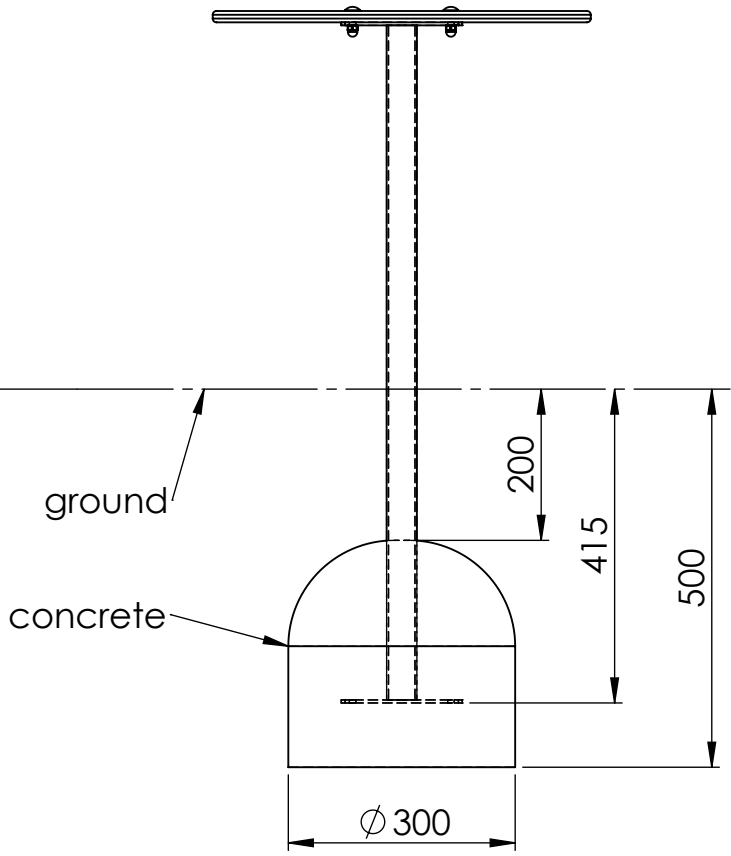
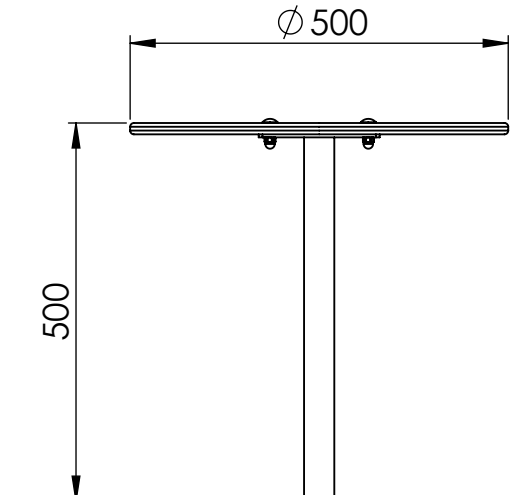
A

B

C

D

E



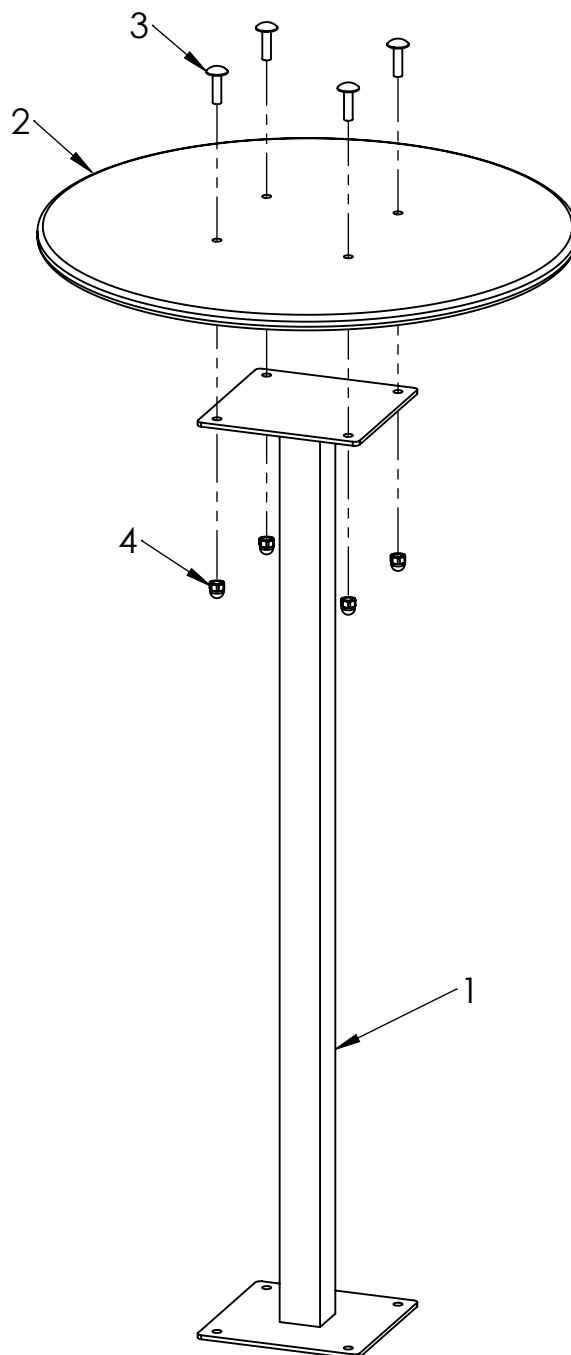
UNLESS OTHERWISE SPECIFIED: DIMENSIONS ARE IN MILLIMETERS WEIGHT ARE IN KILOGRAMM				
	NAME	SIGNATURE	DATE	REVISION
DRAWN	M.Rebase		23.03.2017	
APPV'D				

PART NUMBER / DWG NO.:	IPL601
DESCRIPTION:	Table (round)


Tiptaptap OÜ
 Veetorni 9,
 Jüri alevik, Rae vald,
 75301 Harjumaa

MATERIAL:	wood, metal, plastic	A4
WEIGHT:	SCALE: 1:10	SHEET 3 OF 4

A



B

C

D

E

ITEM NO.	PART NUMBER	DESCRIPTION	QTY.
1	metal leg	painted steel	1
2	circle plate d.500	plywood	1
3	bolt DIN603 M8x30	galvanized steel	4
4	domed cap nut DIN986 M8	galvanized steel	4

UNLESS OTHERWISE SPECIFIED:
DIMENSIONS ARE IN MILLIMETERS
WEIGHT ARE IN KILOGRAMM

PART NUMBER / DWG NO.:

IPL601

	NAME	SIGNATURE	DATE	REVISION
DRAWN	M.Rebase		23.03.2017	
APPV'D				

DESCRIPTION:

Table (round)

F



Tiptiptap OÜ

Tiptiptap OÜ
Veetorni 9,
Jüri alevik, Rae vald,
75301 Harjumaa

MATERIAL:

wood, metal, plastic

A4

WEIGHT:

SCALE: 1:7

SHEET 4 OF 4