

A

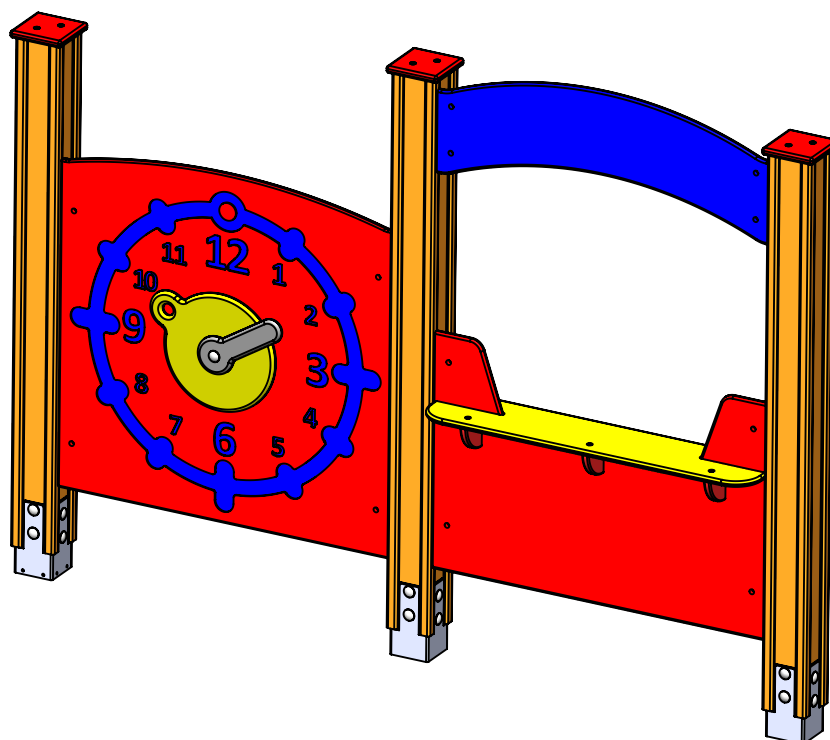
B

C

D

E

F



UNLESS OTHERWISE SPECIFIED:
DIMENSIONS ARE IN MILLIMETERS
WEIGHT ARE IN KILOGRAMM

PART NUMBER / DWG NO.:

AW06

	NAME	SIGNATURE	DATE	REVISION
DRAWN	R.Fedotov		27.03.2018	
APPV'D				

DESCRIPTION:

Activity wall CLOCK & COUNTER



Tiptaptap OÜ

Tiptaptap OÜ
Veetorni 9,
Jüri alevik, Rae vald,
75301 Harjumaa

MATERIAL:

wood, metal, plastic

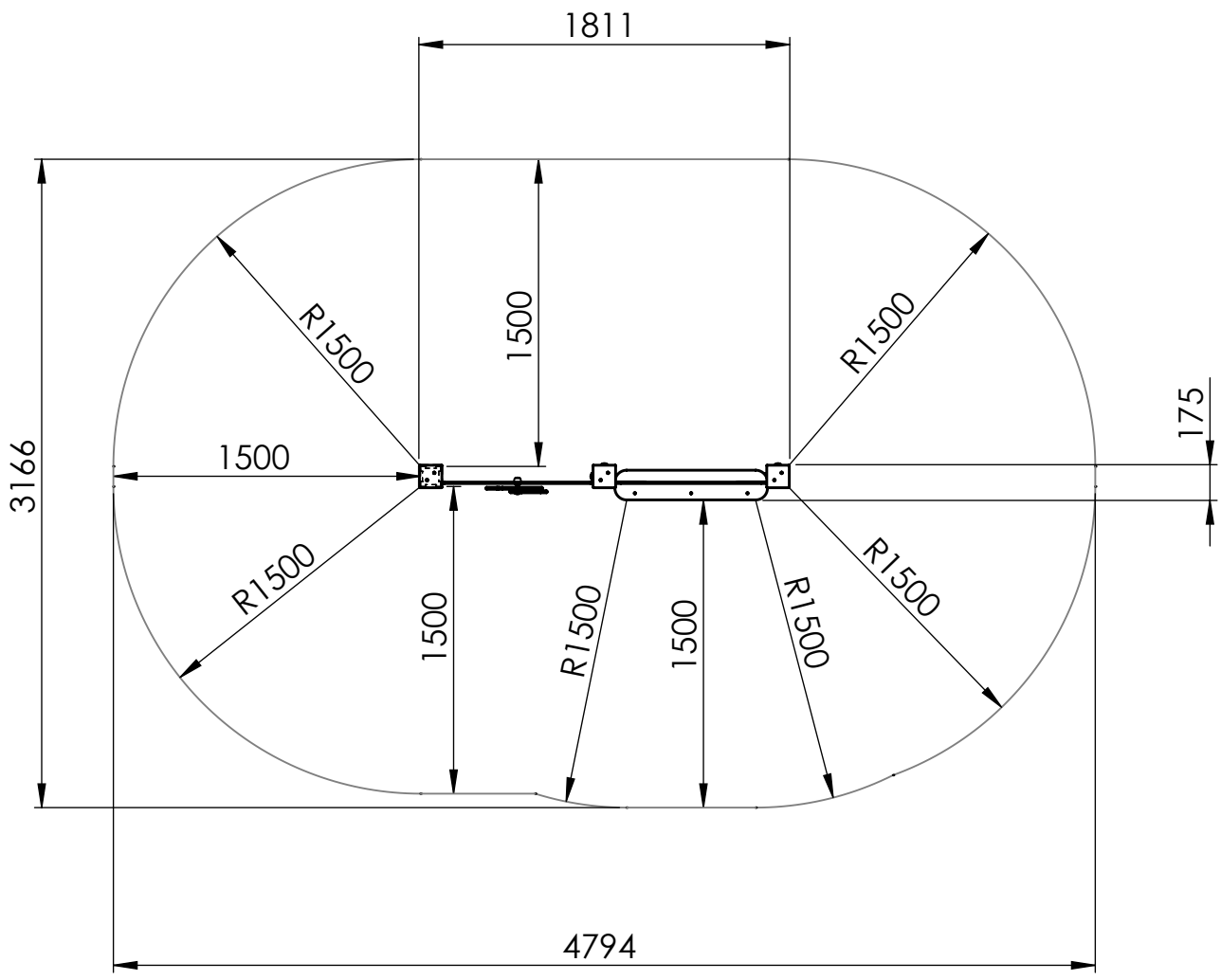
A4

WEIGHT:

SCALE: 1:15

SHEET 1 OF 9

Safety area



UNLESS OTHERWISE SPECIFIED:
DIMENSIONS ARE IN MILLIMETERS
WEIGHT ARE IN KILOGRAMM

PART NUMBER / DWG NO.:
AW06

	NAME	SIGNATURE	DATE	REVISION
DRAWN	R.Fedotov		27.03.2018	
APPV'D				

DESCRIPTION:
Activity wall CLOCK & COUNTER



Tiptaptap OÜ
Veetorni 9,
Jüri alevik, Rae vald,
75301 Harjumaa

MATERIAL:	wood, metal, plastic	A4
WEIGHT:	SCALE: 1:35	SHEET 2 OF 9

Foundation

A

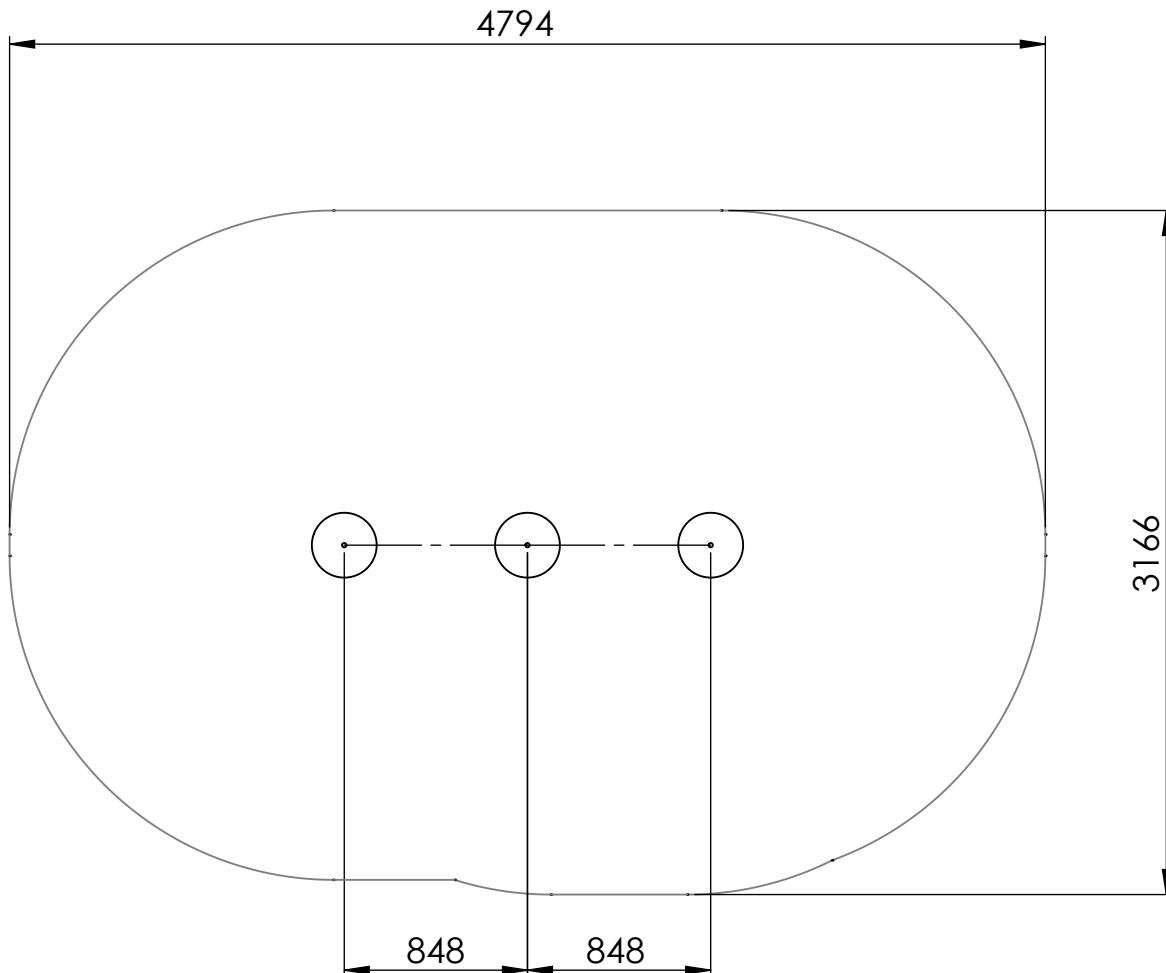
B

C

D

E

F



UNLESS OTHERWISE SPECIFIED: DIMENSIONS ARE IN MILLIMETERS WEIGHT ARE IN KILOGRAMM				
	NAME	SIGNATURE	DATE	REVISION
DRAWN	R.Fedotov		27.03.2018	
APPV'D				

PART NUMBER / DWG NO.:	AW06
------------------------	------

DESCRIPTION:	Activity wall CLOCK & COUNTER
--------------	-------------------------------


Tiptaptap OÜ
 Veetorni 9,
 Jüri alevik, Rae vald,
 75301 Harjumaa

MATERIAL:	wood, metal, plastic	A4
WEIGHT:	SCALE: 1:35	SHEET 3 OF 9

A

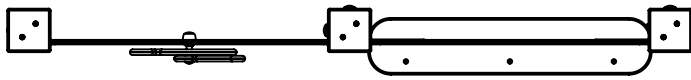
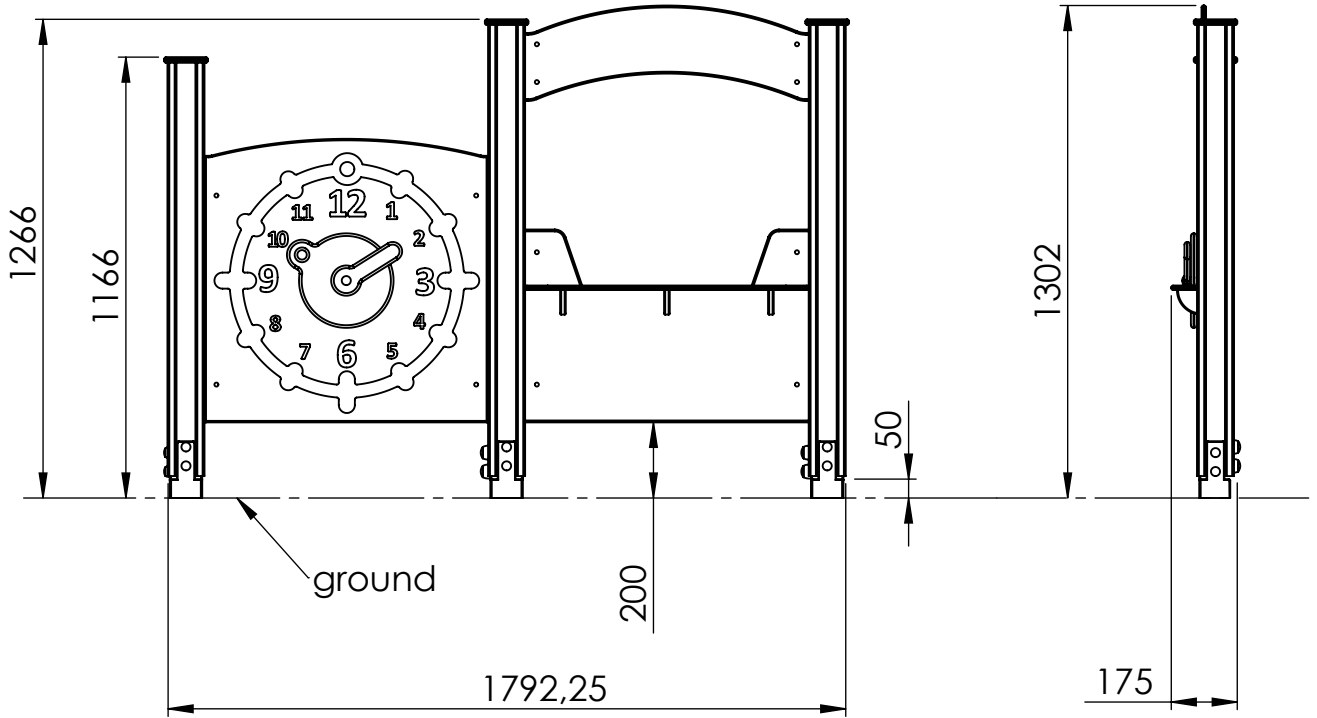
B

C

D

E

F



UNLESS OTHERWISE SPECIFIED:
 DIMENSIONS ARE IN MILLIMETERS
 WEIGHT ARE IN KILOGRAMM

PART NUMBER / DWG NO.:

AW06

	NAME	SIGNATURE	DATE	REVISION
DRAWN	R.Fedotov		27.03.2018	
APPV'D				

DESCRIPTION:

Activity wall CLOCK & COUNTER



Tiptaptap OÜ

Tiptaptap OÜ
 Veetorni 9,
 Jüri alevik, Rae vald,
 75301 Harjumaa

MATERIAL:

wood, metal, plastic

A4

WEIGHT:

SCALE: 1:20

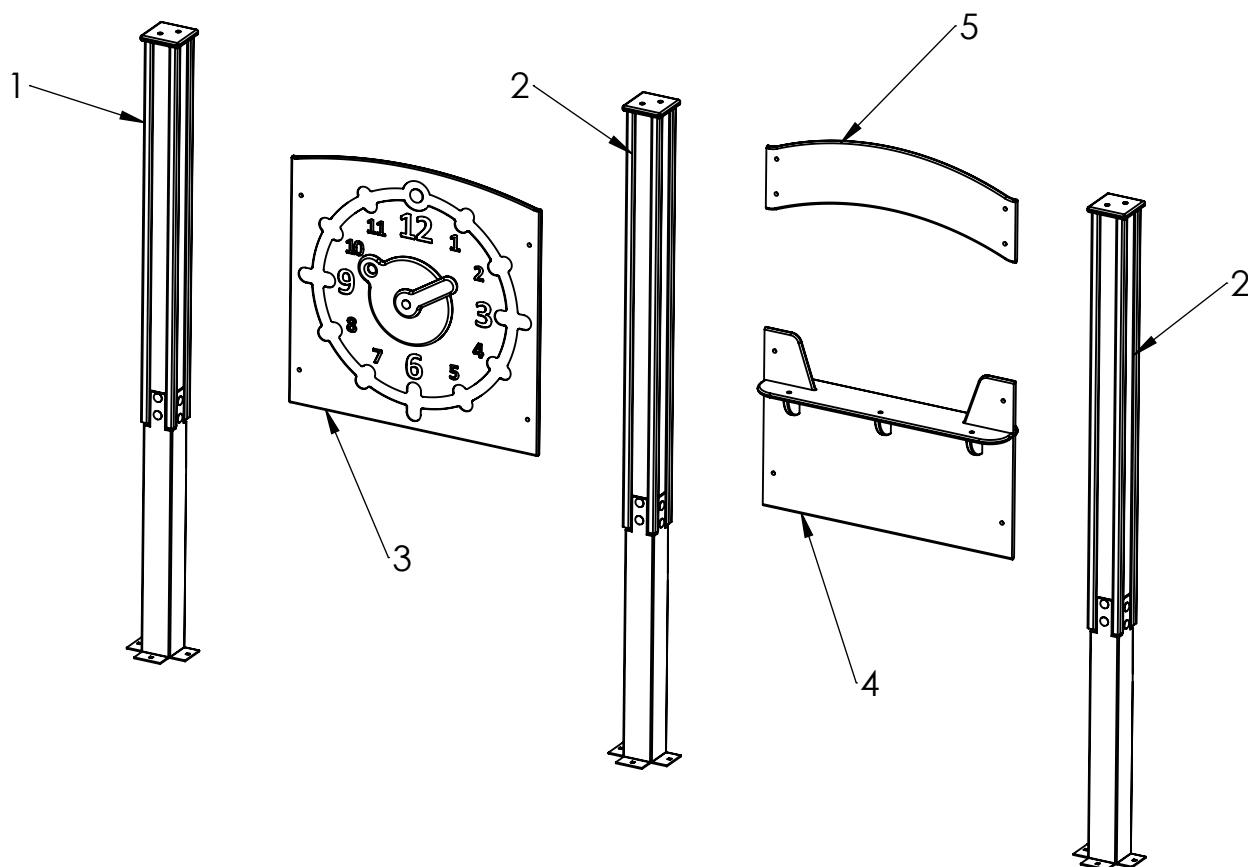
SHEET 4 OF 9

A

B

C

D



E

F

ITEM NO.	PART NUMBER	DESCRIPTION	QTY.
1	post 98x98x1100	laminated wood	1
2	post 98x98x1200	laminated wood	2
3	activity panel CLOCK	HDPE plastic, plywood	1
4	panel Counter	plywood	1
5	upper panel	plywood	1

UNLESS OTHERWISE SPECIFIED:
DIMENSIONS ARE IN MILLIMETERS
WEIGHT ARE IN KILOGRAMM

PART NUMBER / DWG NO.:

AW06

	NAME	SIGNATURE	DATE	REVISION
DRAWN	R.Fedotov		27.03.2018	
APPV'D				

DESCRIPTION:

Activity wall CLOCK & COUNTER



Tiptaptap OÜ

Tiptaptap OÜ
Veetorni 9,
Jüri alevik, Rae vald,
75301 Harjumaa

MATERIAL:

wood, metal, plastic

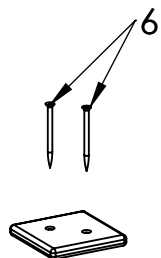
A4

WEIGHT:

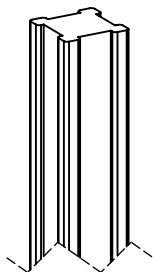
SCALE: 1:20

SHEET 5 OF 9

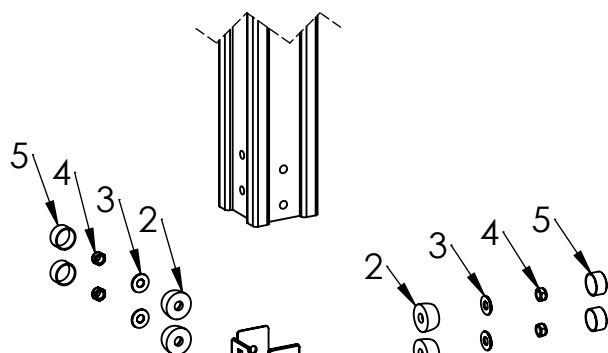
A



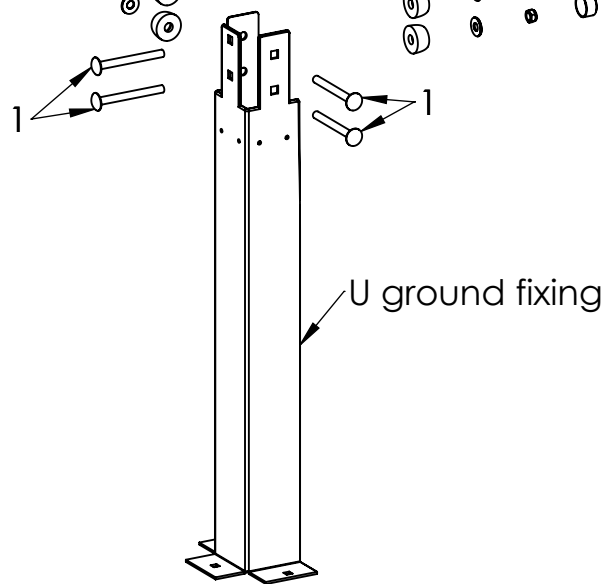
B



C

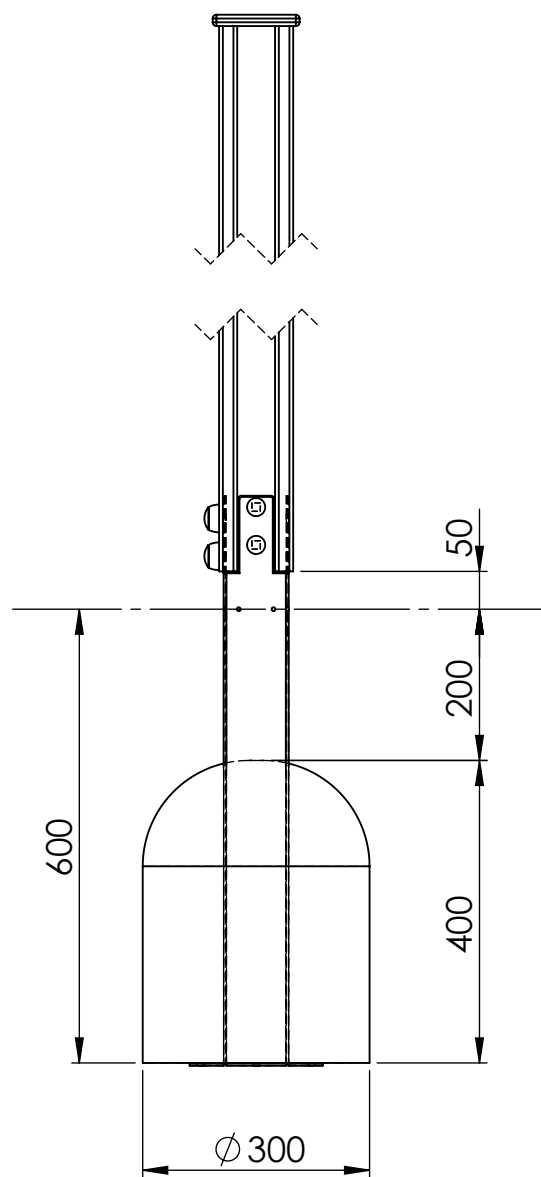


D



U ground fixing

E



ITEM NO.	PART NUMBER
1	bolt DIN603 M10x100
2	nut cover M12
3	Washer M10 DIN9054
4	nut DIN985 M10
5	nut cover cap M12
6	Woodscrew 6 x 90

UNLESS OTHERWISE SPECIFIED:
DIMENSIONS ARE IN MILLIMETERS
WEIGHT ARE IN KILOGRAMM

PART NUMBER / DWG NO.:

AW06

	NAME	SIGNATURE	DATE	REVISION
DRAWN	R.Fedotov		27.03.2018	
APPV'D				

DESCRIPTION:

Activity wall CLOCK & COUNTER
connecting U-ground fixing to post

MATERIAL:

wood, metal, plastic

A4

WEIGHT:

SCALE: 1:10

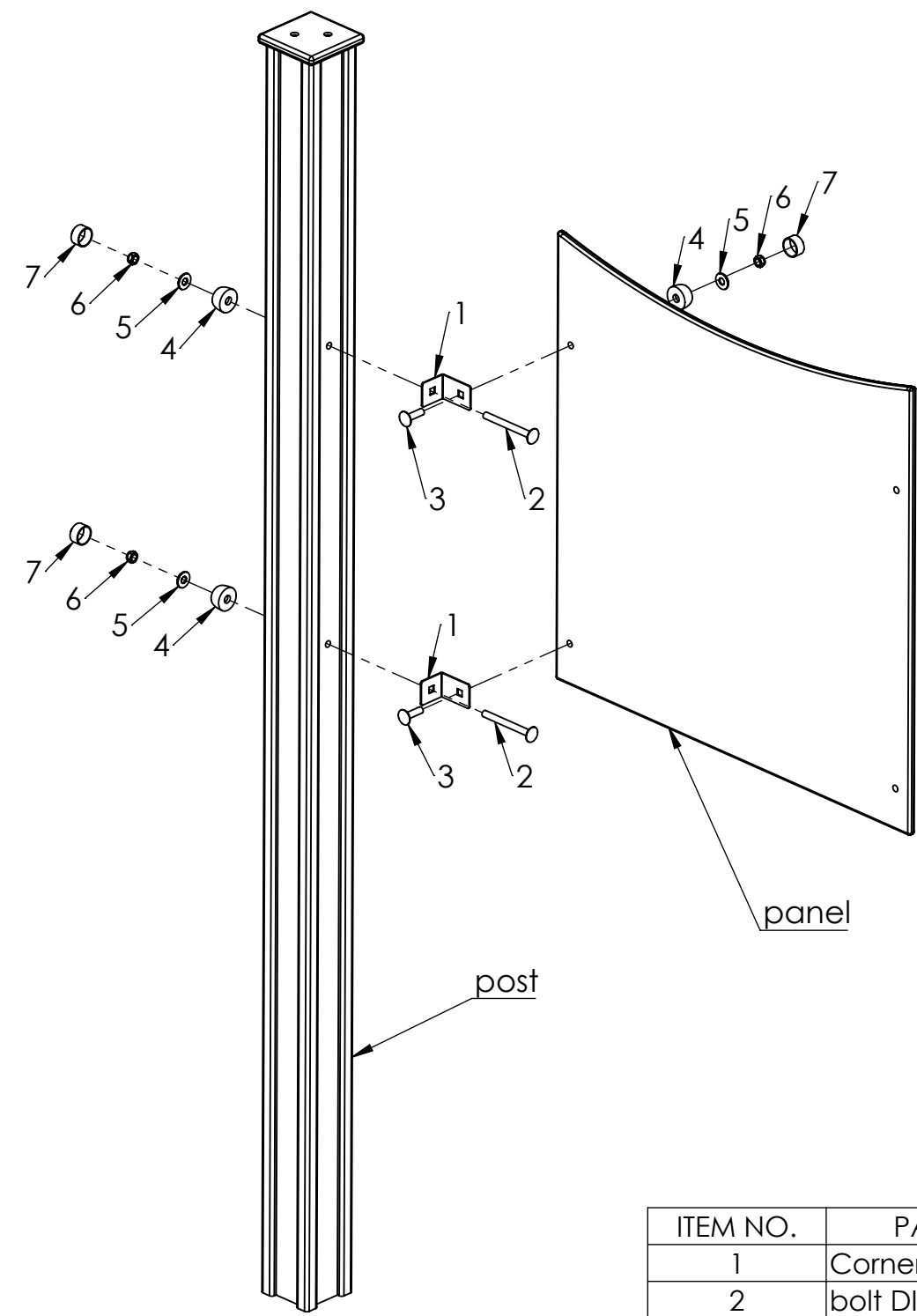
SHEET 6 OF 9



Tiptaptap OÜ

Tiptaptap OÜ
Veetorni 9,
Jüri alevik, Rae vald,
75301 Harjumaa

F



ITEM NO.	PART NUMBER
1	Corner 90° (45x60)
2	bolt DIN603 M10x100
3	bolt DIN603 M10x35
4	nut cover M12
5	Washer M10 DIN9054
6	nut DIN985 M10
7	nut cover cap M12

UNLESS OTHERWISE SPECIFIED: DIMENSIONS ARE IN MILLIMETERS WEIGHT ARE IN KILOGRAMM				
	NAME	SIGNATURE	DATE	REVISION
DRAWN	R.Fedotov		27.03.2018	
APPV'D				

PART NUMBER / DWG NO.: **AW06**

DESCRIPTION:
**Activity wall CLOCK & COUNTER
connecting panel to post**



Tiptap OÜ
Veetorni 9,
Jüri alevik, Rae vald,
75301 Harjumaa

MATERIAL:	wood, metal, plastic	A4
WEIGHT:	SCALE: 1:10	SHEET 7 OF 9

A

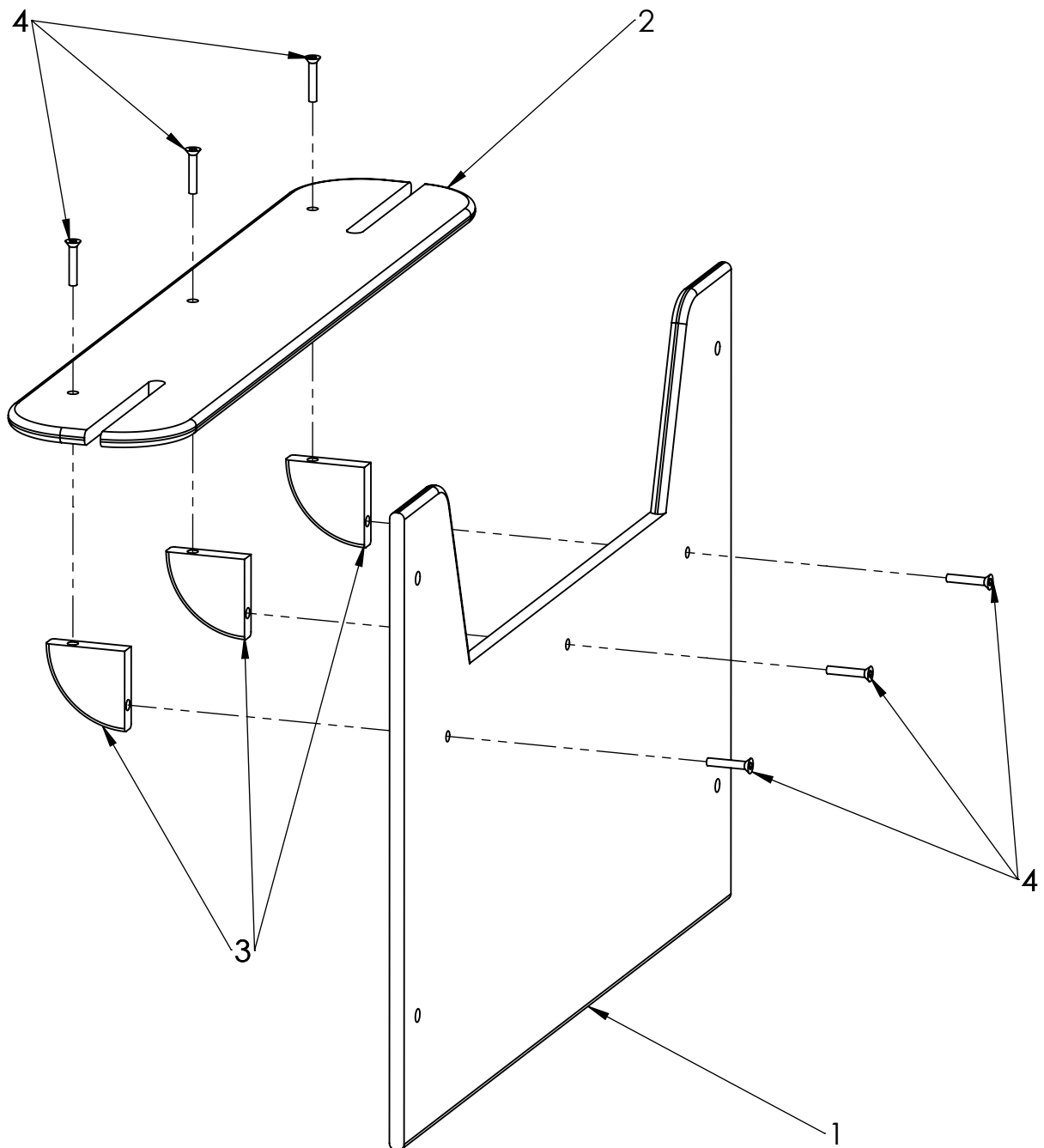
B

C

D

E

F



ITEM NO.	PART NUMBER
1	Table panel
2	Table
3	plastic corner 90°
4	M6x35

UNLESS OTHERWISE SPECIFIED:
 DIMENSIONS ARE IN MILLIMETERS
 WEIGHT ARE IN KILOGRAMM

	NAME	SIGNATURE	DATE	REVISION
DRAWN	R.Fedotov		27.03.2018	
APPV'D				

PART NUMBER / DWG NO.:
AW06

DESCRIPTION:
Activity wall CLOCK & COUNTER



Tiptaptap OÜ

Tiptaptap OÜ
 Veetorni 9,
 Jüri alevik, Rae vald,
 75301 Harjumaa

MATERIAL: wood, metal, plastic

A4

WEIGHT: SCALE: 1:5 SHEET 8 OF 9

A

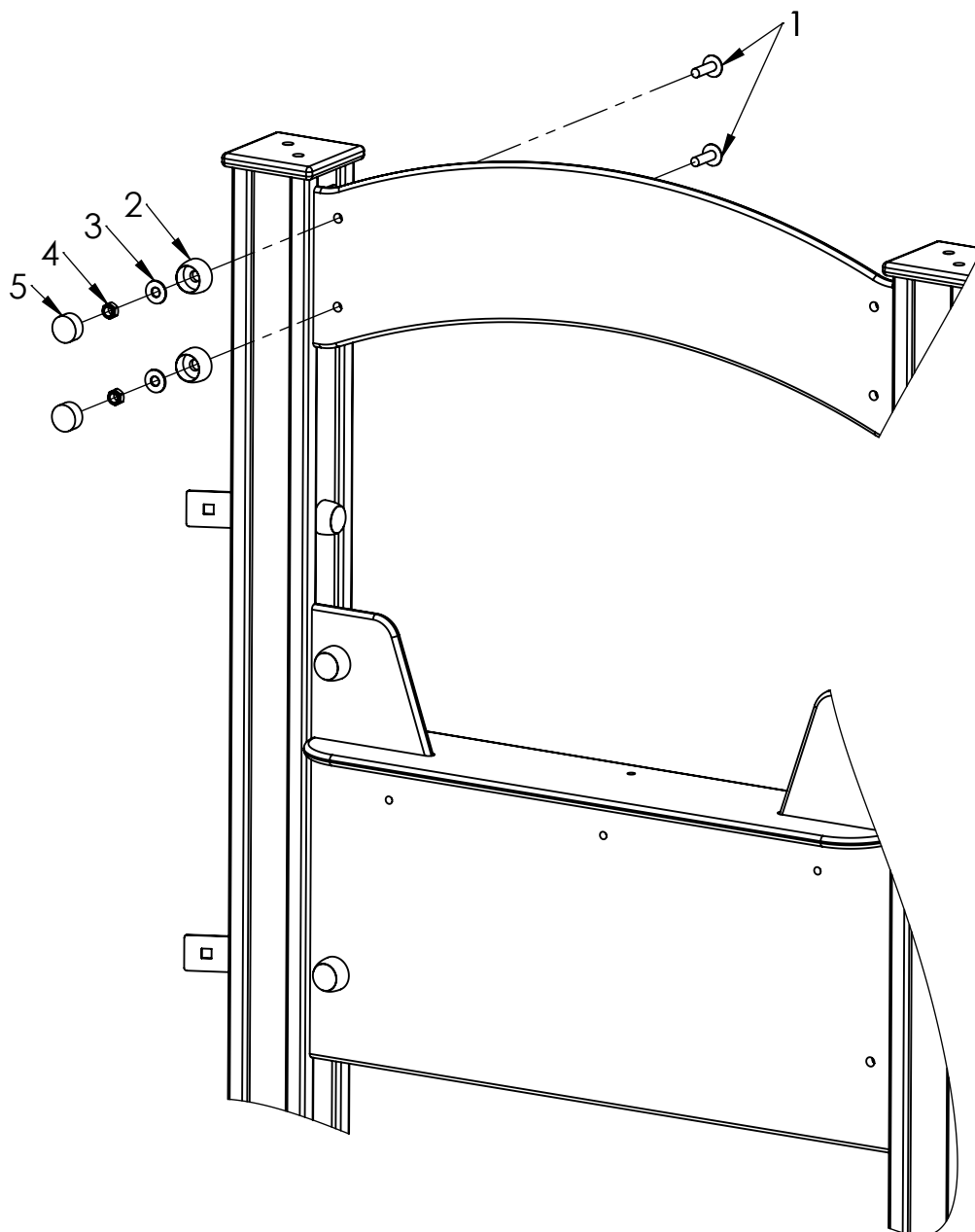
B

C

D

E

F



ITEM NO.	PART NUMBER
1	bolt DIN603 M10x35
2	nut cover M12
3	Washer M10 DIN9054
4	nut DIN985 M10
5	nut cover cap M12

UNLESS OTHERWISE SPECIFIED:
DIMENSIONS ARE IN MILLIMETERS
WEIGHT ARE IN KILOGRAMM

PART NUMBER / DWG NO.:

AW06

	NAME	SIGNATURE	DATE	REVISION
DRAWN	R.Fedotov		27.03.2018	
APPV'D				

DESCRIPTION:

Activity wall CLOCK & COUNTER

MATERIAL:

wood, metal, plastic

A4

WEIGHT:

SCALE: 1:8

SHEET 9 OF 9



Tiptaptap OÜ

Tiptaptap OÜ
Veetorni 9,
Jüri alevik, Rae vald,
75301 Harjumaa