

A

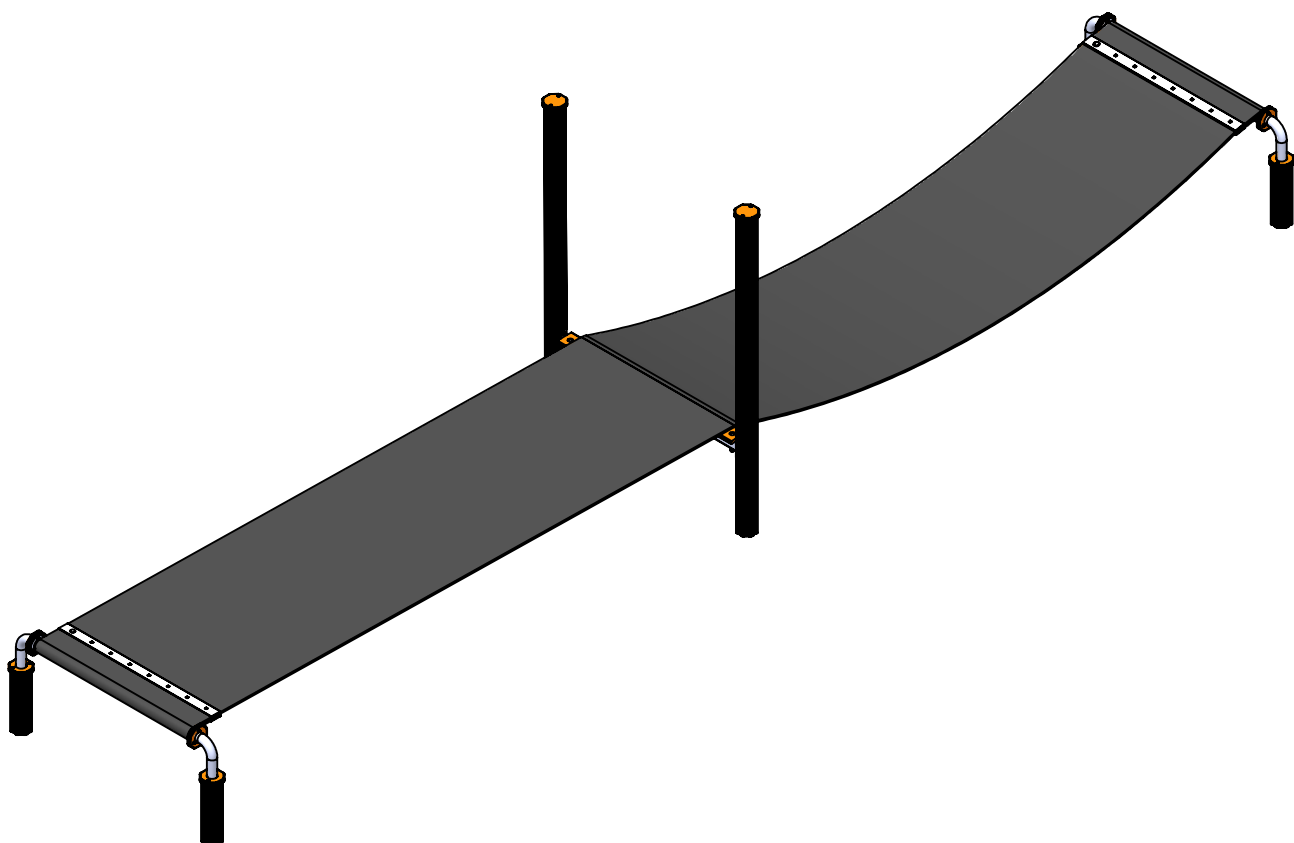
B

C

D

E

F



UNLESS OTHERWISE SPECIFIED:
 DIMENSIONS ARE IN MILLIMETERS
 WEIGHT ARE IN KILOGRAMM

Product code:

O C T004

NAME

SIG NATURE

DATE

DRAWN

M.Kalamees

8/4/2025

DESCRIPTION:

Rubber trampoline



Tiptiptap^{ÖÜ}

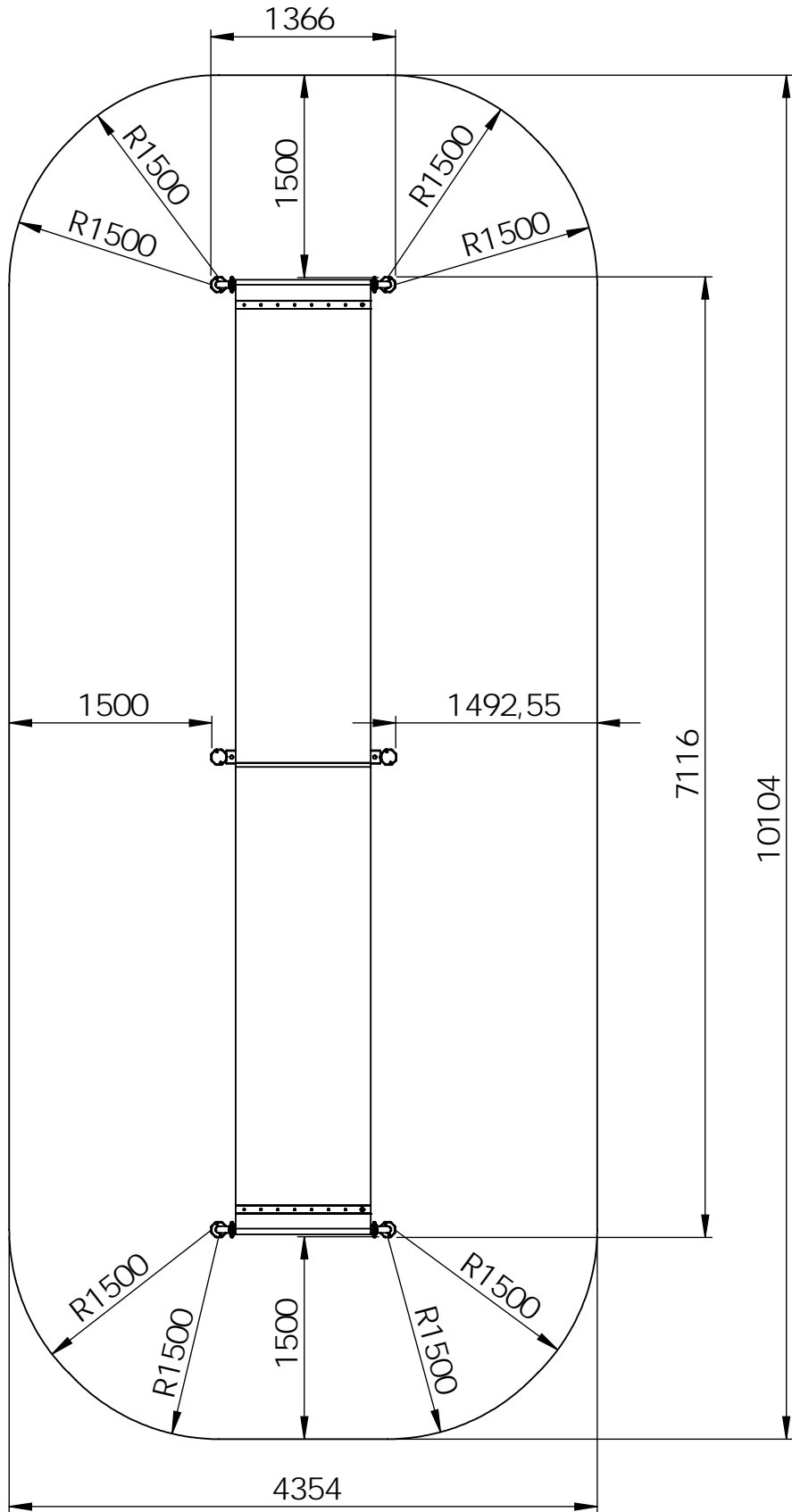
A 4

WEIGHT:

SCALE: 1:100

SHEET 1 OF 9

Safety area



UNLESS OTHERWISE SPECIFIED:
 DIMENSIONS ARE IN MILLIMETERS
 WEIGHT ARE IN KILOGRAMM

Product code: **OCT004**

	NAME	SIGNATURE	DATE
DRAWN	M.Kalamees		8/4/2025

DESCRIPTION: **Rubber trampoline**



WEIGHT:	SCALE: 1:200	A 4
		SHEET 2 OF 9

Foundation

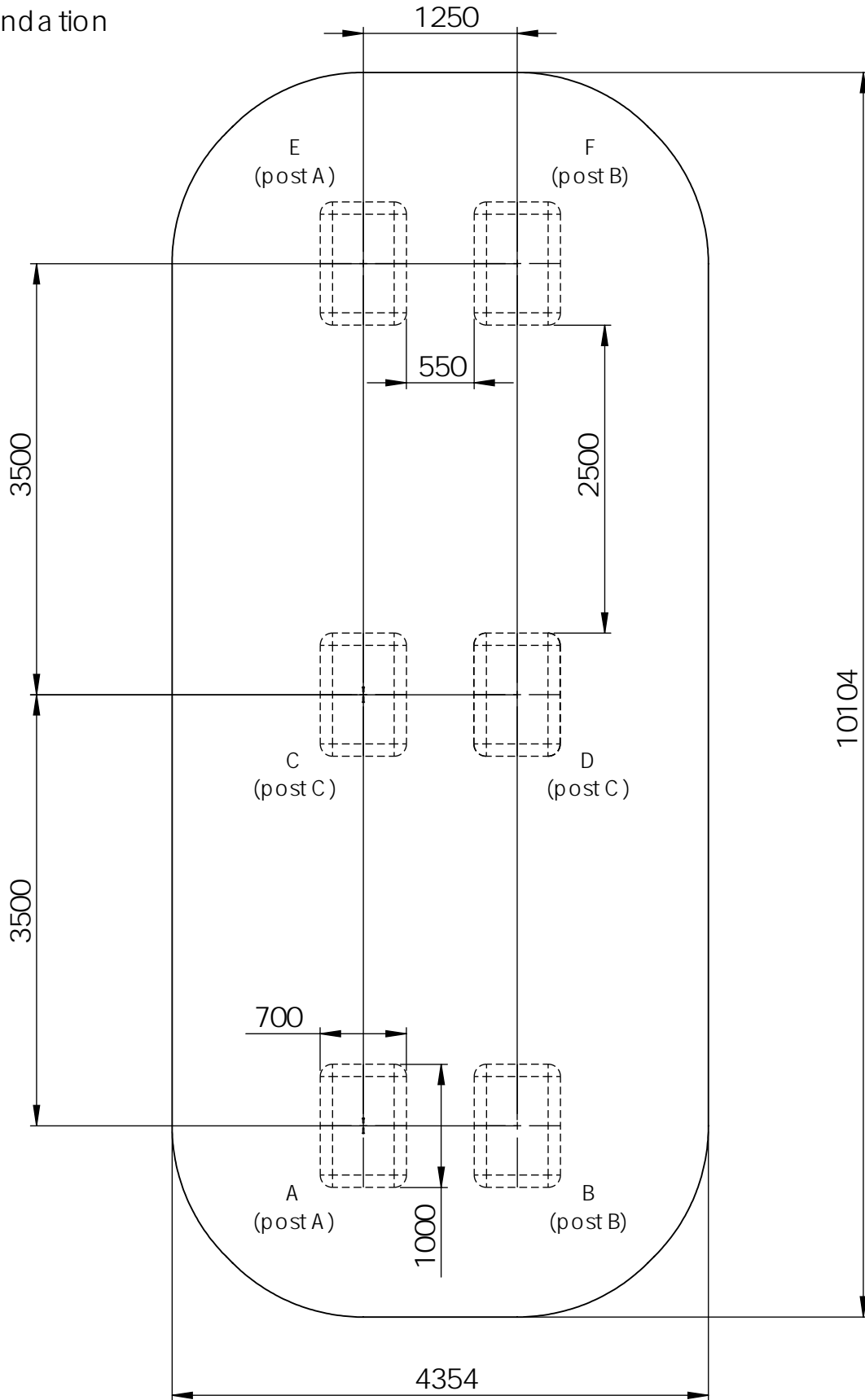
A

B

C

D

E



UNLESS OTHERWISE SPECIFIED:
 DIMENSIONS ARE IN MILLIMETERS
 WEIGHT ARE IN KILOGRAMM

Product code:

OCT004

	NAME	SIGNATURE	DATE
DRAWN	M.Kalamees		8/4/2025

DESCRIPTION:

Rubber trampoline



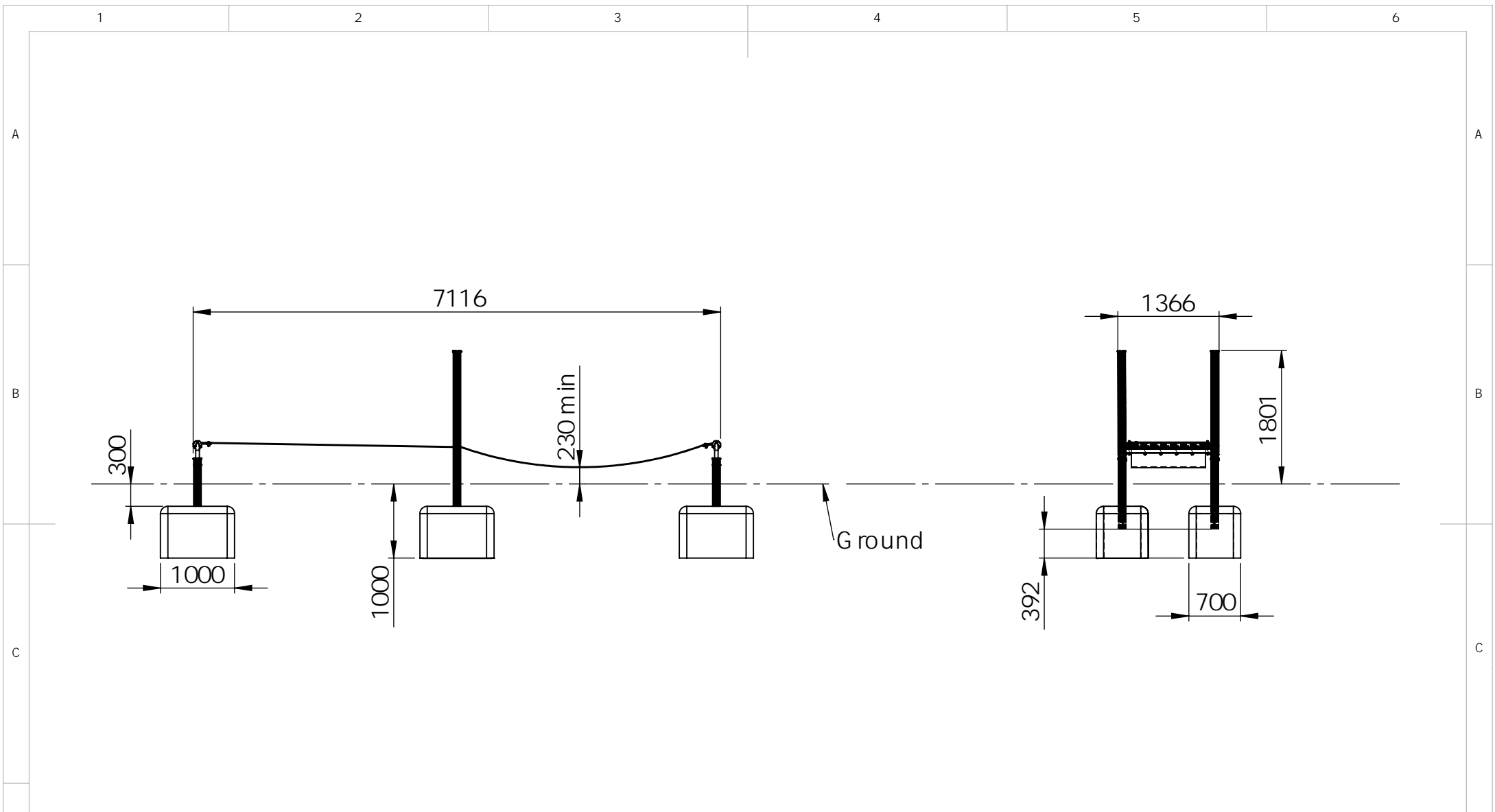
Tiptiptap^{ou}


WEIGHT:

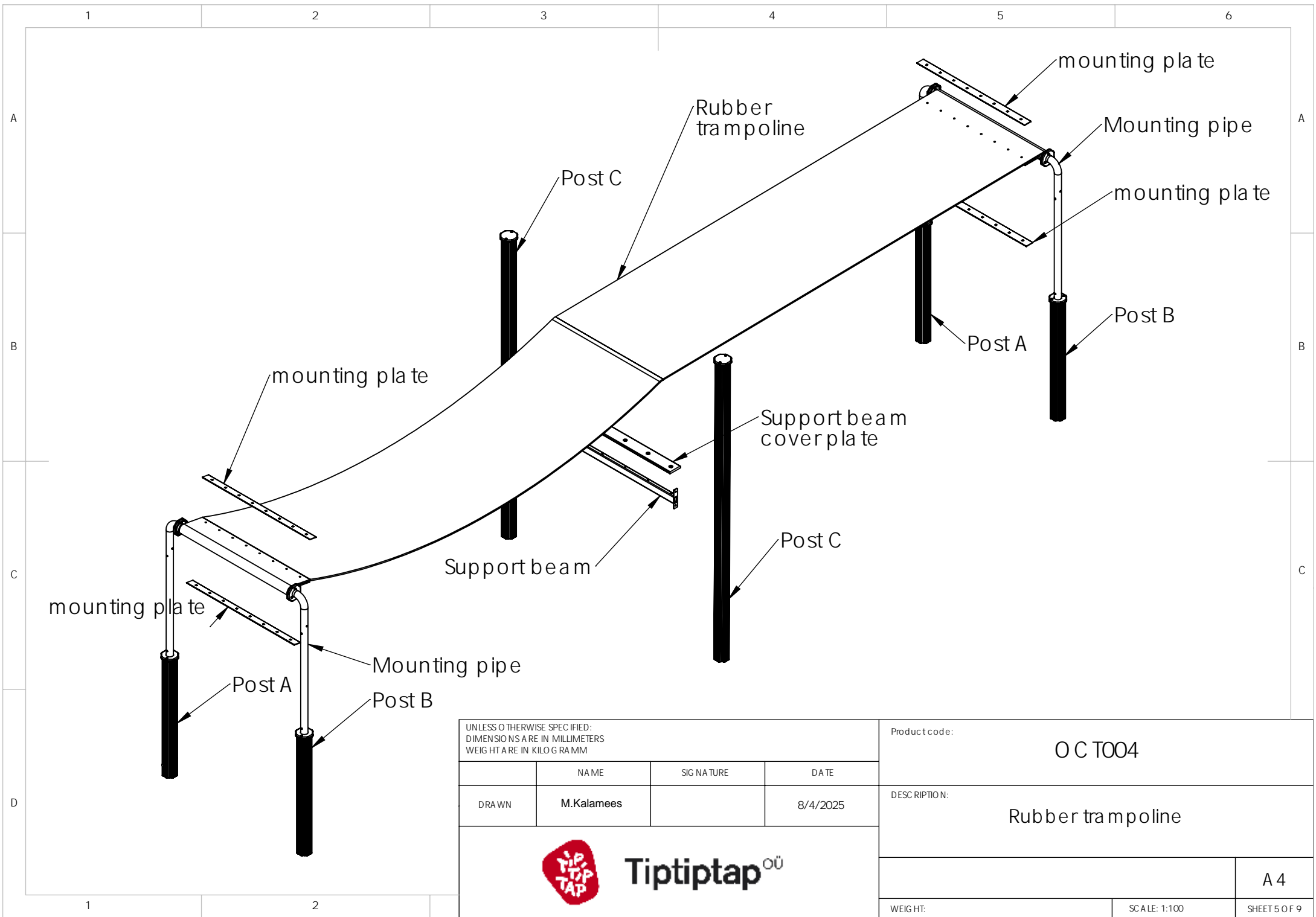
SCALE: 1:200

A 4

SHEET 3 OF 9



UNLESS OTHERWISE SPECIFIED: DIMENSIONS ARE IN MILLIMETERS WEIGHT ARE IN KILOGRAMM				Product code: OC T004	
	NAME	SIGNATURE	DATE	DESCRIPTION: Rubber trampoline	
DRAWN	M.Kalamees		8/4/2025		
 Tiptiptap ^{OO}				A 4	
				WEIGHT:	SCALE: 1:70



UNLESS OTHERWISE SPECIFIED:
 DIMENSIONS ARE IN MILLIMETERS
 WEIGHT ARE IN KILOGRAMM

	NAME	SIGNATURE	DATE
DRAWN	M.Kalamees		8/4/2025



Product code: **OCT004**

DESCRIPTION: **Rubber trampoline**

WEIGHT:	SCALE: 1:100	A 4
		SHEET 5 OF 9

Post A, B
L=350

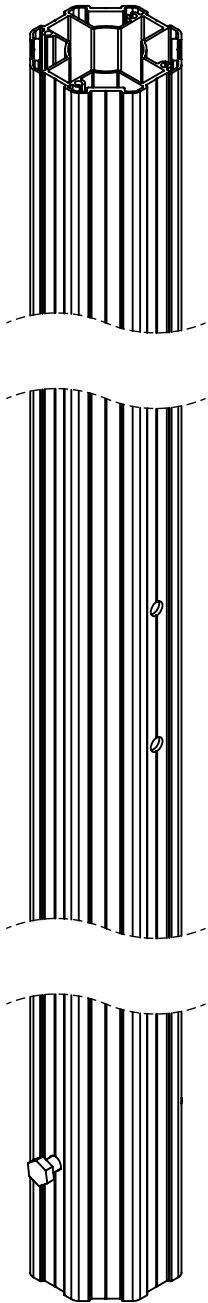
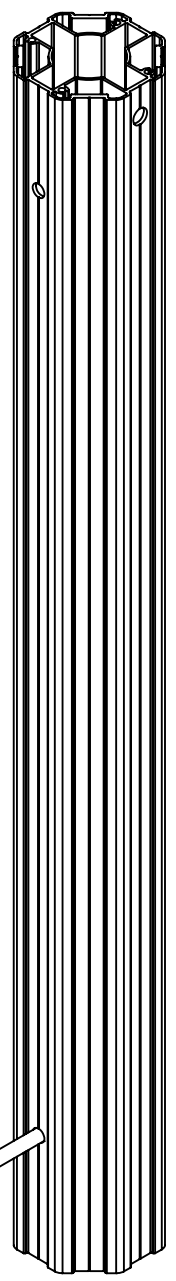
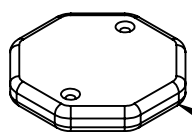
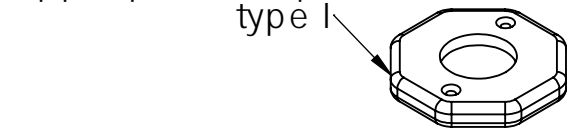
Post C
L=1800

wood screw 6x40

wood screw 6x40

upper plastic cap,
type I

upper plastic cap,
type II



M10x120 DIN 931
NB! goes thru mounting pipe
Post A,B,E,F



M10 nut DIN 934

UNLESS OTHERWISE SPECIFIED:
DIMENSIONS ARE IN MILLIMETERS
WEIGHT ARE IN KILOGRAMM

Product code:
OCT004

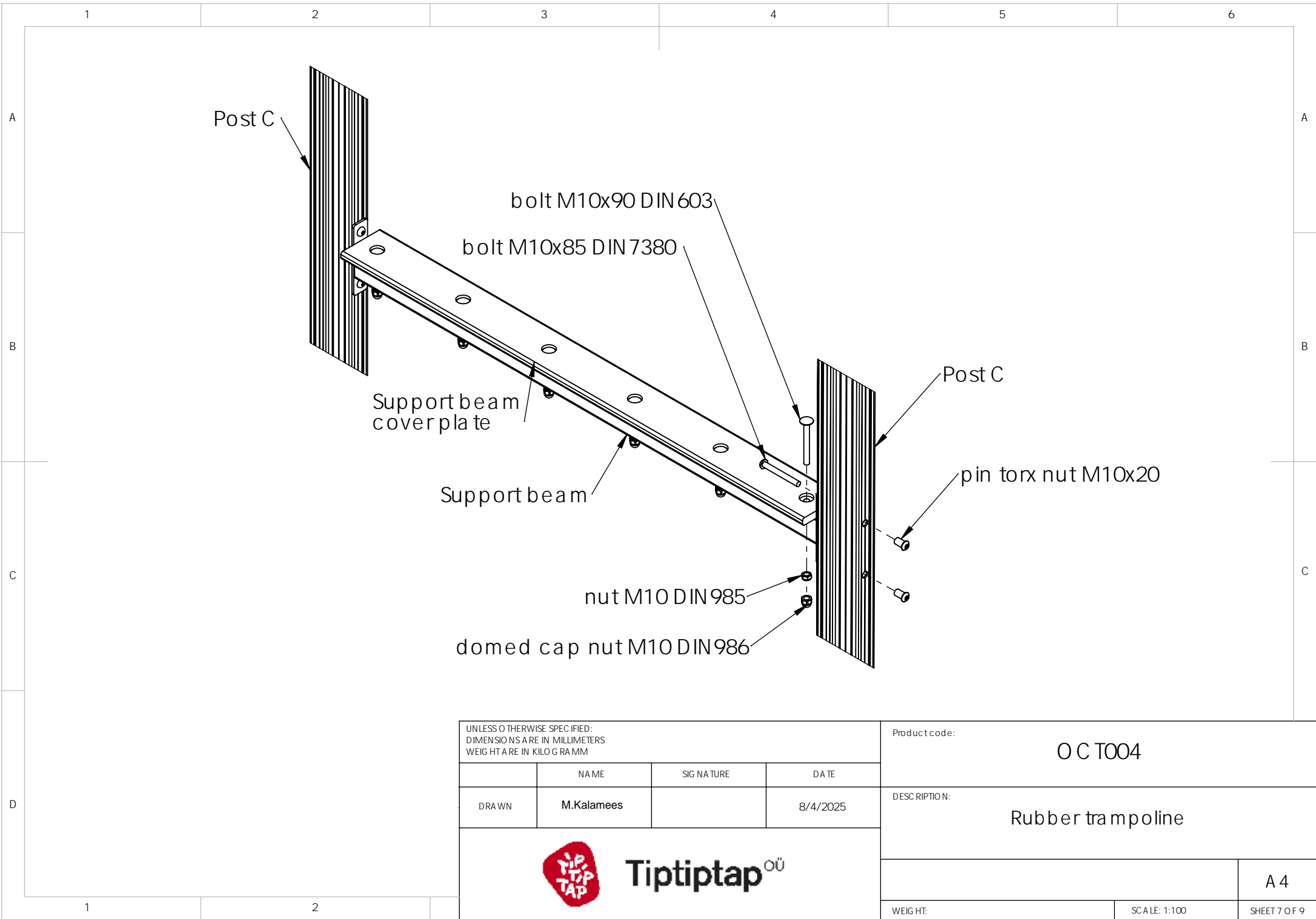
	NAME	SIGNATURE	DATE
DRAWN	M.Kalamees		8/4/2025

DESCRIPTION:
Rubber trampoline



Tiptiptap^{OO}

WEIGHT:	SCALE: 1:20	A 4
		SHEET 6 OF 9



UNLESS OTHERWISE SPECIFIED:
 DIMENSIONS ARE IN MILLIMETERS
 WEIGHT ARE IN KILOGRAMM

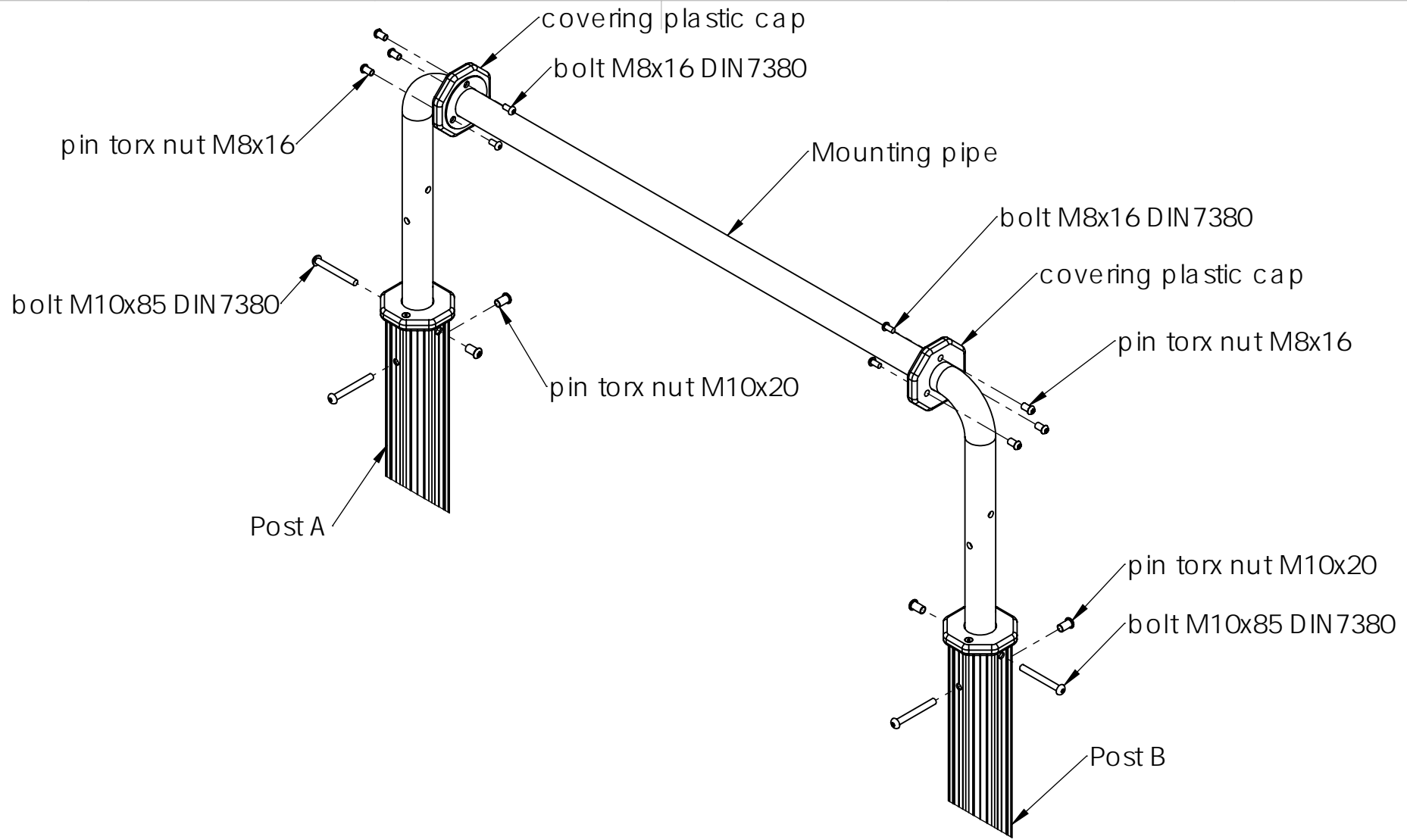
	NAME	SIGNATURE	DATE
DRAWN	M.Kalamees		8/4/2025



Product code: **OCT004**

DESCRIPTION: **Rubber trampoline**

WEIGHT:	SCALE: 1:100	A 4
		SHEET 7 OF 9



UNLESS OTHERWISE SPECIFIED:
 DIMENSIONS ARE IN MILLIMETERS
 WEIGHT ARE IN KILOGRAMM

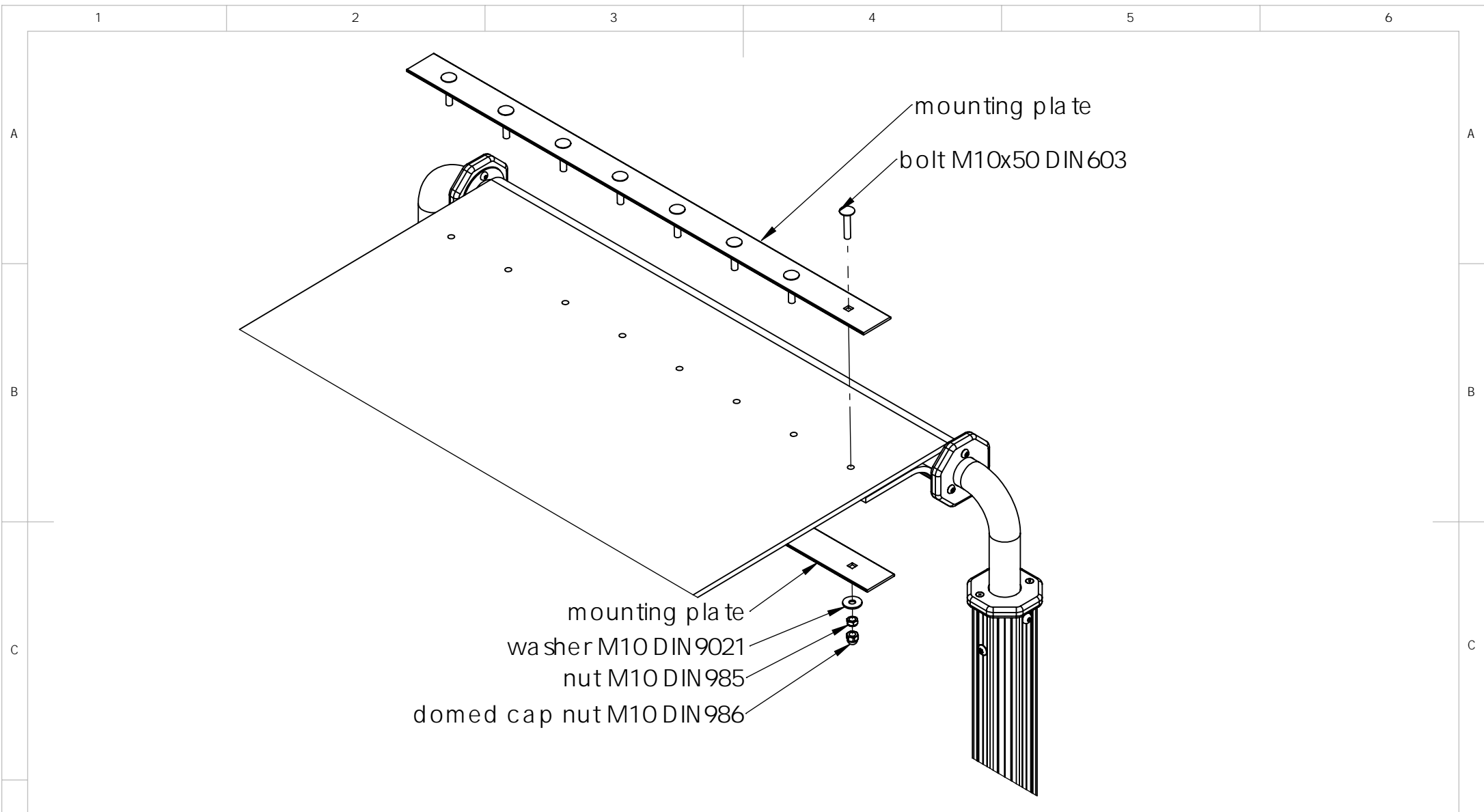
Product code: **OCT004**

	NAME	SIGNATURE	DATE
DRAWN	M.Kalamees		8/4/2025

DESCRIPTION: **Rubber trampoline**



		A 4
WEIGHT:	SCALE: 1:50	SHEET 8 OF 9



UNLESS OTHERWISE SPECIFIED:
 DIMENSIONS ARE IN MILLIMETERS
 WEIGHT ARE IN KILOGRAMM

	NAME	SIGNATURE	DATE
DRAWN	M.Kalamees		8/4/2025



Product code: **OCT004**

DESCRIPTION: **Rubber trampoline**

WEIGHT:	SCALE: 1:100	A 4
		SHEET 9 OF 9