

A

B

C

D

E

F



UNLESS OTHERWISE SPECIFIED:  
 DIMENSIONS ARE IN MILLIMETERS  
 WEIGHT ARE IN KILOGRAMM

PART NUMBER / DWG NO.:

VL58

	NAME	SIGNATURE	DATE	REVISION
DRAWN	E.Reispere		08.07.2025	
APPV'D				

DESCRIPTION:

Spring swing LADYBUG



Tiptiptap<sup>00</sup>

MATERIAL:

wood, metal, plastic

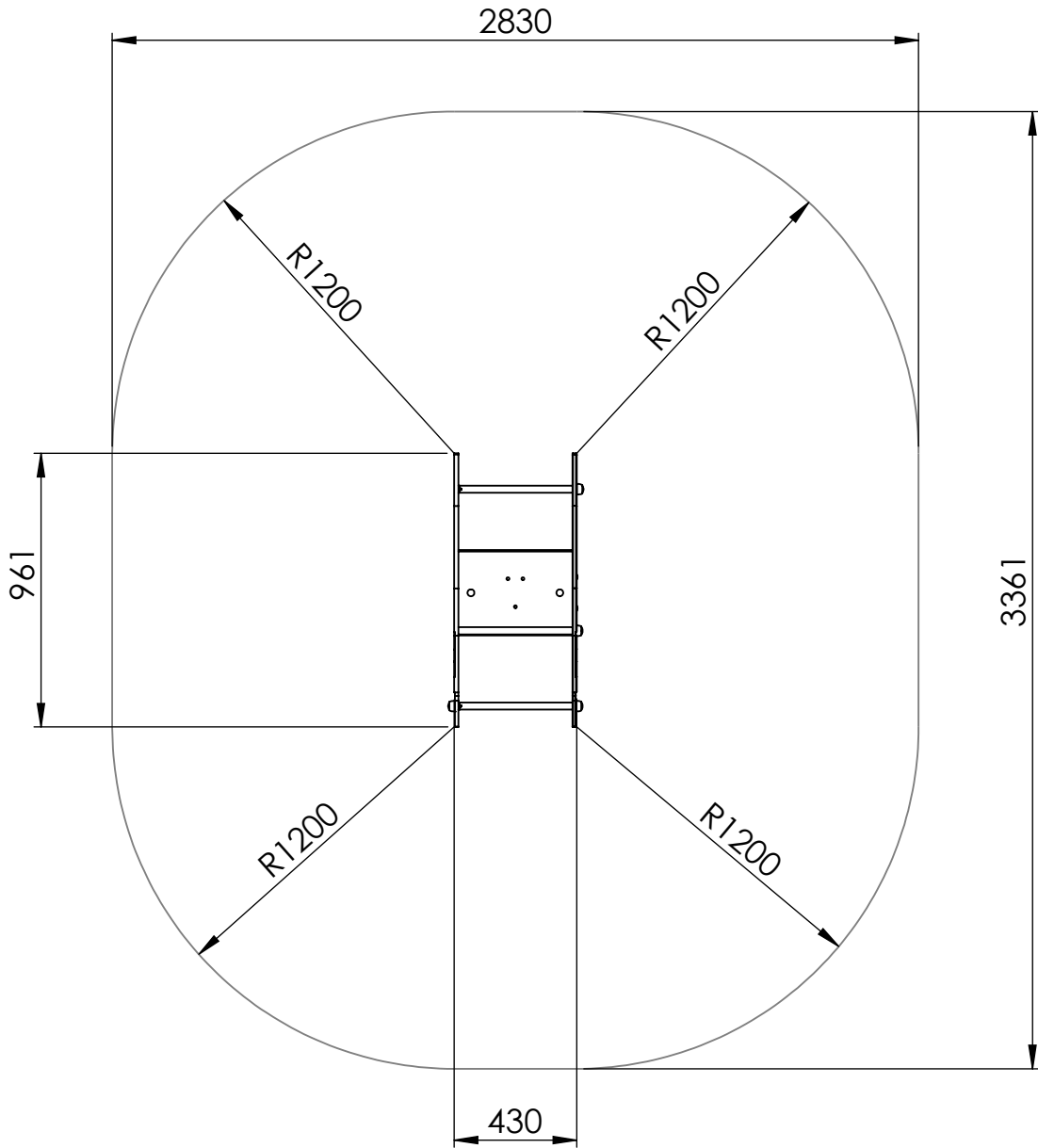
A4

WEIGHT:

SCALE: 1:20

SHEET 1 OF 8

# safety area



safety area: 8,27 m<sup>2</sup>

UNLESS OTHERWISE SPECIFIED:  
DIMENSIONS ARE IN MILLIMETERS  
WEIGHT ARE IN KILOGRAMM

PART NUMBER / DWG NO.:

VL58

	NAME	SIGNATURE	DATE	REVISION
DRAWN	E.Reispere		08.07.2025	
APPV'D				

DESCRIPTION:

Spring swing LADYBUG

MATERIAL:

wood, metal, plastic

A4

WEIGHT:

SCALE: 1:20

SHEET 2 OF 8



**Tiptiptap** OÜ

# foundation

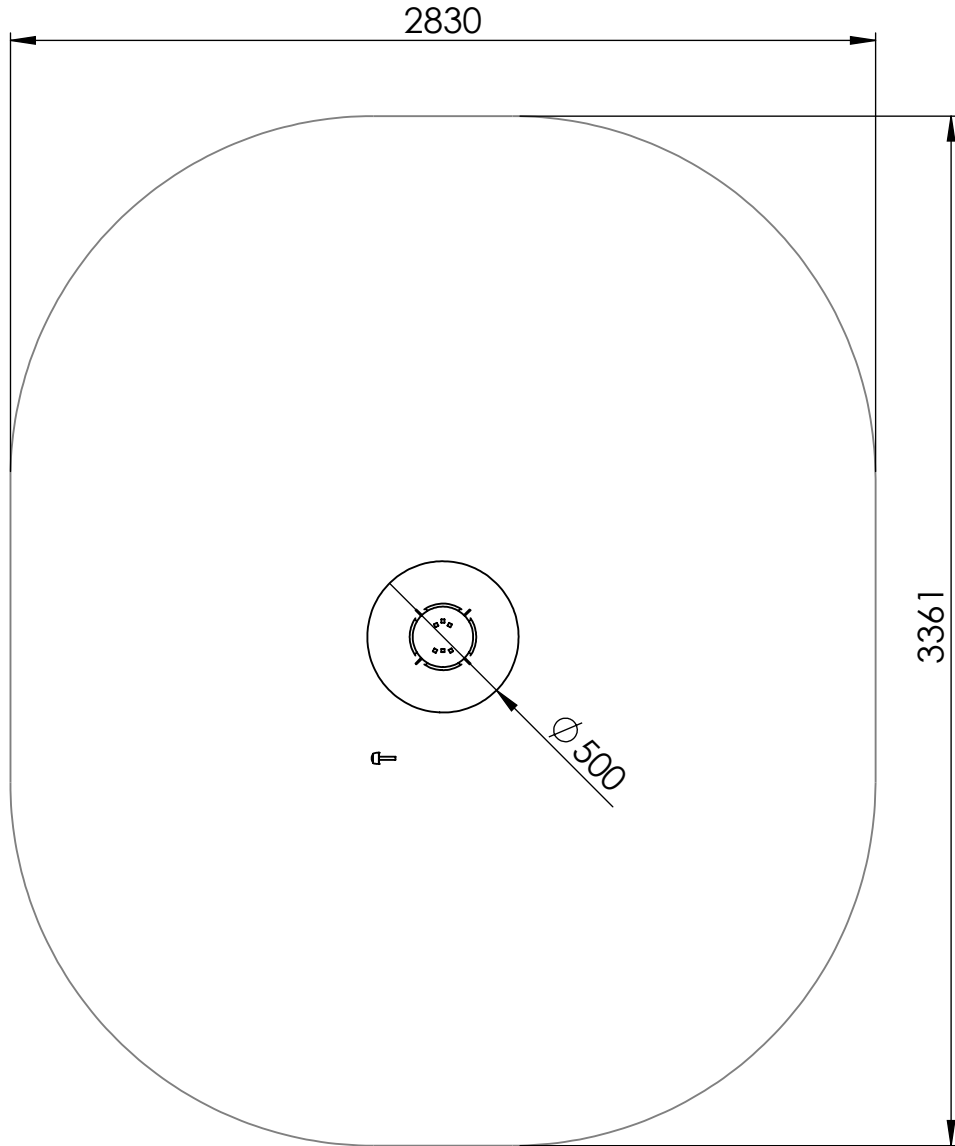
A

B

C

D

E



UNLESS OTHERWISE SPECIFIED:  
 DIMENSIONS ARE IN MILLIMETERS  
 WEIGHT ARE IN KILOGRAMM

PART NUMBER / DWG NO.: VL58

	NAME	SIGNATURE	DATE	REVISION
DRAWN	E.Reispere		08.07.2025	
APPV'D				

DESCRIPTION: Spring swing LADYBUG



MATERIAL: wood, metal, plastic A4

WEIGHT: SCALE: 1:20 SHEET 3 OF 8

# dimensions

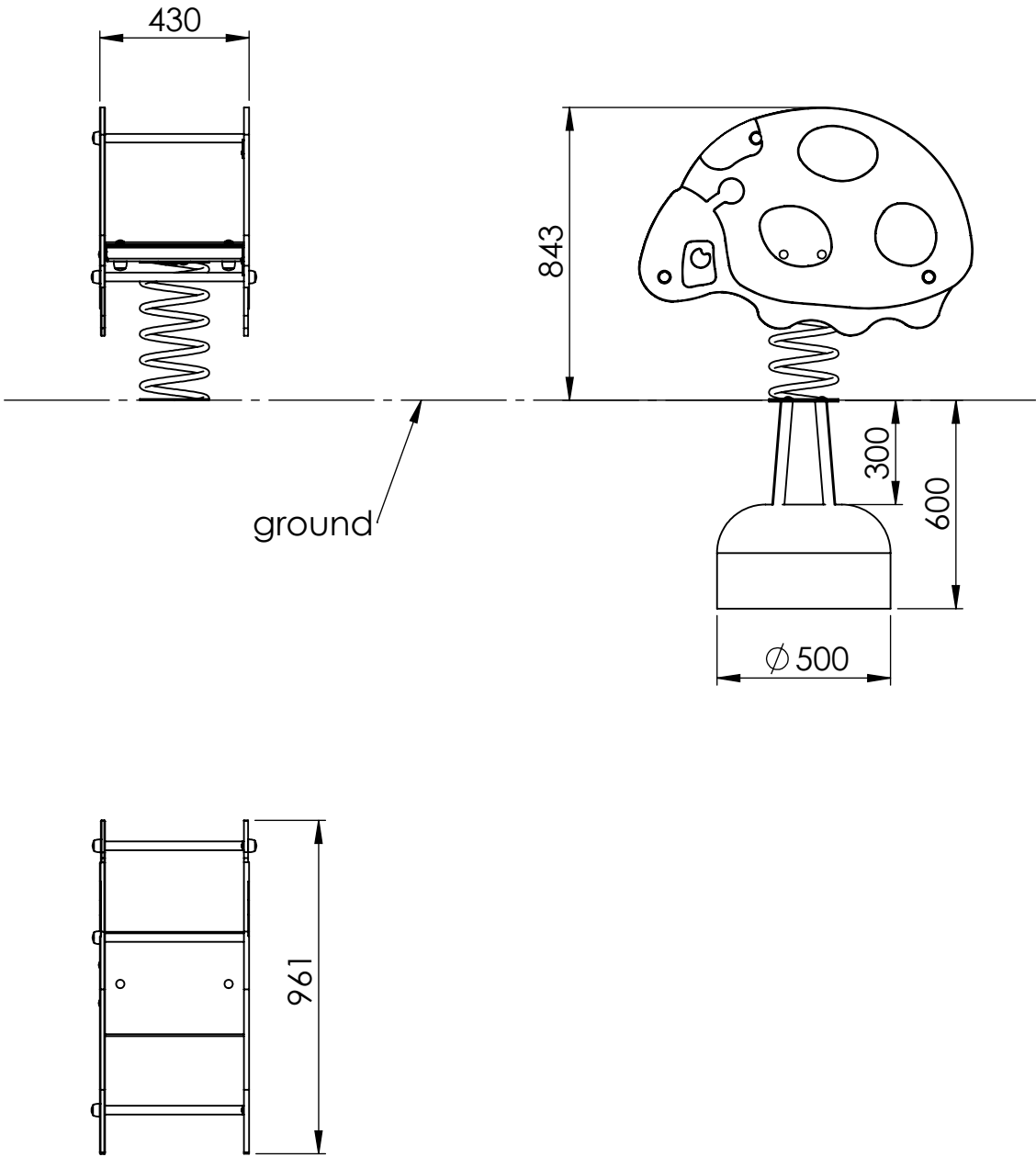
A

B

C

D

E



ground

UNLESS OTHERWISE SPECIFIED:  
DIMENSIONS ARE IN MILLIMETERS  
WEIGHT ARE IN KILOGRAMM

PART NUMBER / DWG NO.:  
**VL58**

	NAME	SIGNATURE	DATE	REVISION
DRAWN	E.Reispere		08.07.2025	
APPV'D				

DESCRIPTION:  
**Spring swing LADYBUG**



MATERIAL:	wood, metal, plastic	A4
-----------	----------------------	----

WEIGHT:	SCALE: 1:20	SHEET 4 OF 8
---------	-------------	--------------

A

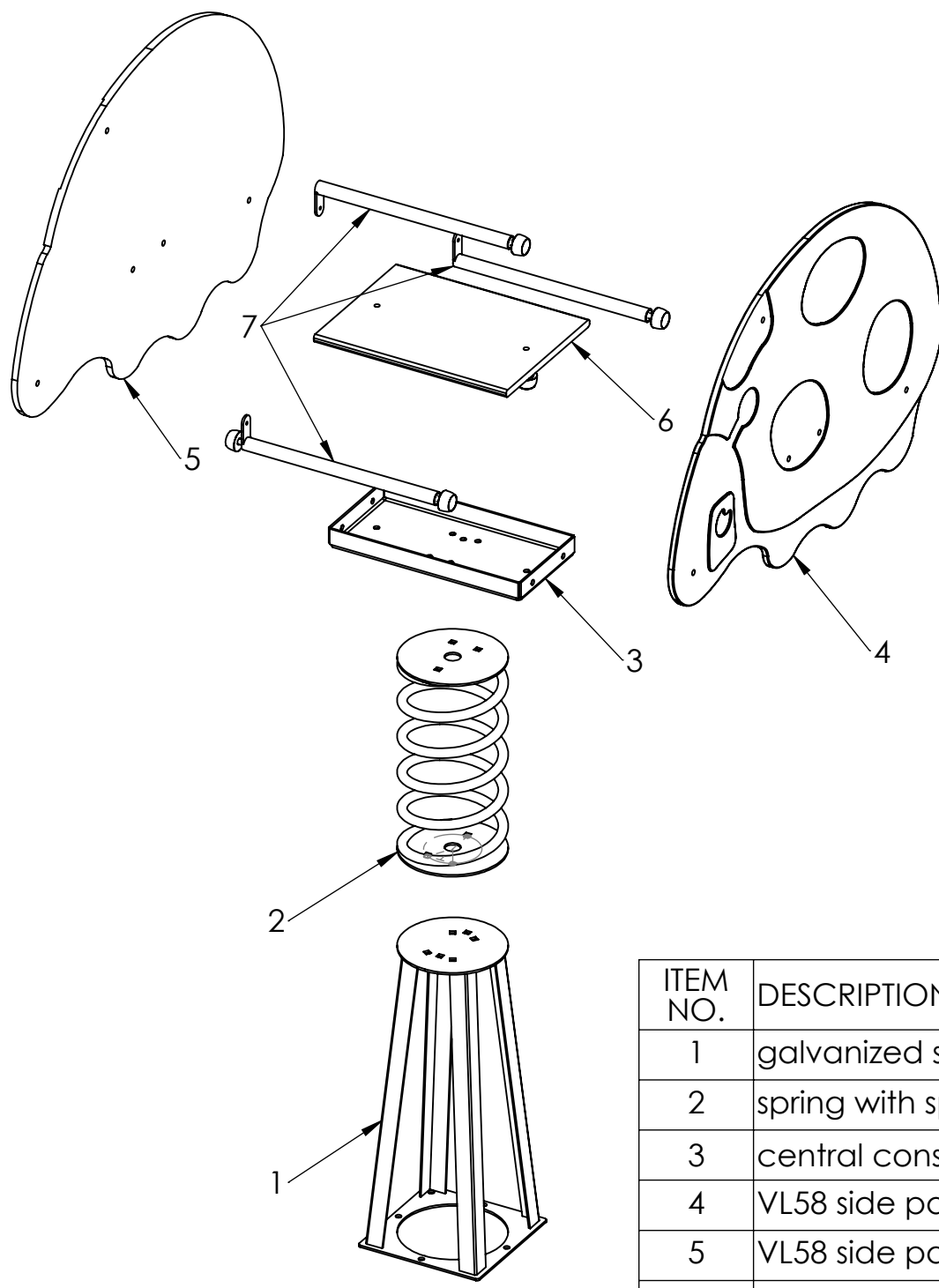
B

C

D

E

F



ITEM NO.	DESCRIPTION
1	galvanized steel
2	spring with spring disk
3	central console
4	VL58 side panel 1
5	VL58 side panel 2
6	seating panel
7	tube d.25x400

UNLESS OTHERWISE SPECIFIED:  
 DIMENSIONS ARE IN MILLIMETERS  
 WEIGHT ARE IN KILOGRAMM

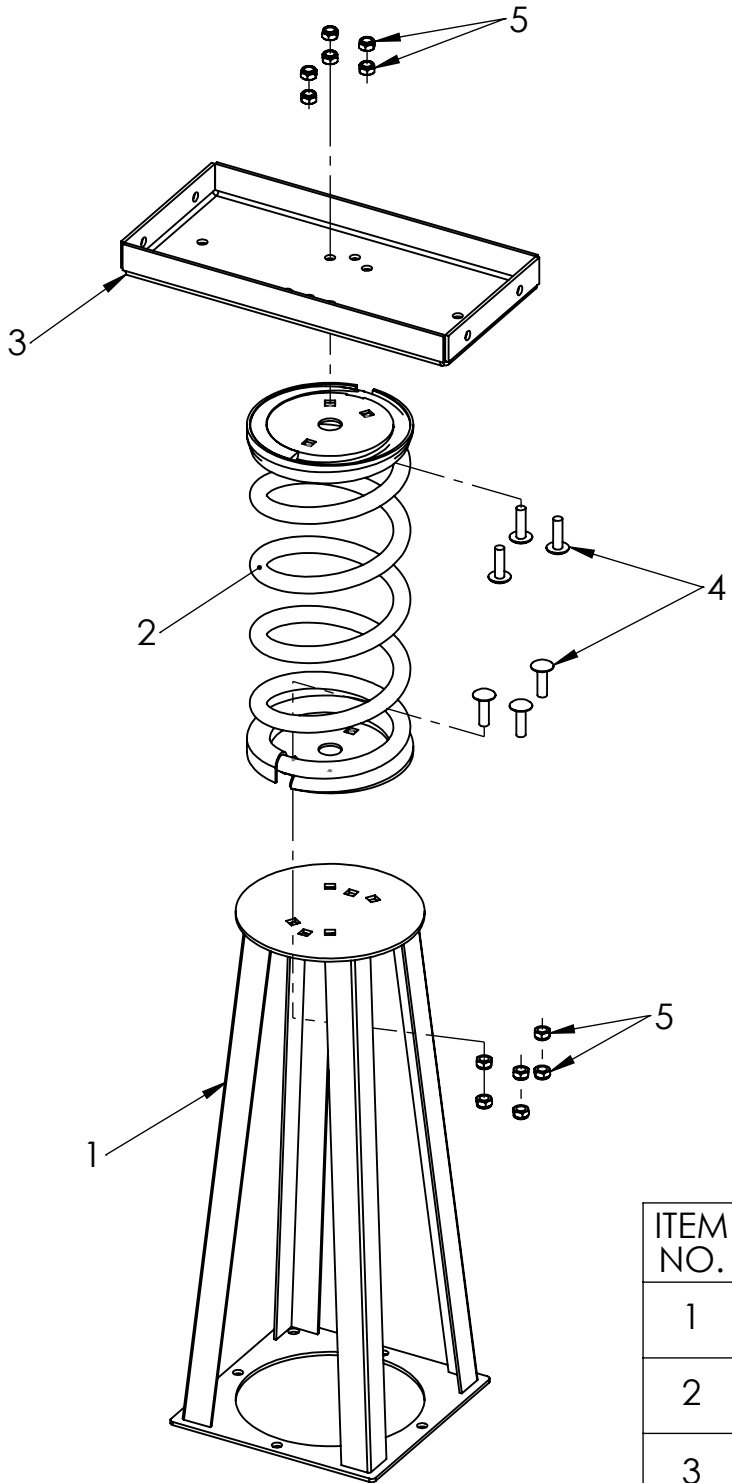
PART NUMBER / DWG NO.:  
**VL58**

	NAME	SIGNATURE	DATE	REVISION
DRAWN	E.Reispere		08.07.2025	
APPV'D				

DESCRIPTION:  
**Spring swing LADYBUG**



MATERIAL:	wood, metal, plastic	A4
WEIGHT:		SCALE: 1:20
		SHEET 5 OF 8



ITEM NO.	DESCRIPTION
1	ground fixing
2	springswing spring
3	central console
4	bolt DIN603 M10x35
5	nut DIN985 M10

UNLESS OTHERWISE SPECIFIED:  
DIMENSIONS ARE IN MILLIMETERS  
WEIGHT ARE IN KILOGRAMM

PART NUMBER / DWG NO.:

VL58

	NAME	SIGNATURE	DATE	REVISION
DRAWN	E.Reispere		08.07.2025	
APPV'D				

DESCRIPTION:

Spring swing LADYBUG



Tiptiptap OÜ

MATERIAL:

wood, metal, plastic

A4

WEIGHT:

SCALE: 1:20

SHEET 6 OF 8

A

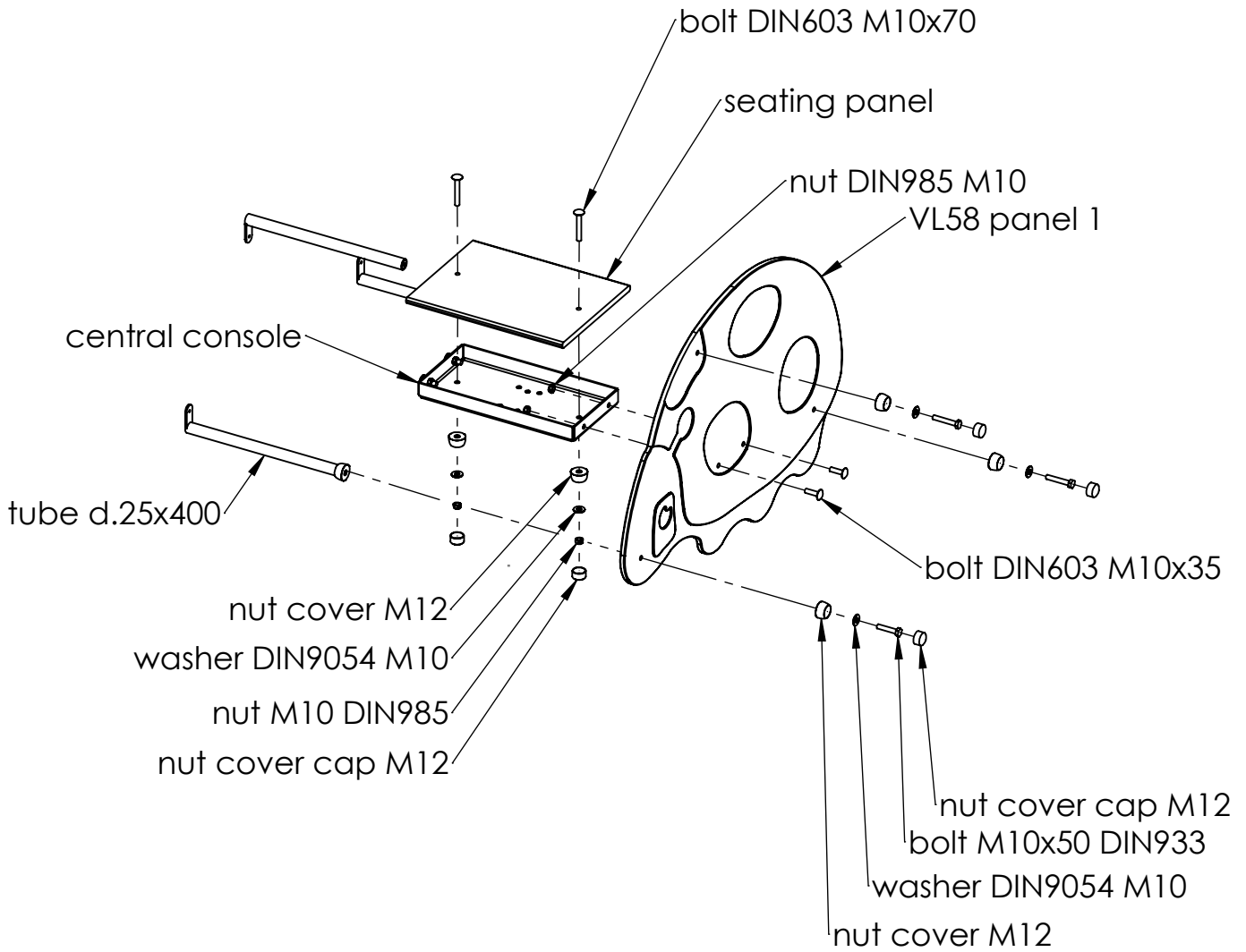
B

C

D

E

F



UNLESS OTHERWISE SPECIFIED:  
 DIMENSIONS ARE IN MILLIMETERS  
 WEIGHT ARE IN KILOGRAMM

PART NUMBER / DWG NO.:

VL58

	NAME	SIGNATURE	DATE	REVISION
DRAWN	E.Reispere		08.07.2025	
APPV'D				

DESCRIPTION:

Spring swing LADYBUG



Tiptiptap <sup>OO</sup>

MATERIAL:

wood, metal, plastic

A4

WEIGHT:

SCALE: 1:20

SHEET 7 OF 8

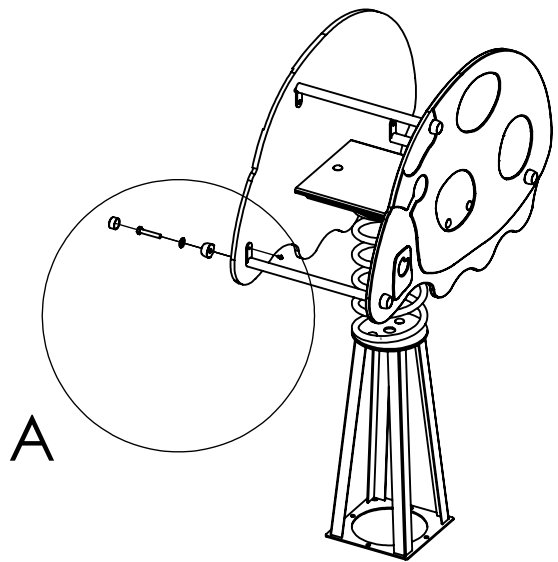
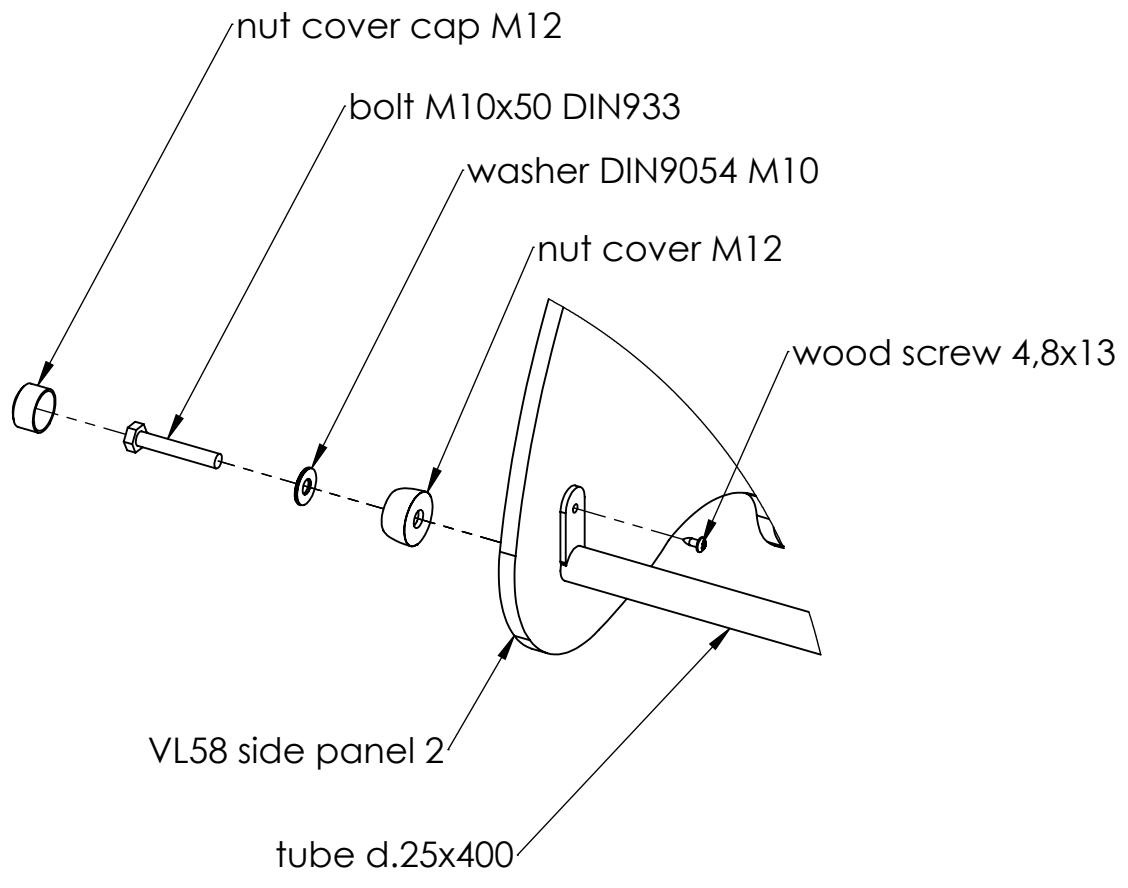
A

B

C

D

E



UNLESS OTHERWISE SPECIFIED:  
DIMENSIONS ARE IN MILLIMETERS  
WEIGHT ARE IN KILOGRAMM

	NAME	SIGNATURE	DATE	REVISION
DRAWN	E.Reispere		08.07.2025	
APPV'D				

PART NUMBER / DWG NO.:	VL58
DESCRIPTION:	Spring swing LADYBUG



MATERIAL:	wood, metal, plastic	A4
WEIGHT:		SCALE: 1:20
		SHEET 8 OF 8