



Tiptap^{oü}

INCLUSIVE LABYRINTH

USER GUIDE

V.1.0.2021



2. DEVICE STRUCTURE

Materials:

Construction: steel profiles with epoxy primer, painted and powder coated

Upper surface: 3mm steel sheet with epoxy primer, painted and powder coated

Foundation requirements: concrete class min . B-15

Dimensions and parameters:

External dimensions (W x L x H) : 828 x 794 x 994 mm

Height from the ground: 994 mm

Range of swing: 7 degrees

Weight (without foundations) : 40 kg

Outer diameter of the column cross-section: 101.6 mm

Other dimensions of the device:

Free fall height : none

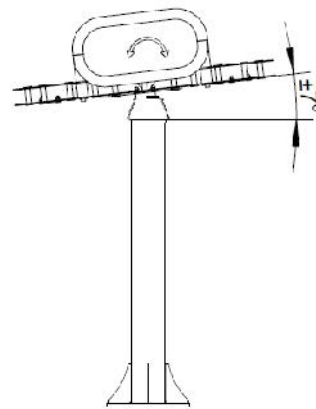
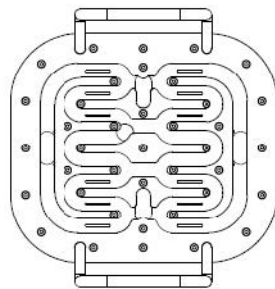
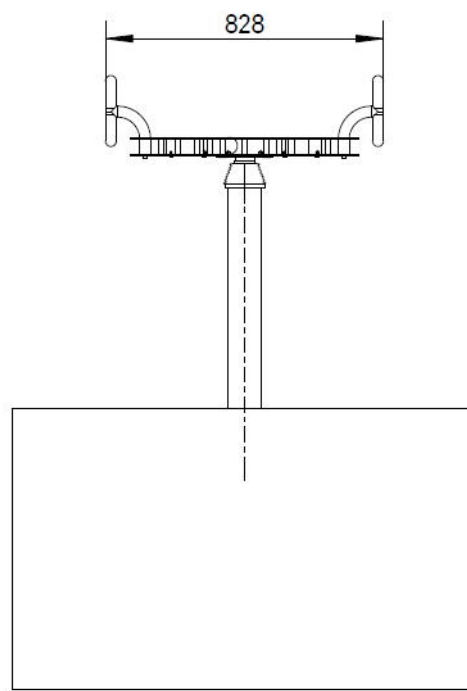
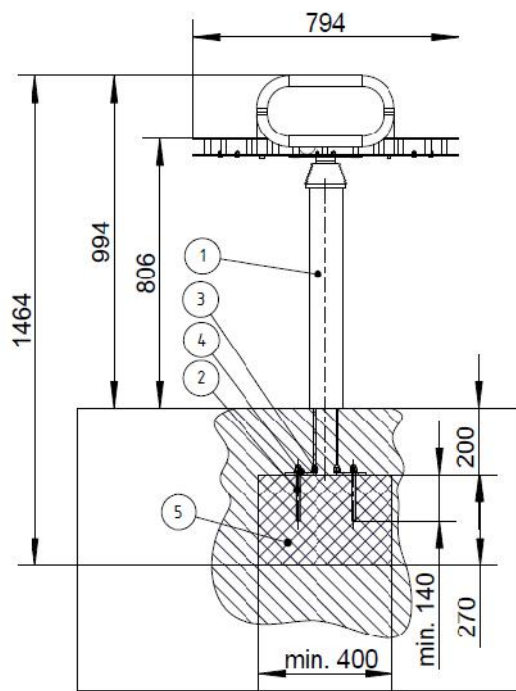
Functional area: 1500 mm from the outer edge of the device.

Substructure depth: 470 mm

Safety zone area dimensions: 11.8 m ²

The dimension of the longest element: Labyrinth - 1194 mm

Weight of the heaviest element: Labyrinth - 40 kg



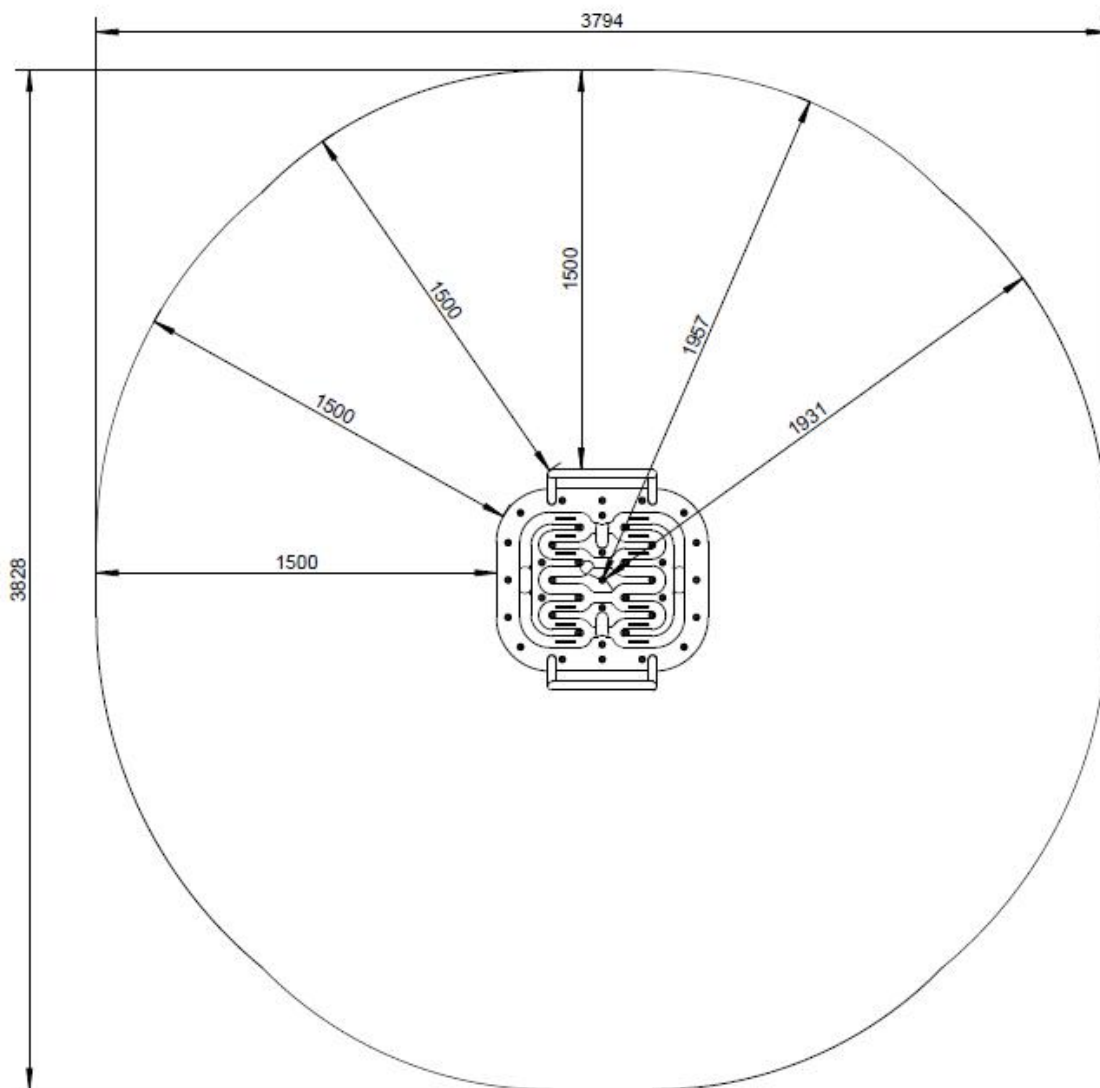


Fig. Top view of the device with its safety zone

Inclusive Labyrinth must be permanently embedded in the ground. In order to embed the device in the ground specially prepared by the manufacturer concrete blocks can be used. Dimensions of concrete block 400x20x270 mm and a weight of about 30 kg each. Foundations should be placed at a depth of min. 20 cm below the ground level.

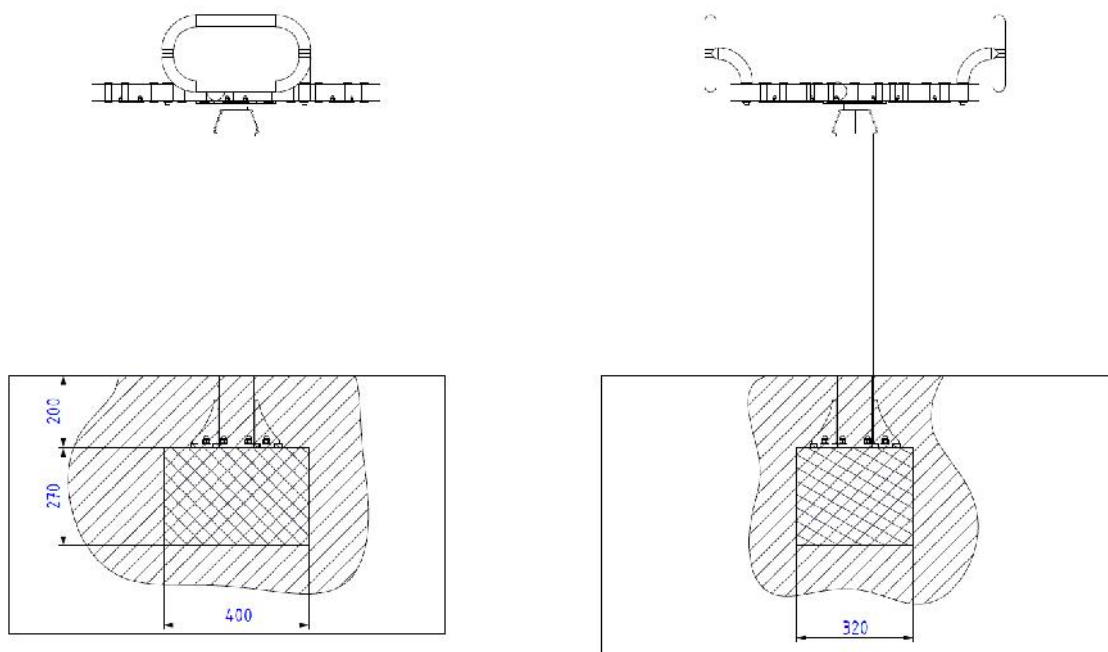


Fig. Foundation dimensions

