

UNLESS OTHERWISE SPECIFIED:
 DIMENSIONS ARE IN MILLIMETERS
 WEIGHT ARE IN KILOGRAMM

PART NUMBER / DWG NO.:
MFS100-1.1

	NAME	SIGNATURE	DATE	REVISION
DRAWN	I.Agar		07.03.2023	
APPV'D				

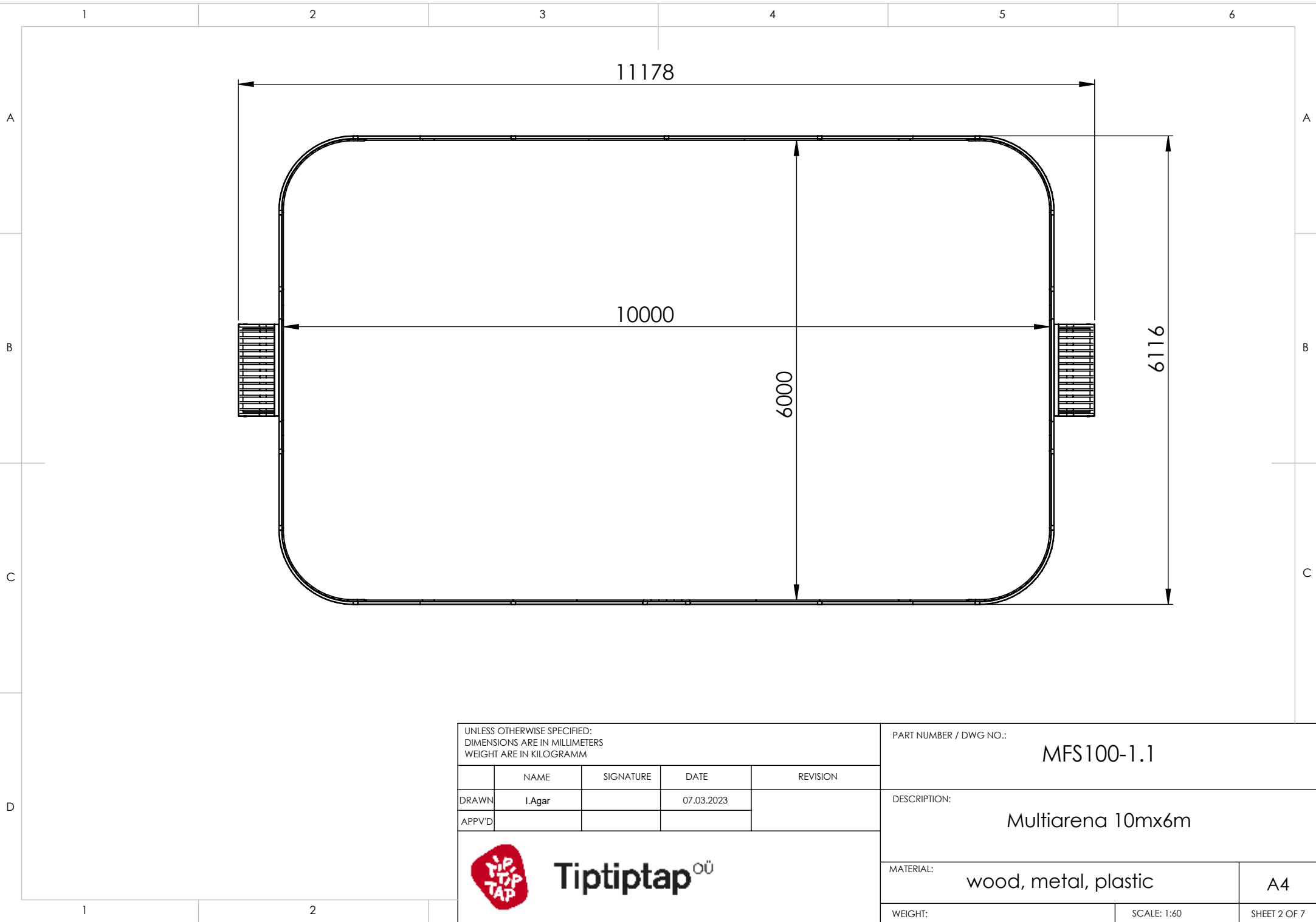
DESCRIPTION:
Multiarena 10mx6m



MATERIAL: wood, metal, plastic

A4

WEIGHT: SCALE: 1:50 SHEET 1 OF 7



UNLESS OTHERWISE SPECIFIED:
 DIMENSIONS ARE IN MILLIMETERS
 WEIGHT ARE IN KILOGRAMM

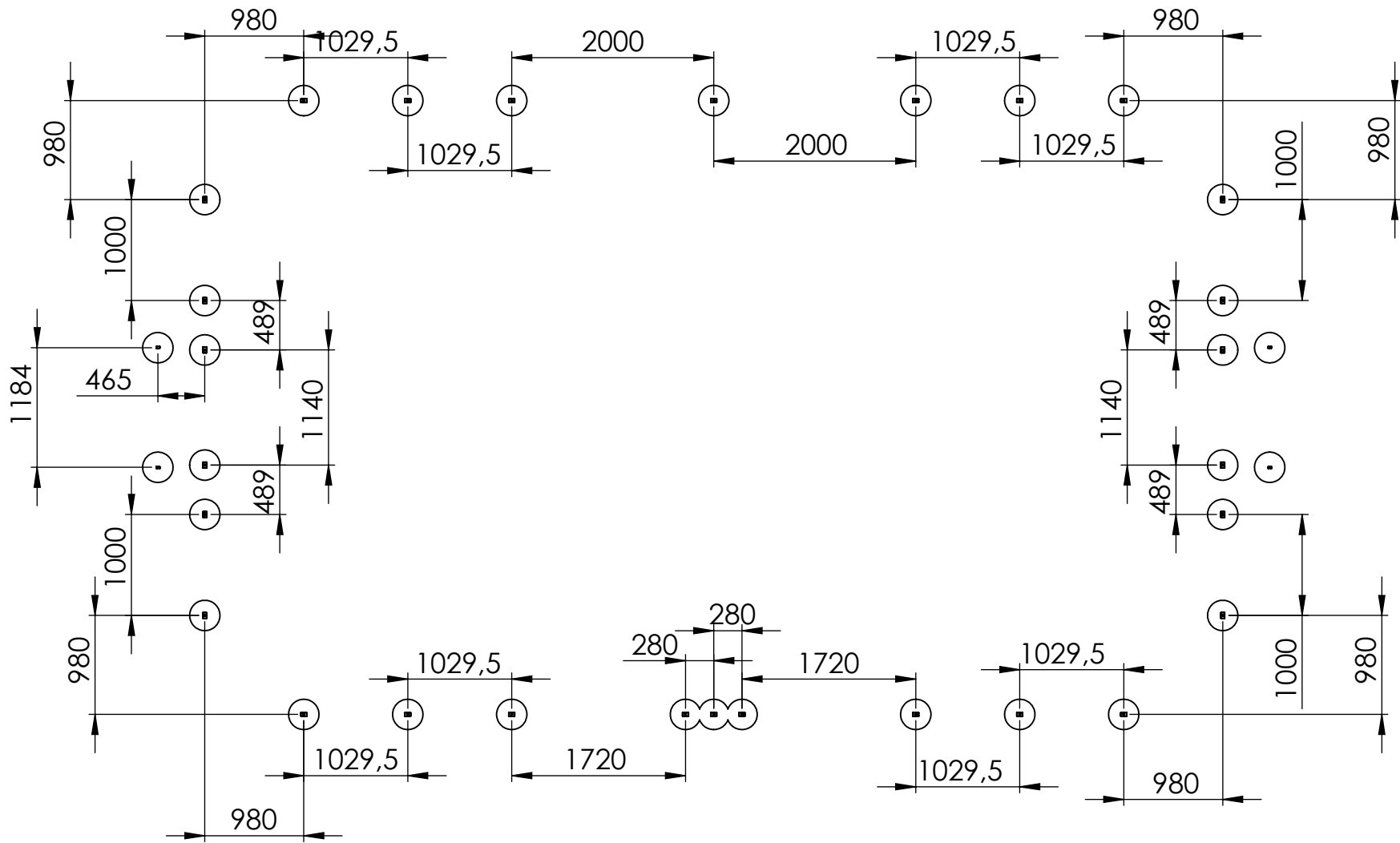
PART NUMBER / DWG NO.:
MFS100-1.1

	NAME	SIGNATURE	DATE	REVISION
DRAWN	I.Agar		07.03.2023	
APPV'D				

DESCRIPTION:
Multiarena 10mx6m



MATERIAL:	wood, metal, plastic	A4
WEIGHT:		SCALE: 1:60
		SHEET 2 OF 7



UNLESS OTHERWISE SPECIFIED:
 DIMENSIONS ARE IN MILLIMETERS
 WEIGHT ARE IN KILOGRAMM

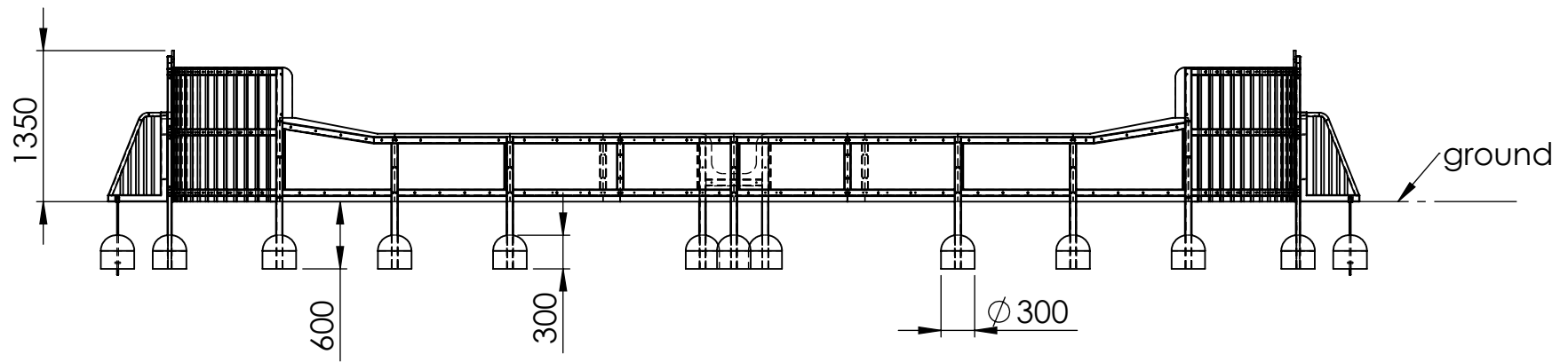
PART NUMBER / DWG NO.:
MFS100-1.1

	NAME	SIGNATURE	DATE	REVISION
DRAWN	I.Agar		07.03.2023	
APPV'D				

DESCRIPTION:
Multiarena 10mx6m



MATERIAL:	wood, metal, plastic	A4
WEIGHT:		SCALE: 1:60
		SHEET 3 OF 7



UNLESS OTHERWISE SPECIFIED:
DIMENSIONS ARE IN MILLIMETERS
WEIGHT ARE IN KILOGRAMM

PART NUMBER / DWG NO.:
MFS100-1.1

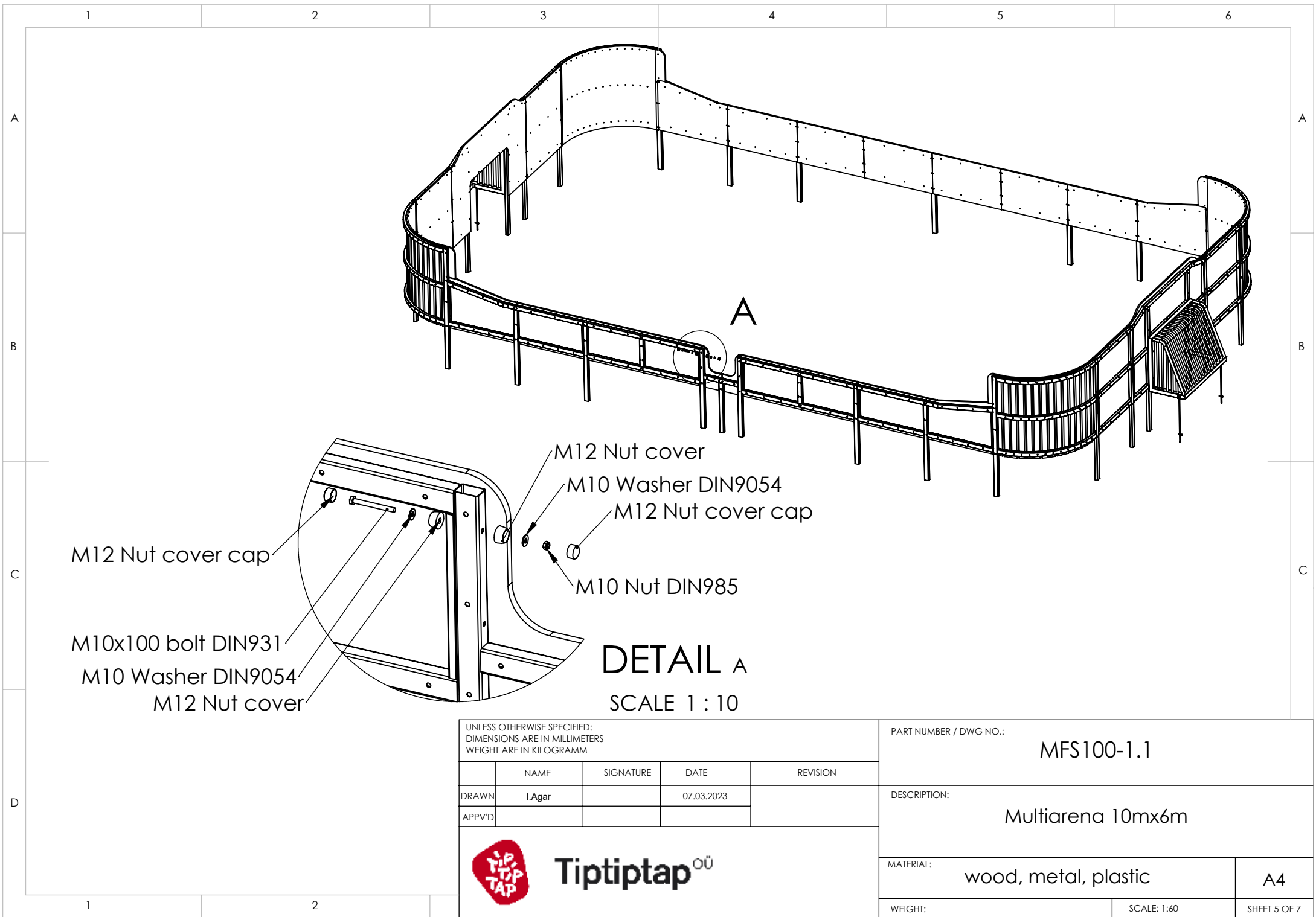
	NAME	SIGNATURE	DATE	REVISION
DRAWN	I.Agar		07.03.2023	
APPV'D				

DESCRIPTION:
Multiarena 10mx6m



MATERIAL: **wood, metal, plastic** A4

WEIGHT: SCALE: 1:60 SHEET 4 OF 7



DETAIL A
SCALE 1 : 10

UNLESS OTHERWISE SPECIFIED:
DIMENSIONS ARE IN MILLIMETERS
WEIGHT ARE IN KILOGRAMM

	NAME	SIGNATURE	DATE	REVISION
DRAWN	I.Agar		07.03.2023	
APPV'D				



PART NUMBER / DWG NO.:
MFS100-1.1

DESCRIPTION:
Multiarena 10mx6m

MATERIAL: **wood, metal, plastic** A4

WEIGHT: SCALE: 1:60 SHEET 5 OF 7

1 2 3 4 5 6

A

A

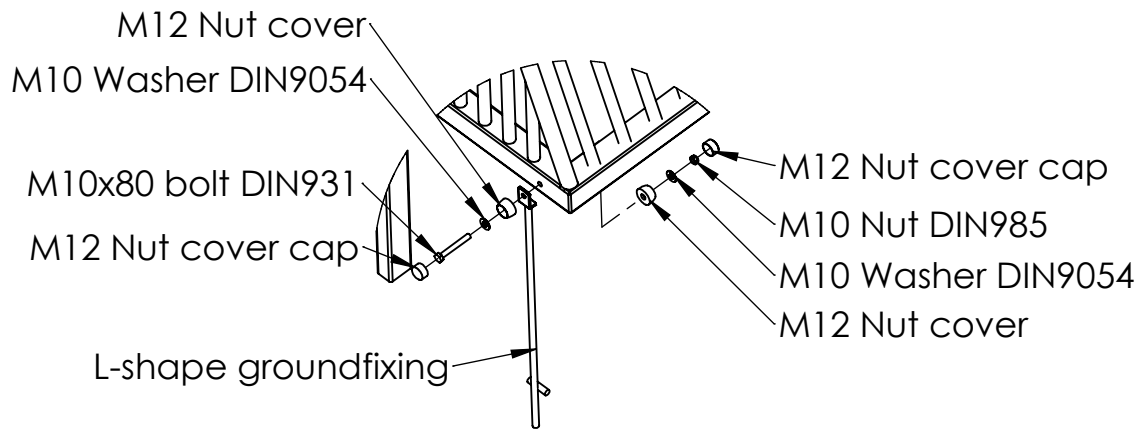
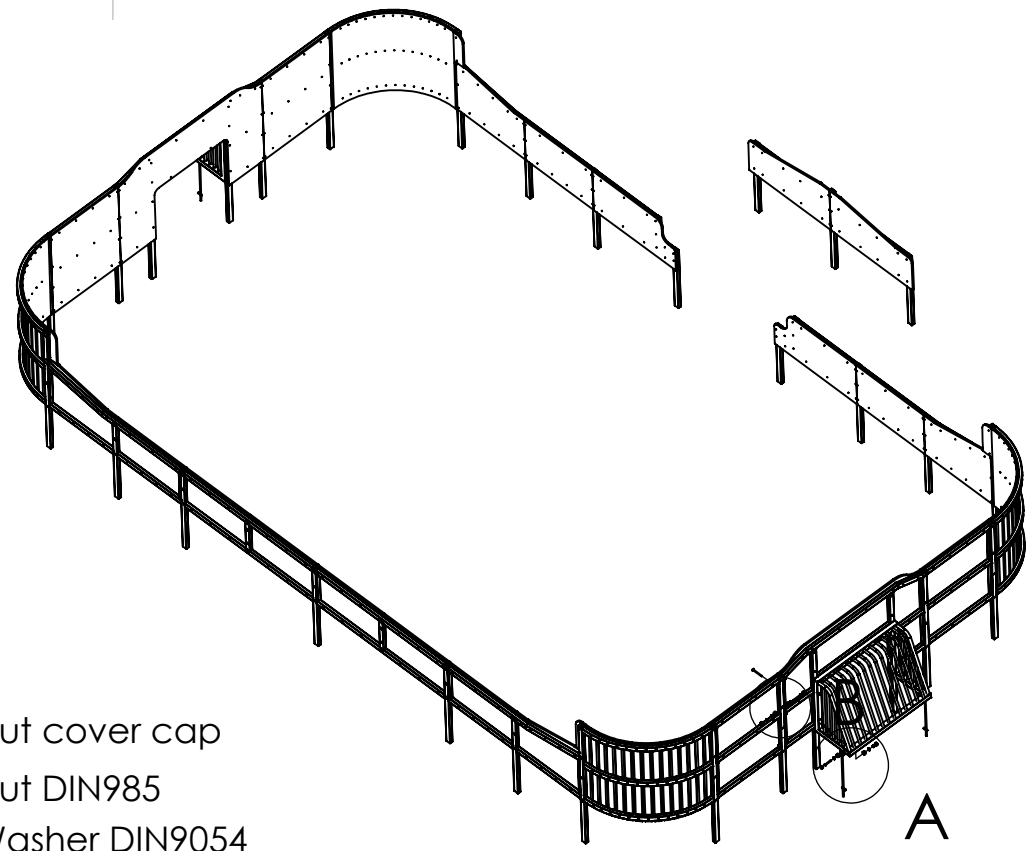
B

B


C

C

D

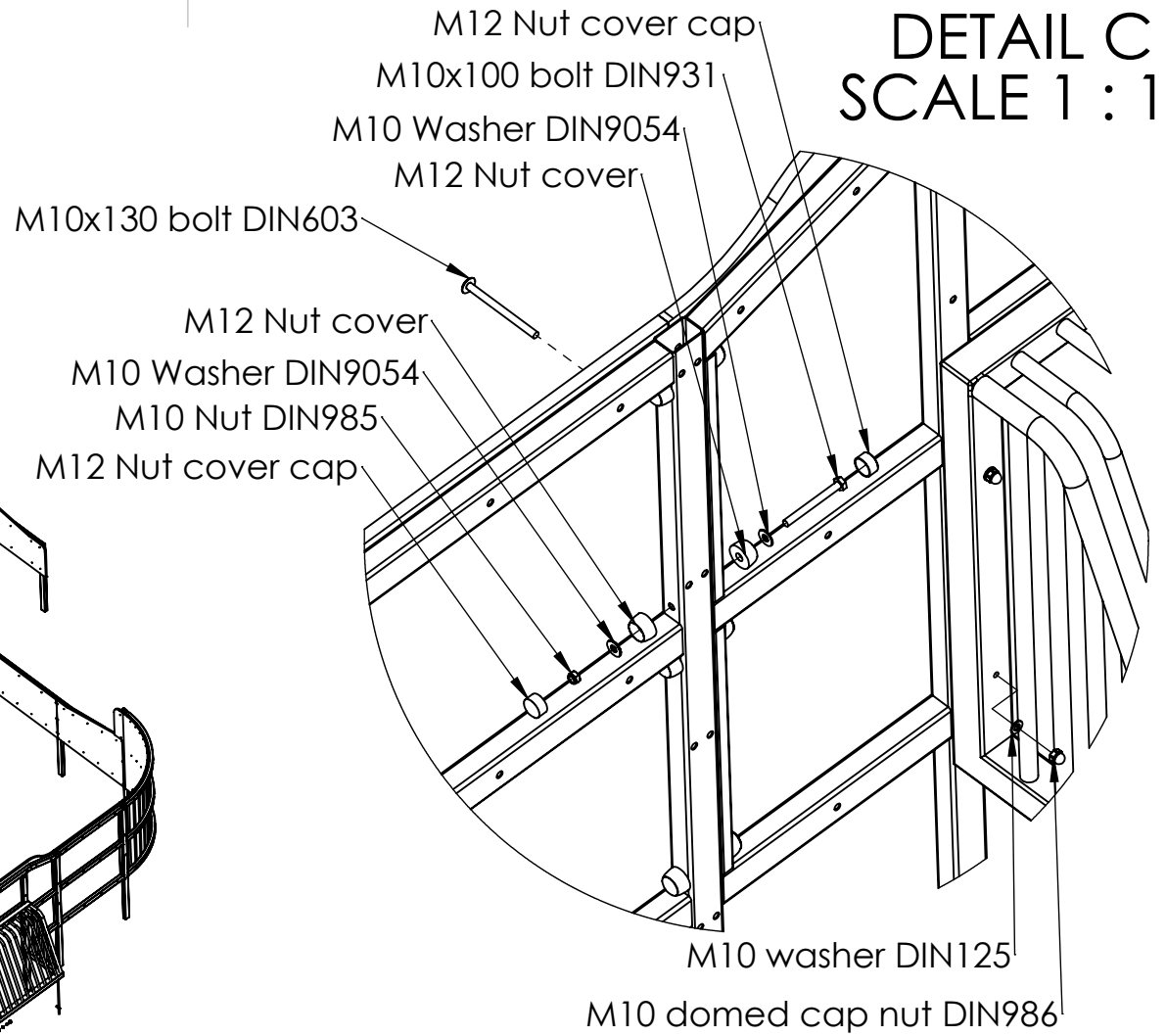
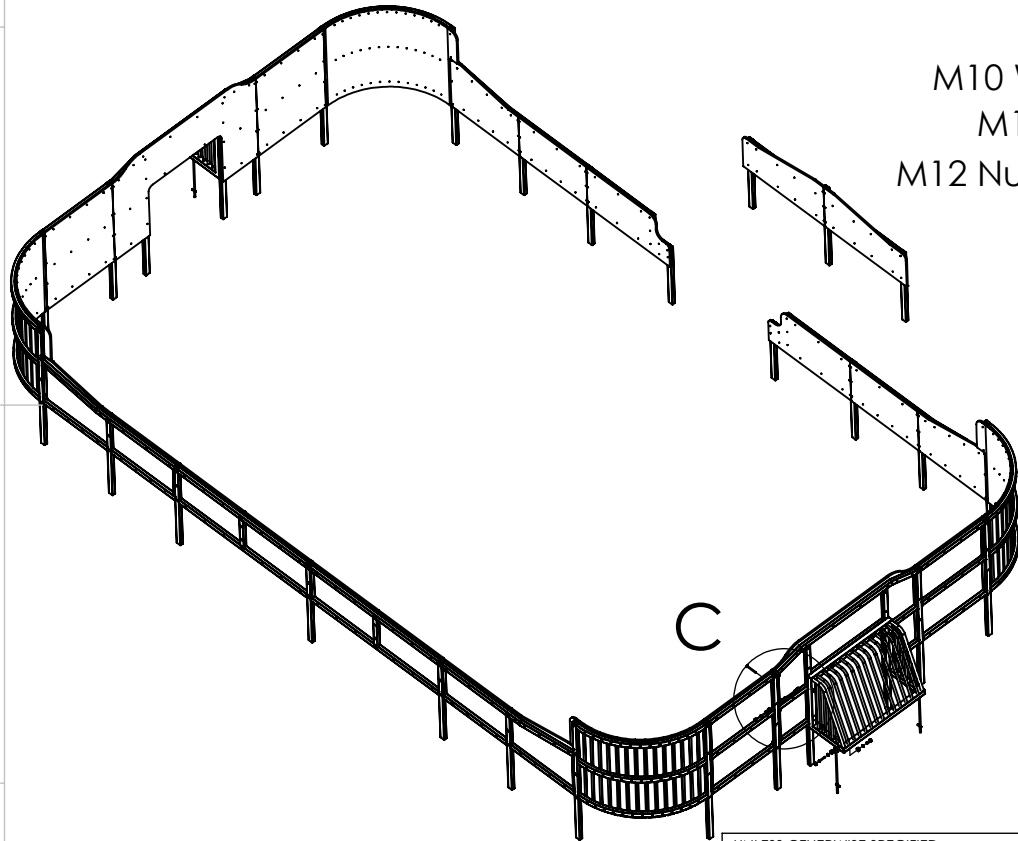


DETAIL A
SCALE 1 : 15

UNLESS OTHERWISE SPECIFIED: DIMENSIONS ARE IN MILLIMETERS WEIGHT ARE IN KILOGRAMM					PART NUMBER / DWG NO.: MFS100-1.1	
	NAME	SIGNATURE	DATE	REVISION	DESCRIPTION: Multiarena 10mx6m	
DRAWN	I.Agar		07.03.2023		MATERIAL: wood, metal, plastic	
APPV'D					A4	
 Tiptap ^{OO}					WEIGHT:	
					SCALE: 1:80	
					SHEET 6 OF 7	

1 2

DETAIL C SCALE 1 : 10



UNLESS OTHERWISE SPECIFIED:
DIMENSIONS ARE IN MILLIMETERS
WEIGHT ARE IN KILOGRAMM

PART NUMBER / DWG NO.:

MFS100-1.1

	NAME	SIGNATURE	DATE	REVISION
DRAWN	I.Agar		07.03.2023	
APPV'D				

DESCRIPTION:

Multiaarena 10mx6m

MATERIAL:

wood, metal, plastic

A4

WEIGHT:

SCALE: 1:80

SHEET 7 OF 7



Tiptiptap OÜ