

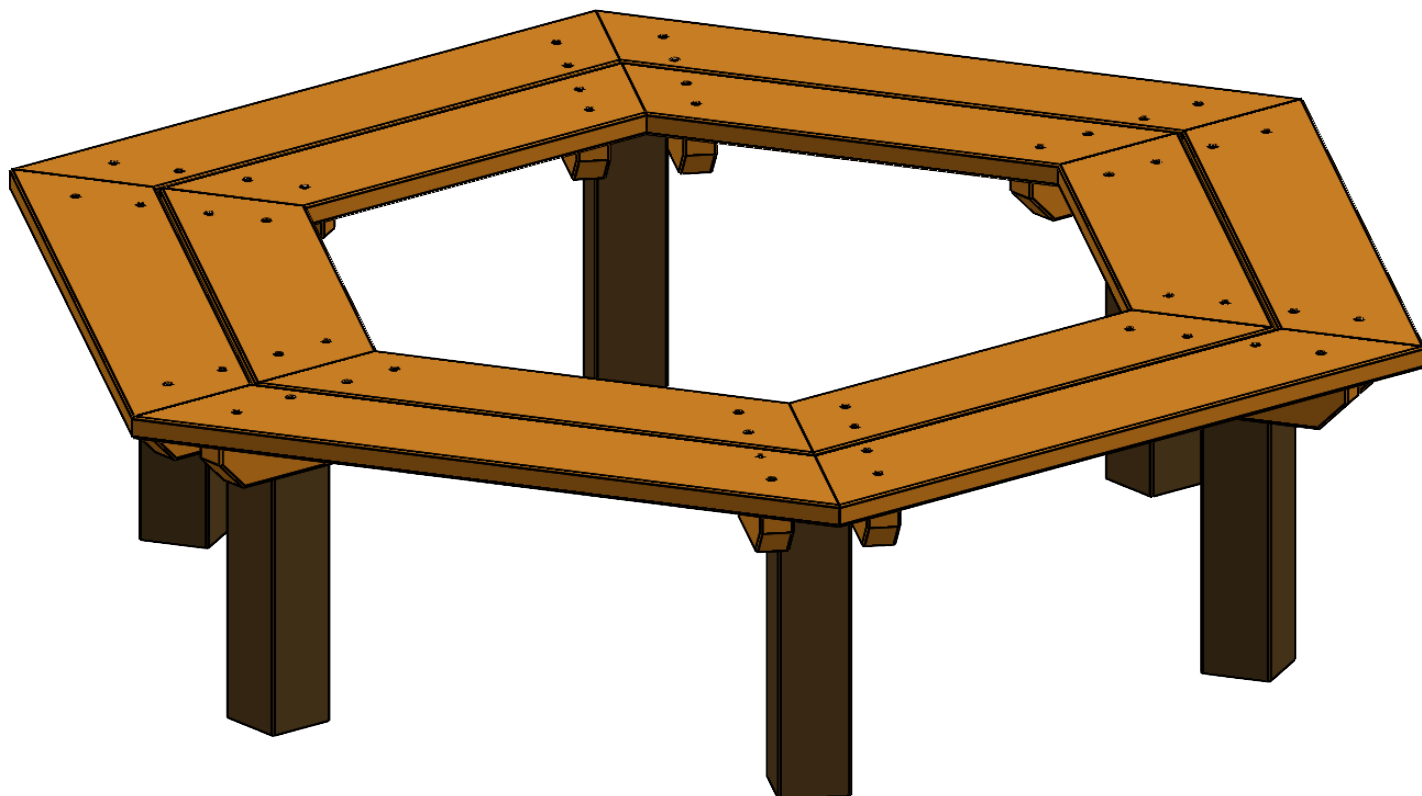
A

B

C

D

E



UNLESS OTHERWISE SPECIFIED:  
 DIMENSIONS ARE IN MILLIMETERS  
 WEIGHT ARE IN KILOGRAMM

Product code:

IPP15

NAME

SIGNATURE

DATE

DRAWN

I.Agar

12.09.2024

DESCRIPTION:

Circular bench



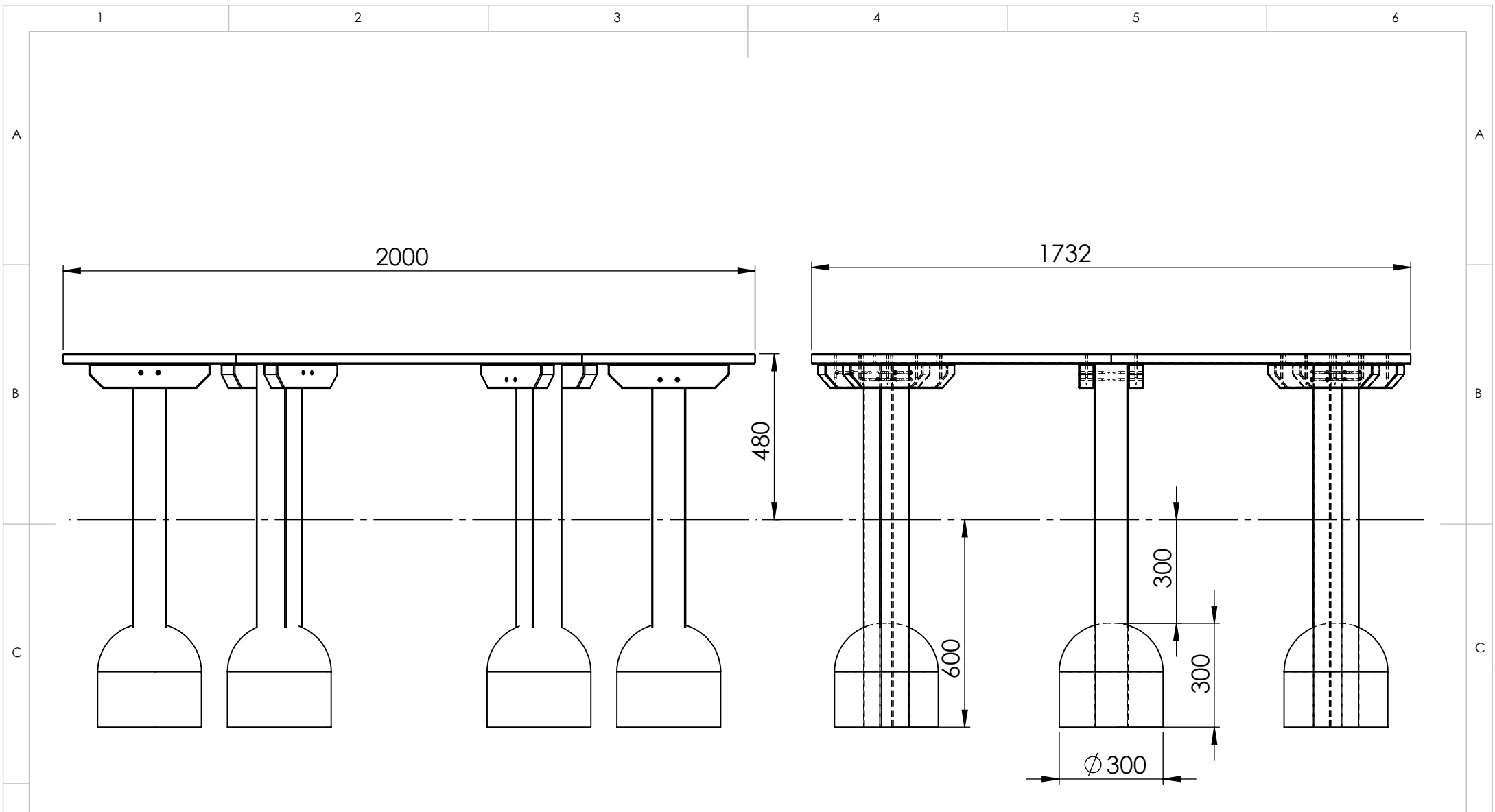
Tiptiptap<sup>ÖÜ</sup>

A4

WEIGHT:

SCALE: 1:10

SHEET 1 OF 4



UNLESS OTHERWISE SPECIFIED:  
 DIMENSIONS ARE IN MILLIMETERS  
 WEIGHT ARE IN KILOGRAMM

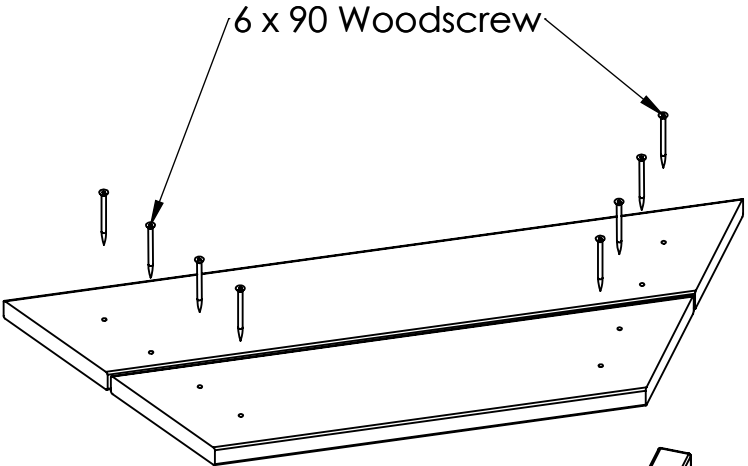
	NAME	SIGNATURE	DATE
DRAWN	I.Agar		12.09.2024



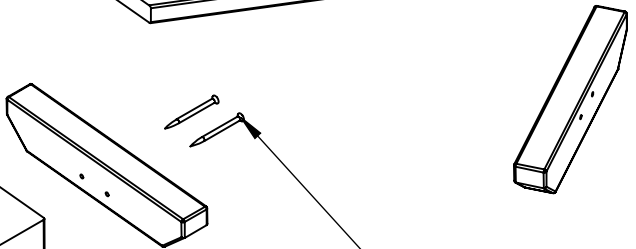
Product code: **IPP15**

DESCRIPTION: **Circular bench**

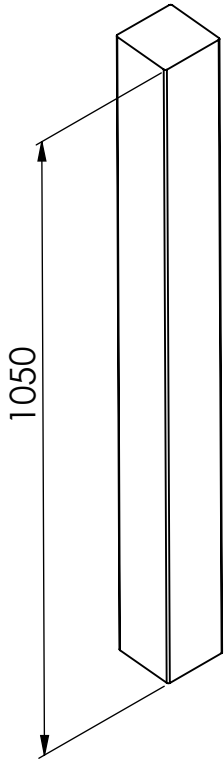
WEIGHT:	SCALE: 1:15	A4
		SHEET 2 OF 4



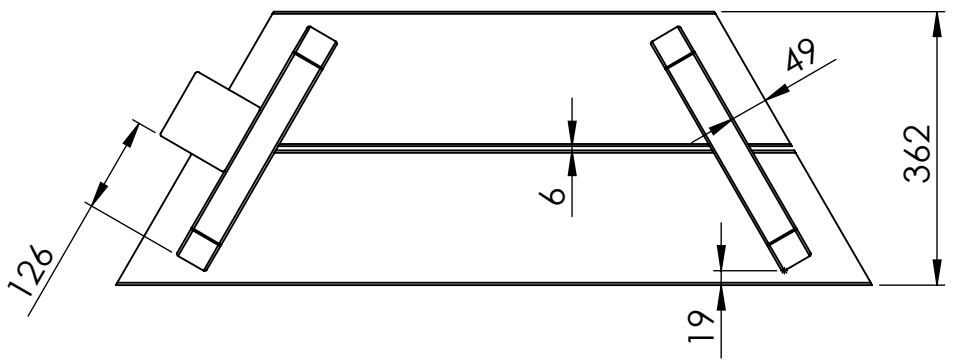
6 x 90 Woodscrew



6 x 90 Woodscrew



1050



126

6

19

49

362

UNLESS OTHERWISE SPECIFIED:  
DIMENSIONS ARE IN MILLIMETERS  
WEIGHT ARE IN KILOGRAMM

Product code:

IPP15

NAME

SIGNATURE

DATE

DRAWN

I.Agar

12.09.2024

DESCRIPTION:

Circular bench



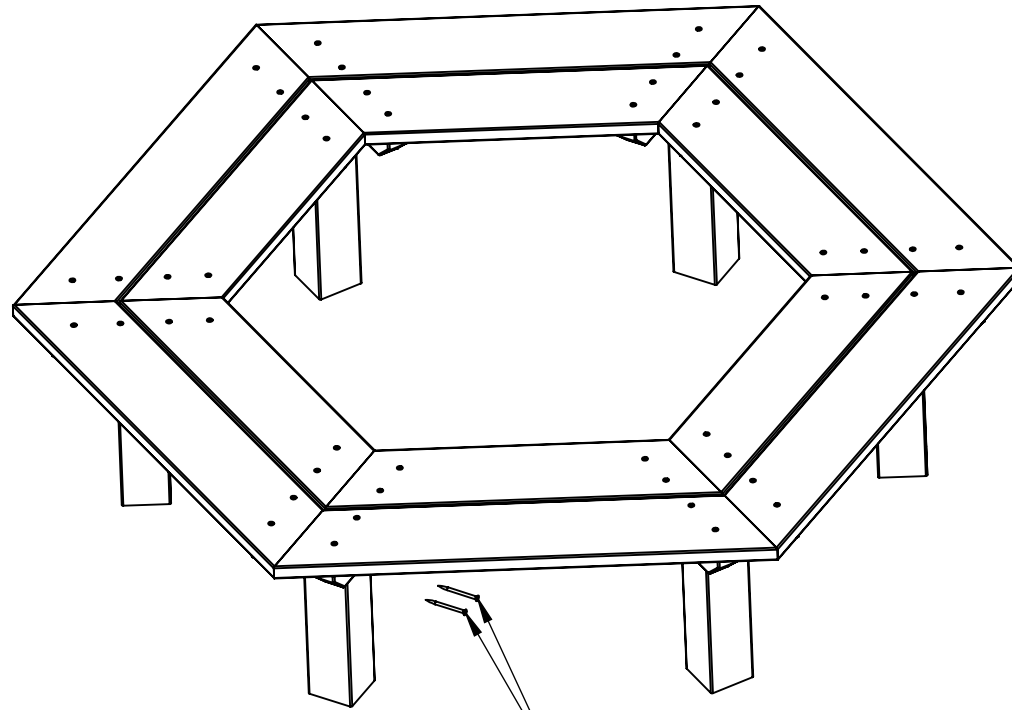
Tiptiptap<sup>ÖÜ</sup>

A4

WEIGHT:

SCALE: 1:10

SHEET 3 OF 4



6 x 90 Woodscrew

UNLESS OTHERWISE SPECIFIED:  
DIMENSIONS ARE IN MILLIMETERS  
WEIGHT ARE IN KILOGRAMM

	NAME	SIGNATURE	DATE
DRAWN	I.Agar		12.09.2024



**Tiptiptap**<sup>OO</sup>

Product code:

IPP15

DESCRIPTION:

Circular bench

A4

WEIGHT:

SCALE: 1:15

SHEET 4 OF 4