

A

B

C

D

E



UNLESS OTHERWISE SPECIFIED:
 DIMENSIONS ARE IN MILLIMETERS
 WEIGHT ARE IN KILOGRAMM

Product code:

LKPV50

NAME

SIGNATURE

DATE

DRAWN

I.Agar

15.11.2024

DESCRIPTION:

Sunshade 3x3m rectangular



Tiptiptap^{OO}

A4

WEIGHT:

SCALE: 1:30

SHEET 1 OF 6

Safety area

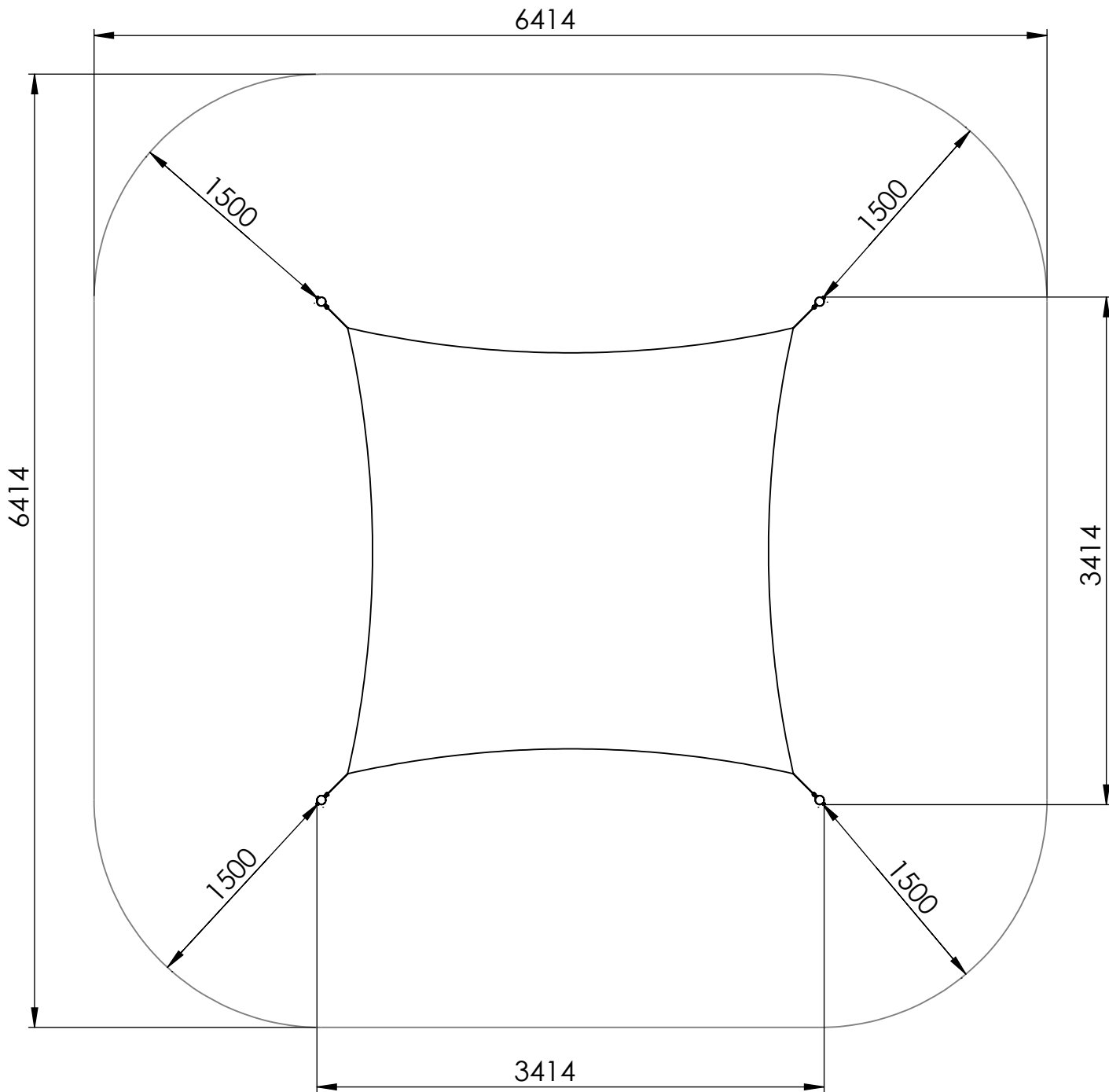
A

B

C

D

E



UNLESS OTHERWISE SPECIFIED:
 DIMENSIONS ARE IN MILLIMETERS
 WEIGHT ARE IN KILOGRAMM

Product code:

LKPV50

NAME

SIGNATURE

DATE

DRAWN

I.Agar

15.11.2024

DESCRIPTION:

Sunshade 3x3m rectangular



Tiptiptap ^{ÖÜ}

A4

WEIGHT:

SCALE: 1:40

SHEET 2 OF 6

Foundation

A

B

C

D

E

6414

3354

Ø 300

6414

3354

Depth of foundation: 600mm

UNLESS OTHERWISE SPECIFIED:
DIMENSIONS ARE IN MILLIMETERS
WEIGHT ARE IN KILOGRAMM

Product code:

LKPV50

NAME

SIGNATURE

DATE

DRAWN

I.Agar

15.11.2024

DESCRIPTION:

Sunshade 3x3m rectangular



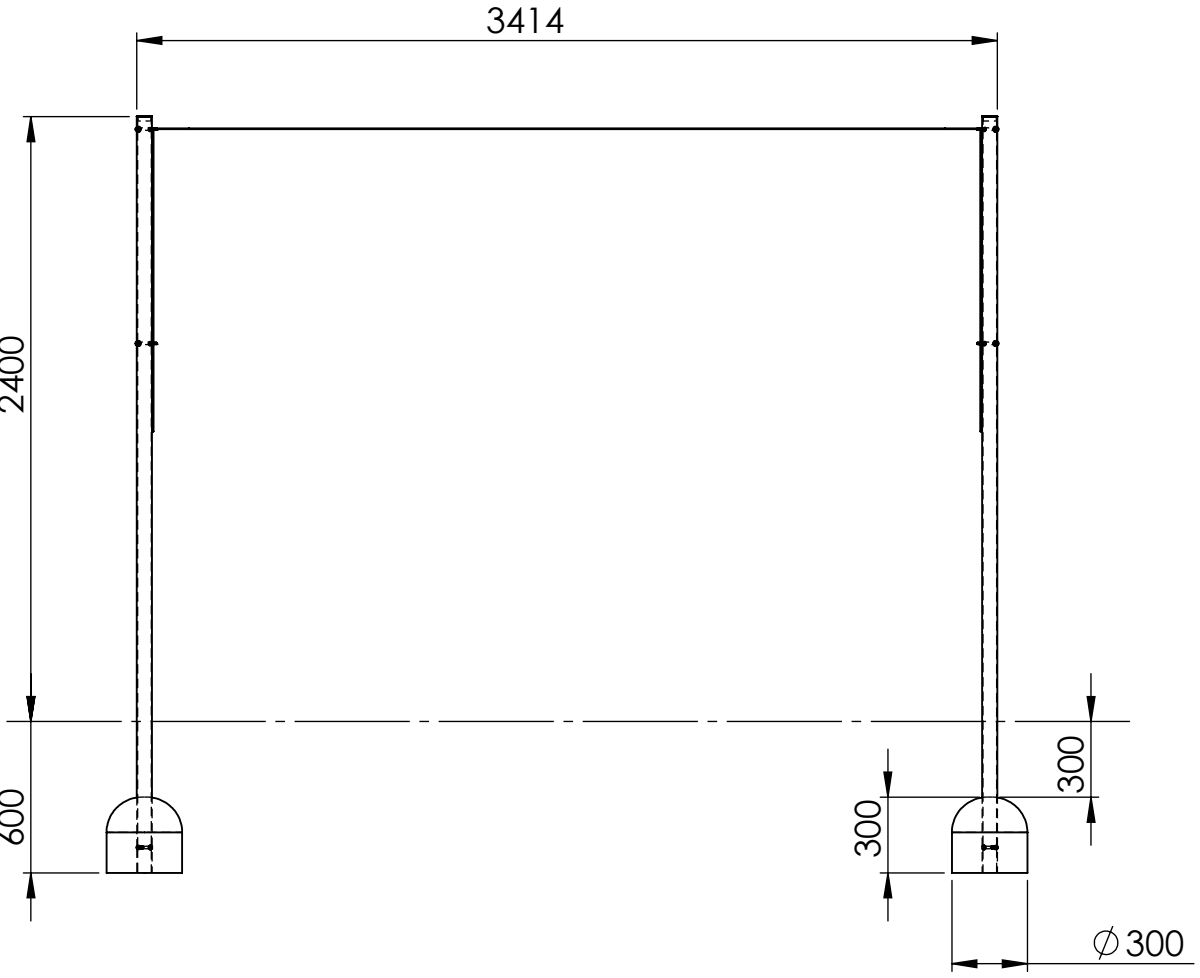
Tiptap ^{ÖÜ}

A4

WEIGHT:

SCALE: 1:40

SHEET 3 OF 6



UNLESS OTHERWISE SPECIFIED:
DIMENSIONS ARE IN MILLIMETERS
WEIGHT ARE IN KILOGRAMM

Product code: **LKPV50**

DESCRIPTION: **Sunshade 3x3m rectangular**

	NAME	SIGNATURE	DATE
DRAWN	I.Agar		15.11.2024



WEIGHT:	SCALE: 1:30	A4
		SHEET 4 OF 6

A

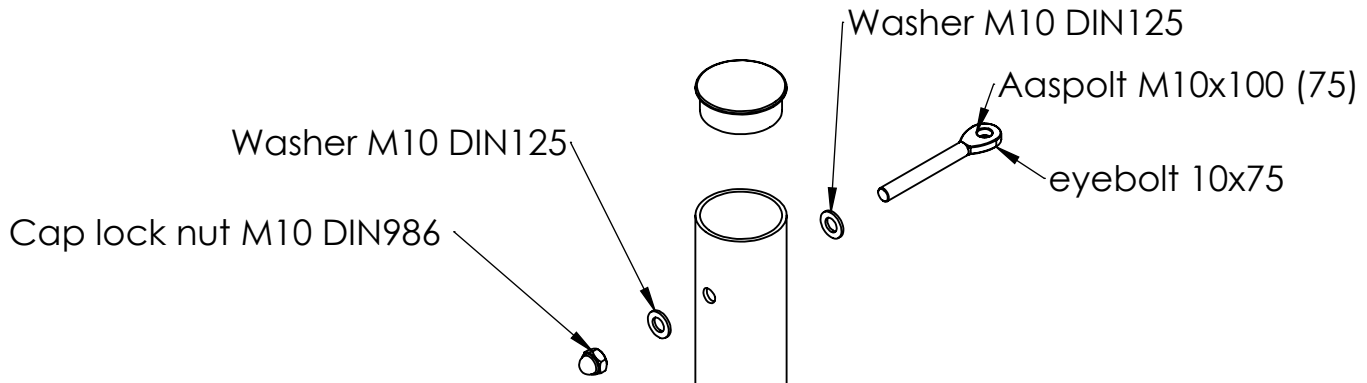
B

C

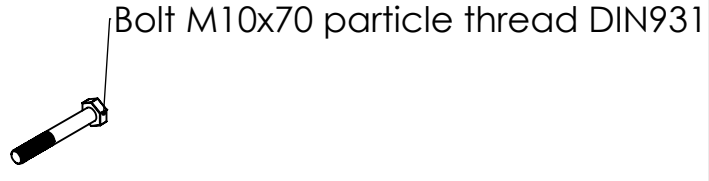
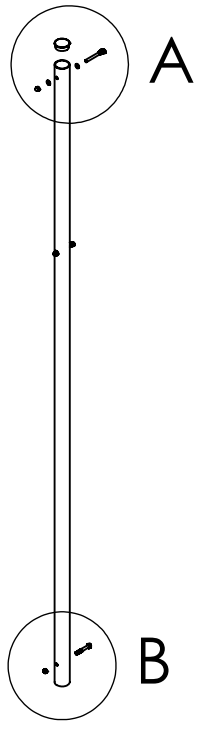
D

E

F



DETAIL A
SCALE 1 : 5



DETAIL B
SCALE 1 : 5

UNLESS OTHERWISE SPECIFIED:
DIMENSIONS ARE IN MILLIMETERS
WEIGHT ARE IN KILOGRAMM

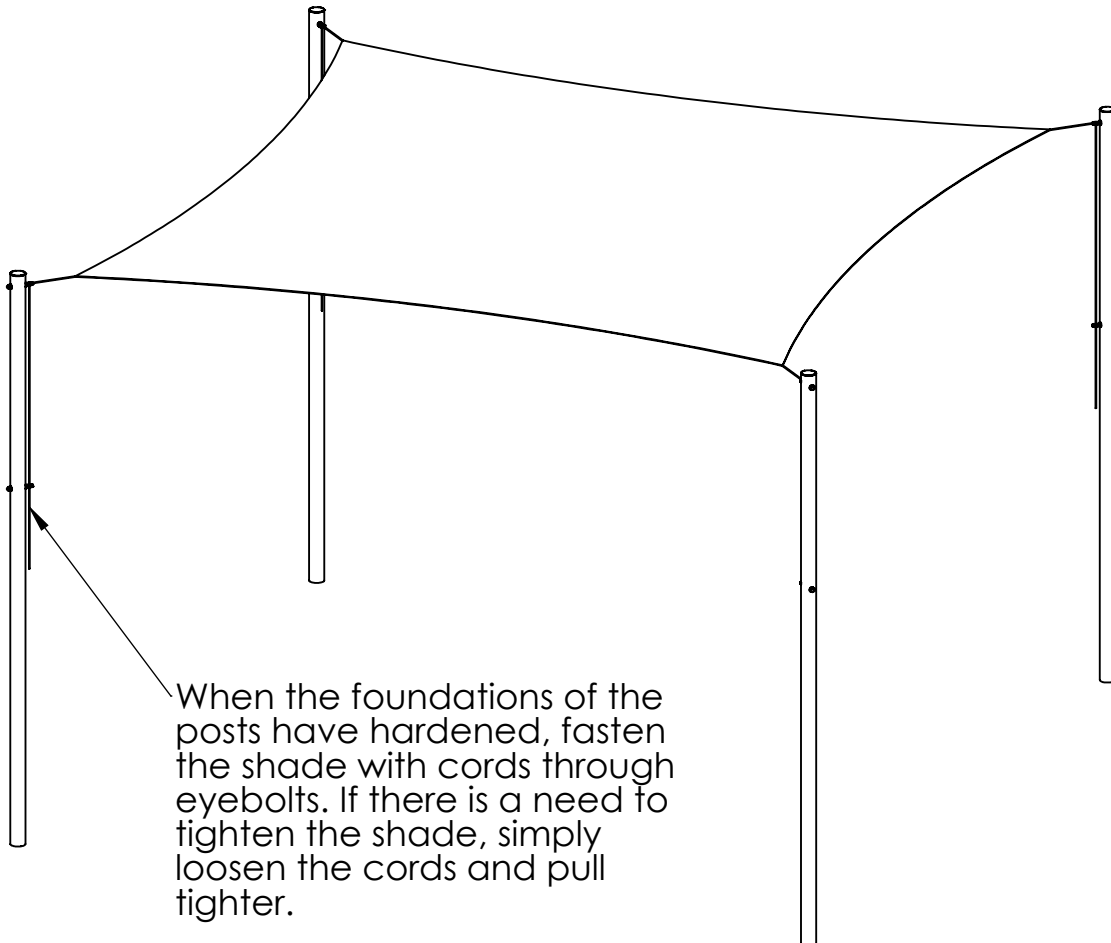
Product code: **LKPV50**

	NAME	SIGNATURE	DATE
DRAWN	I.Agar		15.11.2024

DESCRIPTION: **Sunshade 3x3m rectangular**



WEIGHT:	SCALE: 1:30	A4
		SHEET 5 OF 6



UNLESS OTHERWISE SPECIFIED:
DIMENSIONS ARE IN MILLIMETERS
WEIGHT ARE IN KILOGRAMM

Product code:

LKPV50

DESCRIPTION:

Sunshade 3x3m rectangular

	NAME	SIGNATURE	DATE
DRAWN	I.Agar		15.11.2024



Tiptiptap ^{OO}

WEIGHT:

SCALE: 1:30

A4

SHEET 6 OF 6