

A

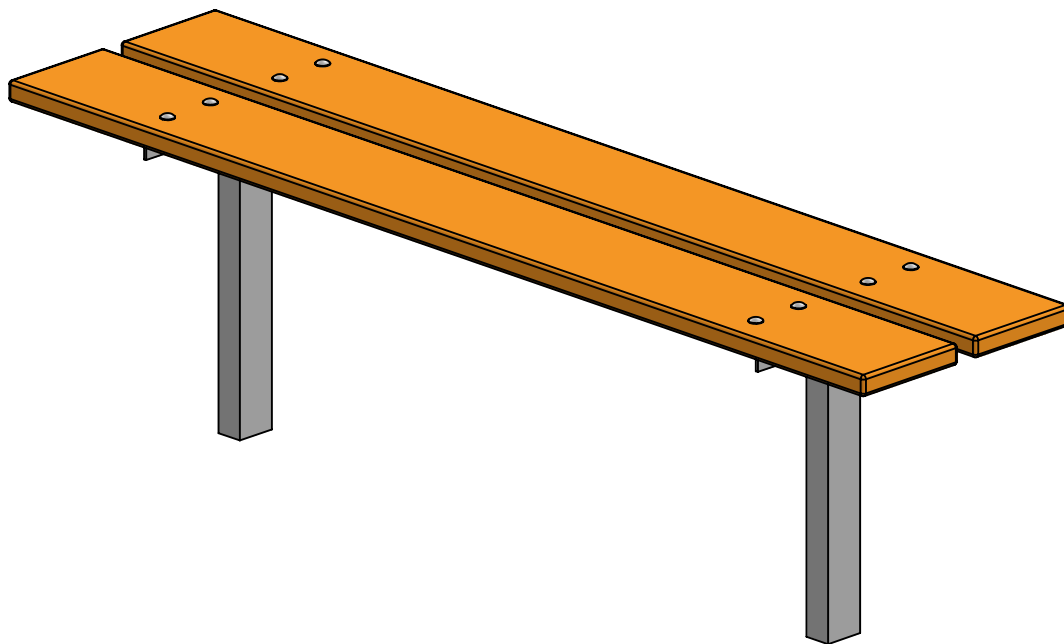
B

C

D

E

F



UNLESS OTHERWISE SPECIFIED:
DIMENSIONS ARE IN MILLIMETERS
WEIGHT ARE IN KILOGRAMM

PART NUMBER / DWG NO.:

IPPS02

	NAME	SIGNATURE	DATE	REVISION
DRAWN	M.Rebase		11.10.2012	
APPV'D				

DESCRIPTION:

Park bench SAUE



Tiptaptap OÜ

Tiptaptap OÜ
Veetorni 9,
Jüri alevik, Rae vald,
75301 Harjumaa

MATERIAL:

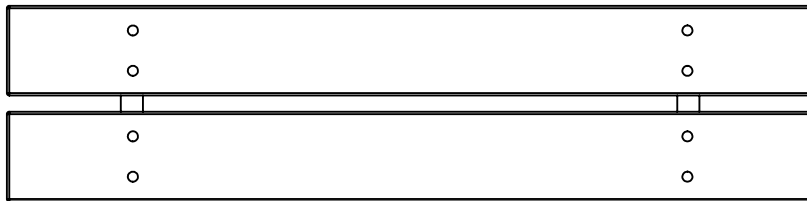
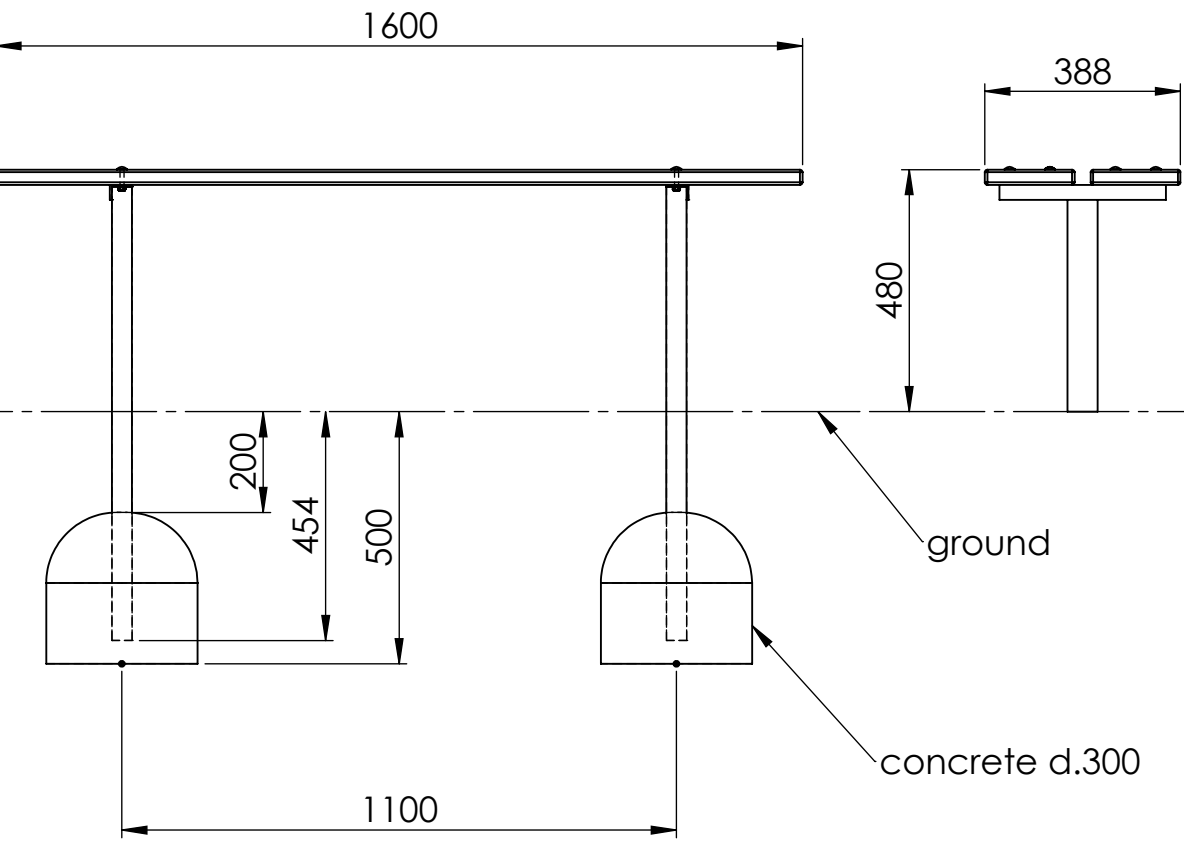
wood, metal

A4

WEIGHT:

SCALE: 1:10

SHEET 1 OF 3



depth of foundation 500mm

UNLESS OTHERWISE SPECIFIED:
DIMENSIONS ARE IN MILLIMETERS
WEIGHT ARE IN KILOGRAMM

PART NUMBER / DWG NO.:

IPPS02

	NAME	SIGNATURE	DATE	REVISION
DRAWN	M.Rebase		11.10.2012	
APPV'D				

DESCRIPTION:

Park bench SAUE



Tiptaptap OÜ

Tiptaptap OÜ
Veetorni 9,
Jüri alevik, Rae vald,
75301 Harjumaa

MATERIAL:

wood, metal

A4

WEIGHT:

SCALE: 1:15

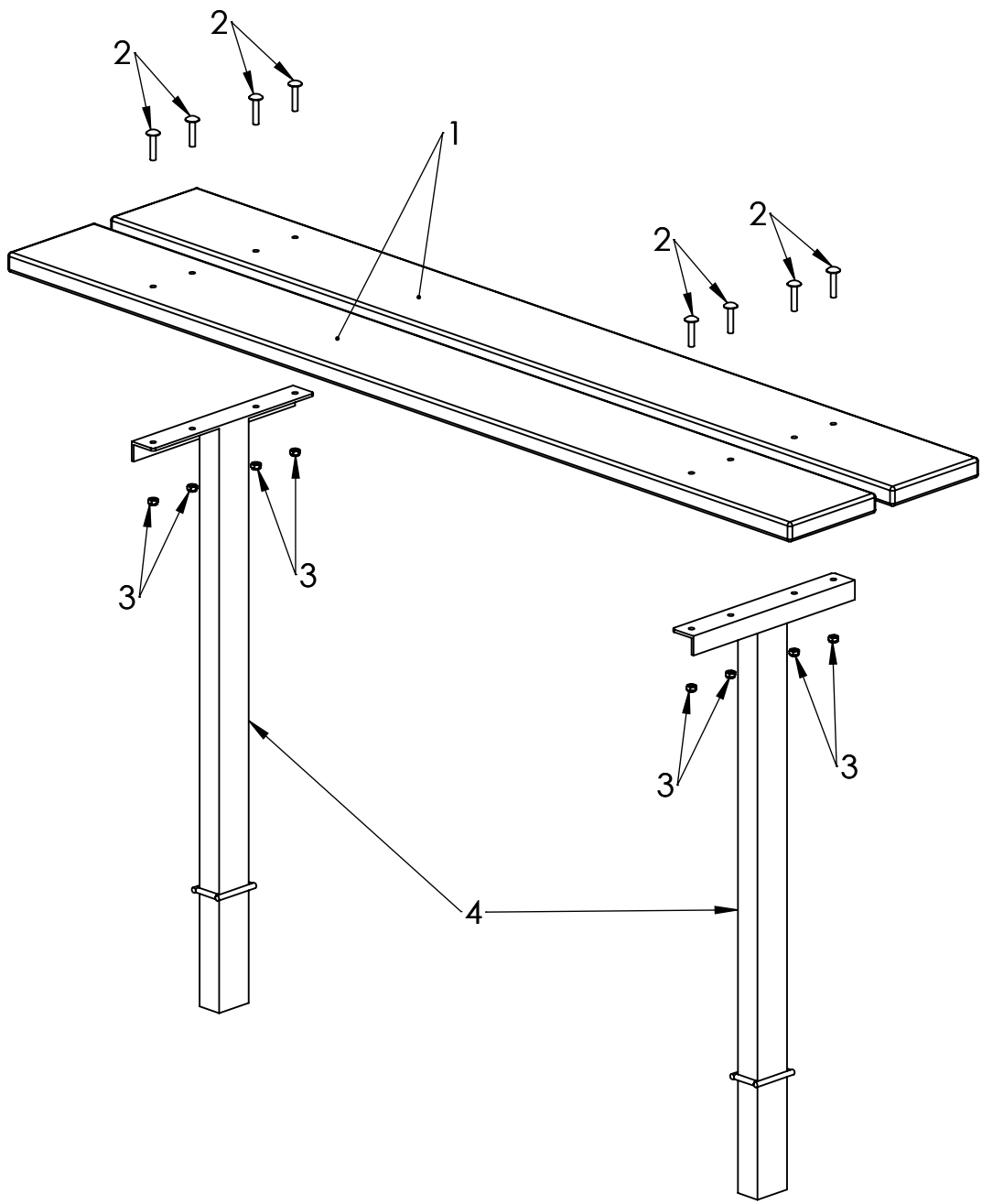
SHEET 2 OF 3

A

B

C

D



ITEM NO.	PART NUMBER	DESCRIPTION	QTY.
1	board 30x178x1600	wood	2
2	bolt DIN603 M8x40	galvanized steel	8
3	nut DIN985 M8	galvanized steel	8
4	ground fixing	galvanized steel	2

UNLESS OTHERWISE SPECIFIED: DIMENSIONS ARE IN MILLIMETERS WEIGHT ARE IN KILOGRAMM				
	NAME	SIGNATURE	DATE	REVISION
DRAWN	M.Rebase		11.10.2012	
APPV'D				

PART NUMBER / DWG NO.:	IPPS02
DESCRIPTION:	Park bench SAUE


Tiptiptap OÜ
 Veetorni 9,
 Jüri alevik, Rae vald,
 75301 Harjumaa

MATERIAL:	wood, metal	A4
WEIGHT:	SCALE: 1:10	SHEET 3 OF 3