

A

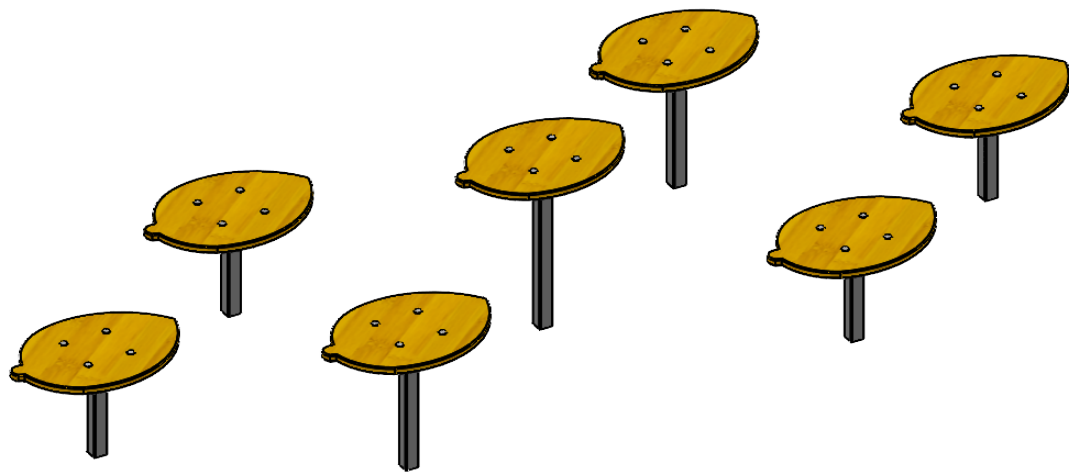
B

C

D

E

F



UNLESS OTHERWISE SPECIFIED:
 DIMENSIONS ARE IN MILLIMETERS
 WEIGHT ARE IN KILOGRAMM

PART NUMBER / DWG NO.:
TKR602-1

	NAME	SIGNATURE	DATE	REVISION
DRAWN	E.Reispere		17.03.2025	
APPV'D				

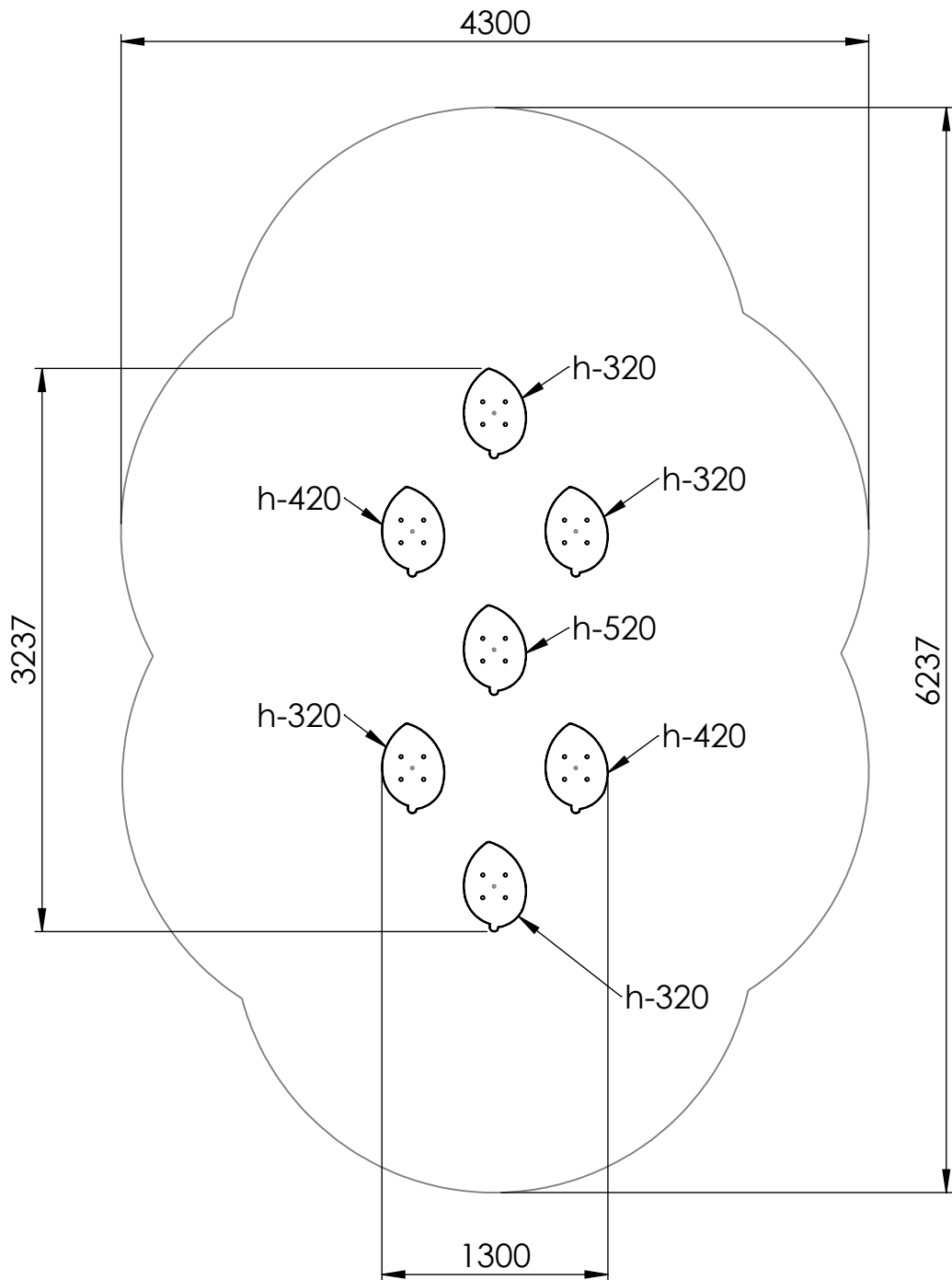
DESCRIPTION:
Balance track LEAVES



MATERIAL: wood, metal, plastic A4

WEIGHT: SCALE: 1:50 SHEET 1 OF 5

safety area



safety area: 16,95 m²

UNLESS OTHERWISE SPECIFIED:
DIMENSIONS ARE IN MILLIMETERS
WEIGHT ARE IN KILOGRAMM

PART NUMBER / DWG NO.:

TKR602-1

	NAME	SIGNATURE	DATE	REVISION
DRAWN	E.Reispere		17.03.2025	
APPV'D				

DESCRIPTION:

Balance track LEAVES

MATERIAL:

wood, metal, plastic

A4

WEIGHT:

SCALE: 1:50

SHEET 2 OF 5



Tiptiptap OÜ

foundation

A

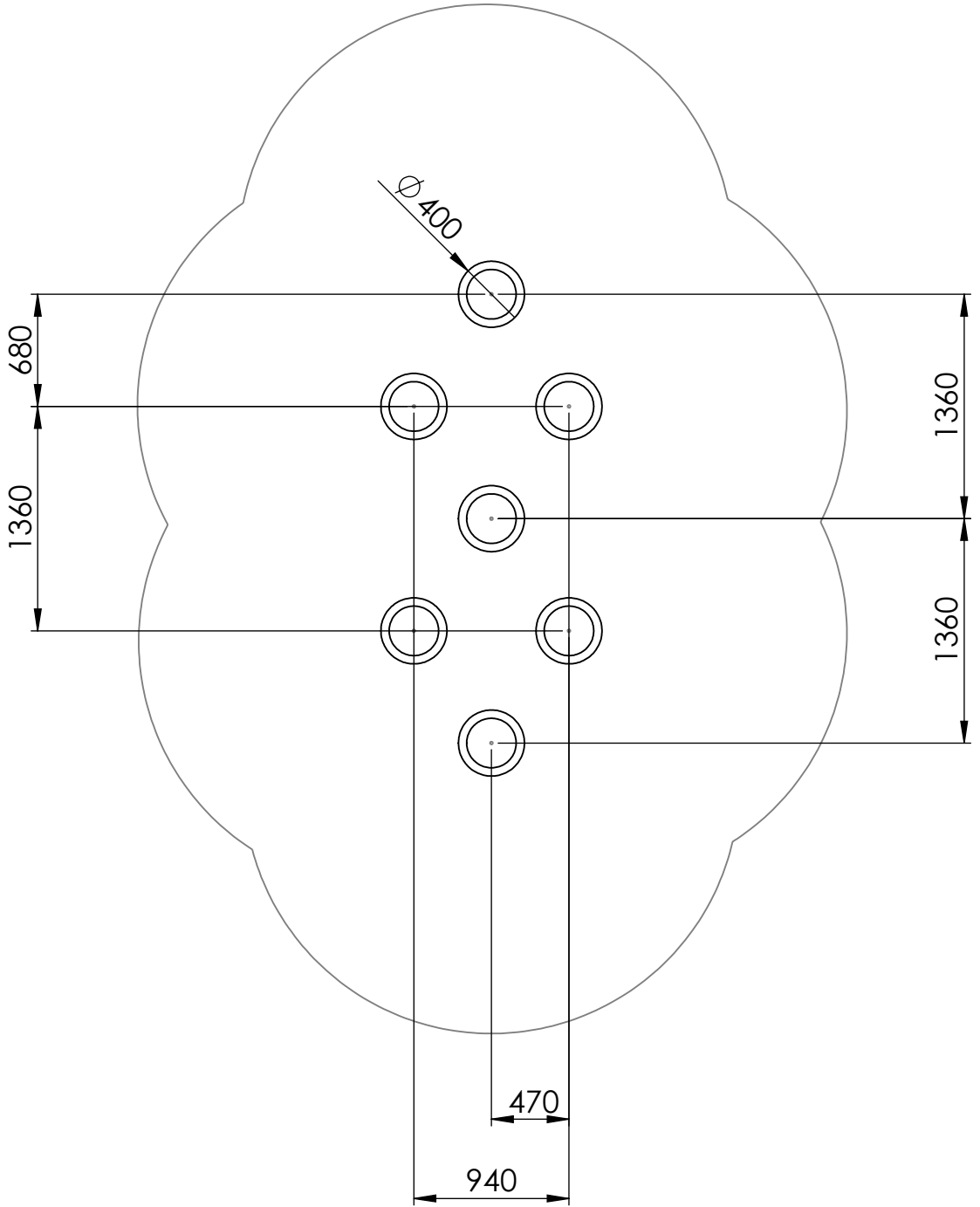
B

C

D

E

F



UNLESS OTHERWISE SPECIFIED: DIMENSIONS ARE IN MILLIMETERS WEIGHT ARE IN KILOGRAMM				
	NAME	SIGNATURE	DATE	REVISION
DRAWN	E.Reispere		17.03.2025	
APPV'D				

PART NUMBER / DWG NO.:	TKR602-1
DESCRIPTION:	Balance track LEAVES



MATERIAL:	wood, metal, plastic	A4
WEIGHT:	SCALE: 1:50	SHEET 3 OF 5

dimensions

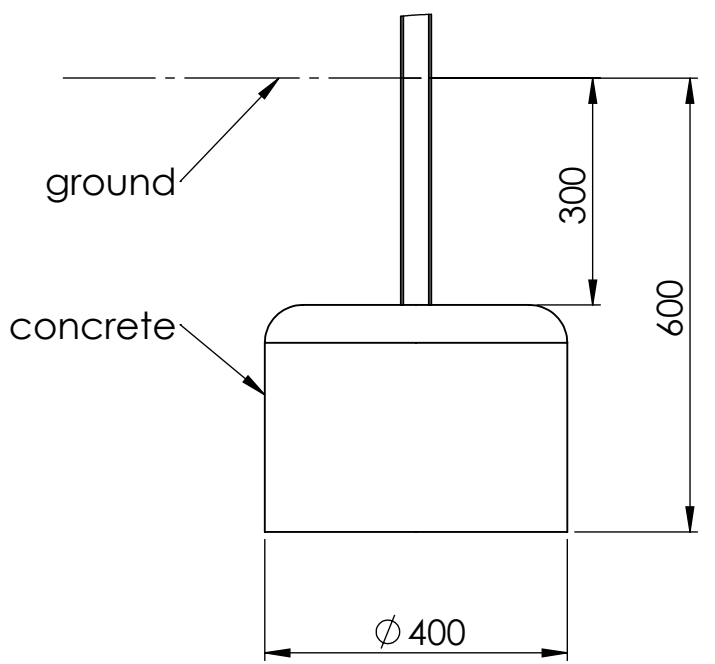
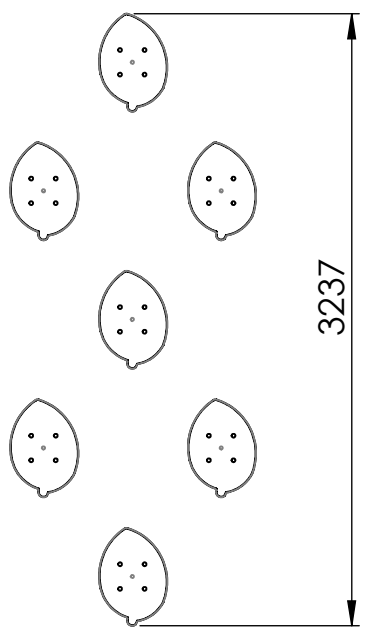
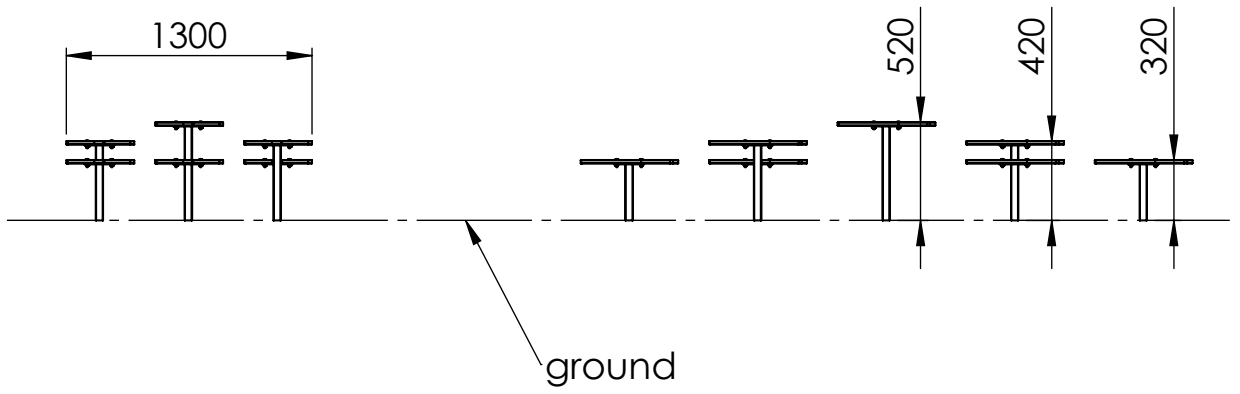
A

B

C

D

E



UNLESS OTHERWISE SPECIFIED:
DIMENSIONS ARE IN MILLIMETERS
WEIGHT ARE IN KILOGRAMM

	NAME	SIGNATURE	DATE	REVISION
DRAWN	E.Reispere		17.03.2025	
APPV'D				

PART NUMBER / DWG NO.:	TKR602-1
DESCRIPTION:	Balance track LEAVES



MATERIAL:	wood, metal, plastic	A4
WEIGHT:	SCALE: 1:50	SHEET 4 OF 5

A

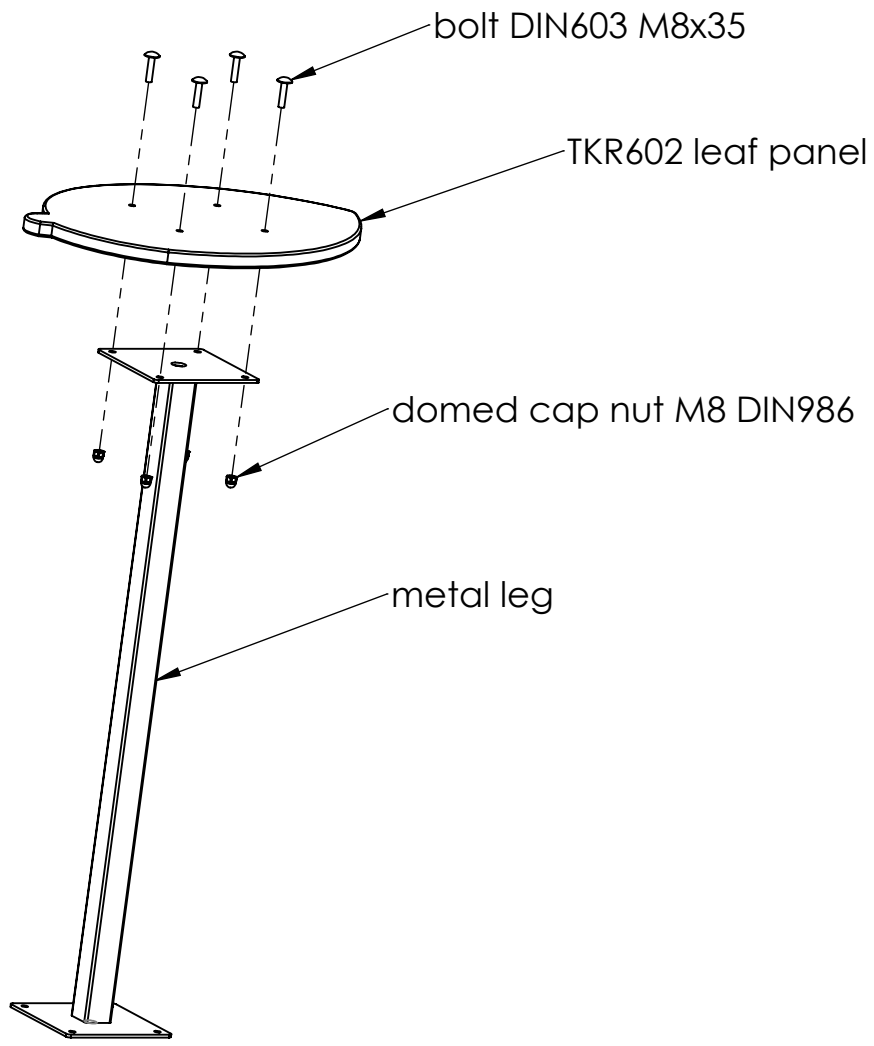
B

C

D

E

F



metal leg:

h- 900 4pc.

h-1000 2pc.

h-1100 1pc.

UNLESS OTHERWISE SPECIFIED:
DIMENSIONS ARE IN MILLIMETERS
WEIGHT ARE IN KILOGRAMM

PART NUMBER / DWG NO.:

TKR602-1

	NAME	SIGNATURE	DATE	REVISION
DRAWN	E.Reispere		17.03.2025	
APPV'D				

DESCRIPTION:

Balance track LEAVES



Tiptiptap^{OO}

MATERIAL:

wood, metal, plastic

A4

WEIGHT:

SCALE: 1:50

SHEET 5 OF 5