

A

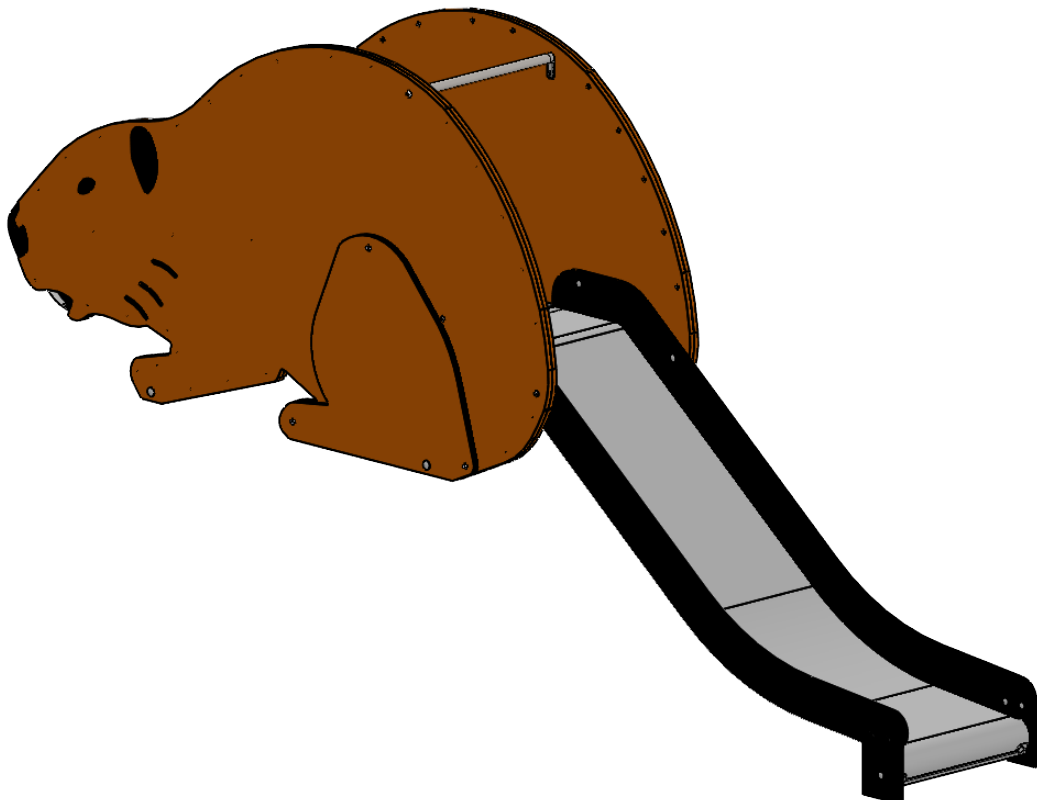
B

C

D

E

F



UNLESS OTHERWISE SPECIFIED:
 DIMENSIONS ARE IN MILLIMETERS
 WEIGHT ARE IN KILOGRAMM

PART NUMBER / DWG NO.:
LM502

	NAME	SIGNATURE	DATE	REVISION
DRAWN	E.Reispere		04.06.2025	
APPV'D				

DESCRIPTION:
Slide CASTOR



MATERIAL: **metal, plastic** A4

WEIGHT: SCALE: 1:50 SHEET 1 OF 13

safety area

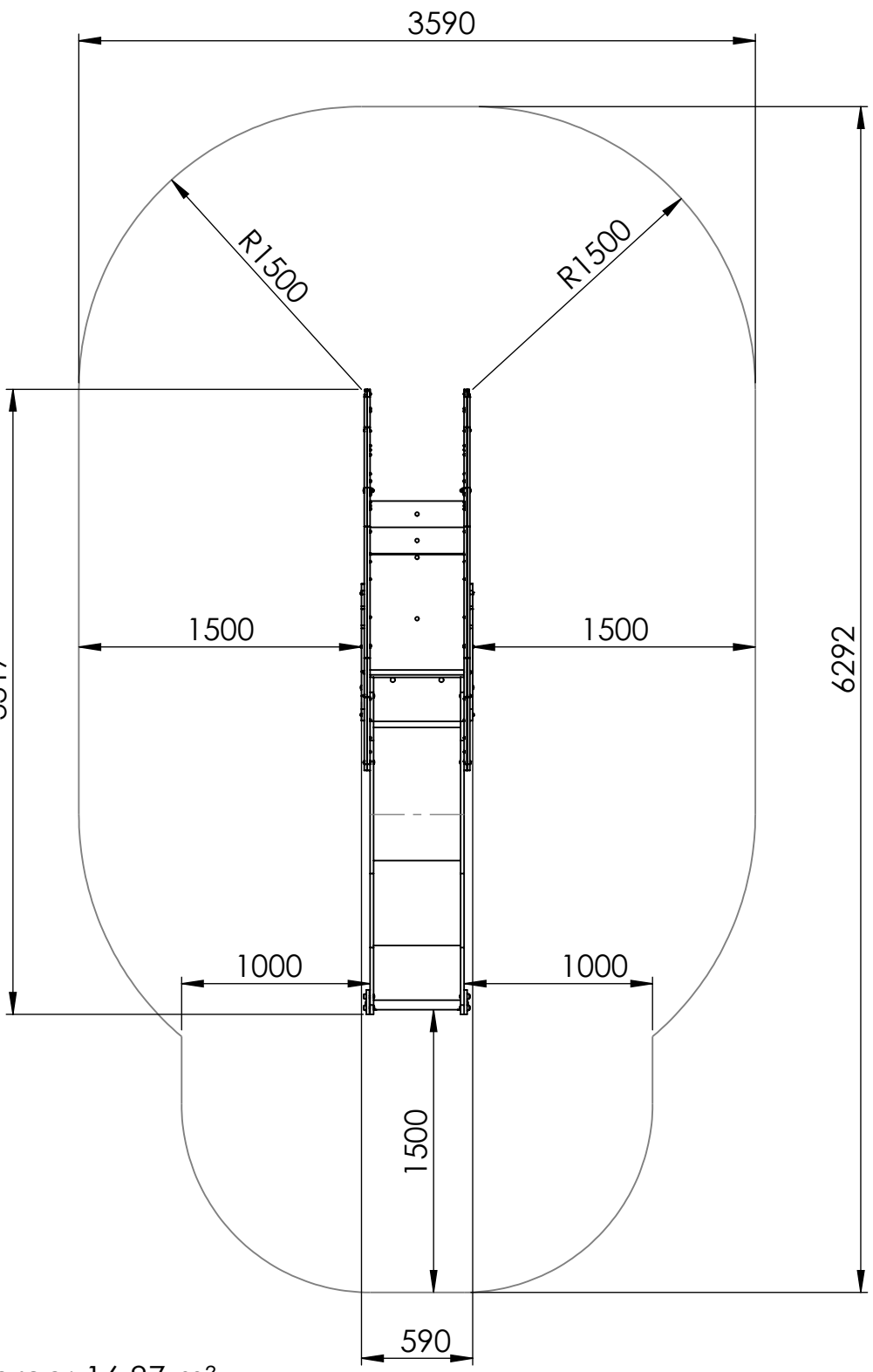
A

B

C

D

E



safety area: 16,87 m²

UNLESS OTHERWISE SPECIFIED: DIMENSIONS ARE IN MILLIMETERS WEIGHT ARE IN KILOGRAMM				
	NAME	SIGNATURE	DATE	REVISION
DRAWN	E.Reispere		04.06.2025	
APPV'D				

PART NUMBER / DWG NO.:	LM502
DESCRIPTION:	Slide CASTOR



MATERIAL:	metal, plastic	A4
WEIGHT:	SCALE: 1:50	SHEET 2 OF 13

foundation

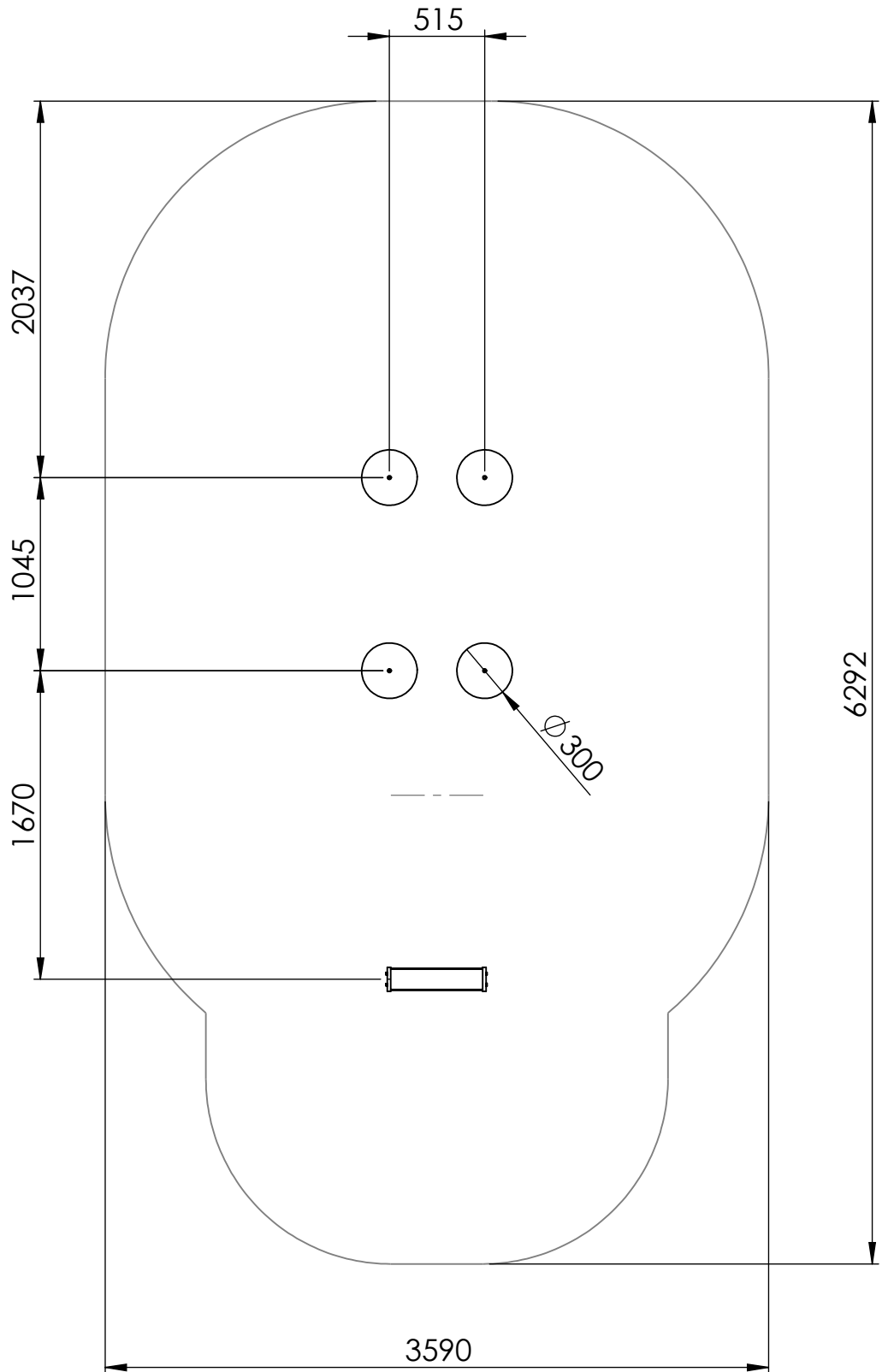
A

B

C

D

E



UNLESS OTHERWISE SPECIFIED:
DIMENSIONS ARE IN MILLIMETERS
WEIGHT ARE IN KILOGRAMM

PART NUMBER / DWG NO.:
LM502

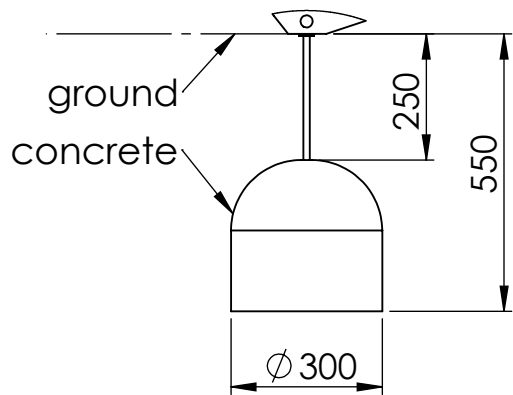
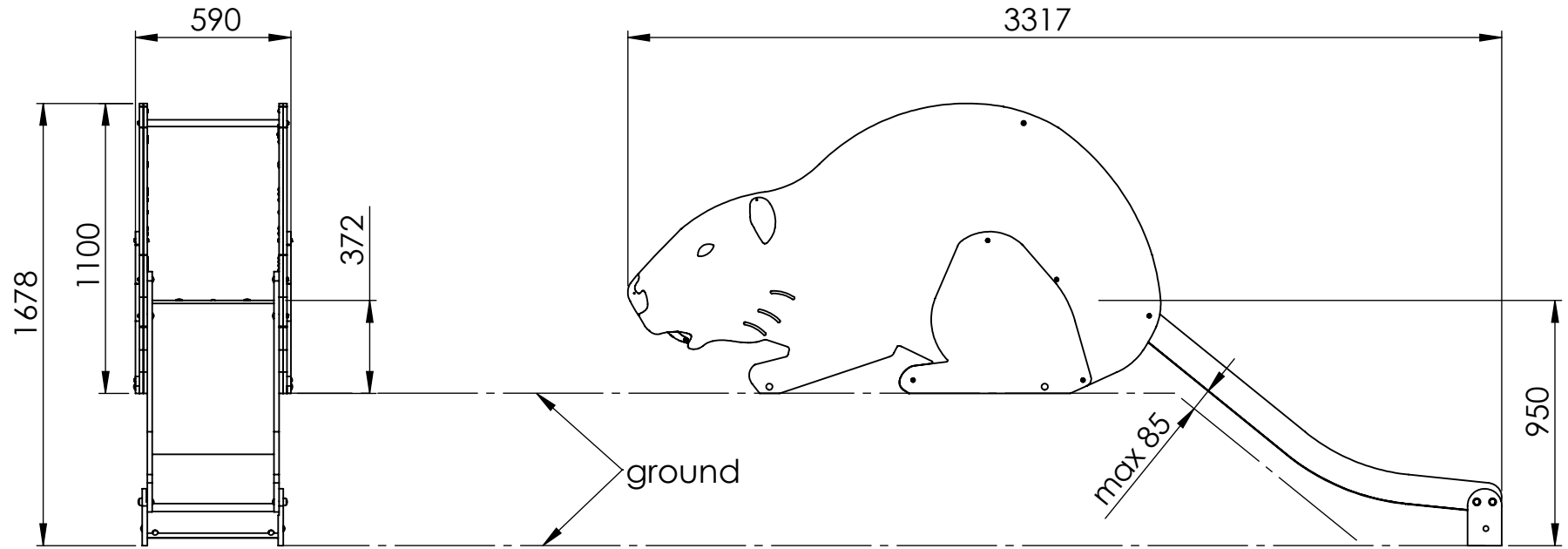
	NAME	SIGNATURE	DATE	REVISION
DRAWN	E.Reispere		04.06.2025	
APPV'D				

DESCRIPTION:
Slide CASTOR



MATERIAL:	metal, plastic	A4
WEIGHT:		SCALE: 1:50
		SHEET 3 OF 13

dimensions



UNLESS OTHERWISE SPECIFIED:
DIMENSIONS ARE IN MILLIMETERS
WEIGHT ARE IN KILOGRAMM

	NAME	SIGNATURE	DATE	REVISION
DRAWN	E.Reispere		04.06.2025	
APPV'D				



Tiptap ^{ÖÜ}

PART NUMBER / DWG NO.:

LM502

DESCRIPTION:

Slide CASTOR

MATERIAL:

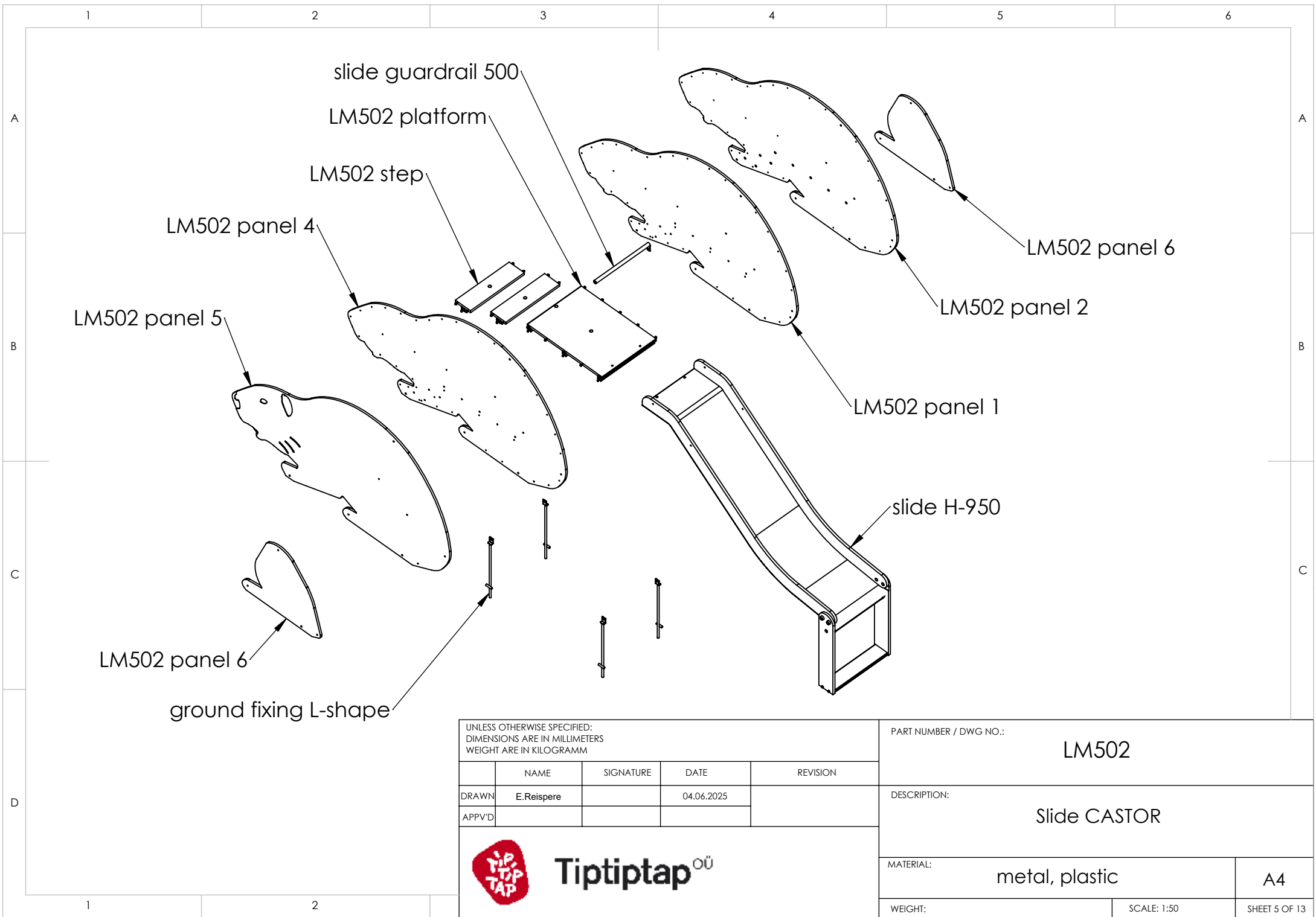
metal, plastic

A4

WEIGHT:

SCALE: 1:50

SHEET 4 OF 13



UNLESS OTHERWISE SPECIFIED:
 DIMENSIONS ARE IN MILLIMETERS
 WEIGHT ARE IN KILOGRAMM

	NAME	SIGNATURE	DATE	REVISION
DRAWN	E.Reispere		04.06.2025	
APPV'D				



PART NUMBER / DWG NO.:		LM502	
DESCRIPTION:		Slide CASTOR	
MATERIAL:	metal, plastic	A4	
WEIGHT:		SCALE: 1:50	SHEET 5 OF 13

A

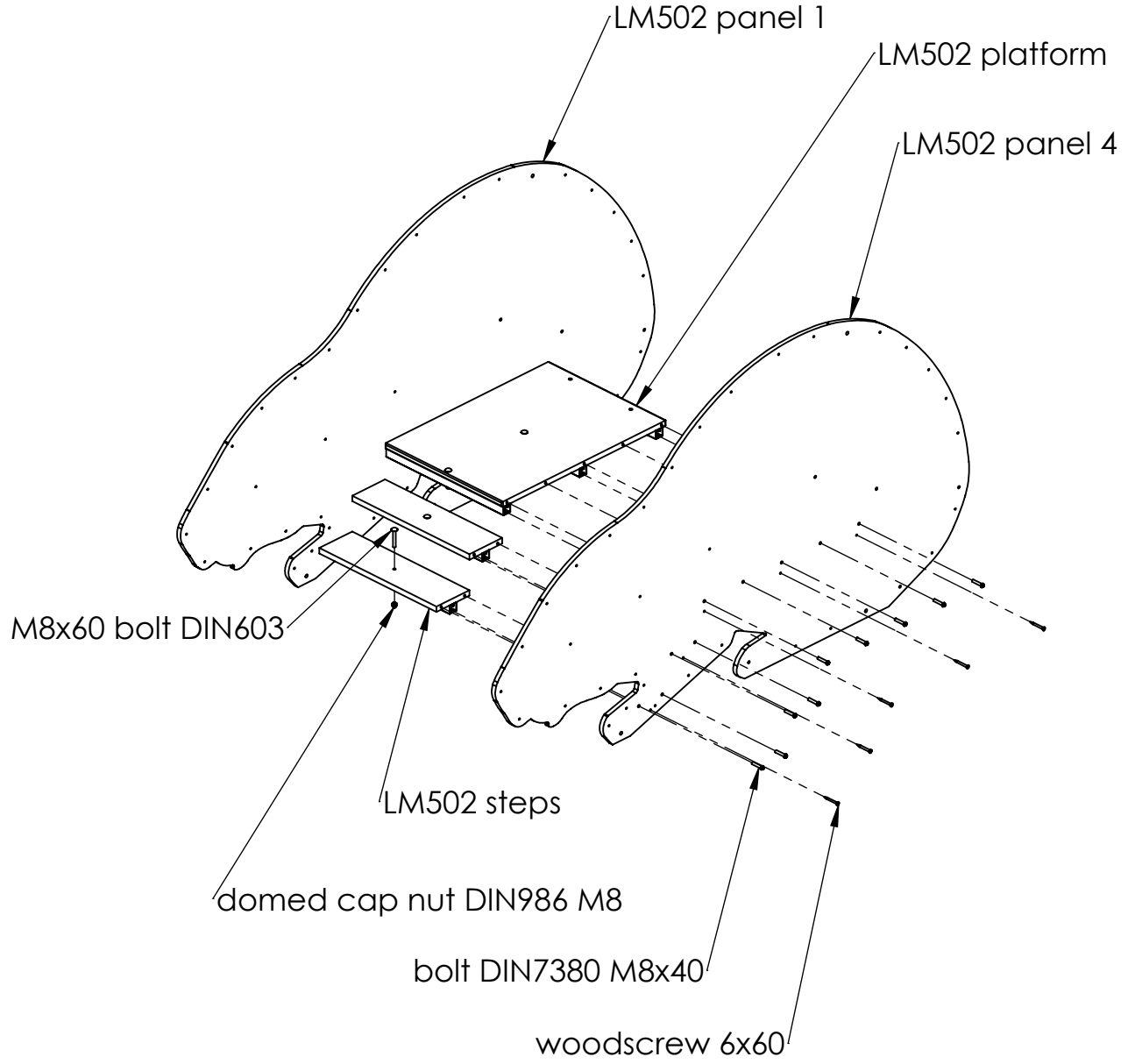
B

C

D

E

F



UNLESS OTHERWISE SPECIFIED:
 DIMENSIONS ARE IN MILLIMETERS
 WEIGHT ARE IN KILOGRAMM

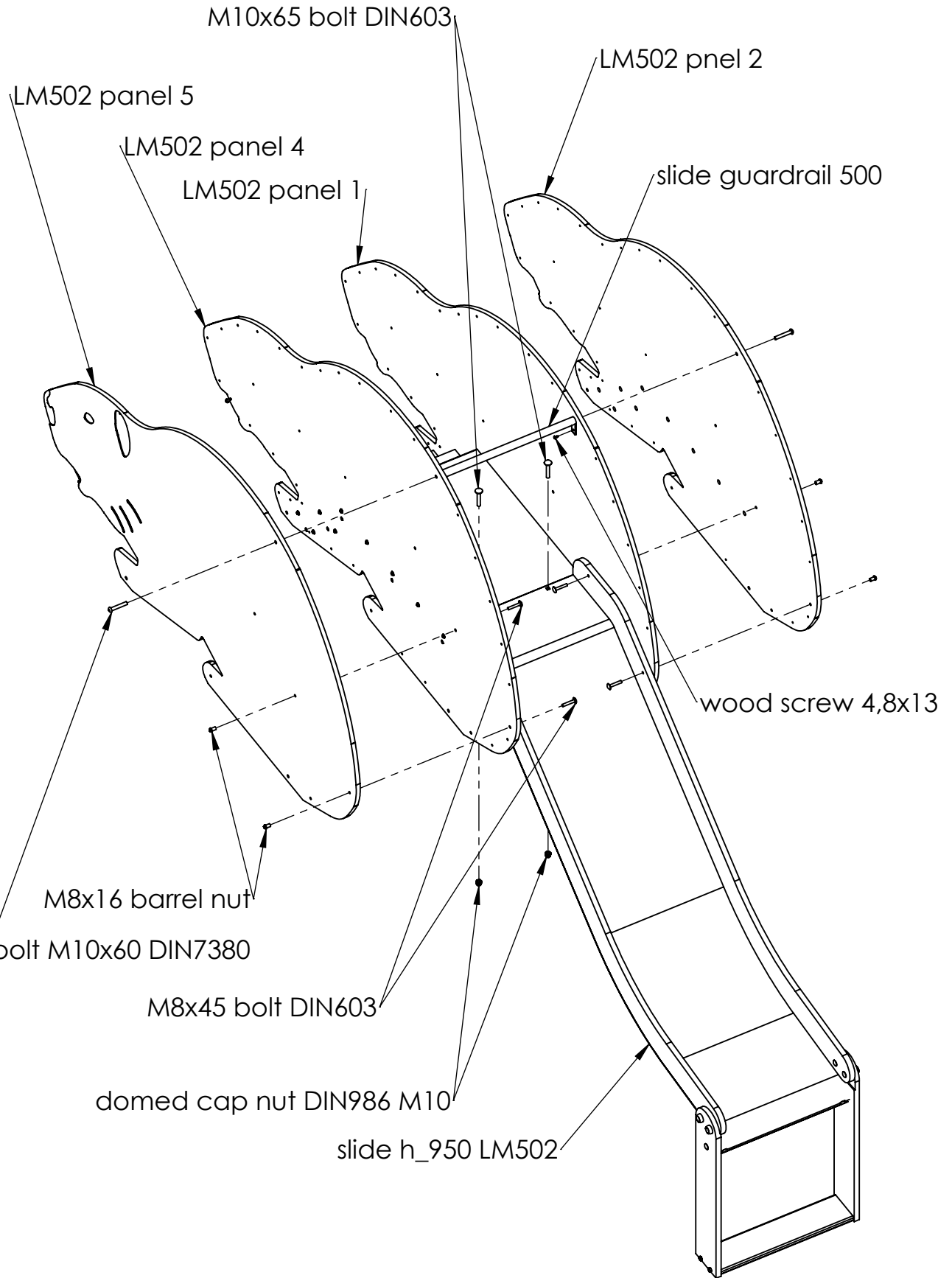
PART NUMBER / DWG NO.:
LM502

	NAME	SIGNATURE	DATE	REVISION
DRAWN	E.Reispere		04.06.2025	
APPV'D				

DESCRIPTION:
Slide CASTOR



MATERIAL:	metal, plastic	A4
WEIGHT:		SCALE: 1:50
		SHEET 6 OF 13



UNLESS OTHERWISE SPECIFIED:
DIMENSIONS ARE IN MILLIMETERS
WEIGHT ARE IN KILOGRAMM

PART NUMBER / DWG NO.:

LM502

	NAME	SIGNATURE	DATE	REVISION
DRAWN	E.Reispere		04.06.2025	
APPV'D				

DESCRIPTION:

Slide CASTOR



Tiptap OÜ

MATERIAL:

metal, plastic

A4

WEIGHT:

SCALE: 1:50

SHEET 7 OF 13

A

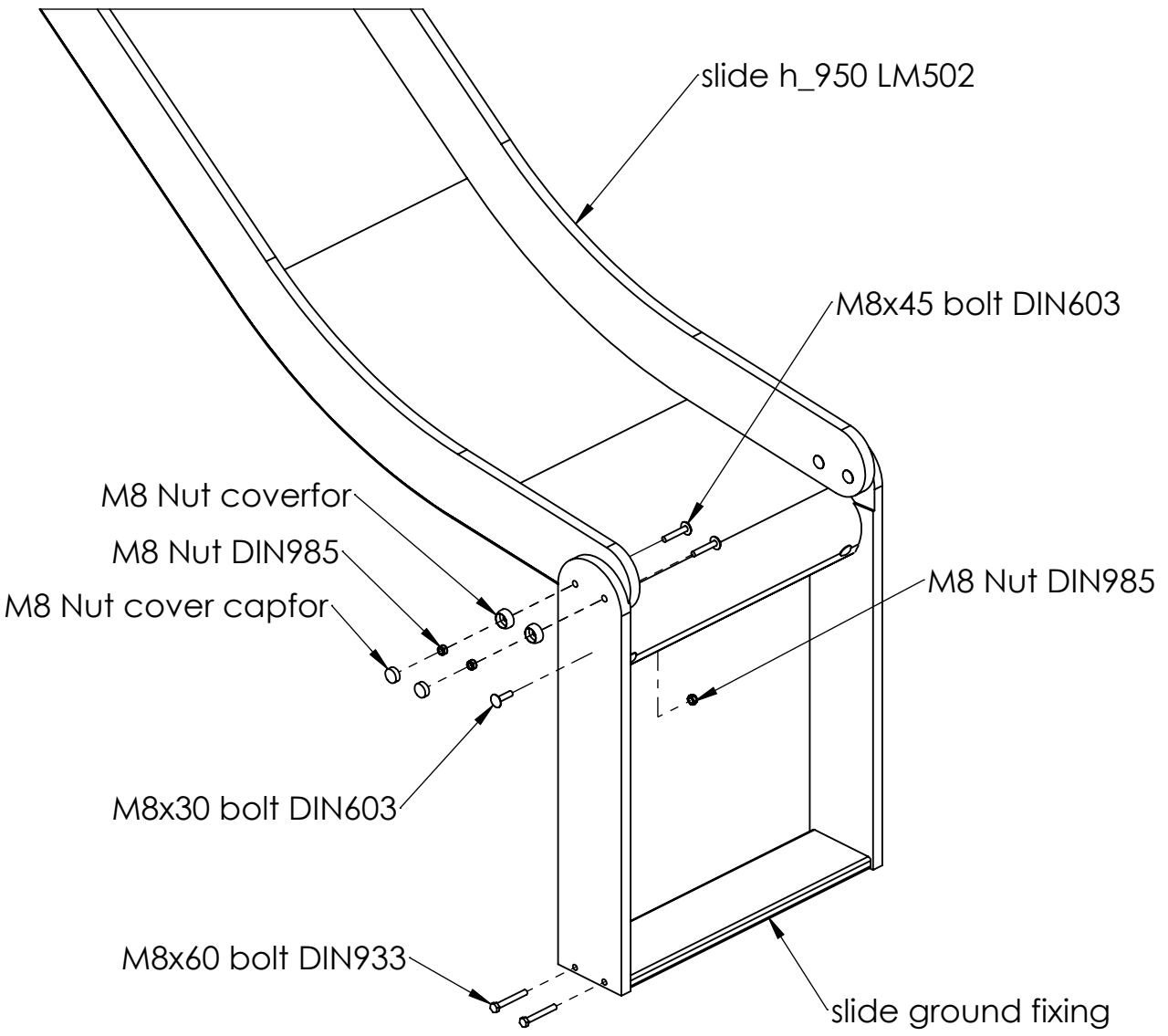
B

C

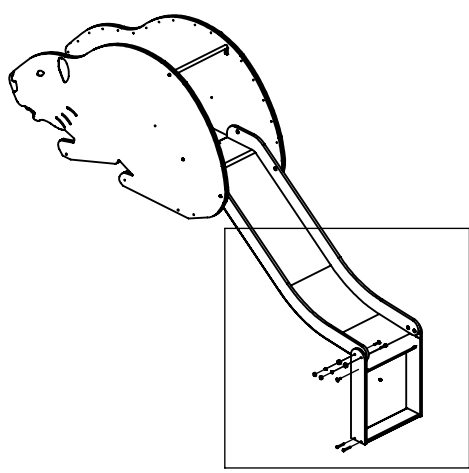
D

E

F



DETAIL A



UNLESS OTHERWISE SPECIFIED:
DIMENSIONS ARE IN MILLIMETERS
WEIGHT ARE IN KILOGRAMM

	NAME	SIGNATURE	DATE	REVISION
DRAWN	E.Reispere		04.06.2025	
APPV'D				

PART NUMBER / DWG NO.:	LM502
DESCRIPTION:	Slide CASTOR



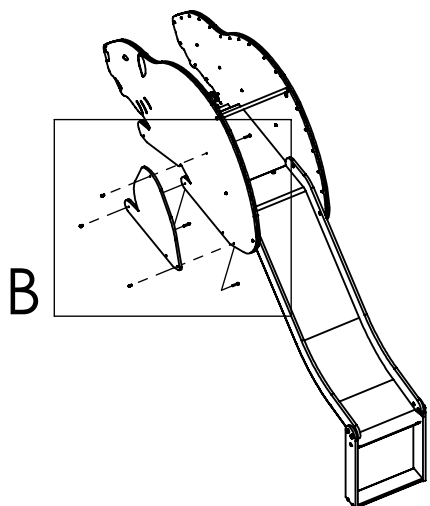
MATERIAL:	metal, plastic	A4
WEIGHT:	SCALE: 1:50	SHEET 8 OF 13

LM502 panel 6

DETAIL B

pin torx nut M18x16 DIN7380

bolt DIN7380 M8x40



UNLESS OTHERWISE SPECIFIED:
DIMENSIONS ARE IN MILLIMETERS
WEIGHT ARE IN KILOGRAMM

PART NUMBER / DWG NO.:
LM502

	NAME	SIGNATURE	DATE	REVISION
DRAWN	E.Reispere		04.06.2025	
APPV'D				

DESCRIPTION:
Slide CASTOR



MATERIAL:	metal, plastic	A4
WEIGHT:	SCALE: 1:50	SHEET 9 OF 13

A

B

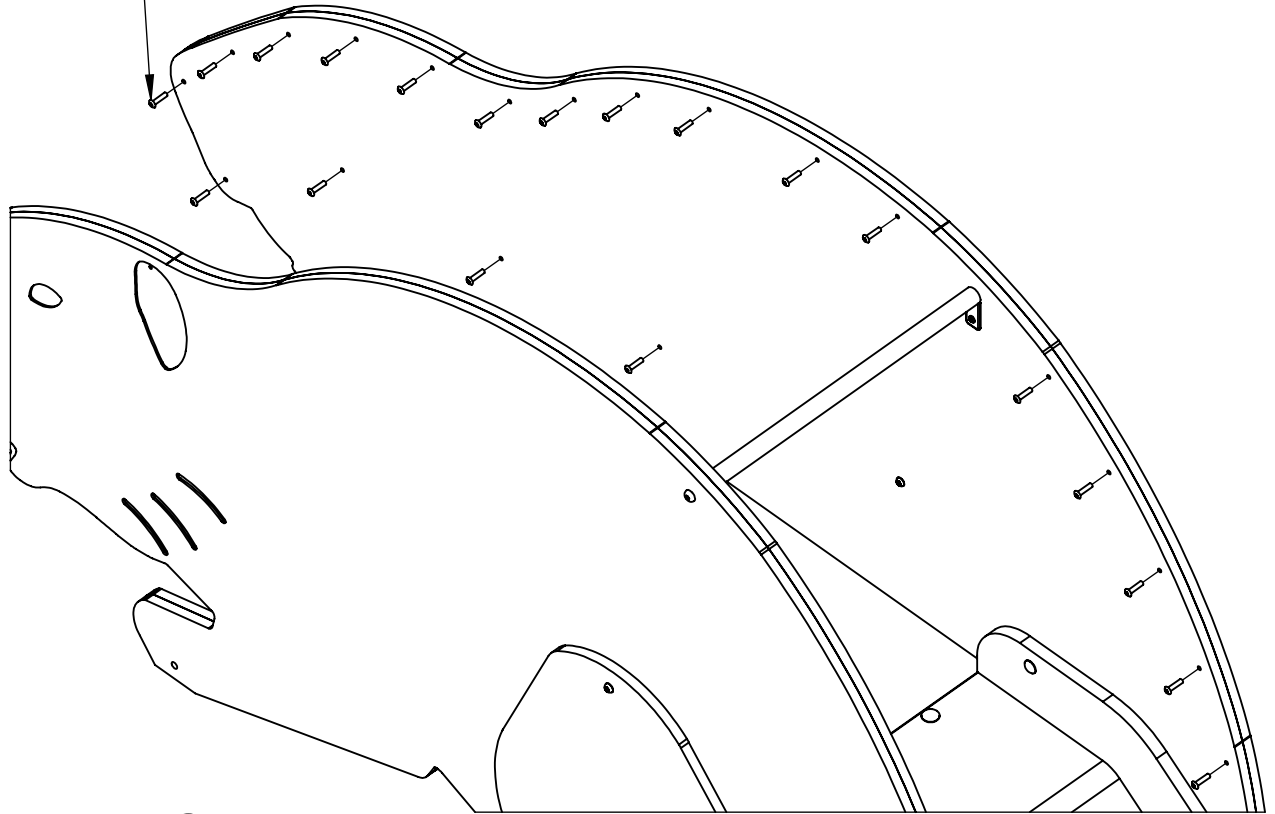
C

D

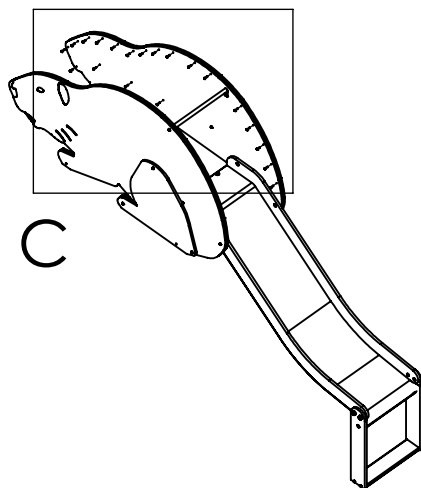
E

F

M6x25 DIN7380



DETAIL C



UNLESS OTHERWISE SPECIFIED:
 DIMENSIONS ARE IN MILLIMETERS
 WEIGHT ARE IN KILOGRAMM

PART NUMBER / DWG NO.:

LM502

	NAME	SIGNATURE	DATE	REVISION
DRAWN	E.Reispere		04.06.2025	
APPV'D				

DESCRIPTION:

Slide CASTOR

MATERIAL:

metal, plastic

A4

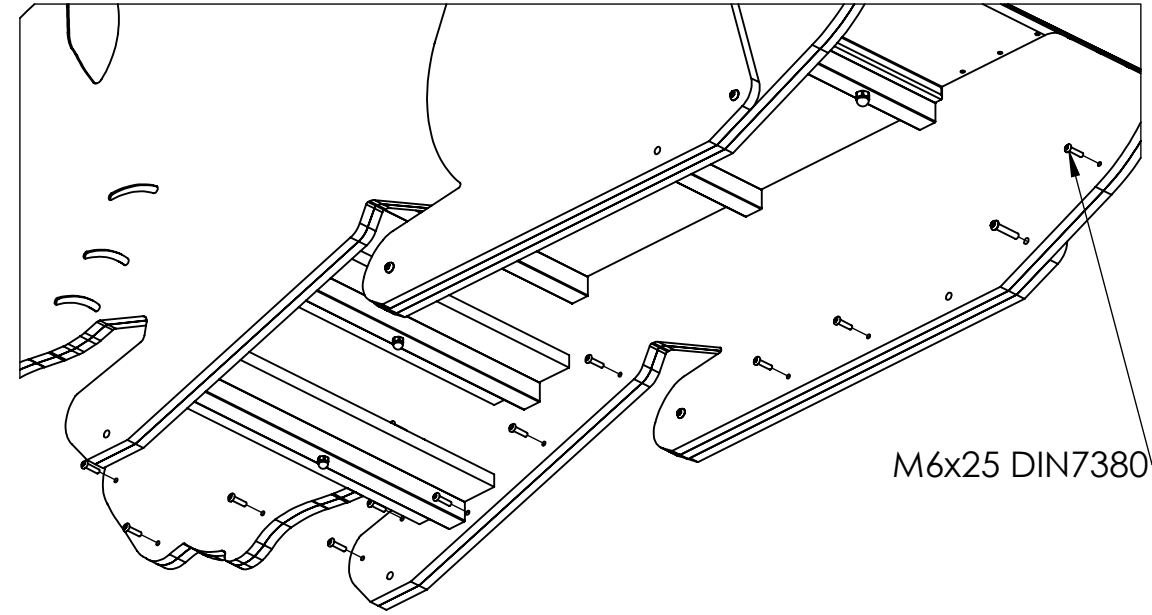
WEIGHT:

SCALE: 1:50

SHEET 10 OF 13

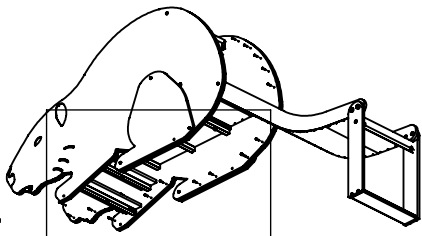


Tiptiptap OÜ



M6x25 DIN7380

DETAIL E



E

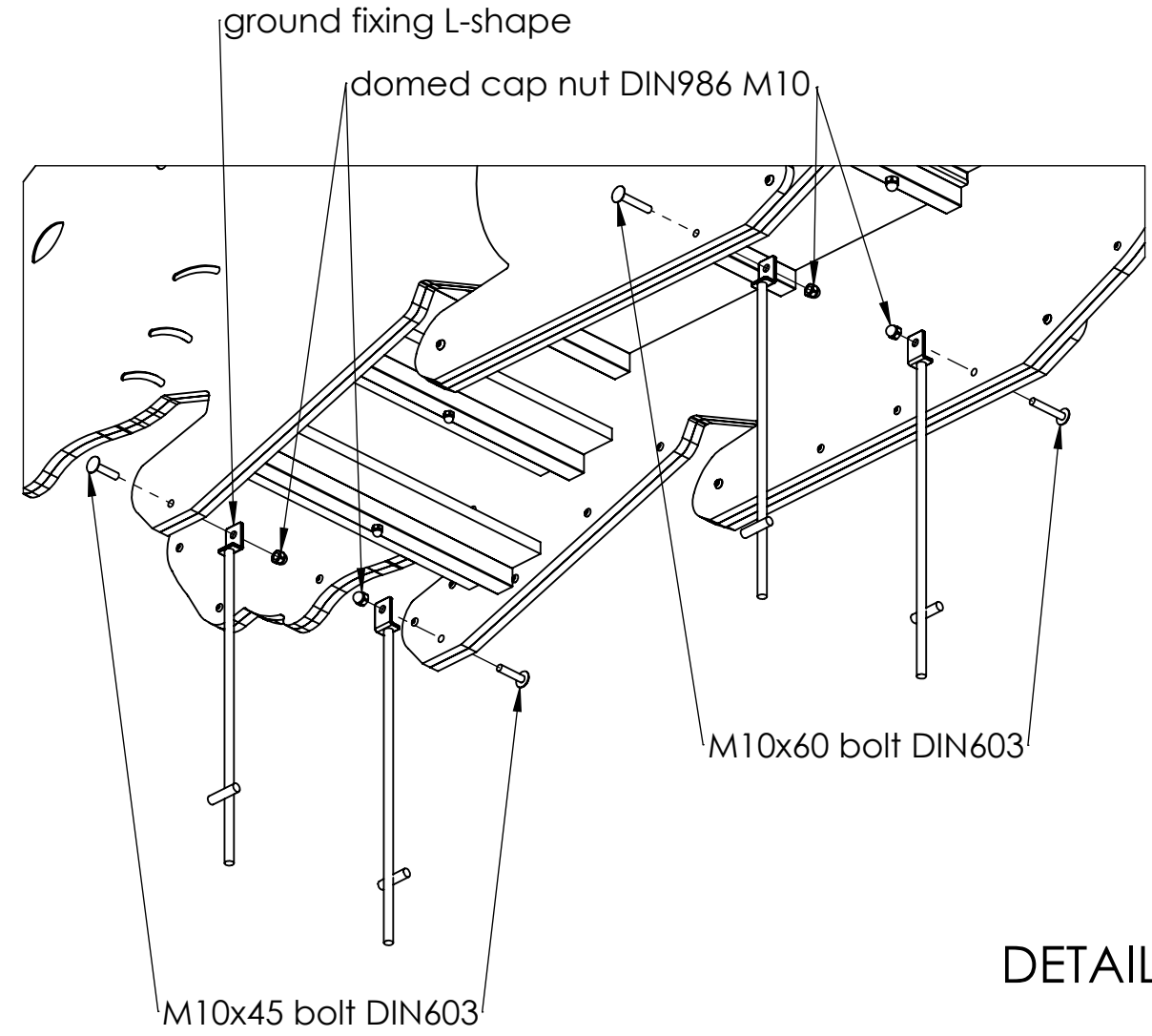
UNLESS OTHERWISE SPECIFIED: DIMENSIONS ARE IN MILLIMETERS WEIGHT ARE IN KILOGRAMM				
	NAME	SIGNATURE	DATE	REVISION
DRAWN	E.Reispere		04.06.2025	
APPV'D				

PART NUMBER / DWG NO.:	LM502
------------------------	-------

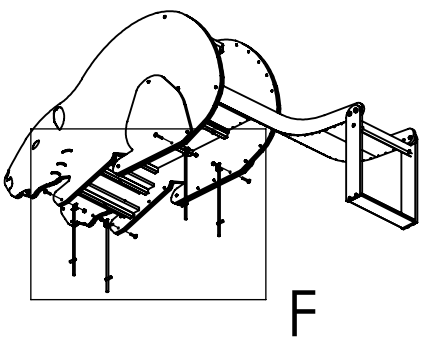
DESCRIPTION:	Slide CASTOR
--------------	--------------

 **Tiptiptap** OÜ

MATERIAL:	metal, plastic	A4
WEIGHT:	SCALE: 1:50	SHEET 11 OF 13



DETAIL F



UNLESS OTHERWISE SPECIFIED:
DIMENSIONS ARE IN MILLIMETERS
WEIGHT ARE IN KILOGRAMM

	NAME	SIGNATURE	DATE	REVISION
DRAWN	E.Reispere		04.06.2025	
APPV'D				

PART NUMBER / DWG NO.:		LM502	
DESCRIPTION:		Slide CASTOR	
MATERIAL:	metal, plastic	A4	
WEIGHT:		SCALE: 1:50	SHEET 12 OF 13



Tiptiptap OÜ

A

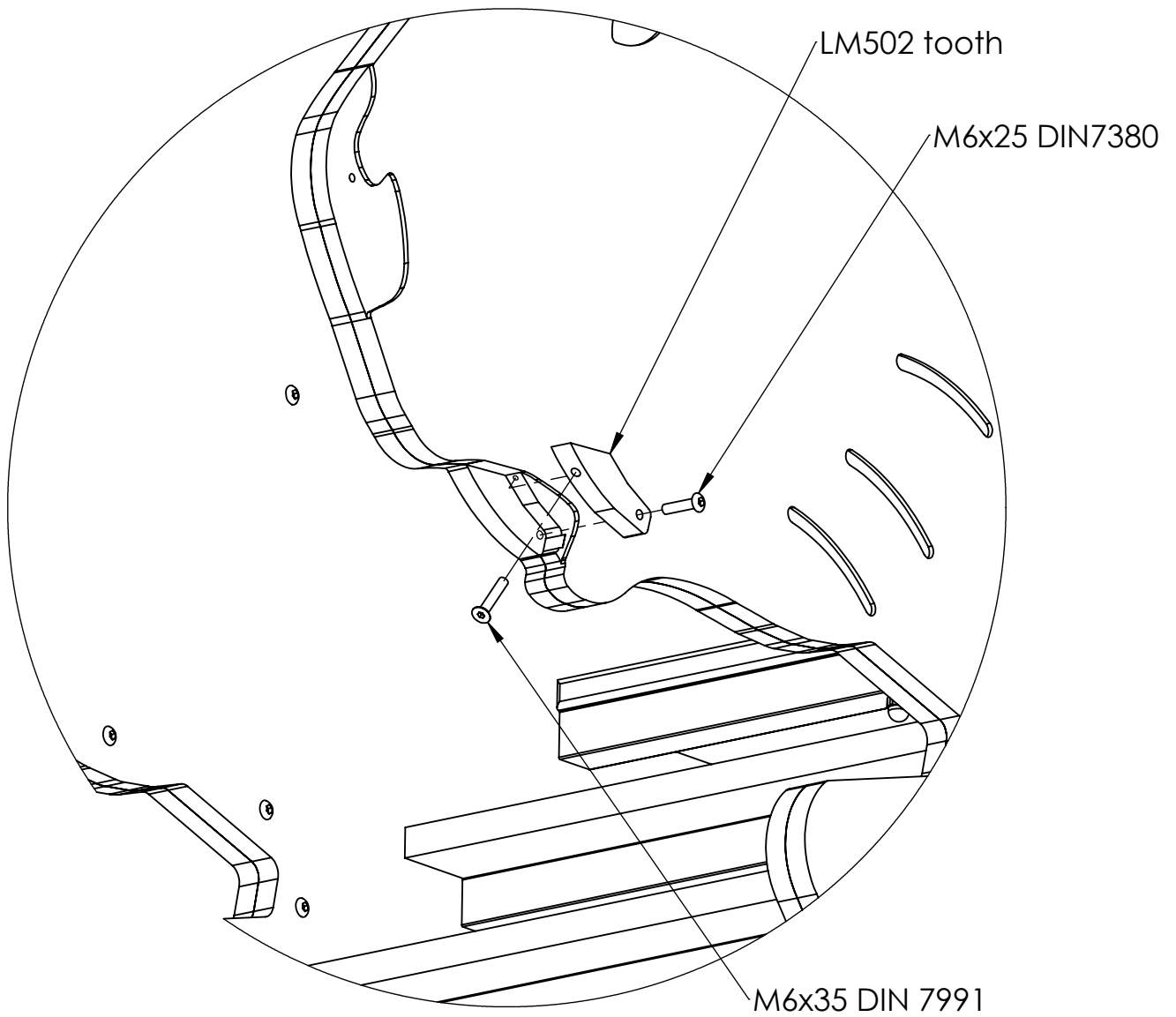
B

C

D

E

F



UNLESS OTHERWISE SPECIFIED:
 DIMENSIONS ARE IN MILLIMETERS
 WEIGHT ARE IN KILOGRAMM

PART NUMBER / DWG NO.:

LM502

	NAME	SIGNATURE	DATE	REVISION
DRAWN	E.Reispere		04.06.2025	
APPV'D				

DESCRIPTION:

Slide CASTOR

MATERIAL:

metal, plastic

A4

WEIGHT:

SCALE: 1:50

SHEET 13 OF 13



Tiptiptap ^{OO}