

A

B

C

D

E

F



UNLESS OTHERWISE SPECIFIED:  
 DIMENSIONS ARE IN MILLIMETERS  
 WEIGHT ARE IN KILOGRAMM

PART NUMBER / DWG NO.:

K118KRS MF

	NAME	SIGNATURE	DATE	REVISION
DRAWN	E.Reispere		01.02.2023	
APPV'D				

DESCRIPTION:

HAMMOCK STRAW



Tiptiptap<sup>OO</sup>

MATERIAL:

wood, metal, plastic

A4

WEIGHT:

SCALE: 1:200

SHEET 1 OF 8

# safety area

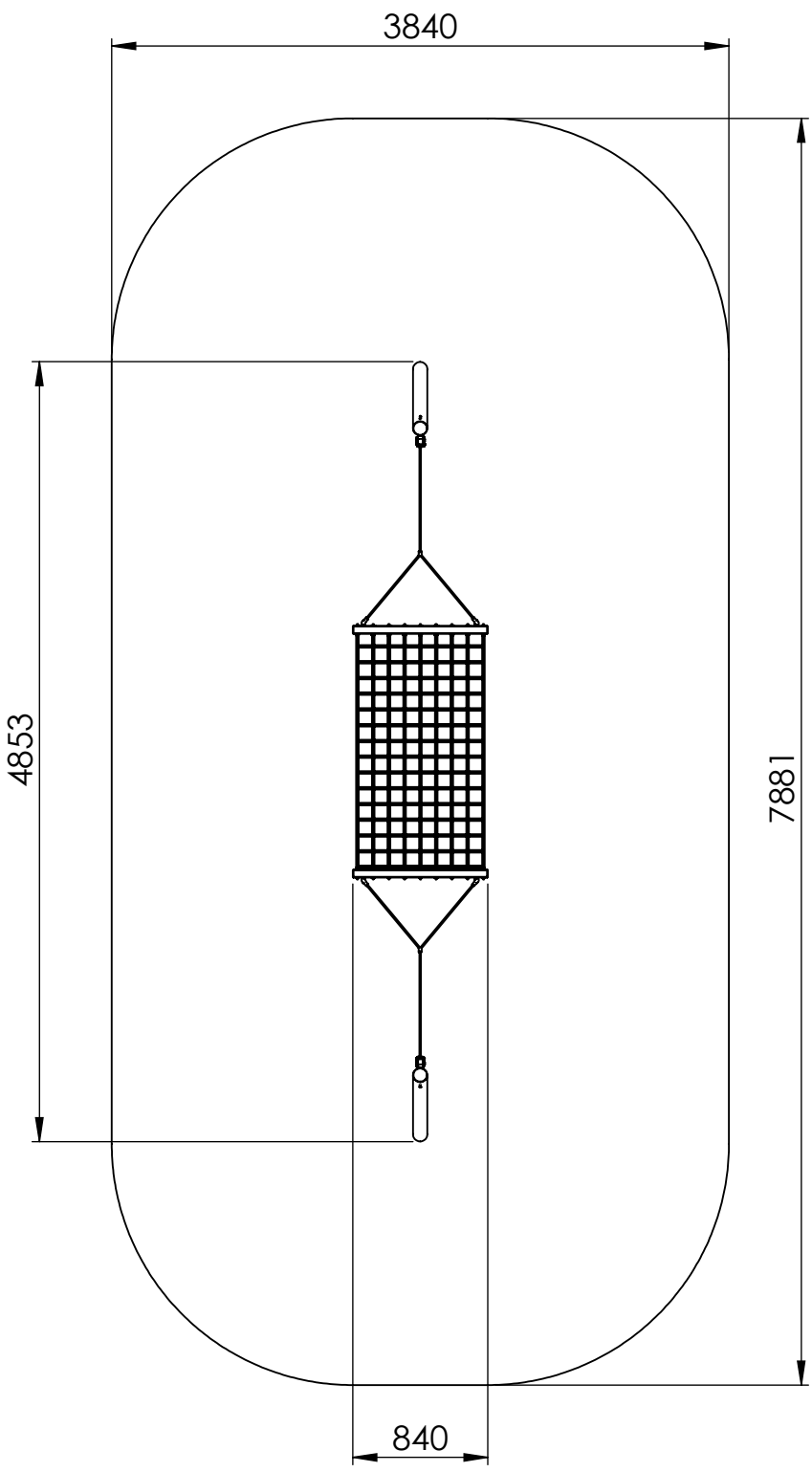
A

B

C

D

E



safety area: 28,33 m<sup>2</sup>

UNLESS OTHERWISE SPECIFIED:  
DIMENSIONS ARE IN MILLIMETERS  
WEIGHT ARE IN KILOGRAMM

PART NUMBER / DWG NO.:  
**K118KRS MF**

	NAME	SIGNATURE	DATE	REVISION
DRAWN	E.Reispere		01.02.2023	
APPV'D				

DESCRIPTION:  
**HAMMOCK STRAW**



MATERIAL:	wood, metal, plastic	A4
WEIGHT:		SCALE: 1:200
		SHEET 2 OF 8

# foundation

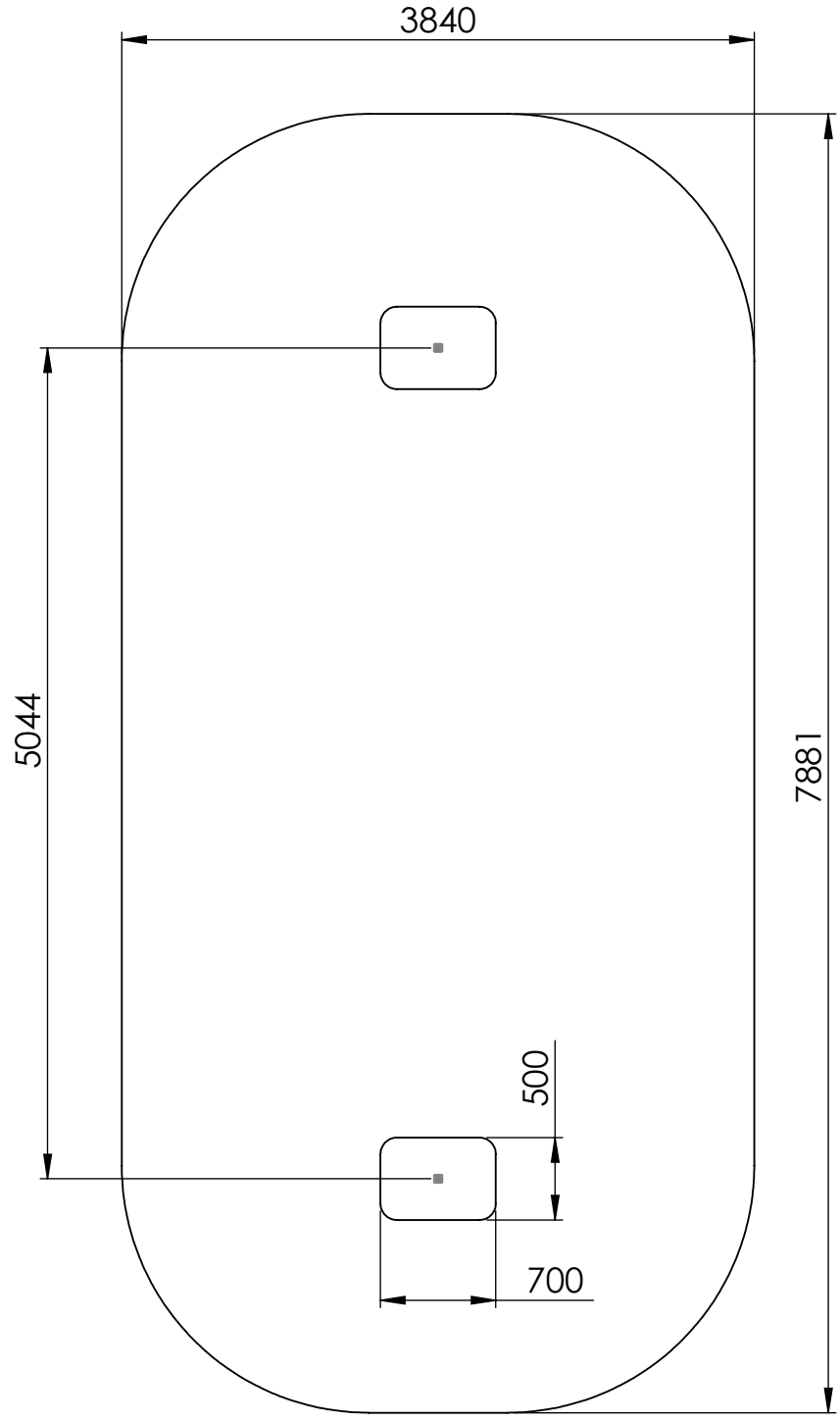
A

B

C

D

E



UNLESS OTHERWISE SPECIFIED:  
 DIMENSIONS ARE IN MILLIMETERS  
 WEIGHT ARE IN KILOGRAMM

PART NUMBER / DWG NO.:  
**K118KRS MF**

	NAME	SIGNATURE	DATE	REVISION
DRAWN	E.Reispere		01.02.2023	
APPV'D				

DESCRIPTION:  
**HAMMOCK STRAW**



MATERIAL: wood, metal, plastic A4

WEIGHT: SCALE: 1:200 SHEET 3 OF 8

# dimensions

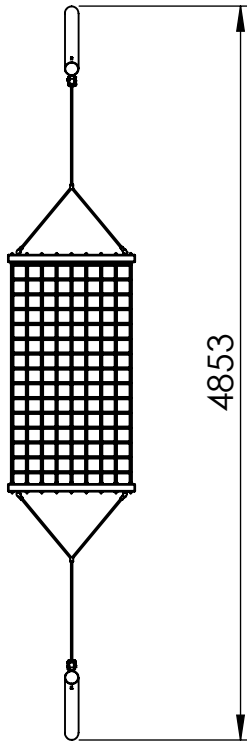
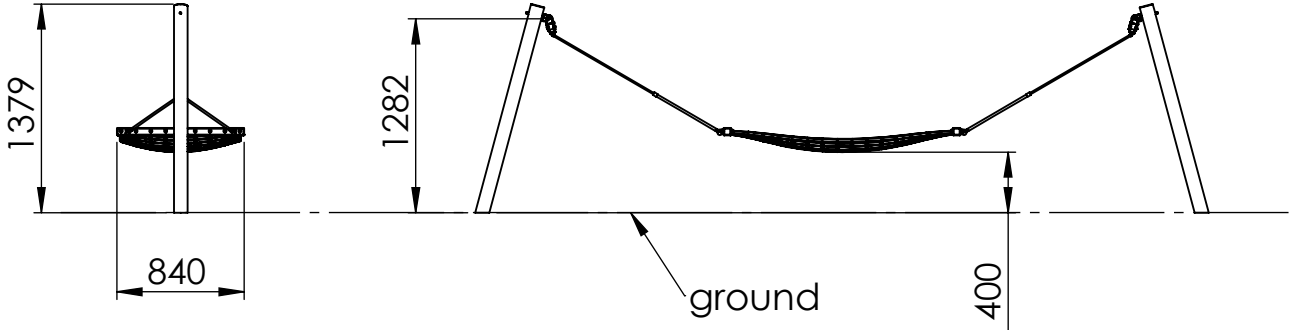
A

B

C

D

E



UNLESS OTHERWISE SPECIFIED: DIMENSIONS ARE IN MILLIMETERS WEIGHT ARE IN KILOGRAMM				
	NAME	SIGNATURE	DATE	REVISION
DRAWN	E.Reispere		01.02.2023	
APPV'D				

PART NUMBER / DWG NO.:  
**K118KRS MF**

DESCRIPTION:  
**HAMMOCK STRAW**

MATERIAL: wood, metal, plastic A4

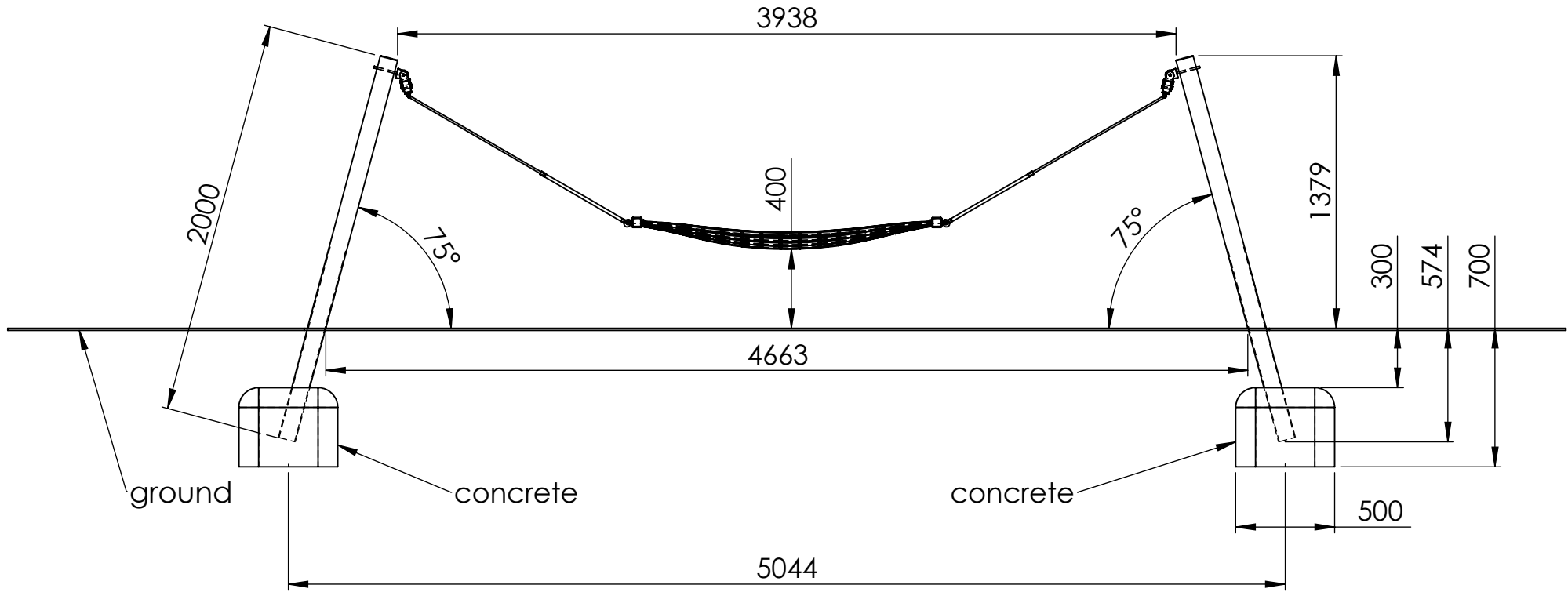
WEIGHT: SCALE: 1:50 SHEET 4 OF 8



**Tiptiptap** OÜ

F

# installation



UNLESS OTHERWISE SPECIFIED:  
DIMENSIONS ARE IN MILLIMETERS  
WEIGHT ARE IN KILOGRAMM

PART NUMBER / DWG NO.:  
**K118KRS MF**

	NAME	SIGNATURE	DATE	REVISION
DRAWN	E.Reispere		01.02.2023	
APPV'D				

DESCRIPTION:  
**HAMMOCK STRAW**



MATERIAL: wood, metal, plastic

WEIGHT: SCALE: 1:50 SHEET 5 OF 8

A

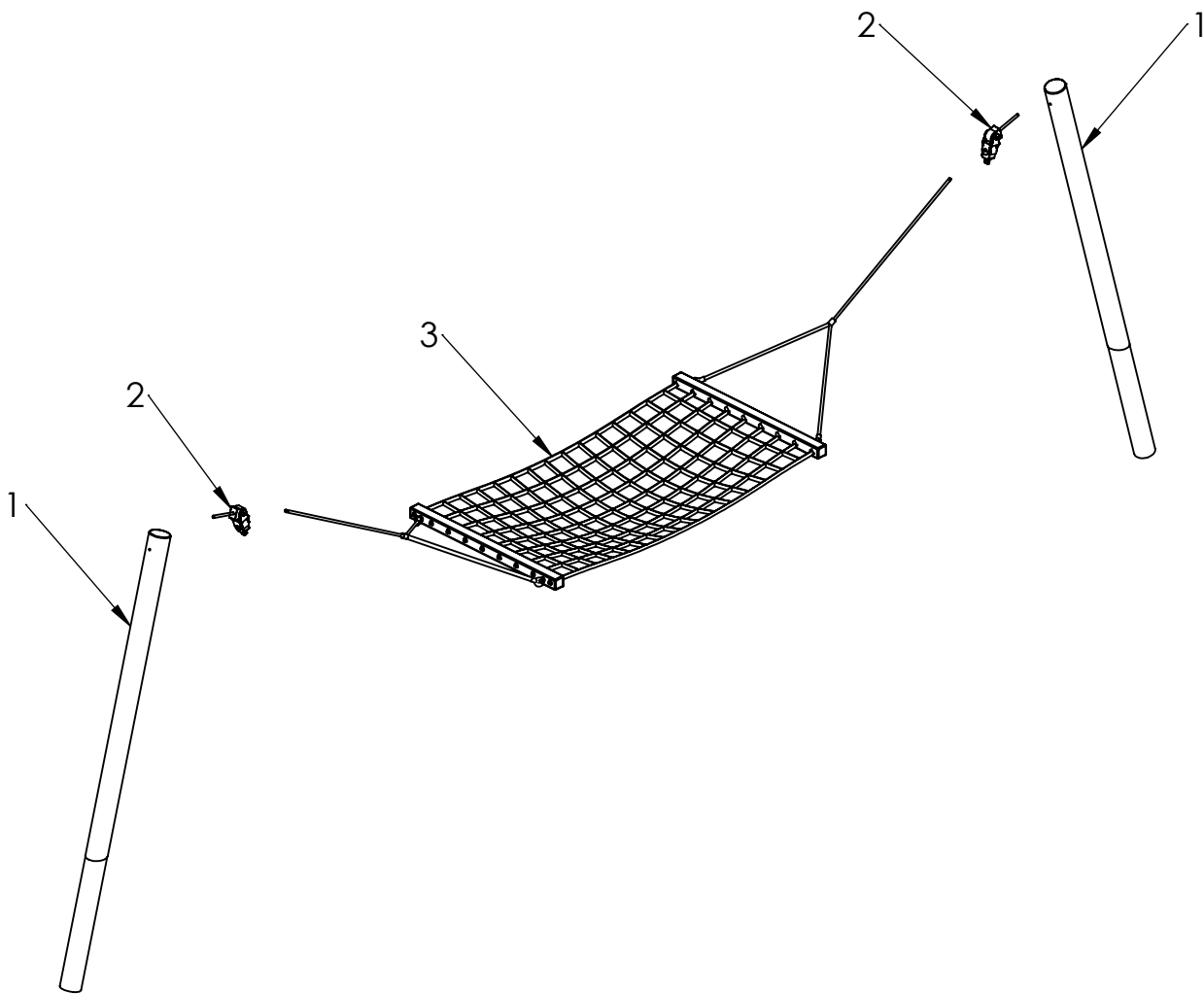
B

C

D

E

F



ITEM NO.	PART NUMBER
1	K118 post 88,9x4x2000
2	K113 bearing
3	K118 hammock

UNLESS OTHERWISE SPECIFIED: DIMENSIONS ARE IN MILLIMETERS WEIGHT ARE IN KILOGRAMM				
	NAME	SIGNATURE	DATE	REVISION
DRAWN	E.Reispere		01.02.2023	
APPV'D				

PART NUMBER / DWG NO.:	K118KRS MF
DESCRIPTION:	HAMMOCK STRAW



MATERIAL:	wood, metal, plastic	A4
WEIGHT:		SCALE: 1:50
		SHEET 6 OF 8

A

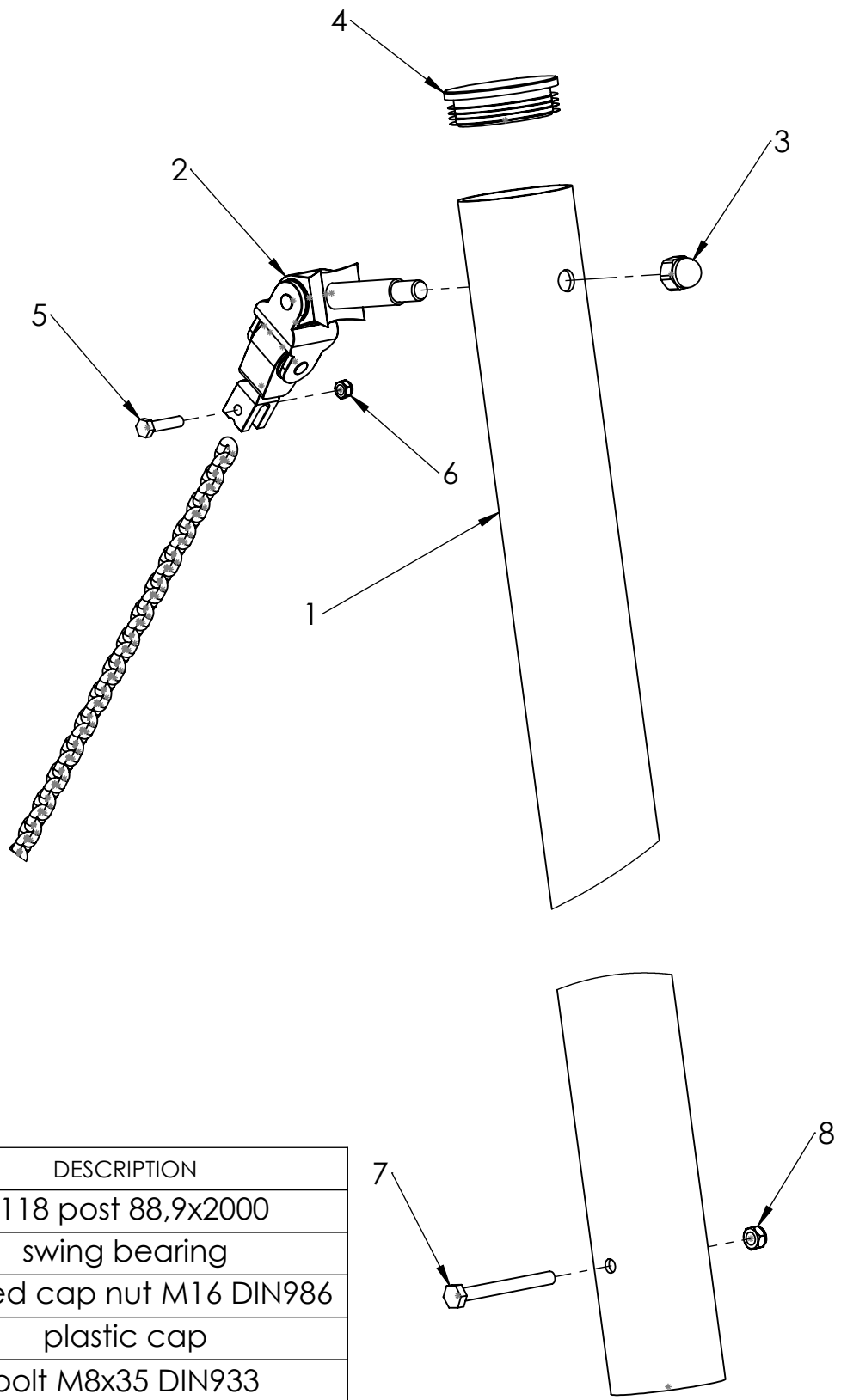
B

C

D

E

F



ITEM NO.	PART NUMBER	DESCRIPTION
1	////	K118 post 88,9x2000
2	41372	swing bearing
3	52012	domed cap nut M16 DIN986
4	32068	plastic cap
5	54080	bolt M8x35 DIN933
6	52006	nut M8 DIN985
7	54007	galvanized steel
8	52007	nut M10 DIN985

UNLESS OTHERWISE SPECIFIED: DIMENSIONS ARE IN MILLIMETERS WEIGHT ARE IN KILOGRAMM				
	NAME	SIGNATURE	DATE	REVISION
DRAWN	E.Reispere		01.02.2023	
APPV'D				

PART NUMBER / DWG NO.:	K118KRS MF
DESCRIPTION:	HAMMOCK STRAW



MATERIAL:	wood, metal, plastic	A4
WEIGHT:		SCALE: 1:50
		SHEET 7 OF 8

# post 88,9 x 2000 (2pc.)

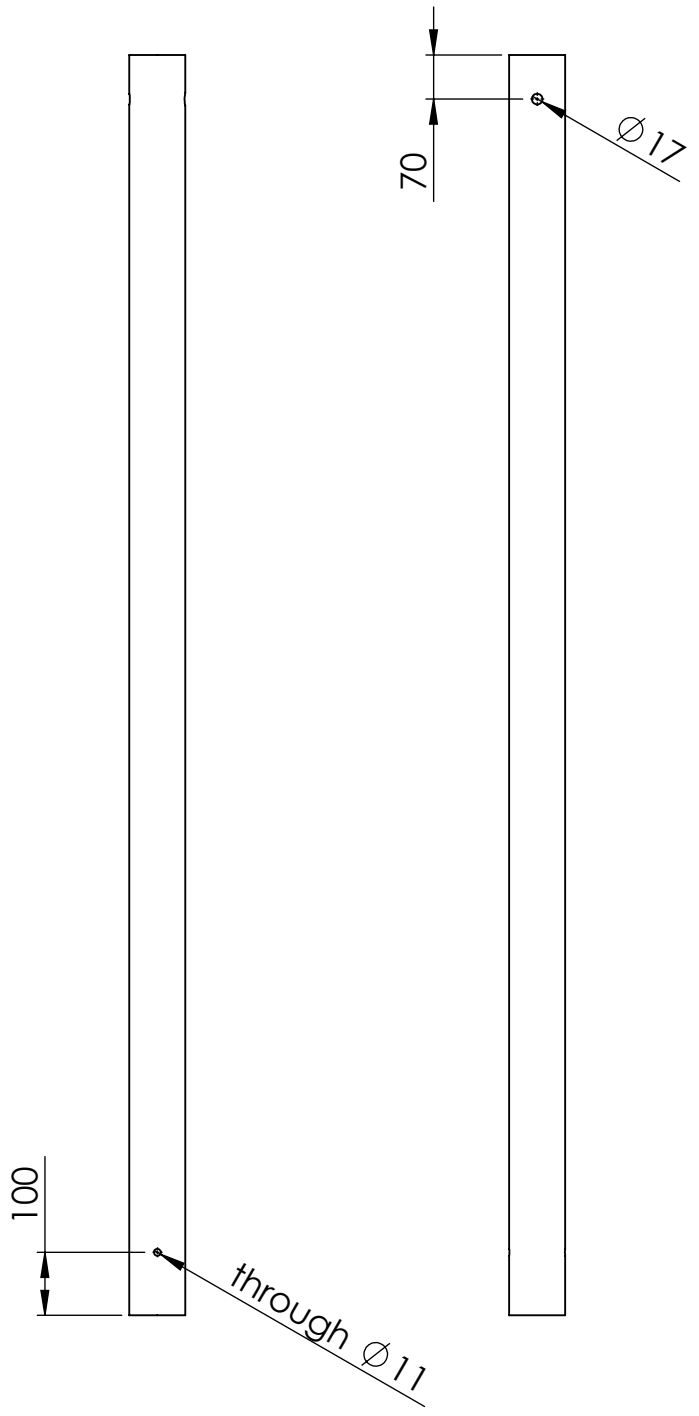
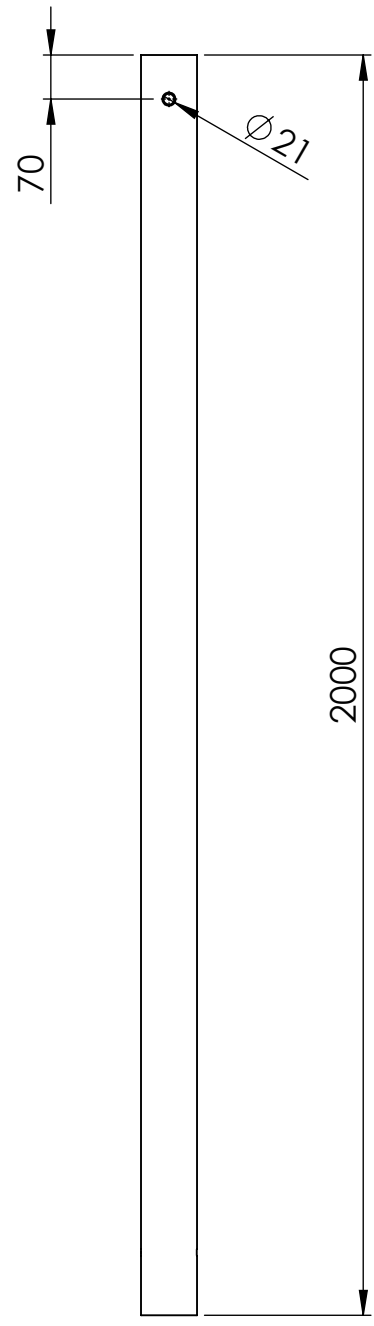
A

B

C

D

E



UNLESS OTHERWISE SPECIFIED:  
 DIMENSIONS ARE IN MILLIMETERS  
 WEIGHT ARE IN KILOGRAMM

PART NUMBER / DWG NO.:  
**K118KRS MF**

	NAME	SIGNATURE	DATE	REVISION
DRAWN	E.Reispere		01.02.2023	
APPV'D				

DESCRIPTION:  
**HAMMOCK STRAW**



MATERIAL:	wood, metal, plastic	A4
WEIGHT:	SCALE: 1:50	SHEET 8 OF 8