

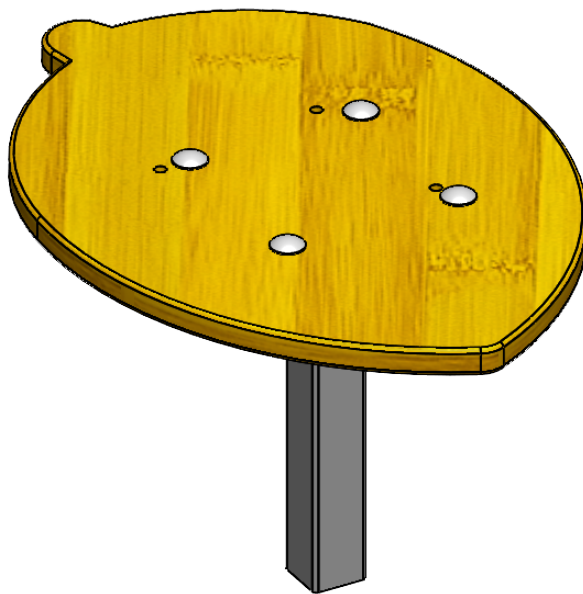
A

B

C

D

E



UNLESS OTHERWISE SPECIFIED:  
 DIMENSIONS ARE IN MILLIMETERS  
 WEIGHT ARE IN KILOGRAMM

PART NUMBER / DWG NO.:

TKR602

	NAME	SIGNATURE	DATE	REVISION
DRAWN	E.Reispere		25.09.2024	
APPV'D				

DESCRIPTION:

Balance step LEAF

F



Tiptiptap<sup>00</sup>

MATERIAL:

wood, metal, plastic

A4

WEIGHT:

SCALE: 1:10

SHEET 1 OF 4

A

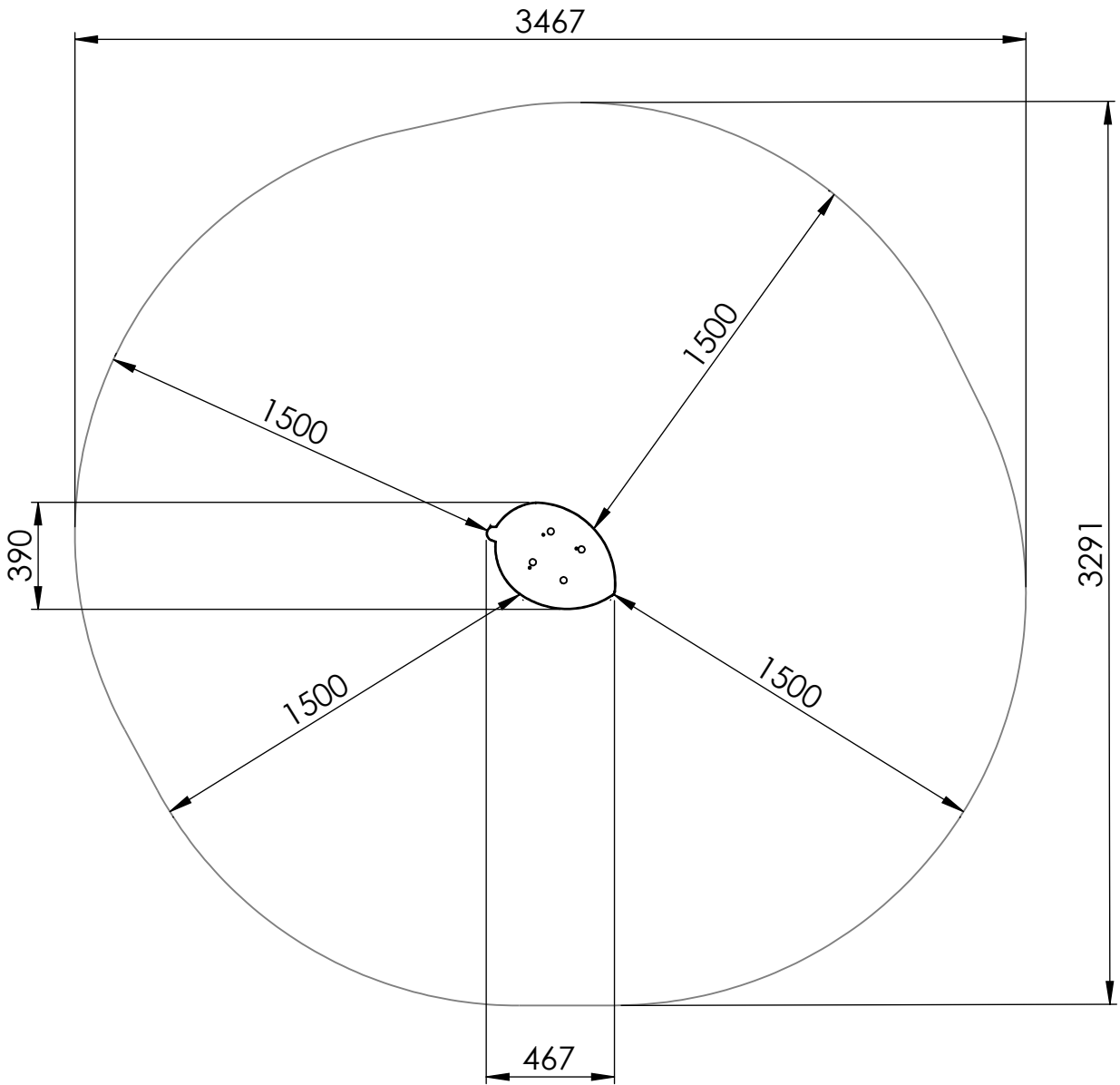
# safety area

B

C

D

E



safety area: 9,04 m<sup>2</sup>

UNLESS OTHERWISE SPECIFIED:  
 DIMENSIONS ARE IN MILLIMETERS  
 WEIGHT ARE IN KILOGRAMM

PART NUMBER / DWG NO.:

TKR602

	NAME	SIGNATURE	DATE	REVISION
DRAWN	E.Reispere		25.09.2024	
APPV'D				

DESCRIPTION:

Balance step LEAF

F



Tiptiptap <sup>OO</sup>

MATERIAL:

wood, metal, plastic

A4

WEIGHT:

SCALE: 1:10

SHEET 2 OF 4

# foundation

A

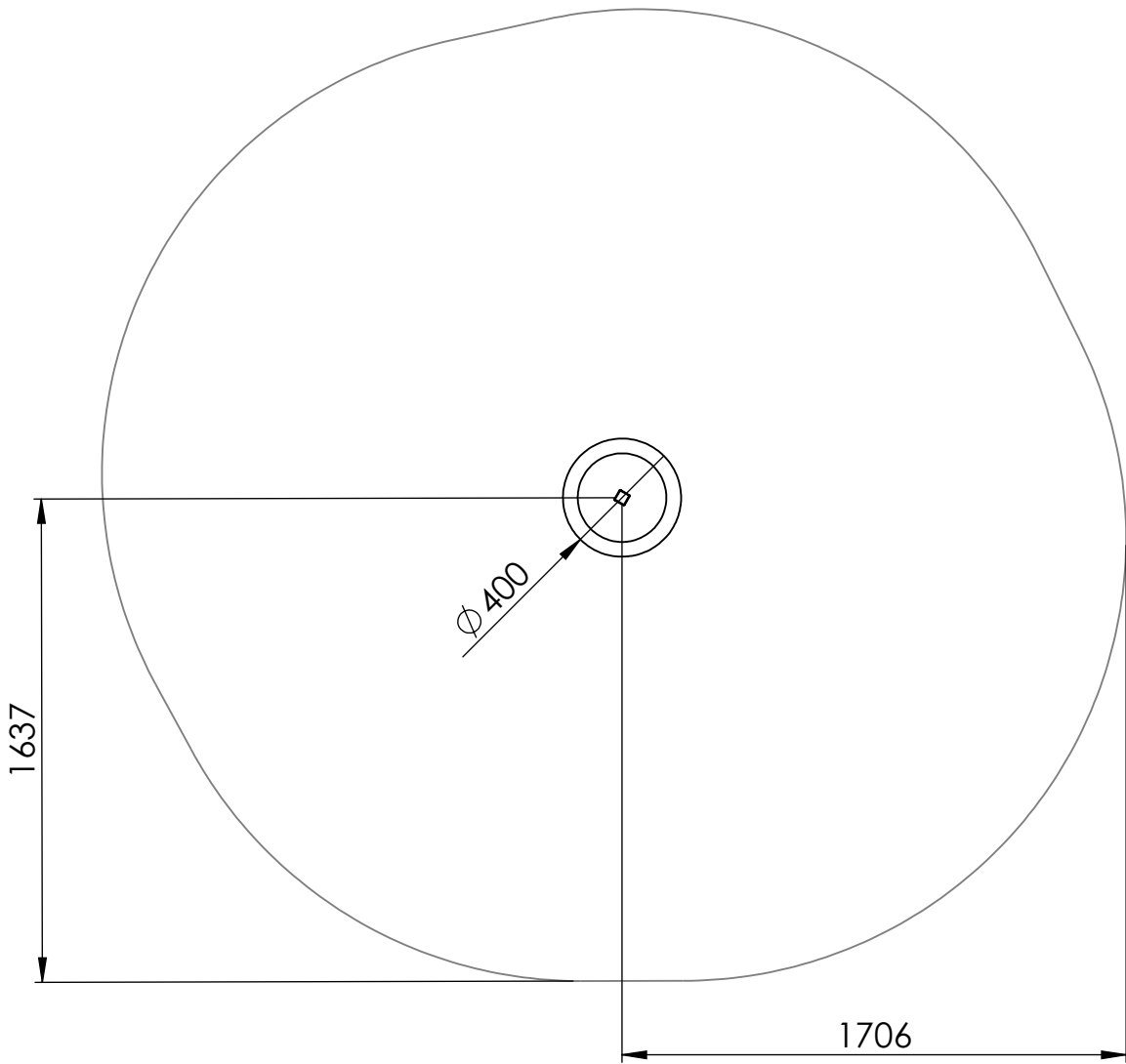
B

C

D

E

F



UNLESS OTHERWISE SPECIFIED:  
 DIMENSIONS ARE IN MILLIMETERS  
 WEIGHT ARE IN KILOGRAMM

PART NUMBER / DWG NO.:  
**TKR602**

	NAME	SIGNATURE	DATE	REVISION
DRAWN	E.Reispere		25.09.2024	
APPV'D				

DESCRIPTION:  
**Balance step LEAF**



MATERIAL:	wood, metal, plastic	A4
WEIGHT:		SCALE: 1:10
		SHEET 3 OF 4

A

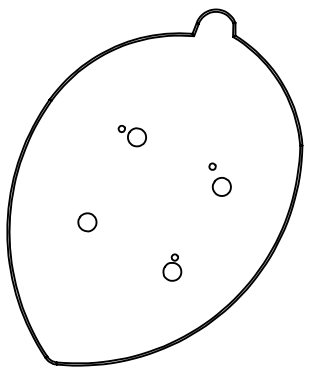
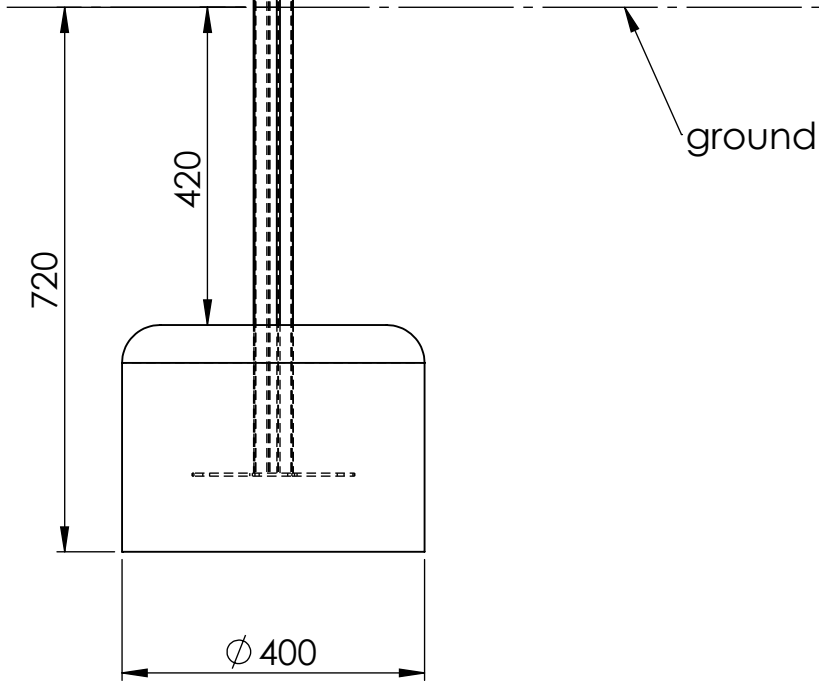
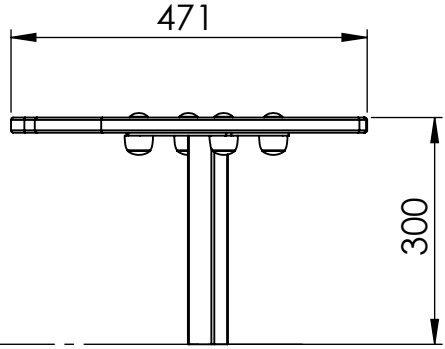
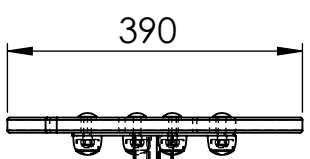
B

C

D

E

F



UNLESS OTHERWISE SPECIFIED:  
 DIMENSIONS ARE IN MILLIMETERS  
 WEIGHT ARE IN KILOGRAMM

PART NUMBER / DWG NO.:  
**TKR602**

	NAME	SIGNATURE	DATE	REVISION
DRAWN	E.Reispere		25.09.2024	
APPV'D				

DESCRIPTION:  
**Balance step LEAF**



MATERIAL:	wood, metal, plastic	A4
WEIGHT:	SCALE: 1:10	SHEET 4 OF 4