

A

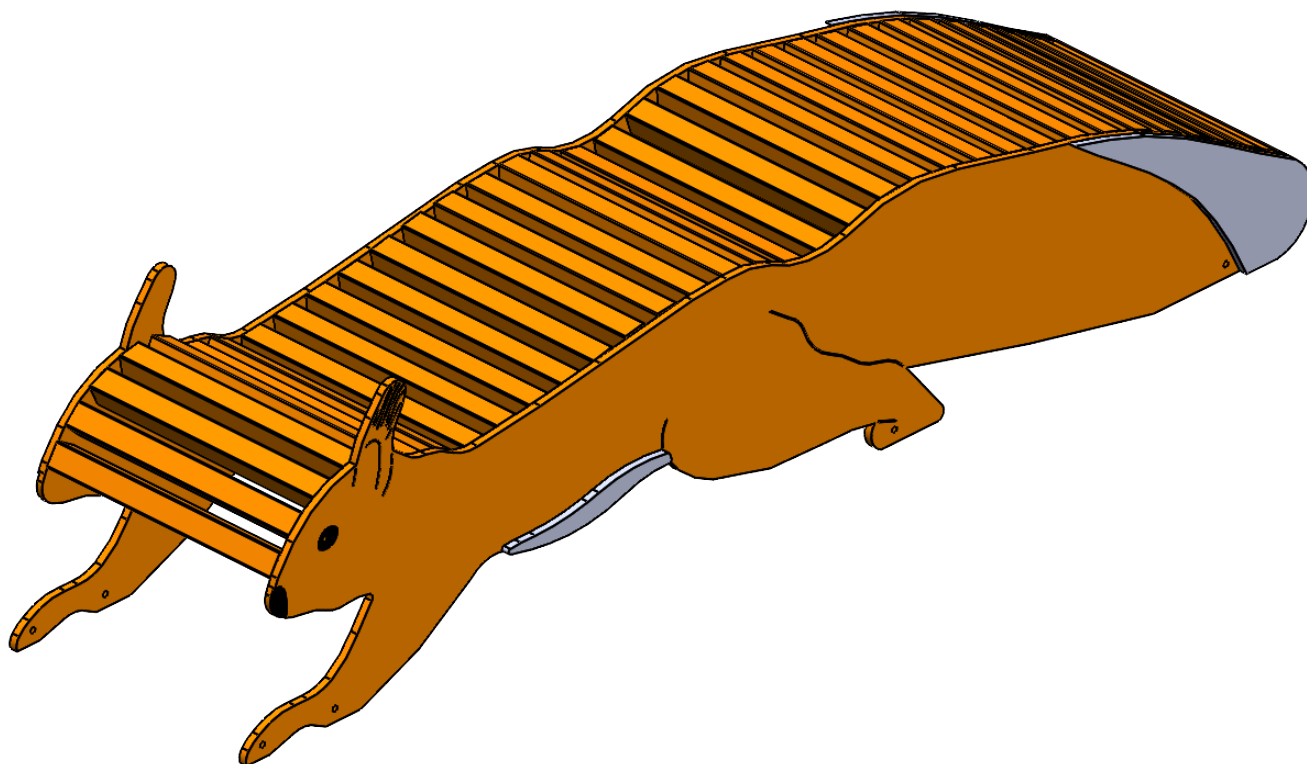
B

C

D

E

F



UNLESS OTHERWISE SPECIFIED:
 DIMENSIONS ARE IN MILLIMETERS
 WEIGHT ARE IN KILOGRAMM

PART NUMBER / DWG NO.:

PLP200

	NAME	SIGNATURE	DATE	REVISION
DRAWN	E.Reispere		18.10.2022	
APPV'D				

DESCRIPTION:

SCIURUS



Tiptiptap^{oü}

MATERIAL:

wood, metal, plastic

A4

WEIGHT:

SCALE: 1:50

SHEET 1 OF 8

safety area

A

B

C

D

E

3530

2379

5379

530

safety area: 17,05 m²

UNLESS OTHERWISE SPECIFIED:
DIMENSIONS ARE IN MILLIMETERS
WEIGHT ARE IN KILOGRAMM

PART NUMBER / DWG NO.:
PLP200

	NAME	SIGNATURE	DATE	REVISION
DRAWN	E.Reispere		18.10.2022	
APPV'D				

DESCRIPTION:
SCIURUS



MATERIAL:	wood, metal, plastic	A4
-----------	----------------------	----

WEIGHT:	SCALE: 1:50	SHEET 2 OF 8
---------	-------------	--------------

foundation

A

B

C

D

E

3530

1255

744

546

5379

Ø 300

UNLESS OTHERWISE SPECIFIED:
DIMENSIONS ARE IN MILLIMETERS
WEIGHT ARE IN KILOGRAMM

PART NUMBER / DWG NO.:
PLP200

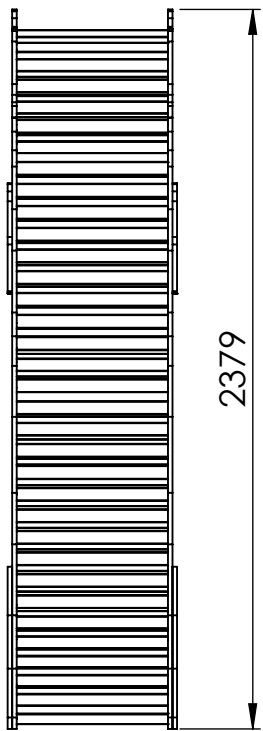
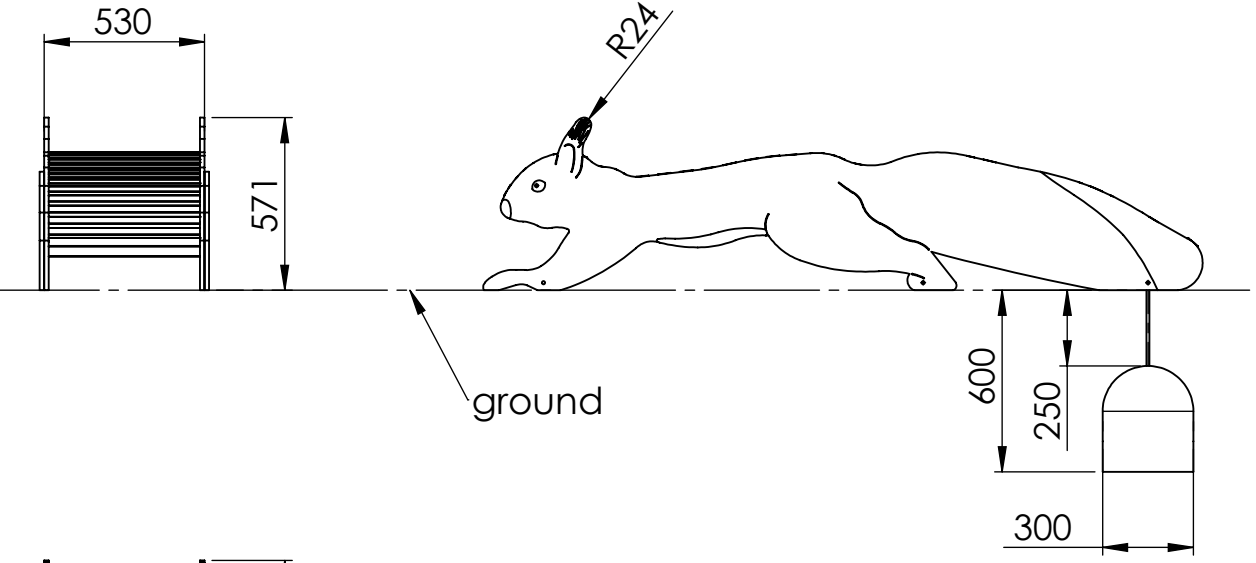
	NAME	SIGNATURE	DATE	REVISION
DRAWN	E.Reispere		18.10.2022	
APPV'D				

DESCRIPTION:
SCIURUS



MATERIAL:	wood, metal, plastic	A4
-----------	----------------------	----

WEIGHT:	SCALE: 1:50	SHEET 3 OF 8
---------	-------------	--------------



UNLESS OTHERWISE SPECIFIED: DIMENSIONS ARE IN MILLIMETERS WEIGHT ARE IN KILOGRAMM				
	NAME	SIGNATURE	DATE	REVISION
DRAWN	E.Reispere		18.10.2022	
APPV'D				

PART NUMBER / DWG NO.:	PLP200
DESCRIPTION:	SCIURUS



MATERIAL:	wood, metal, plastic	A4
WEIGHT:	SCALE: 1:25	SHEET 4 OF 8

A

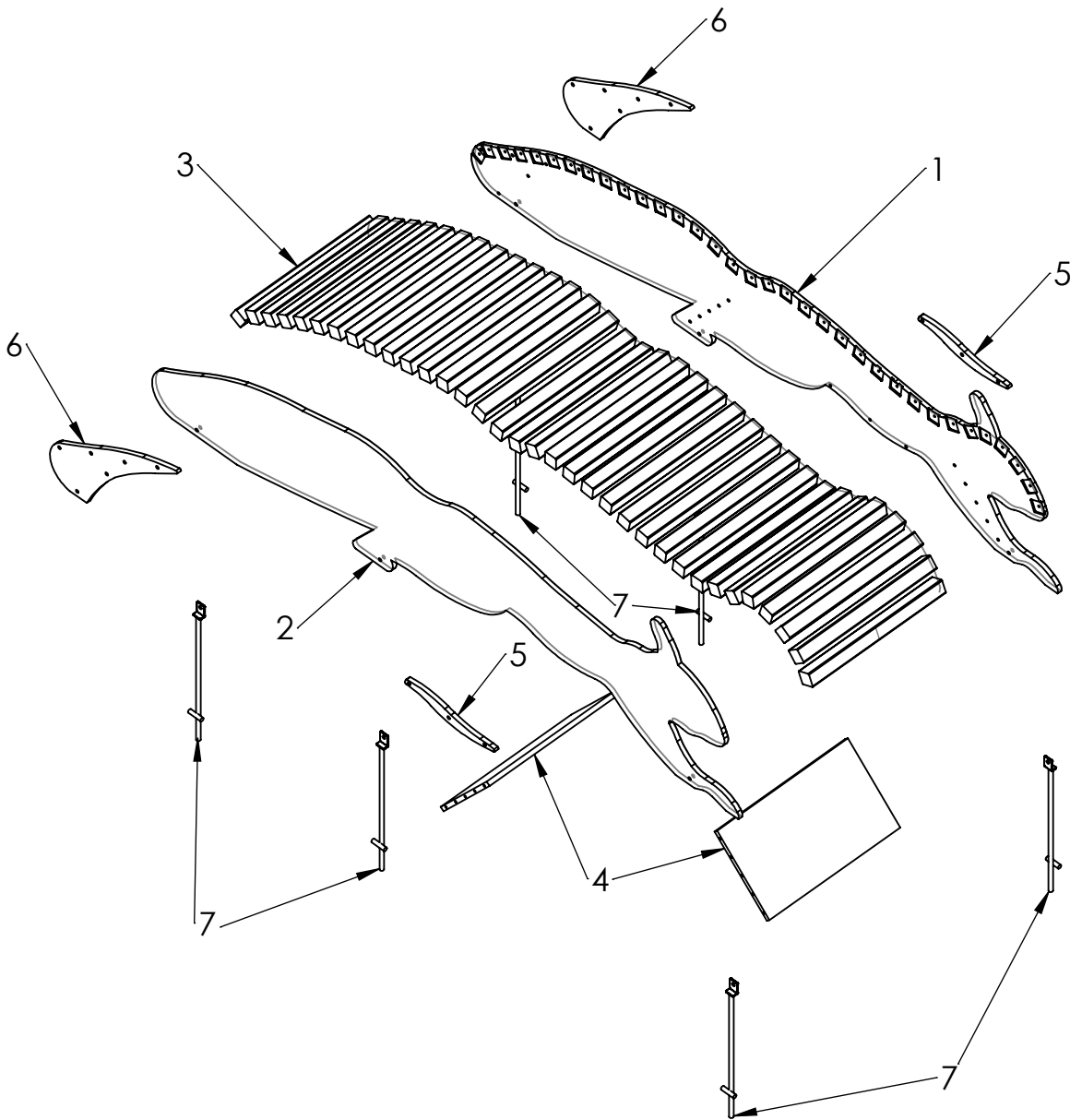
B

C

D

E

F



ITEM NO.	PART NUMBER
1	PLP200 body panel 1
2	PLP200 body panel 2
3	PLP200 beam 45x45x540
4	PLP200 support panel 530x300
5	PLP200 body panel
6	PLP200 tail panel
7	ground fixing L-shape

UNLESS OTHERWISE SPECIFIED:
 DIMENSIONS ARE IN MILLIMETERS
 WEIGHT ARE IN KILOGRAMM

PART NUMBER / DWG NO.: **PLP200**

	NAME	SIGNATURE	DATE	REVISION
DRAWN	E.Reispere		18.10.2022	
APPV'D				

DESCRIPTION: **SCIURUS**



MATERIAL:	wood, metal, plastic	A4
WEIGHT:		SCALE: 1:50
		SHEET 5 OF 8

A

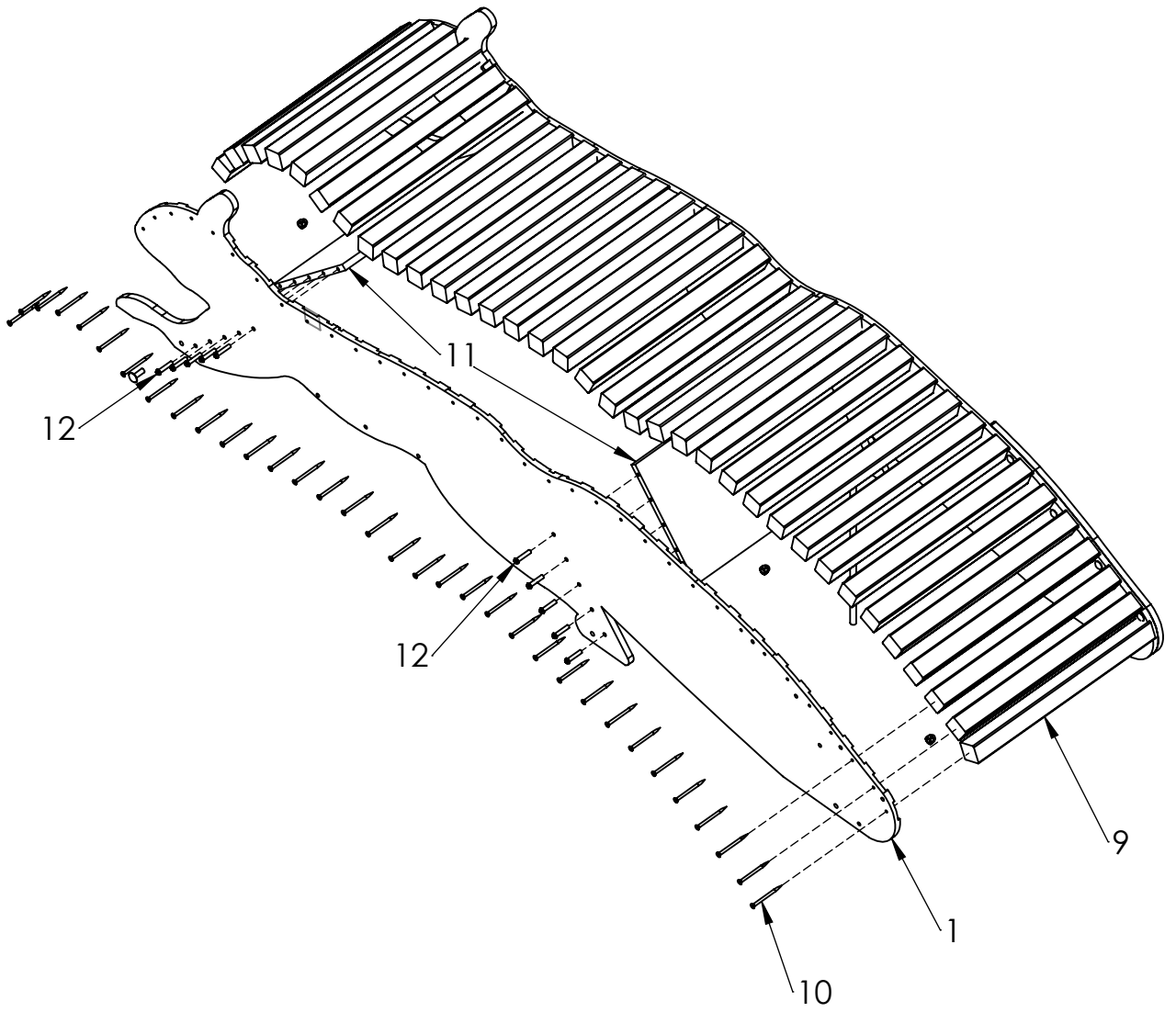
B

C

D

E

F



ITEM NO.	PART NUMBER
1	PLP200 body panel 1
9	PLP200 beam 45x45x540
10	wood screw 6 x 90
11	PLP200 support panel 530x300
12	bolt DIN7380 M8x40 TX-pn

UNLESS OTHERWISE SPECIFIED: DIMENSIONS ARE IN MILLIMETERS WEIGHT ARE IN KILOGRAMM				
	NAME	SIGNATURE	DATE	REVISION
DRAWN	E.Reispere		18.10.2022	
APPVD				

PART NUMBER / DWG NO.:	PLP200
DESCRIPTION:	SCIURUS



MATERIAL:	wood, metal, plastic	A4
WEIGHT:	SCALE: 1:50	SHEET 6 OF 8

A

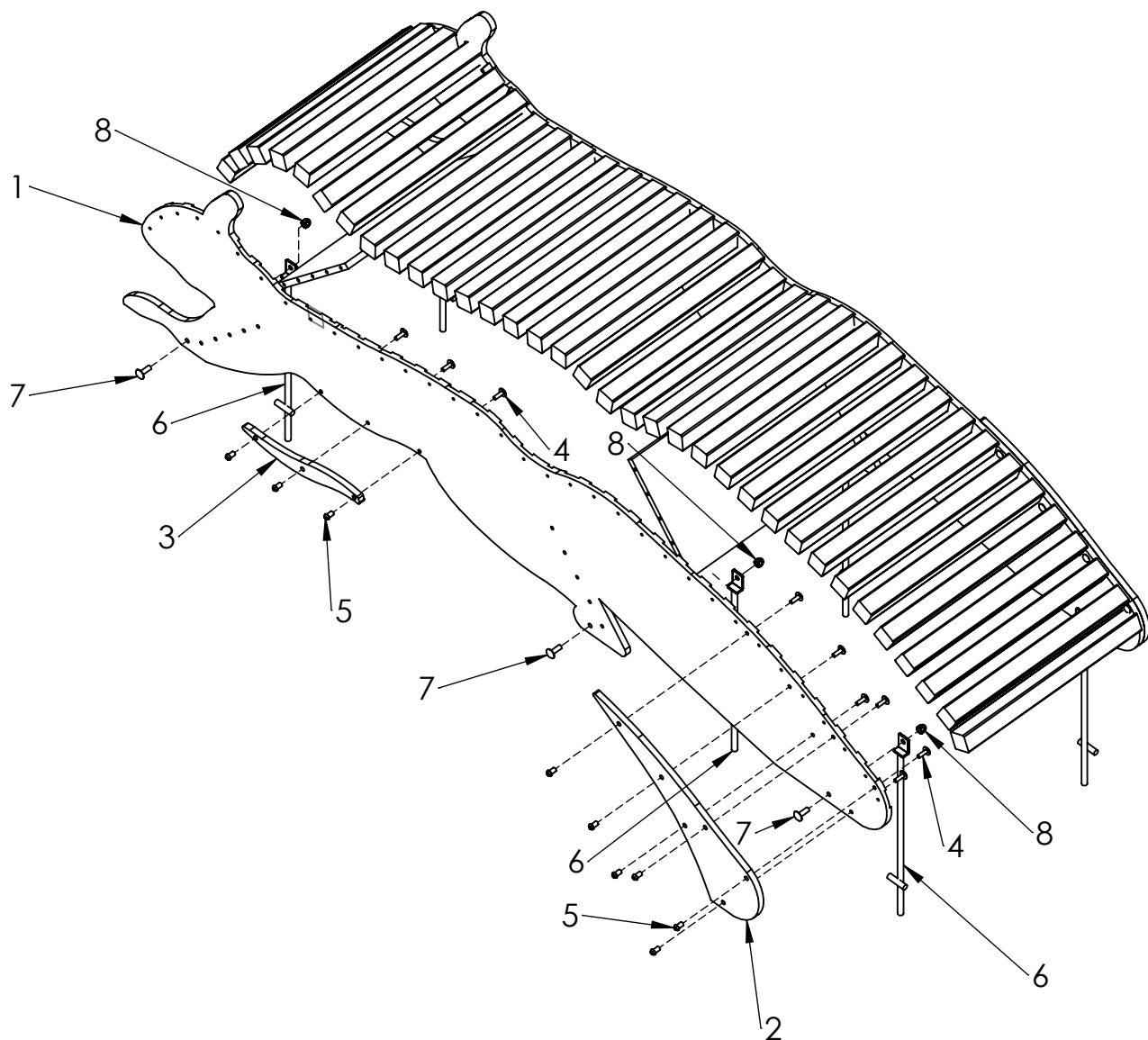
B

C

D

E

F



ITEM NO.	PART NUMBER
1	PLP200 body panel 1
2	PLP200 tail panel
3	PLP200 body panel
4	bolt M8x25 DIN603
5	pin torx nut M18x16 DIN7380
6	ground fixing L-shape
7	bolt M10x30 DIN603
8	domed cap nut M10 DIN986

UNLESS OTHERWISE SPECIFIED:
DIMENSIONS ARE IN MILLIMETERS
WEIGHT ARE IN KILOGRAMM

PART NUMBER / DWG NO.:

PLP200

	NAME	SIGNATURE	DATE	REVISION
DRAWN	E.Reispere		18.10.2022	
APPV'D				

DESCRIPTION:

SCIURUS

MATERIAL:

wood, metal, plastic

A4

WEIGHT:

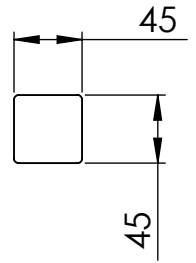
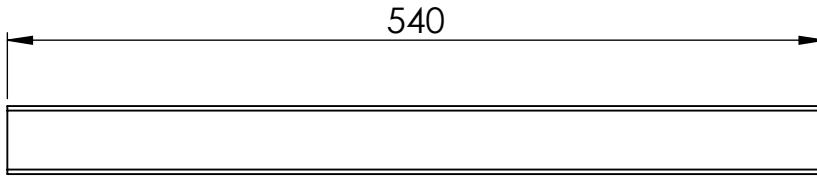
SCALE: 1:50

SHEET 7 OF 8



Tiptiptap OÜ

puittala - 34tk



UNLESS OTHERWISE SPECIFIED:
DIMENSIONS ARE IN MILLIMETERS
WEIGHT ARE IN KILOGRAMM

PART NUMBER / DWG NO.:

PLP200

	NAME	SIGNATURE	DATE	REVISION
DRAWN	E.Reispere		18.10.2022	
APPV'D				

DESCRIPTION:

SCIURUS



Tiptiptap OÜ

Tiptiptap OÜ
Veetorni 9,
Jüri alevik, Rae vald,
75301 Harjumaa

MATERIAL:

wood, metal, plastic

A4

WEIGHT:

SCALE: 1:50

SHEET 8 OF 8