

A

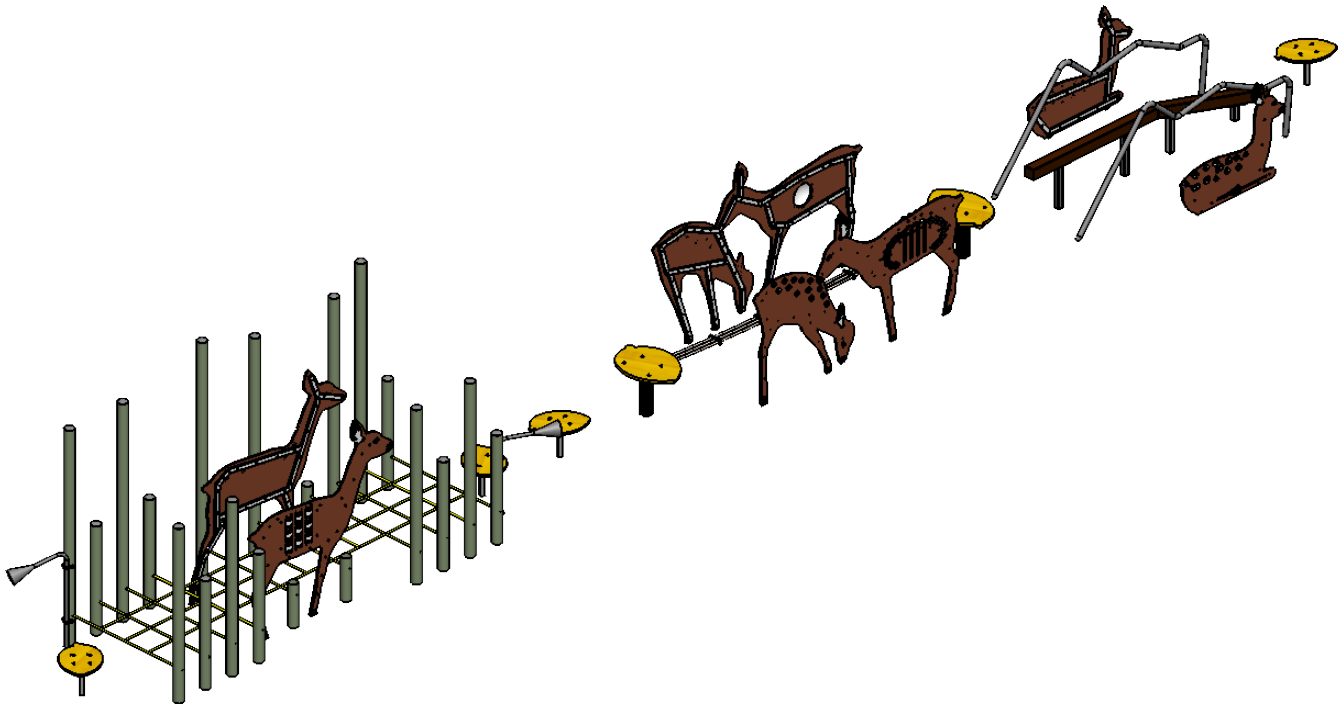
B

C

D

E

F



UNLESS OTHERWISE SPECIFIED:
 DIMENSIONS ARE IN MILLIMETERS
 WEIGHT ARE IN KILOGRAMM

PART NUMBER / DWG NO.:

TKR601

| | NAME | SIGNATURE | DATE | REVISION |
|--------|------------|-----------|------------|----------|
| DRAWN | E.Reispere | | 02.07.2024 | |
| APPV'D | | | | |

DESCRIPTION:

DEER TRAIL



Tiptiptap⁰⁰

MATERIAL:

wood, metal, plastic

A4

WEIGHT:

SCALE: 1:200

SHEET 1 OF 29

safety area

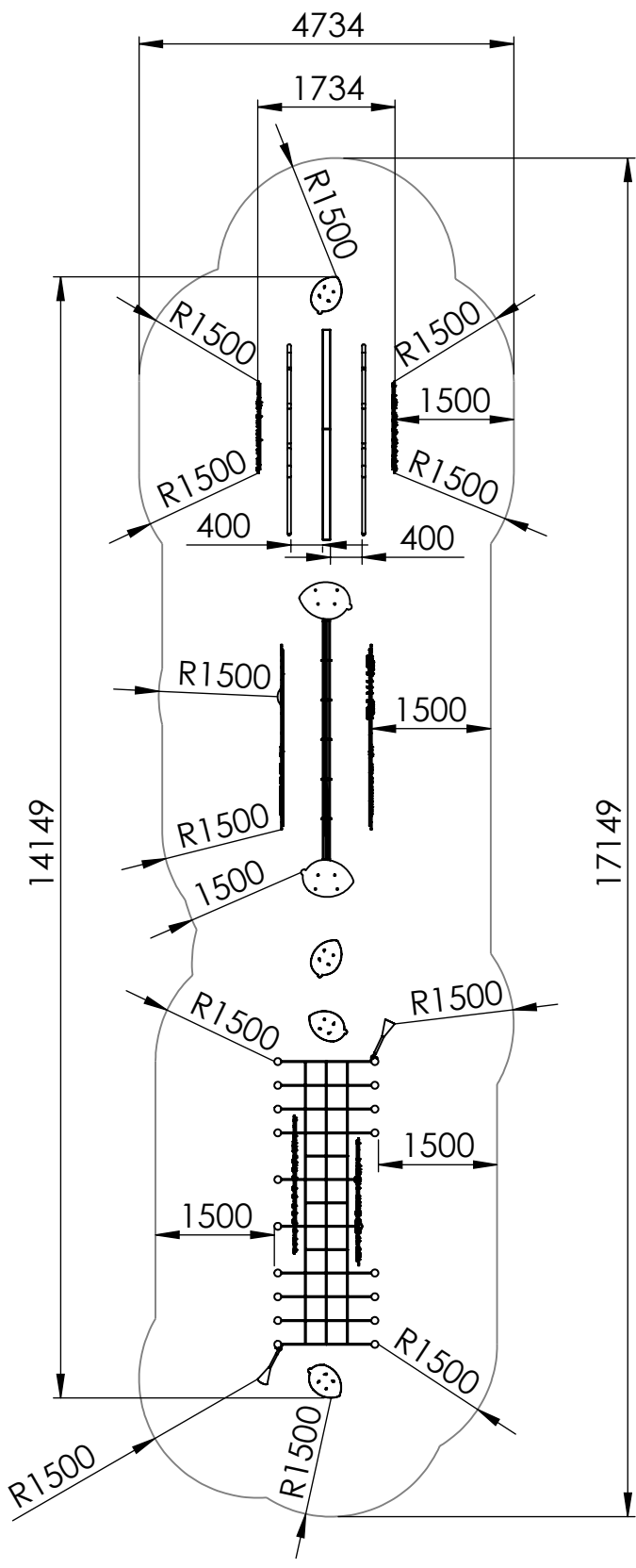
A

B

C

D

E



safety area: 65,47 m²

| | | | | |
|---|------------|-----------|------------|----------|
| UNLESS OTHERWISE SPECIFIED: DIMENSIONS ARE IN MILLIMETERS WEIGHT ARE IN KILOGRAMM | | | | |
| | NAME | SIGNATURE | DATE | REVISION |
| DRAWN | E.Reispere | | 02.07.2024 | |
| APPV'D | | | | |

| | |
|------------------------|------------|
| PART NUMBER / DWG NO.: | TKR601 |
| DESCRIPTION: | DEER TRAIL |



| | | |
|-----------|----------------------|---------------|
| MATERIAL: | wood, metal, plastic | A4 |
| WEIGHT: | | SCALE: 1:200 |
| | | SHEET 2 OF 29 |

foundation 1/4

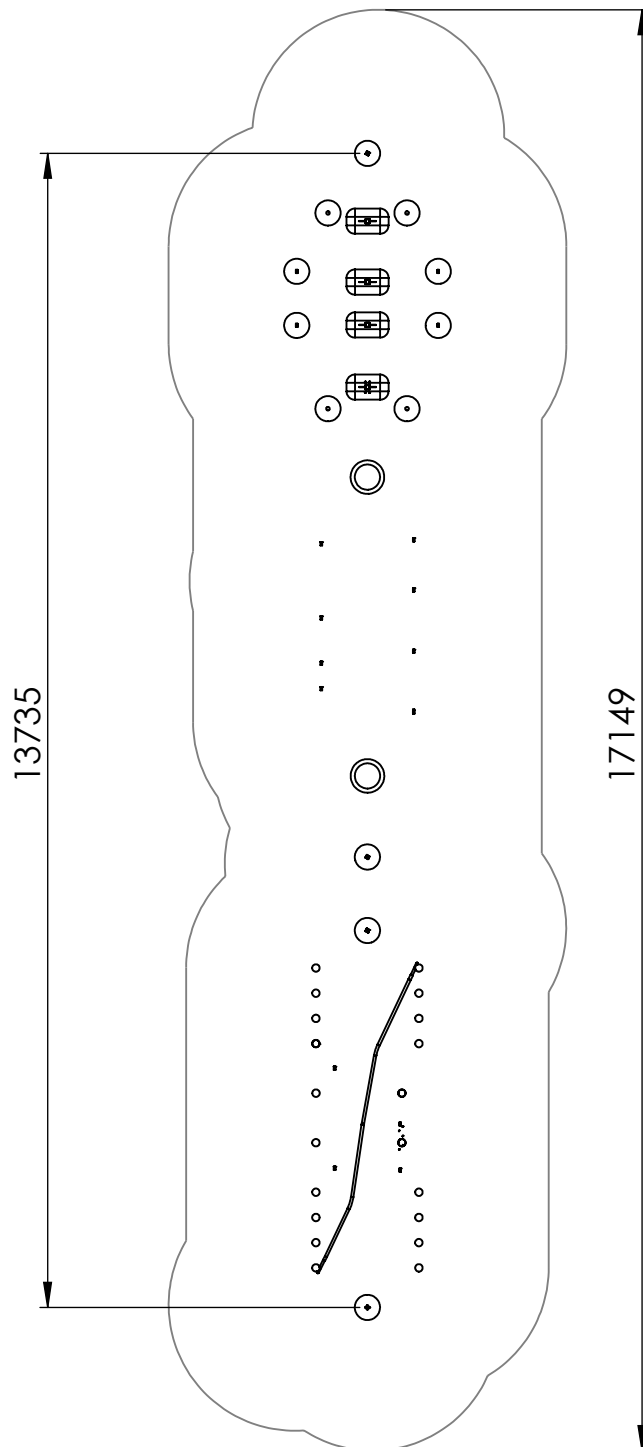
A

B

C

D

E



UNLESS OTHERWISE SPECIFIED:
 DIMENSIONS ARE IN MILLIMETERS
 WEIGHT ARE IN KILOGRAMM

PART NUMBER / DWG NO.:

TKR601

| | NAME | SIGNATURE | DATE | REVISION |
|--------|------------|-----------|------------|----------|
| DRAWN | E.Reispere | | 02.07.2024 | |
| APPV'D | | | | |

DESCRIPTION:

DEER TRAIL



Tiptiptap^{oü}

MATERIAL:

wood, metal, plastic

A4

WEIGHT:

SCALE: 1:200

SHEET 3 OF 29

foundation 2/4

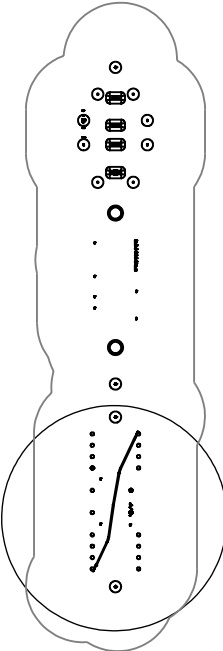
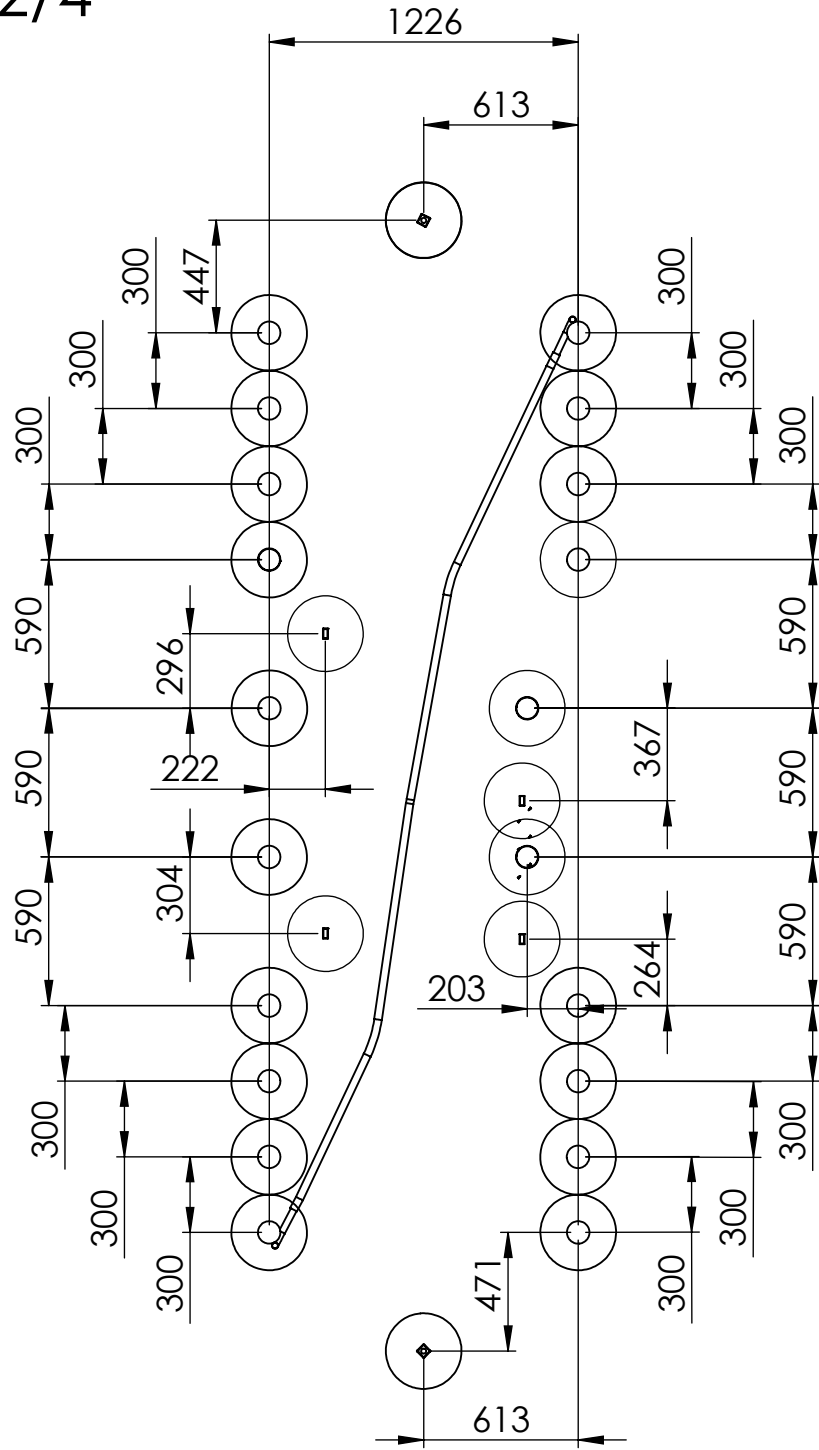
A

B

C

D

E



DETAIL C

| | | | | |
|---|------------|-----------|------------|----------|
| UNLESS OTHERWISE SPECIFIED: DIMENSIONS ARE IN MILLIMETERS WEIGHT ARE IN KILOGRAMM | | | | |
| | NAME | SIGNATURE | DATE | REVISION |
| DRAWN | E.Reispere | | 02.07.2024 | |
| APPV'D | | | | |

| | |
|------------------------|------------|
| PART NUMBER / DWG NO.: | TKR601 |
| DESCRIPTION: | DEER TRAIL |



| | | |
|--------------|----------------------|---------------|
| MATERIAL: | wood, metal, plastic | A4 |
| WEIGHT: | | SHEET 4 OF 29 |
| SCALE: 1:200 | | |

foundation 3/4

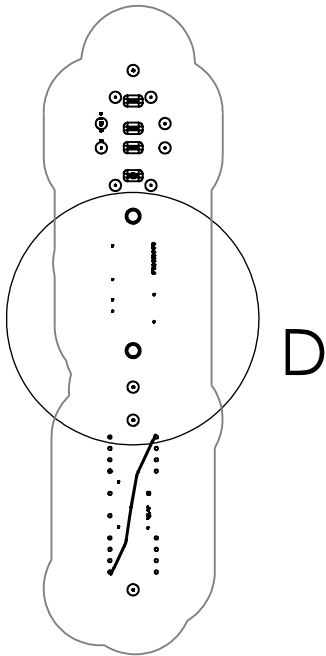
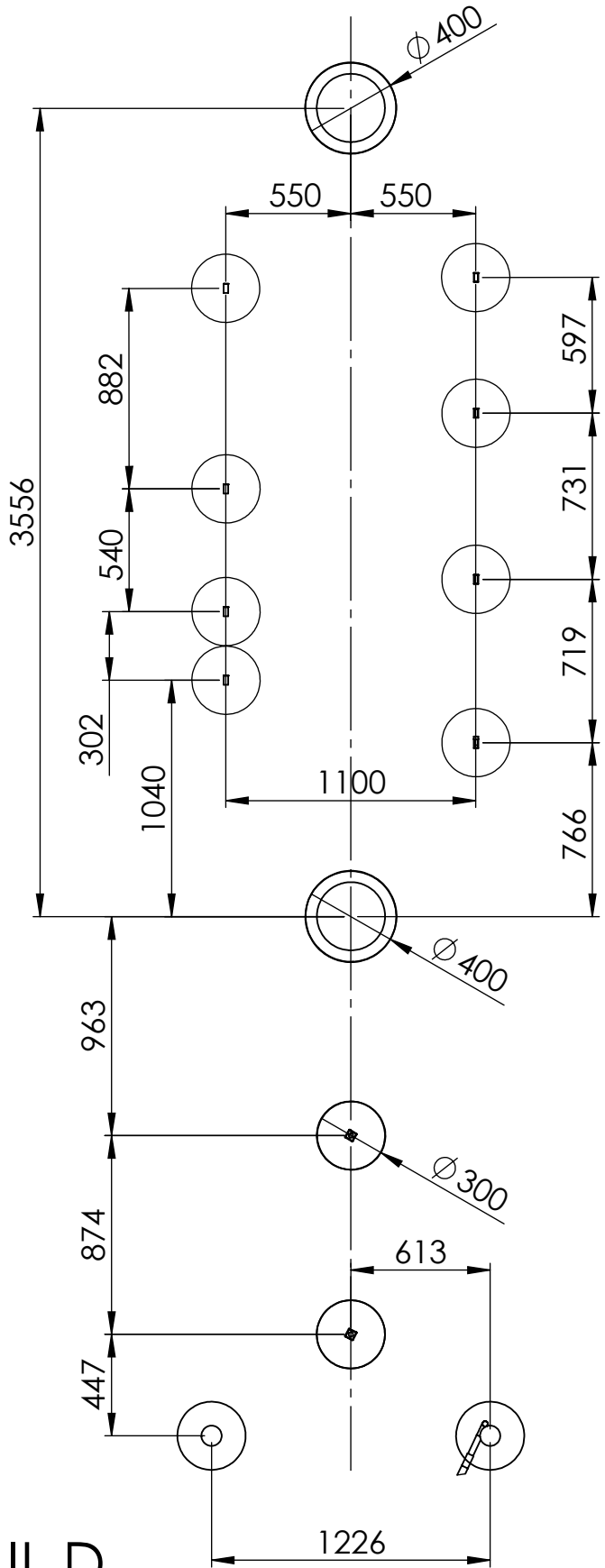
A

B

C

D

E



DETAIL D

UNLESS OTHERWISE SPECIFIED:
DIMENSIONS ARE IN MILLIMETERS
WEIGHT ARE IN KILOGRAMM

PART NUMBER / DWG NO.:

TKR601

| | NAME | SIGNATURE | DATE | REVISION |
|--------|------------|-----------|------------|----------|
| DRAWN | E.Reispere | | 02.07.2024 | |
| APPV'D | | | | |

DESCRIPTION:

DEER TRAIL

MATERIAL:

wood, metal, plastic

A4

WEIGHT:

SCALE: 1:200

SHEET 5 OF 29



Tiptiptap OÜ

foundation 4/4

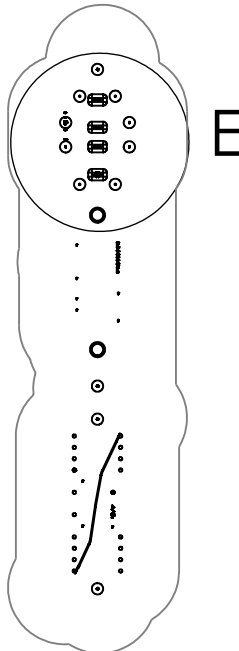
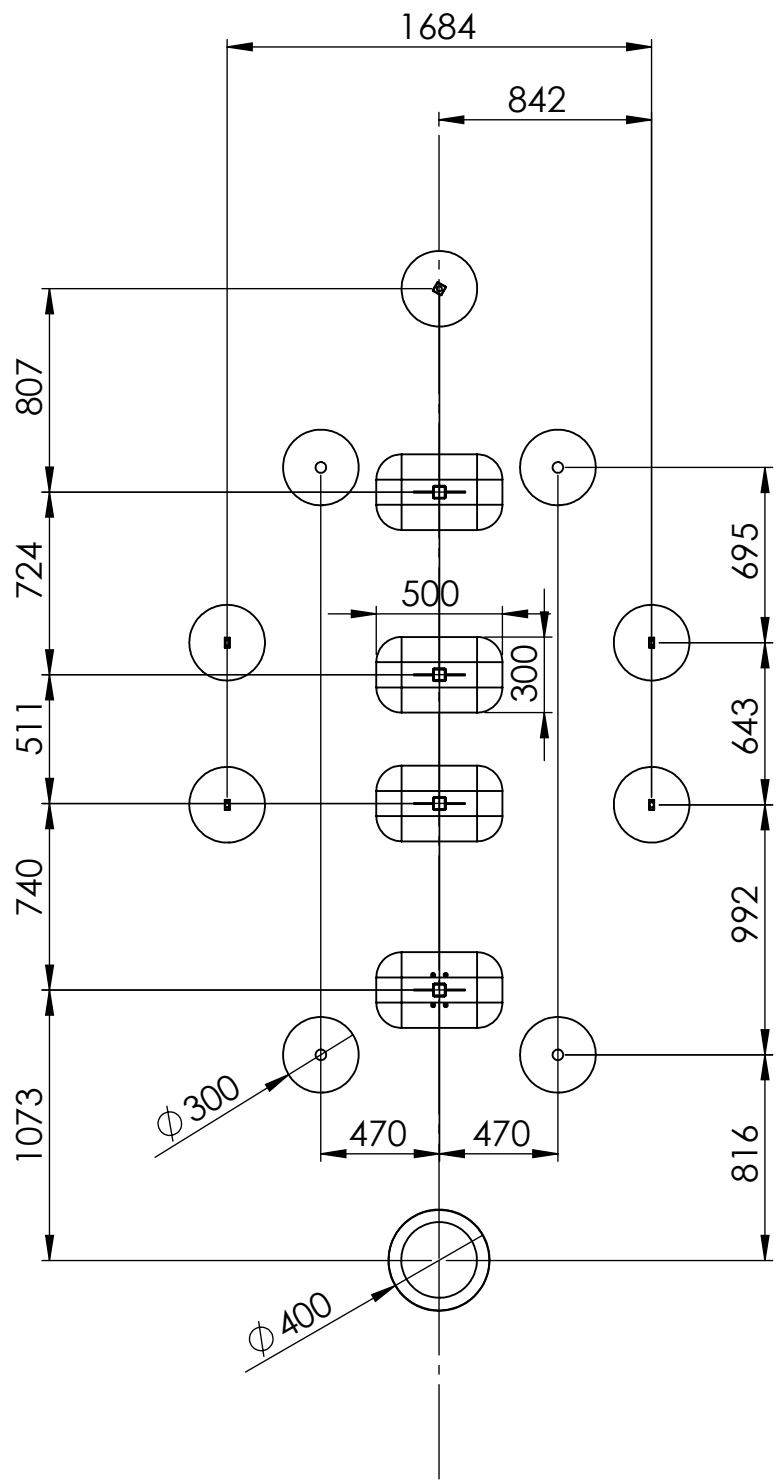
A

B

C

D

E



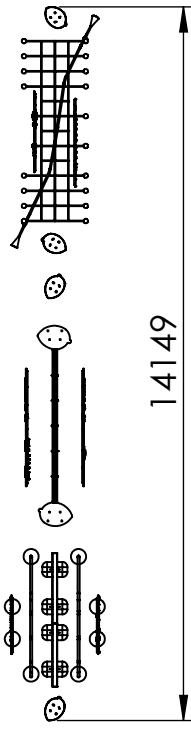
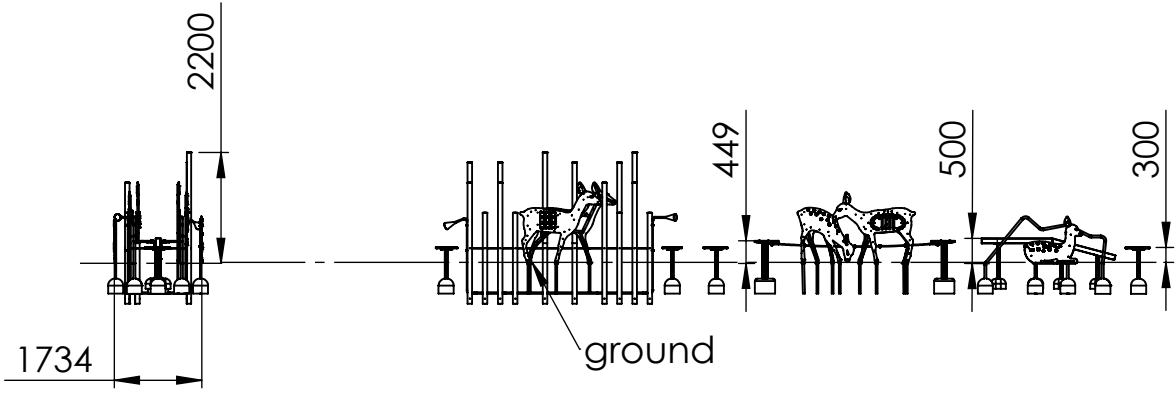
UNLESS OTHERWISE SPECIFIED:
DIMENSIONS ARE IN MILLIMETERS
WEIGHT ARE IN KILOGRAMM

| | NAME | SIGNATURE | DATE | REVISION |
|--------|------------|-----------|------------|----------|
| DRAWN | E.Reispere | | 02.07.2024 | |
| APPV'D | | | | |

| | |
|------------------------|------------|
| PART NUMBER / DWG NO.: | TKR601 |
| DESCRIPTION: | DEER TRAIL |



| | | |
|-----------|----------------------|---------------|
| MATERIAL: | wood, metal, plastic | A4 |
| WEIGHT: | | SCALE: 1:200 |
| | | SHEET 6 OF 29 |



UNLESS OTHERWISE SPECIFIED:
DIMENSIONS ARE IN MILLIMETERS
WEIGHT ARE IN KILOGRAMM

PART NUMBER / DWG NO.:
TKR601

| | NAME | SIGNATURE | DATE | REVISION |
|--------|------------|-----------|------------|----------|
| DRAWN | E.Reispere | | 02.07.2024 | |
| APPV'D | | | | |

DESCRIPTION:
DEER TRAIL



| | | |
|-----------|----------------------|---------------|
| MATERIAL: | wood, metal, plastic | A4 |
| WEIGHT: | | SCALE: 1:150 |
| | | SHEET 7 OF 29 |

A

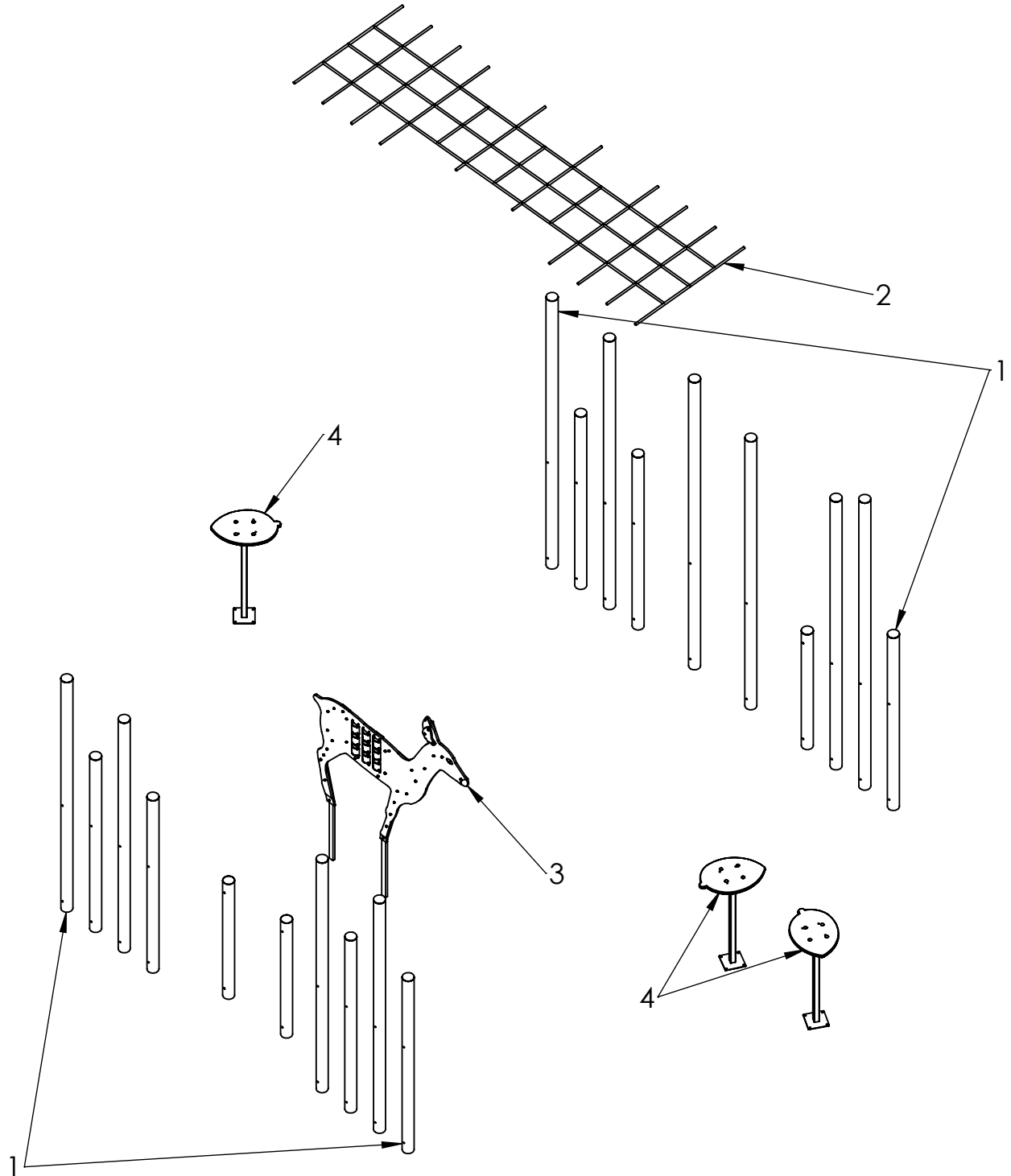
B

C

D

E

F



| ITEM NO. | PART NUMBER |
|----------|------------------------|
| 1 | straw posts 1,2 - 3,0m |
| 2 | TKR601 net |
| 3 | TKR601 deer oxo |
| 4 | TKR602 step |

UNLESS OTHERWISE SPECIFIED:
 DIMENSIONS ARE IN MILLIMETERS
 WEIGHT ARE IN KILOGRAMM

PART NUMBER / DWG NO.:
TKR601

| | NAME | SIGNATURE | DATE | REVISION |
|--------|------------|-----------|------------|----------|
| DRAWN | E.Reispere | | 02.07.2024 | |
| APPV'D | | | | |

DESCRIPTION:
DEER TRAIL



| | | |
|-----------|----------------------|---------------|
| MATERIAL: | wood, metal, plastic | A4 |
| WEIGHT: | SCALE: 1:200 | SHEET 8 OF 29 |

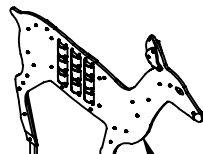
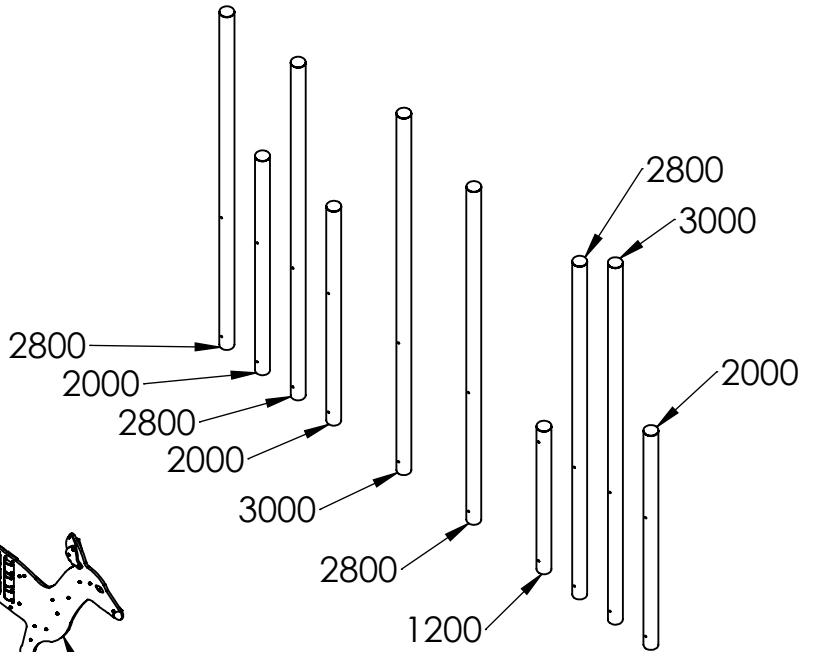
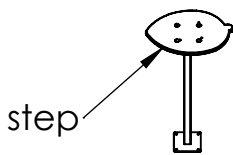
A

B

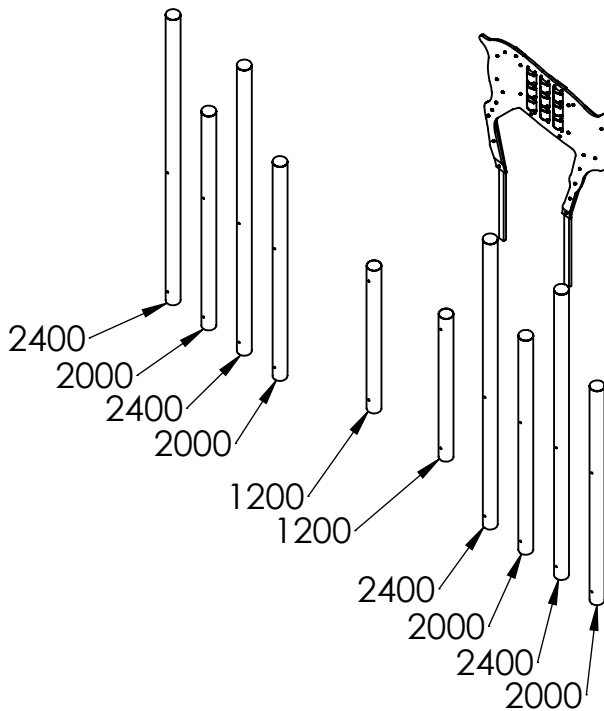
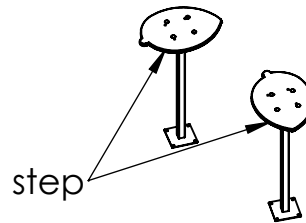
C

D

E



TKR601 deer oxo



UNLESS OTHERWISE SPECIFIED:
DIMENSIONS ARE IN MILLIMETERS
WEIGHT ARE IN KILOGRAMM

PART NUMBER / DWG NO.:

TKR601

| | NAME | SIGNATURE | DATE | REVISION |
|--------|------------|-----------|------------|----------|
| DRAWN | E.Reispere | | 02.07.2024 | |
| APPV'D | | | | |

DESCRIPTION:

DEER TRAIL



Tiptiptap OÜ

MATERIAL:

wood, metal, plastic

A4

WEIGHT:

SCALE: 1:200

SHEET 9 OF 29

A

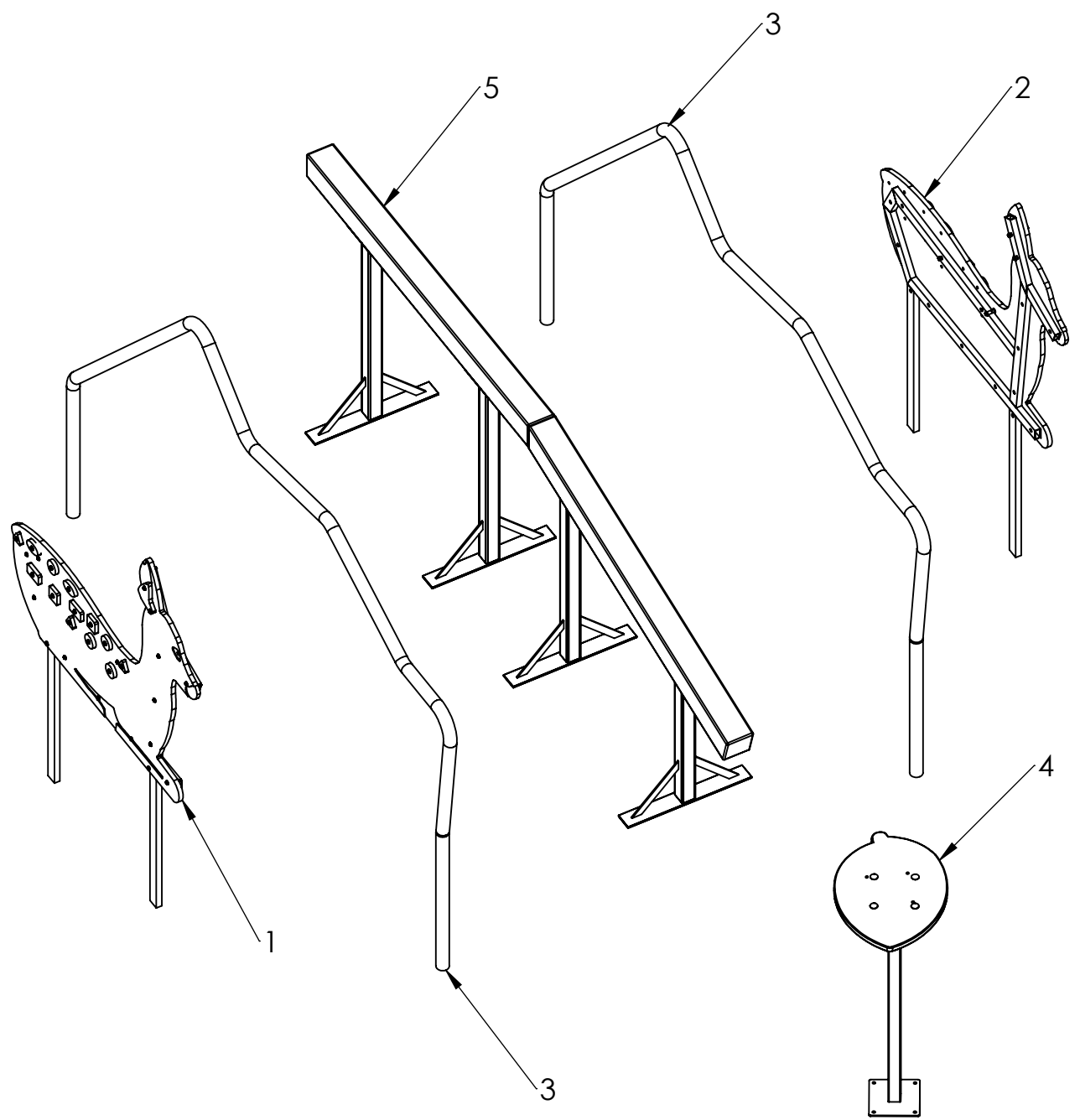
B

C

D

E

F



| ITEM NO. | PART NUMBER |
|----------|------------------------|
| 1 | TKR601 deer 3 R |
| 2 | TKR601 deer 3 L |
| 3 | TKR601 tube |
| 4 | TKR602 step |
| 5 | TKR601 beam with slope |

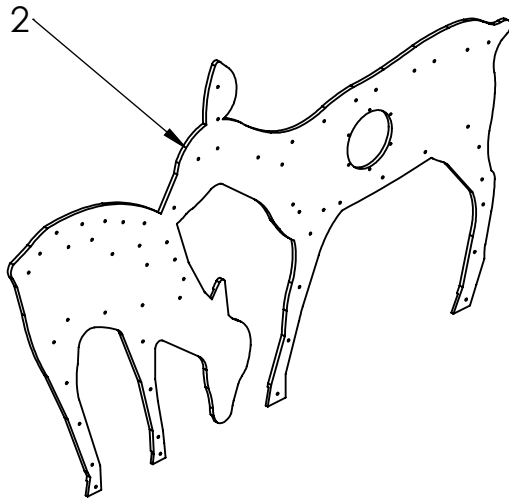
| | | | | |
|---|------------|-----------|------------|----------|
| UNLESS OTHERWISE SPECIFIED: DIMENSIONS ARE IN MILLIMETERS WEIGHT ARE IN KILOGRAMM | | | | |
| | NAME | SIGNATURE | DATE | REVISION |
| DRAWN | E.Reispere | | 02.07.2024 | |
| APPV'D | | | | |

| | |
|------------------------|------------|
| PART NUMBER / DWG NO.: | TKR601 |
| DESCRIPTION: | DEER TRAIL |

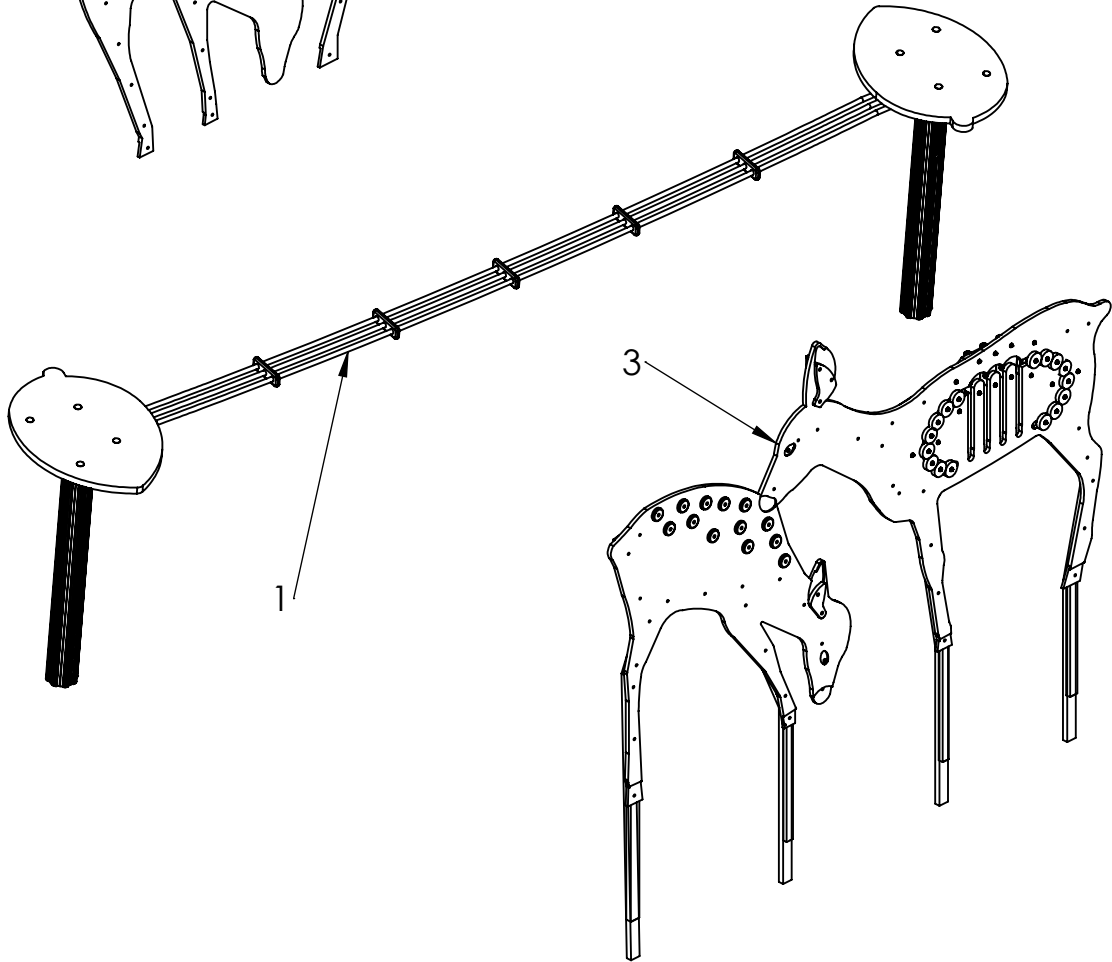


| | | |
|-----------|----------------------|----------------|
| MATERIAL: | wood, metal, plastic | A4 |
| WEIGHT: | SCALE: 1:200 | SHEET 10 OF 29 |

A



B



C

D

E

| ITEM NO. | PART NUMBER |
|----------|---------------------------|
| 1 | TKR601 slacline 3m |
| 2 | TKR601 deer 5 illuminator |
| 3 | TKR601 deer 4 game 001 |

UNLESS OTHERWISE SPECIFIED:
 DIMENSIONS ARE IN MILLIMETERS
 WEIGHT ARE IN KILOGRAMM

PART NUMBER / DWG NO.:

TKR601

| | NAME | SIGNATURE | DATE | REVISION |
|--------|------------|-----------|------------|----------|
| DRAWN | E.Reispere | | 02.07.2024 | |
| APPV'D | | | | |

DESCRIPTION:

DEER TRAIL

F



Tiptiptap^{OU}

MATERIAL:

wood, metal, plastic

A4

WEIGHT:

SCALE: 1:200

SHEET 11 OF 29

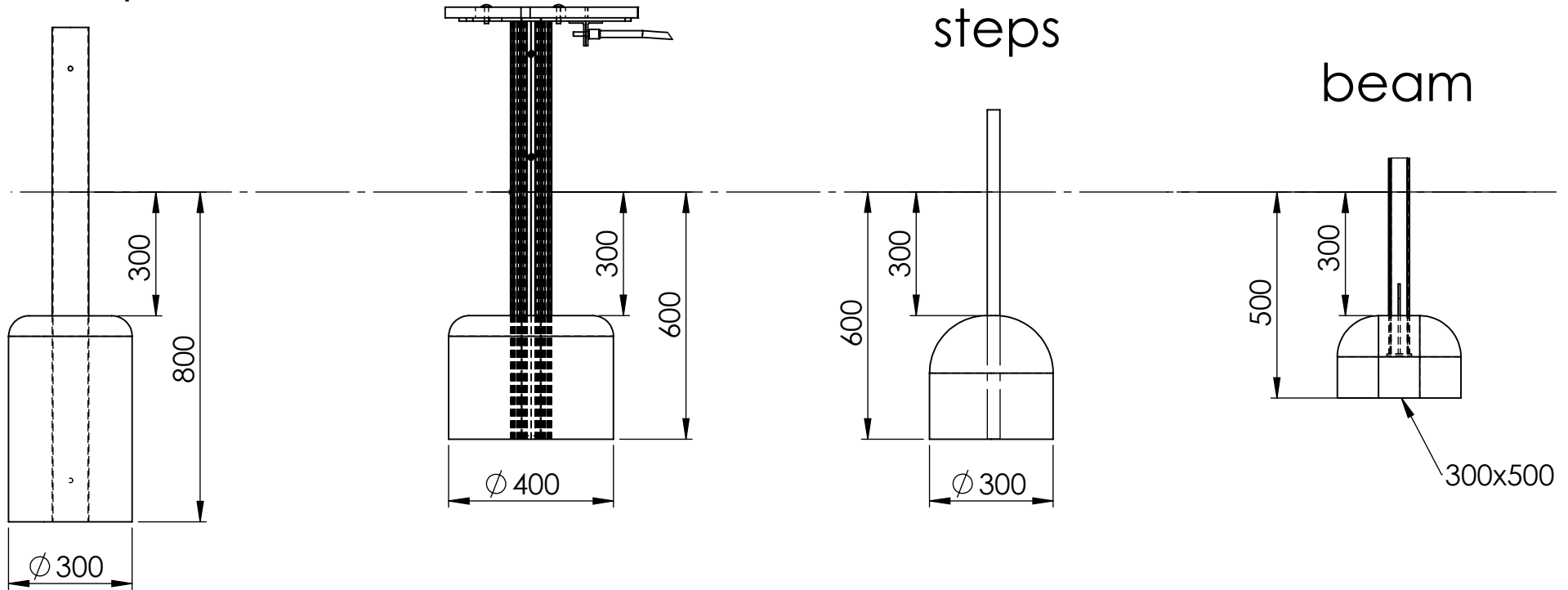
concrete

straws post

slacine

deer;
steps

beam



UNLESS OTHERWISE SPECIFIED:
DIMENSIONS ARE IN MILLIMETERS
WEIGHT ARE IN KILOGRAMM

PART NUMBER / DWG NO.:

TKR601

| | NAME | SIGNATURE | DATE | REVISION |
|--------|------------|-----------|------------|----------|
| DRAWN | E.Reispere | | 02.07.2024 | |
| APPV'D | | | | |

DESCRIPTION:

DEER TRAIL

MATERIAL:

wood, metal, plastic

A4

WEIGHT:

SCALE: 1:150

SHEET 12 OF 29



Tiptiptap^{OO}

A

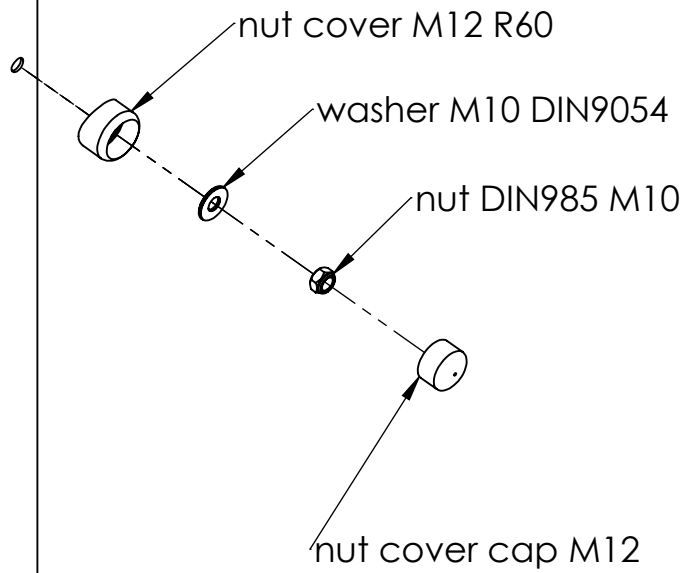
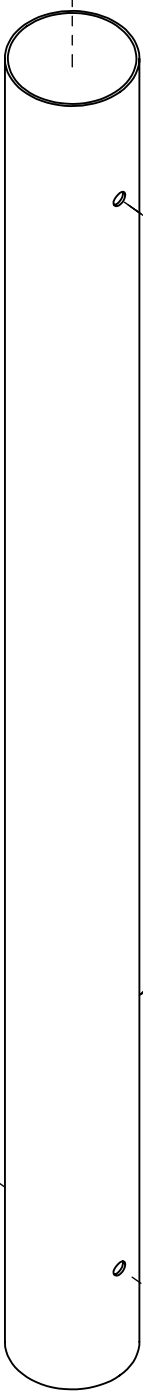
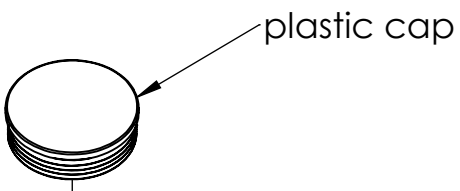
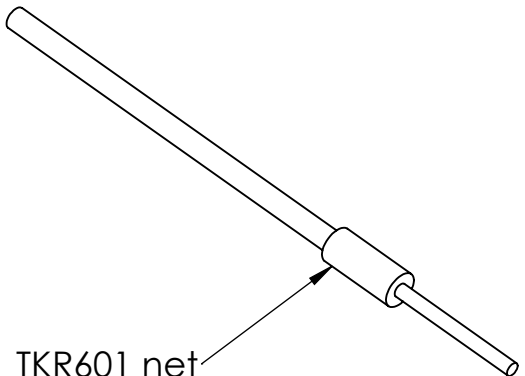
B

C

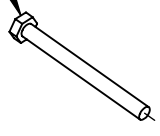
D

E

F



bolt M10x110 DIN931



straw posts



nut DIN985 M10



UNLESS OTHERWISE SPECIFIED:
 DIMENSIONS ARE IN MILLIMETERS
 WEIGHT ARE IN KILOGRAMM

| | NAME | SIGNATURE | DATE | REVISION |
|--------|------------|-----------|------------|----------|
| DRAWN | E.Reispere | | 02.07.2024 | |
| APPV'D | | | | |

PART NUMBER / DWG NO.:
TKR601

DESCRIPTION:
DEER TRAIL



Tiptiptap ^{OO}

MATERIAL: wood, metal, plastic A4

WEIGHT: SCALE: 1:150 SHEET 13 OF 29

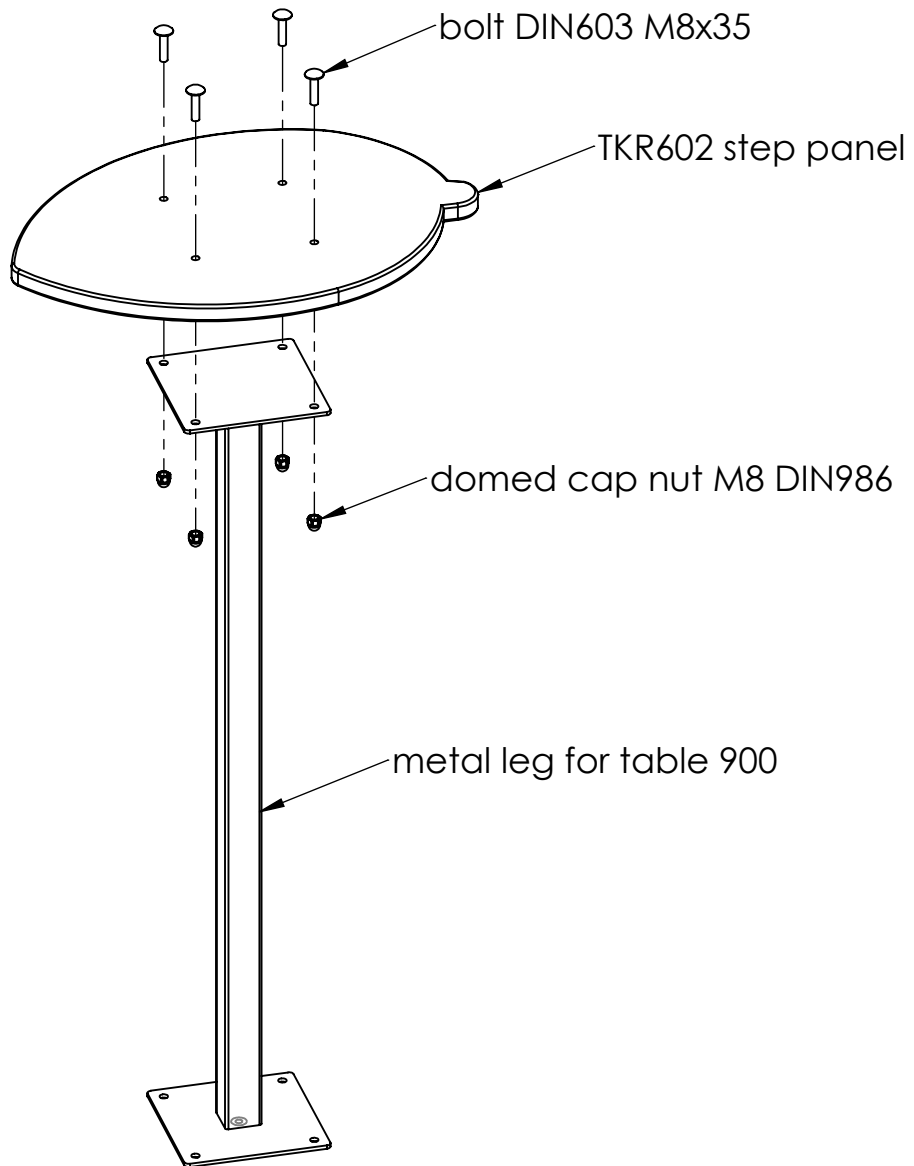
A

B

C

D

E



UNLESS OTHERWISE SPECIFIED:
 DIMENSIONS ARE IN MILLIMETERS
 WEIGHT ARE IN KILOGRAMM

PART NUMBER / DWG NO.:
TKR601

| | NAME | SIGNATURE | DATE | REVISION |
|--------|------------|-----------|------------|----------|
| DRAWN | E.Reispere | | 02.07.2024 | |
| APPV'D | | | | |

DESCRIPTION:
DEER TRAIL



| | | |
|-----------|----------------------|----------------|
| MATERIAL: | wood, metal, plastic | A4 |
| WEIGHT: | | SCALE: 1:150 |
| | | SHEET 14 OF 29 |

A

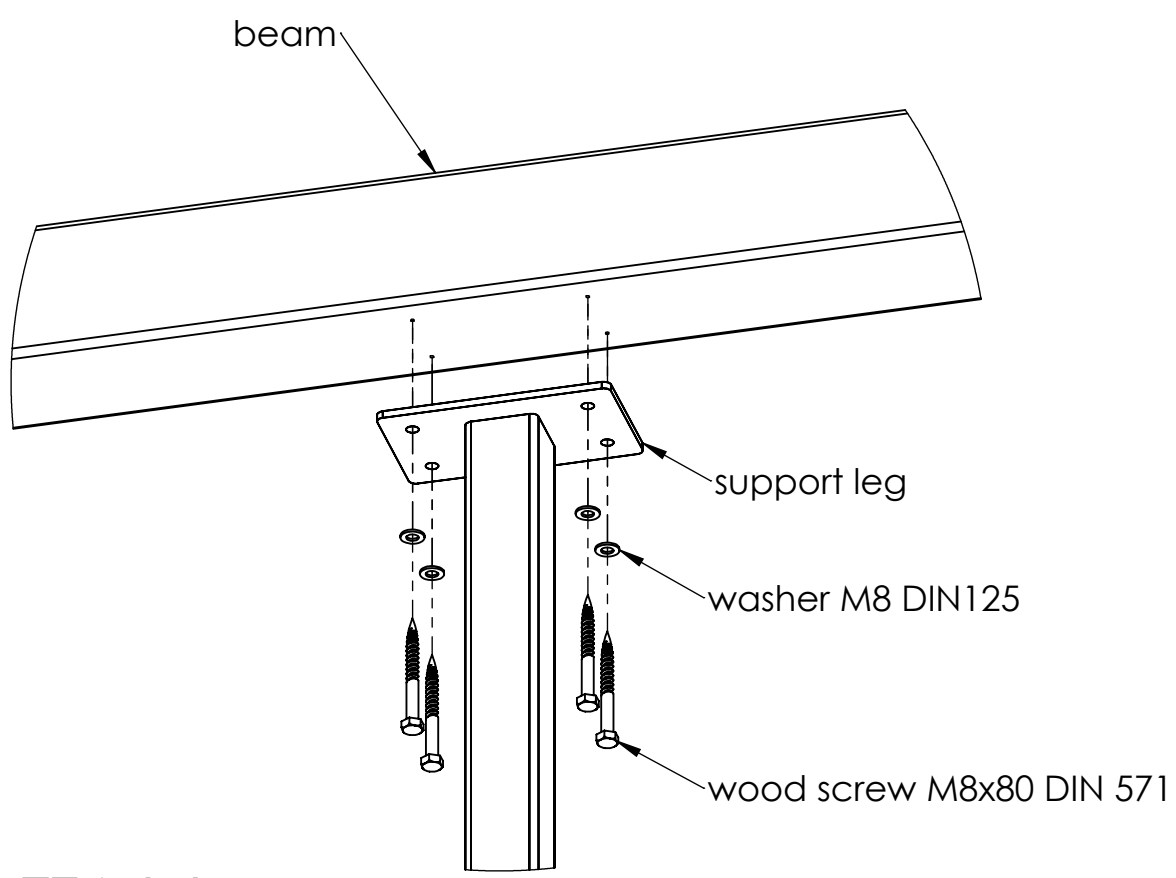
B

C

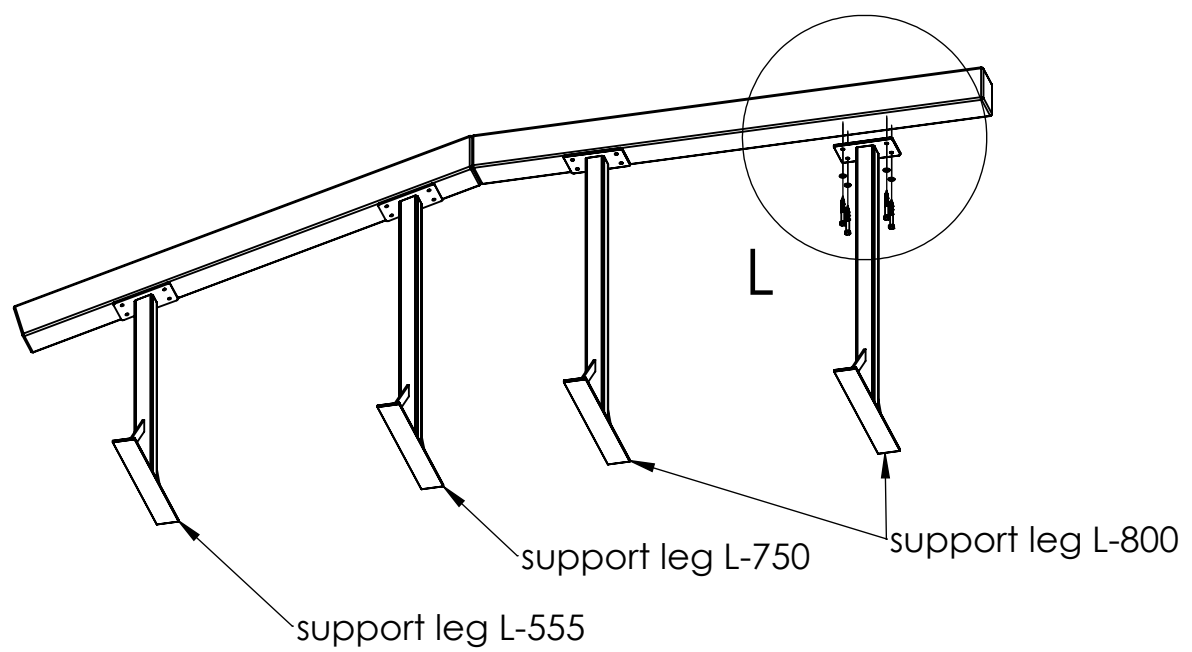
D

E

F



DETAIL L



UNLESS OTHERWISE SPECIFIED:
 DIMENSIONS ARE IN MILLIMETERS
 WEIGHT ARE IN KILOGRAMM

| | NAME | SIGNATURE | DATE | REVISION |
|--------|------------|-----------|------------|----------|
| DRAWN | E.Reispere | | 02.07.2024 | |
| APPV'D | | | | |

PART NUMBER / DWG NO.:
TKR601

DESCRIPTION:
DEER TRAIL



| | | |
|-----------|----------------------|----------------|
| MATERIAL: | wood, metal, plastic | A4 |
| WEIGHT: | | SCALE: 1:200 |
| | | SHEET 15 OF 29 |

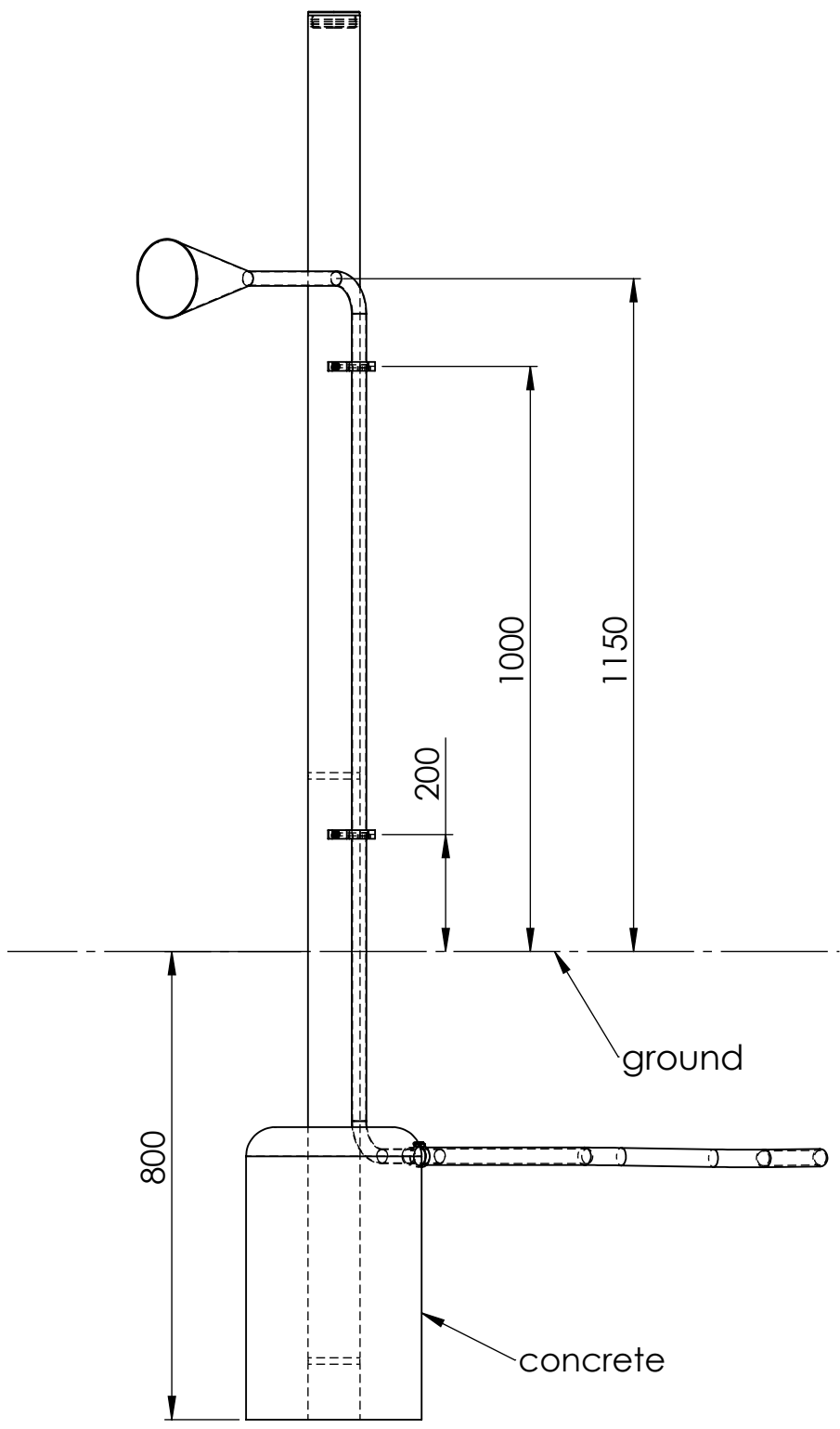
A

B

C

D

E



UNLESS OTHERWISE SPECIFIED:
 DIMENSIONS ARE IN MILLIMETERS
 WEIGHT ARE IN KILOGRAMM

PART NUMBER / DWG NO.:
TKR601

| | NAME | SIGNATURE | DATE | REVISION |
|--------|------------|-----------|------------|----------|
| DRAWN | E.Reispere | | 02.07.2024 | |
| APPV'D | | | | |

DESCRIPTION:
DEER TRAIL



| | | |
|-----------|----------------------|----------------|
| MATERIAL: | wood, metal, plastic | A4 |
| WEIGHT: | | |
| | SCALE: 1:200 | SHEET 16 OF 29 |

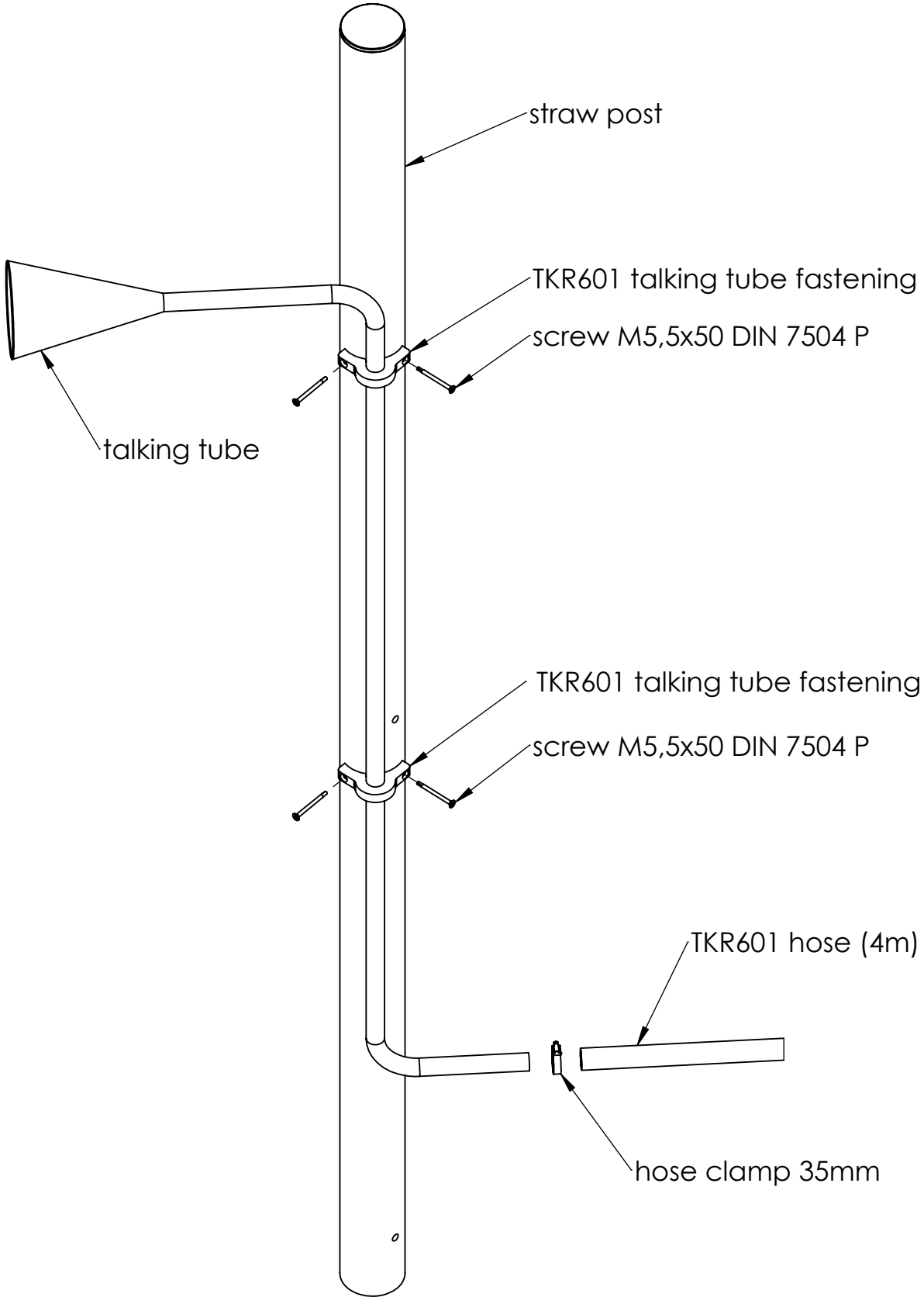
A

B

C

D

E



UNLESS OTHERWISE SPECIFIED:
 DIMENSIONS ARE IN MILLIMETERS
 WEIGHT ARE IN KILOGRAMM

PART NUMBER / DWG NO.:
TKR601

| | NAME | SIGNATURE | DATE | REVISION |
|--------|------------|-----------|------------|----------|
| DRAWN | E.Reispere | | 02.07.2024 | |
| APPV'D | | | | |

DESCRIPTION:
DEER TRAIL



| | | |
|-----------|----------------------|----------------|
| MATERIAL: | wood, metal, plastic | A4 |
| WEIGHT: | | SCALE: 1:200 |
| | | SHEET 17 OF 29 |

deer 3

A

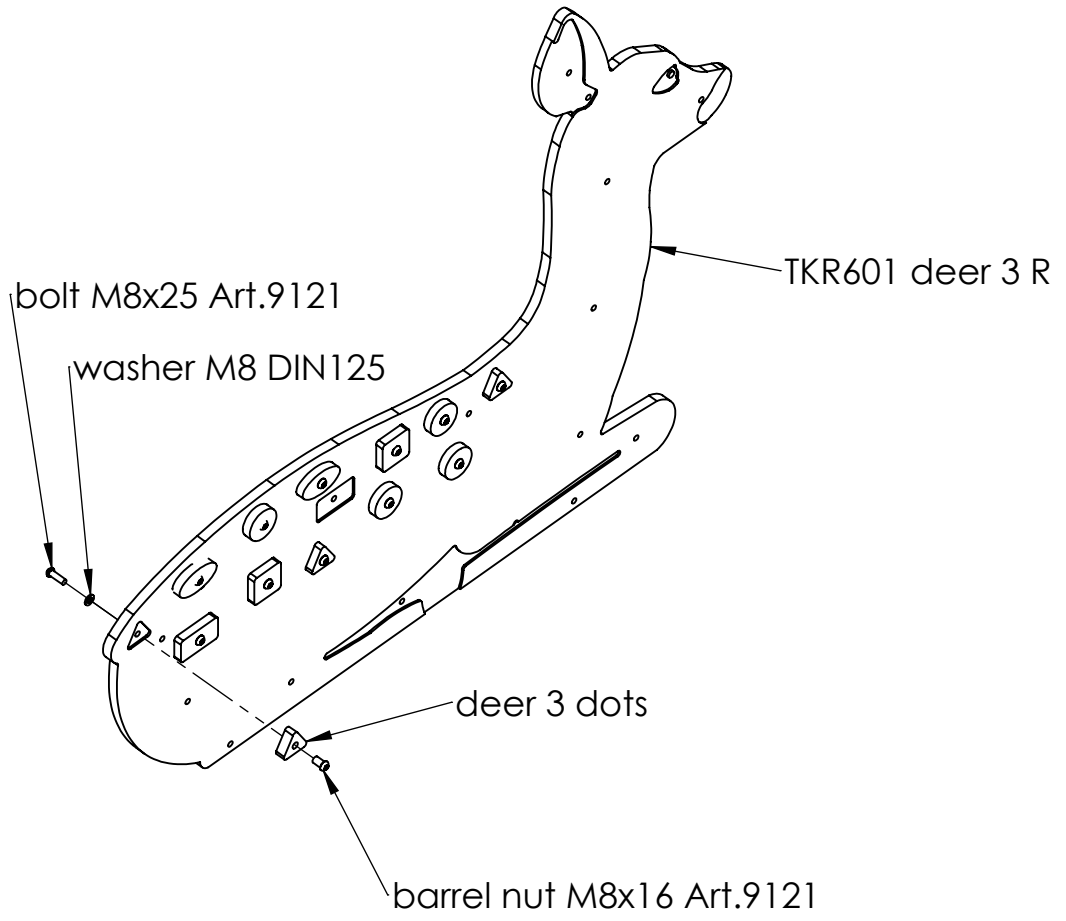
B

C

D

E

F



UNLESS OTHERWISE SPECIFIED:
 DIMENSIONS ARE IN MILLIMETERS
 WEIGHT ARE IN KILOGRAMM

PART NUMBER / DWG NO.:
TKR601

| | NAME | SIGNATURE | DATE | REVISION |
|--------|------------|-----------|------------|----------|
| DRAWN | E.Reispere | | 02.07.2024 | |
| APPV'D | | | | |

DESCRIPTION:
DEER TRAIL



| | | |
|-----------|----------------------|----------------|
| MATERIAL: | wood, metal, plastic | A4 |
| WEIGHT: | | SHEET 18 OF 29 |
| | SCALE: 1:50 | |

deer 3

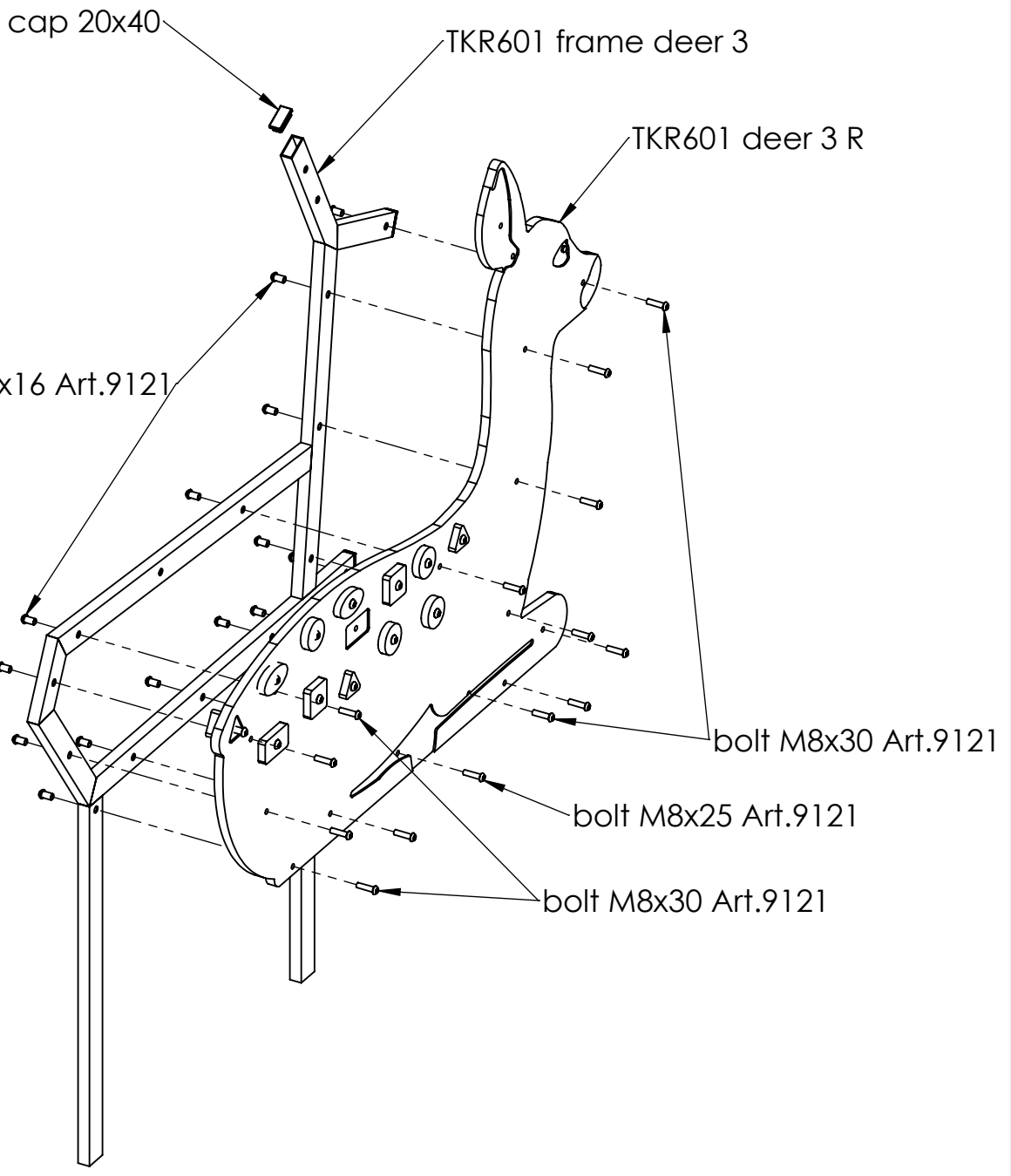
A

B

C

D

E



UNLESS OTHERWISE SPECIFIED:
DIMENSIONS ARE IN MILLIMETERS
WEIGHT ARE IN KILOGRAMM

| | NAME | SIGNATURE | DATE | REVISION |
|--------|------------|-----------|------------|----------|
| DRAWN | E.Reispere | | 02.07.2024 | |
| APPV'D | | | | |

PART NUMBER / DWG NO.: **TKR601**

DESCRIPTION: **DEER TRAIL**



| | | |
|-----------|----------------------|----------------|
| MATERIAL: | wood, metal, plastic | A4 |
| WEIGHT: | SCALE: 1:50 | SHEET 19 OF 29 |

deer 3

A

B

C

D

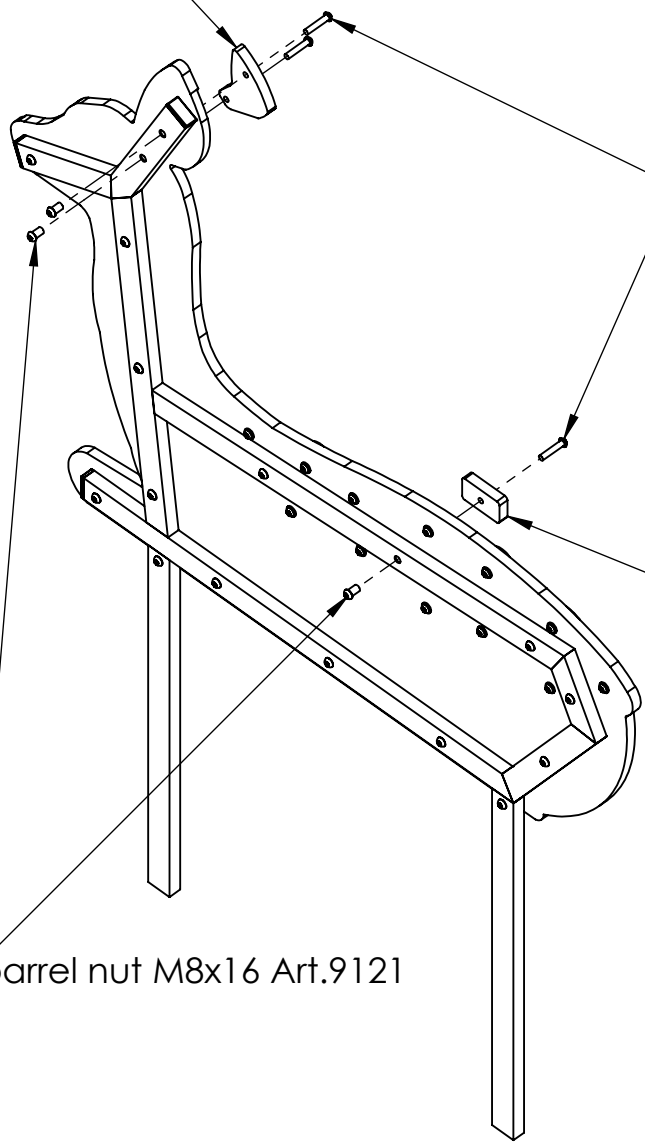
E

deer 3 ear

bolt M8x40 Art.9121

deer 3 dots

barrel nut M8x16 Art.9121



UNLESS OTHERWISE SPECIFIED:
 DIMENSIONS ARE IN MILLIMETERS
 WEIGHT ARE IN KILOGRAMM

PART NUMBER / DWG NO.:
TKR601

| | NAME | SIGNATURE | DATE | REVISION |
|--------|------------|-----------|------------|----------|
| DRAWN | E.Reispere | | 02.07.2024 | |
| APPV'D | | | | |

DESCRIPTION:
DEER TRAIL



| | | |
|-----------|----------------------|----------------|
| MATERIAL: | wood, metal, plastic | A4 |
| WEIGHT: | | SCALE: 1:50 |
| | | SHEET 20 OF 29 |

mini oxo spool

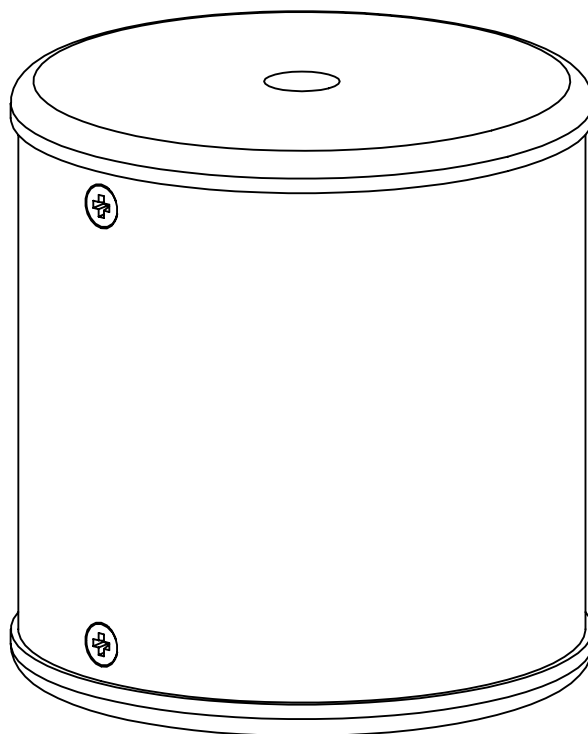
A

B

C

D

E



UNLESS OTHERWISE SPECIFIED:
 DIMENSIONS ARE IN MILLIMETERS
 WEIGHT ARE IN KILOGRAMM

PART NUMBER / DWG NO.:
TKR601

| | NAME | SIGNATURE | DATE | REVISION |
|--------|------------|-----------|------------|----------|
| DRAWN | E.Reispere | | 02.07.2024 | |
| APPV'D | | | | |

DESCRIPTION:
DEER TRAIL



| | | |
|-----------|----------------------|----------------|
| MATERIAL: | wood, metal, plastic | A4 |
| WEIGHT: | | SCALE: 1:2 |
| | | SHEET 21 OF 29 |

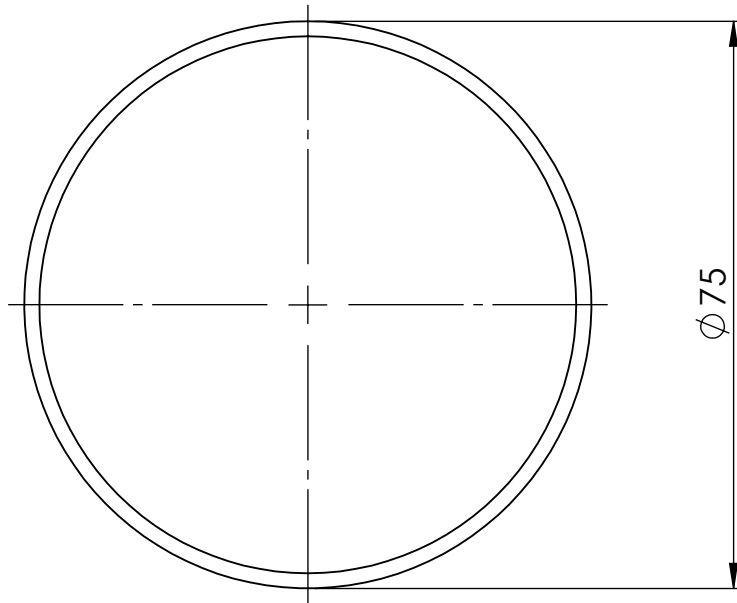
F

mini OXO cylinder

A

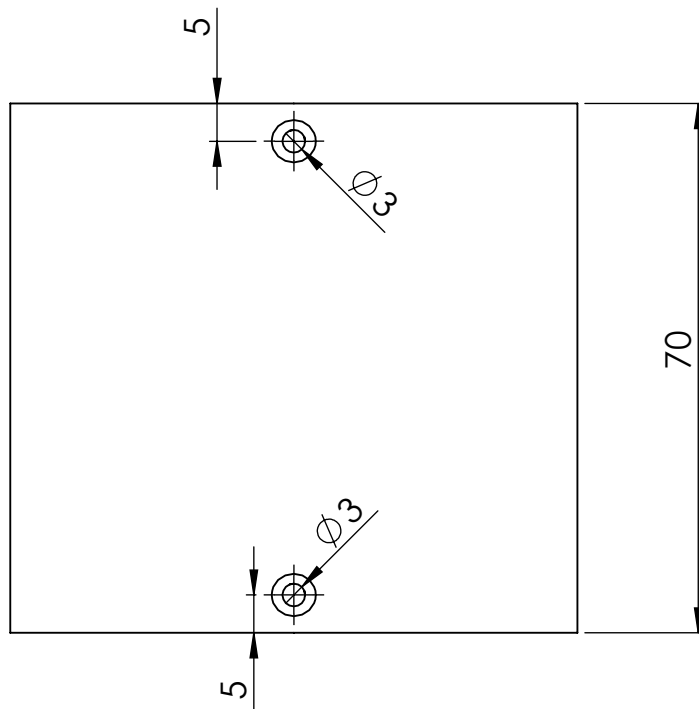
B

C



D

E



UNLESS OTHERWISE SPECIFIED:
 DIMENSIONS ARE IN MILLIMETERS
 WEIGHT ARE IN KILOGRAMM

PART NUMBER / DWG NO.: **TKR601**

| | NAME | SIGNATURE | DATE | REVISION |
|--------|------------|-----------|------------|----------|
| DRAWN | E.Reispere | | 02.07.2024 | |
| APPV'D | | | | |

DESCRIPTION: **DEER TRAIL**



MATERIAL: **wood, metal, plastic** A4

WEIGHT: SCALE: 1:2 SHEET 22 OF 29

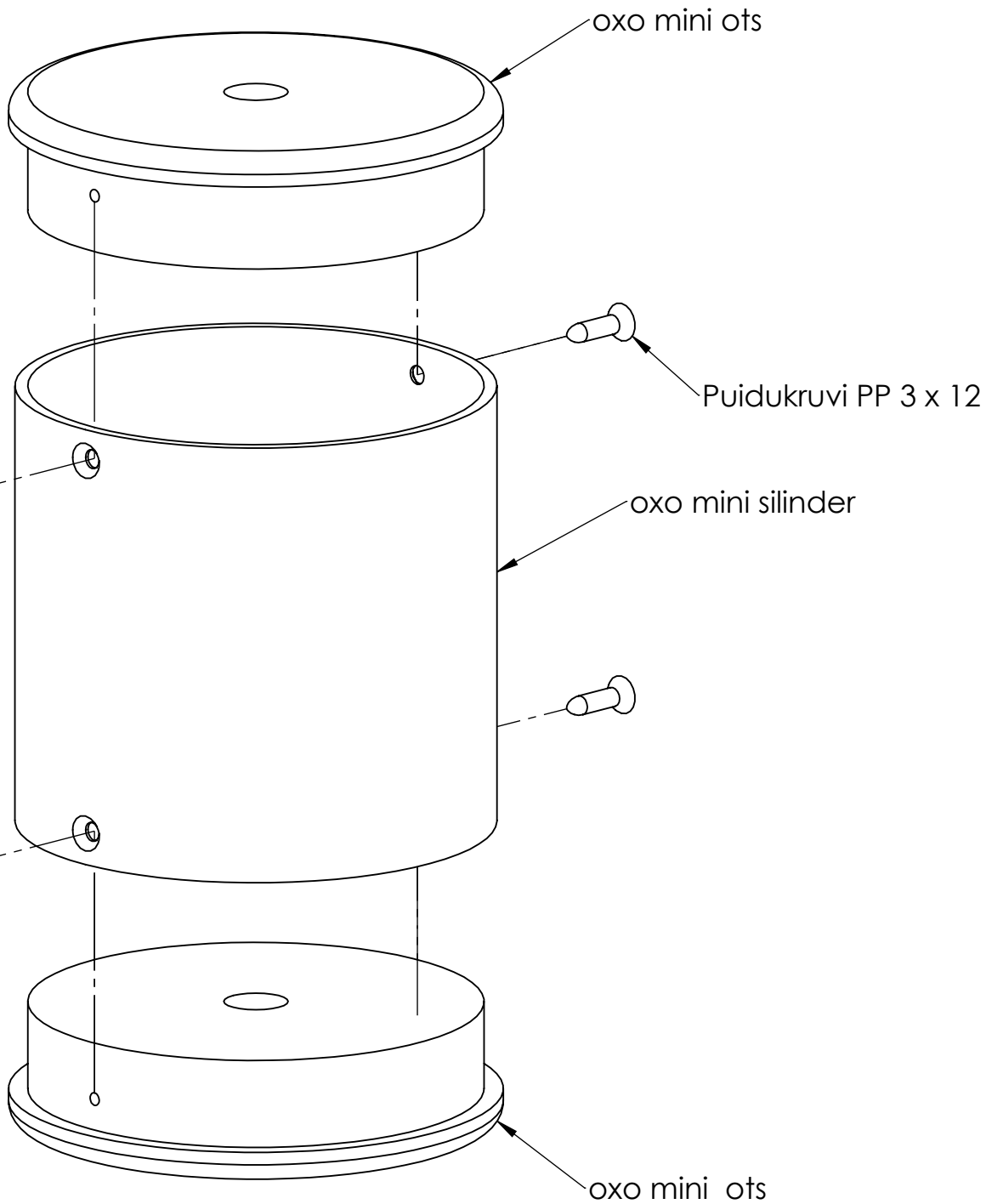
A

B

C

D

E



UNLESS OTHERWISE SPECIFIED:
 DIMENSIONS ARE IN MILLIMETERS
 WEIGHT ARE IN KILOGRAMM

PART NUMBER / DWG NO.:

TKR601

| | NAME | SIGNATURE | DATE | REVISION |
|--------|------------|-----------|------------|----------|
| DRAWN | E.Reispere | | 02.07.2024 | |
| APPV'D | | | | |

DESCRIPTION:

DEER TRAIL

F



Tiptiptap OÜ

MATERIAL:

wood, metal, plastic

A4

WEIGHT:

SCALE: 1:2

SHEET 23 OF 29

A

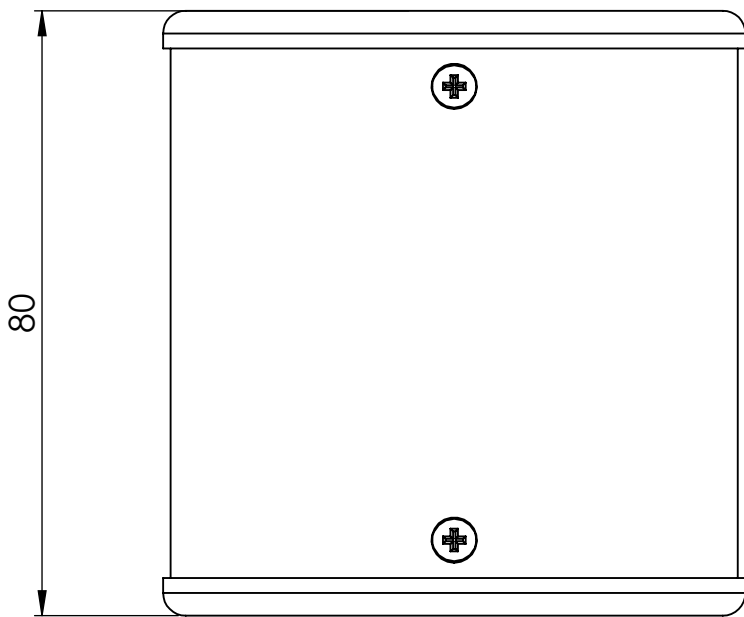
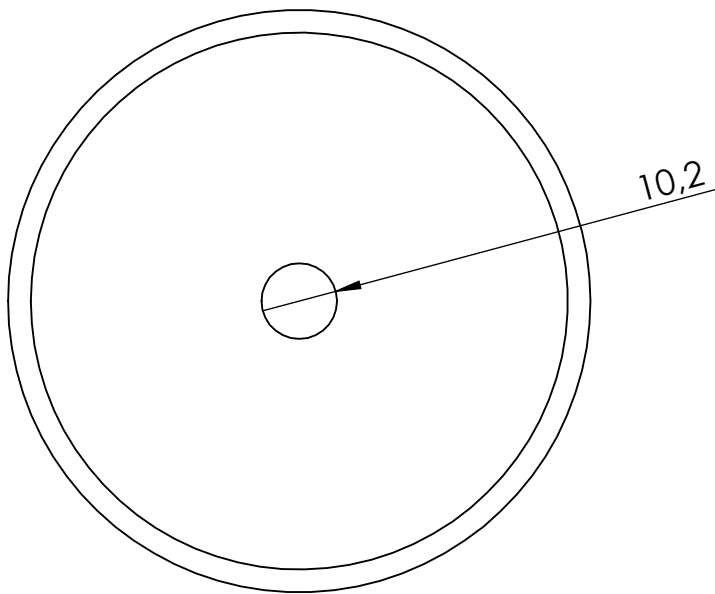
B

C

D

E

F



UNLESS OTHERWISE SPECIFIED:
 DIMENSIONS ARE IN MILLIMETERS
 WEIGHT ARE IN KILOGRAMM

PART NUMBER / DWG NO.:

TKR601

| | NAME | SIGNATURE | DATE | REVISION |
|--------|------------|-----------|------------|----------|
| DRAWN | E.Reispere | | 02.07.2024 | |
| APPV'D | | | | |

DESCRIPTION:

DEER TRAIL



Tiptiptap^{oü}

MATERIAL:

wood, metal, plastic

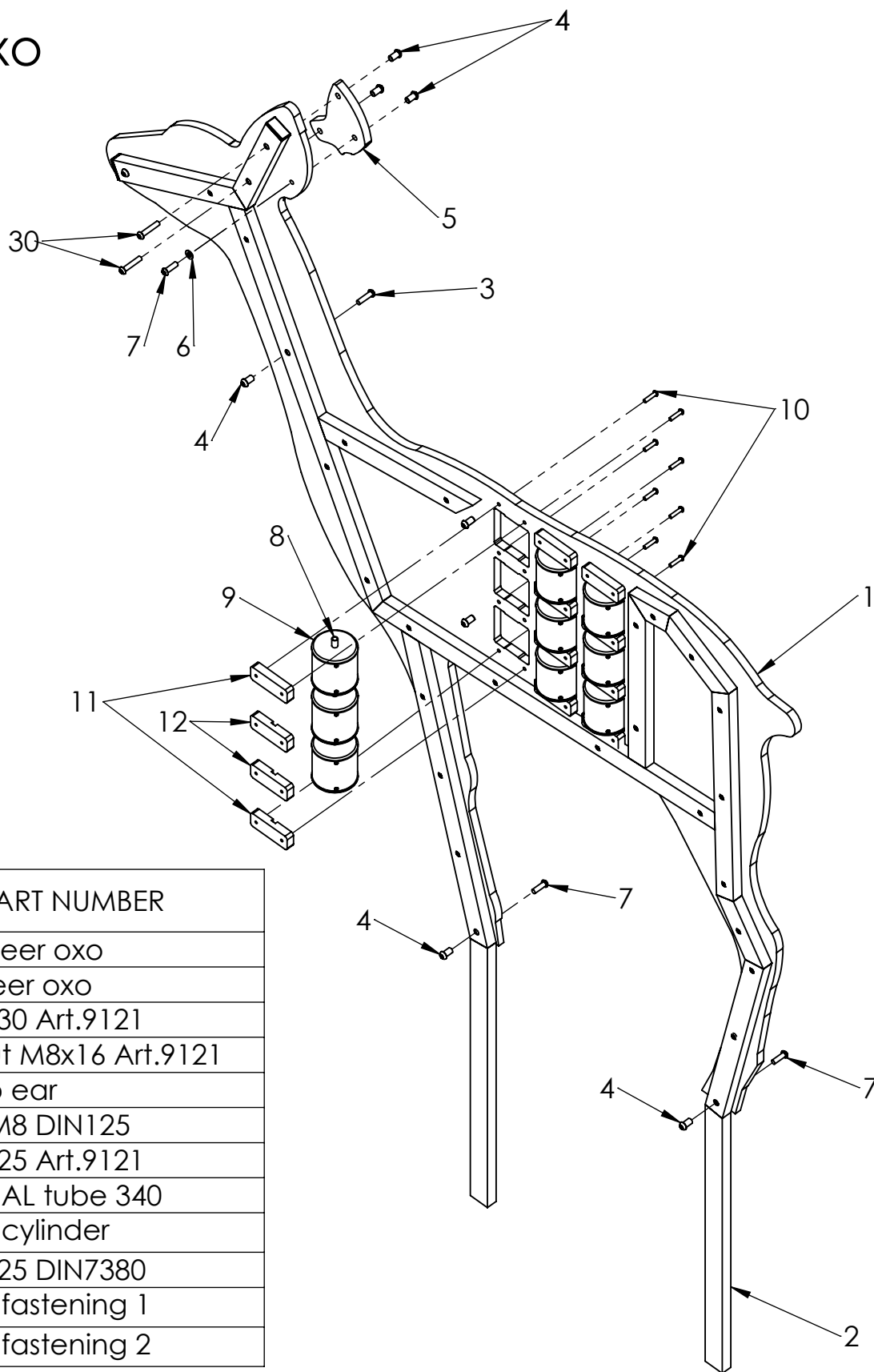
A4

WEIGHT:

SCALE: 1:2

SHEET 24 OF 29

deer oxo



| ITEM NO. | PART NUMBER |
|----------|---------------------------|
| 1 | TKR601 deer oxo |
| 2 | frame deer oxo |
| 3 | bolt M8x30 Art.9121 |
| 4 | barrel nut M8x16 Art.9121 |
| 5 | deer oxo ear |
| 6 | washer M8 DIN125 |
| 7 | bolt M8x25 Art.9121 |
| 8 | mini oxo AL tube 340 |
| 9 | mini oxo cylinder |
| 10 | bolt M6x25 DIN7380 |
| 11 | mini oxo fastening 1 |
| 12 | mini oxo fastening 2 |

UNLESS OTHERWISE SPECIFIED:
DIMENSIONS ARE IN MILLIMETERS
WEIGHT ARE IN KILOGRAMM

PART NUMBER / DWG NO.:

TKR601

| | NAME | SIGNATURE | DATE | REVISION |
|--------|------------|-----------|------------|----------|
| DRAWN | E.Reispere | | 02.07.2024 | |
| APPV'D | | | | |

DESCRIPTION:

DEER TRAIL

MATERIAL:

wood, metal, plastic

A4

WEIGHT:

SCALE: 1:50

SHEET 25 OF 29



Tiptiptap OÜ

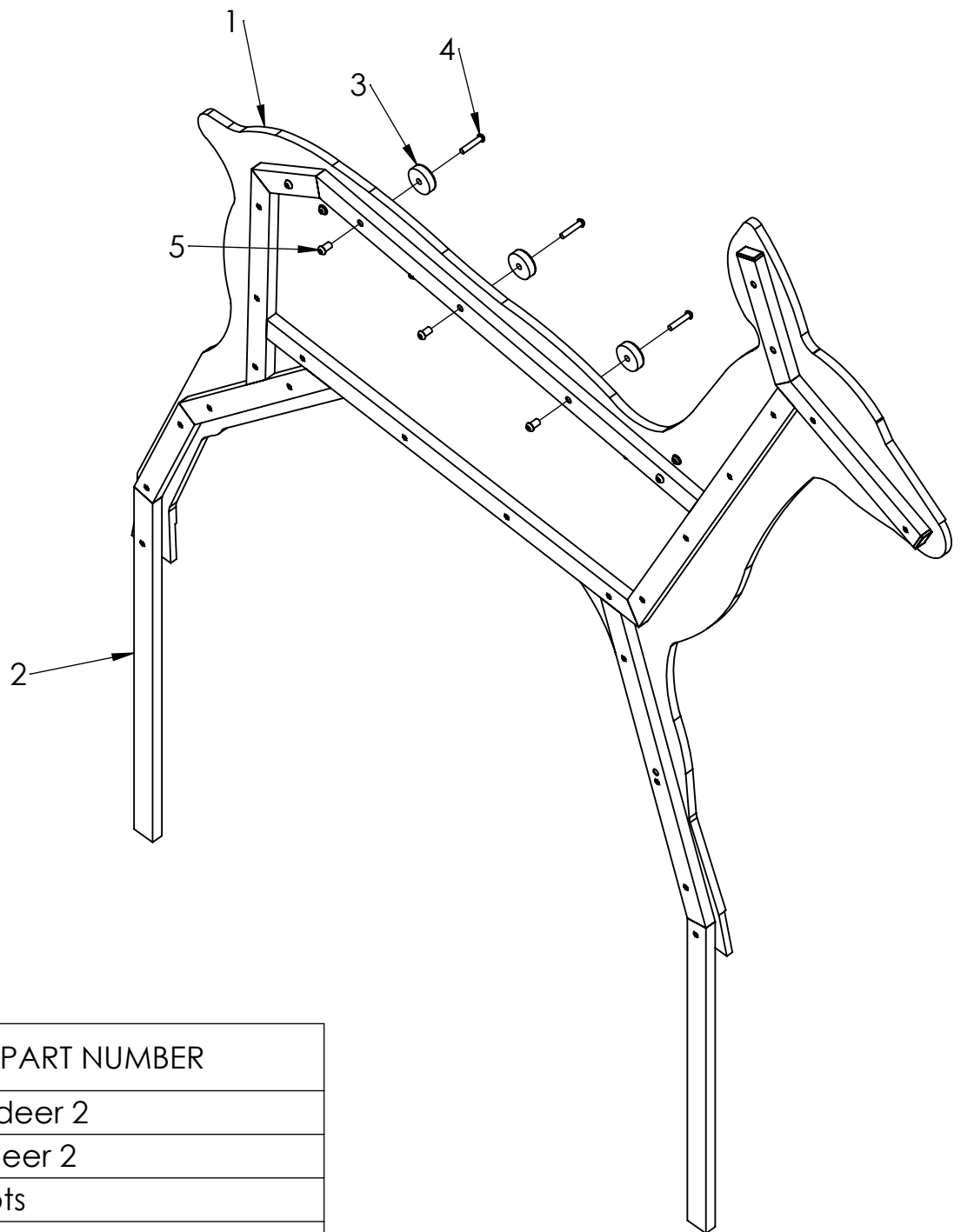
deer 2

A

B

C

D



| ITEM NO. | PART NUMBER |
|----------|---------------------------|
| 1 | TKR601 deer 2 |
| 2 | frame deer 2 |
| 3 | deer dots |
| 4 | bolt M8x40 Art.9121 |
| 5 | barrel nut M8x16 Art.9121 |

E

F

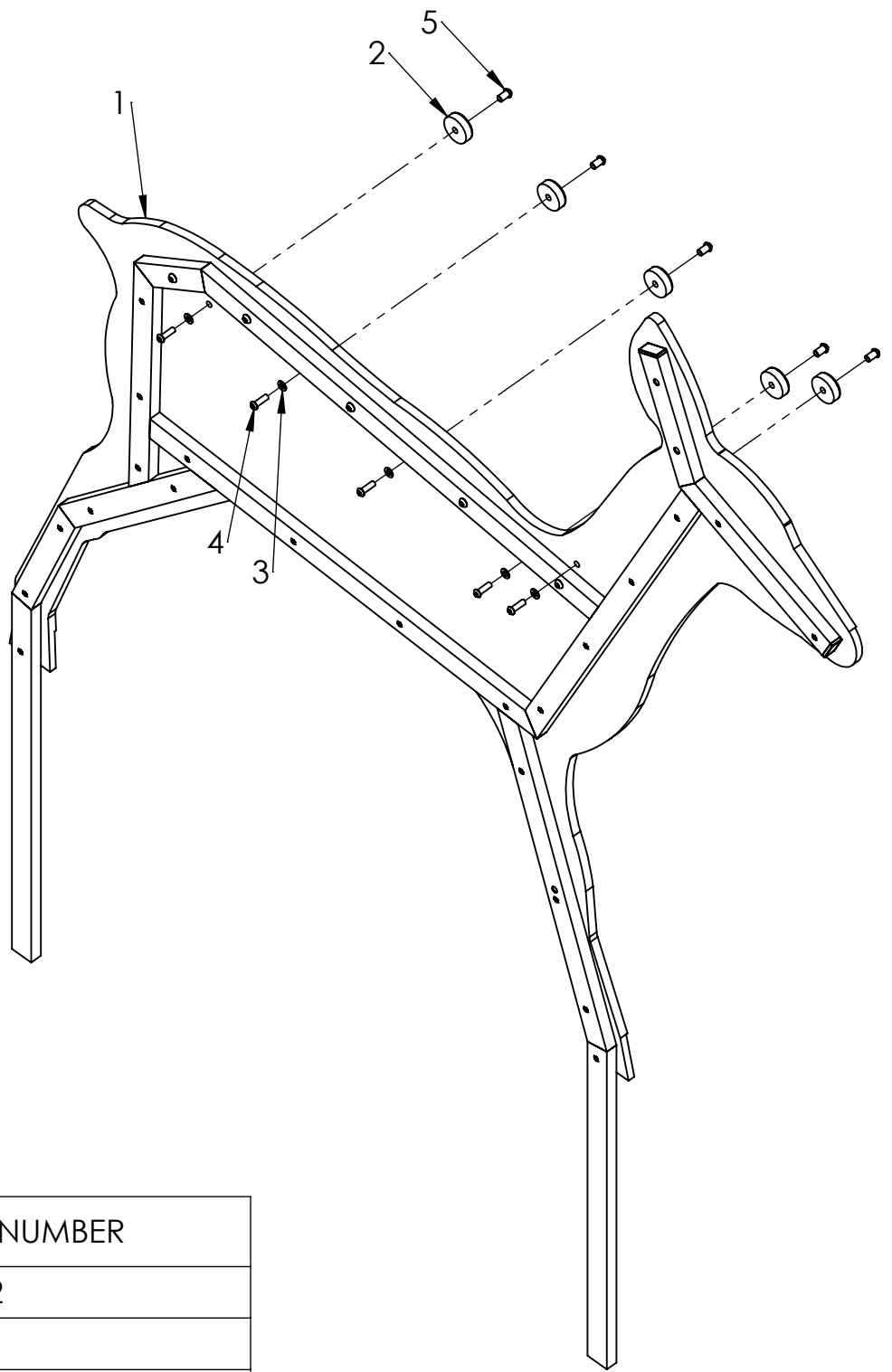
| | | | | |
|---|------------|-----------|------------|----------|
| UNLESS OTHERWISE SPECIFIED: DIMENSIONS ARE IN MILLIMETERS WEIGHT ARE IN KILOGRAMM | | | | |
| | NAME | SIGNATURE | DATE | REVISION |
| DRAWN | E.Reispere | | 02.07.2024 | |
| APPV'D | | | | |

| | |
|------------------------|------------|
| PART NUMBER / DWG NO.: | TKR601 |
| DESCRIPTION: | DEER TRAIL |



| | | |
|-----------|----------------------|----------------|
| MATERIAL: | wood, metal, plastic | A4 |
| WEIGHT: | SCALE: 1:50 | SHEET 26 OF 29 |

deer 2



| ITEM NO. | PART NUMBER |
|----------|---------------------------|
| 1 | TKR601 deer 2 |
| 2 | deer dots |
| 3 | washer M8 DIN125 |
| 4 | bolt M8x25 Art.9121 |
| 5 | barrel nut M8x16 Art.9121 |

| | | | | |
|---|------------|-----------|------------|----------|
| UNLESS OTHERWISE SPECIFIED: DIMENSIONS ARE IN MILLIMETERS WEIGHT ARE IN KILOGRAMM | | | | |
| | NAME | SIGNATURE | DATE | REVISION |
| DRAWN | E.Reispere | | 02.07.2024 | |
| APPV'D | | | | |

| | | | |
|------------------------|----------------------|-------------|----------------|
| PART NUMBER / DWG NO.: | | TKR601 | |
| DESCRIPTION: | | DEER TRAIL | |
| MATERIAL: | wood, metal, plastic | A4 | |
| WEIGHT: | | SCALE: 1:50 | SHEET 27 OF 29 |



deer 4 game

A

B

C

D

E

F

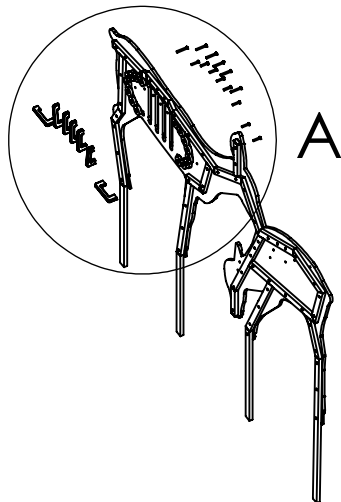
bolt M8x60 Art.9121

bolt M8x40 Art.9121

deer 4 support 002

deer 4 support 001

DETAIL A



| | | | | |
|---|------------|-----------|------------|----------|
| UNLESS OTHERWISE SPECIFIED: DIMENSIONS ARE IN MILLIMETERS WEIGHT ARE IN KILOGRAMM | | | | |
| | NAME | SIGNATURE | DATE | REVISION |
| DRAWN | E.Reispere | | 02.07.2024 | |
| APPV'D | | | | |

| | |
|------------------------|------------|
| PART NUMBER / DWG NO.: | TKR601 |
| DESCRIPTION: | DEER TRAIL |



| | | |
|-----------|----------------------|----------------|
| MATERIAL: | wood, metal, plastic | A4 |
| WEIGHT: | SCALE: 1:50 | SHEET 28 OF 29 |

deer 4 game

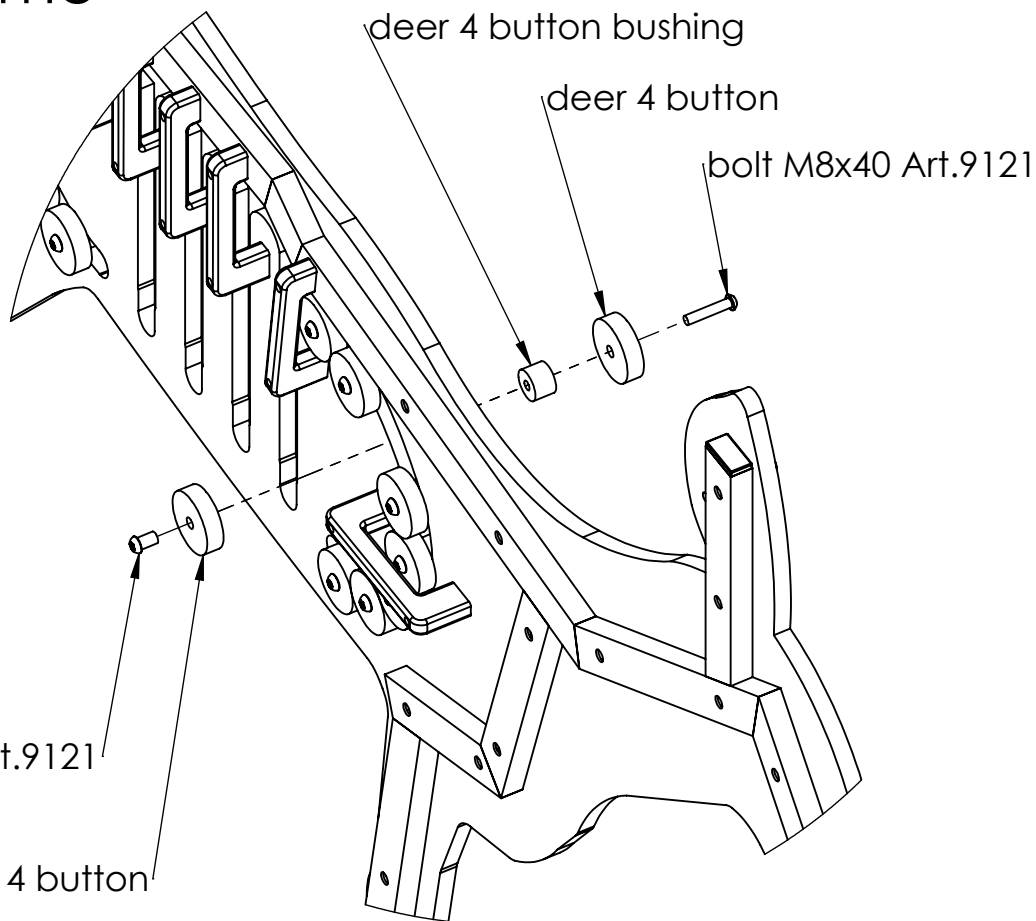
A

B

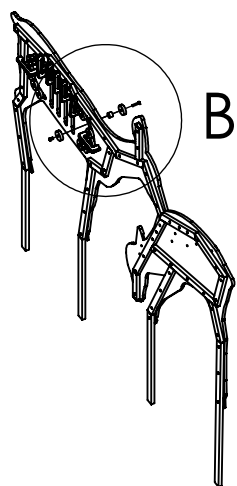
C

D

E



DETAIL B



UNLESS OTHERWISE SPECIFIED:
 DIMENSIONS ARE IN MILLIMETERS
 WEIGHT ARE IN KILOGRAMM

PART NUMBER / DWG NO.:

TKR601

| | NAME | SIGNATURE | DATE | REVISION |
|--------|------------|-----------|------------|----------|
| DRAWN | E.Reispere | | 02.07.2024 | |
| APPV'D | | | | |

DESCRIPTION:

DEER TRAIL



Tiptiptap ^{OO}

MATERIAL:

wood, metal, plastic

A4

WEIGHT:

SCALE: 1:50

SHEET 29 OF 29

1 2 3 4 5 6

A

A

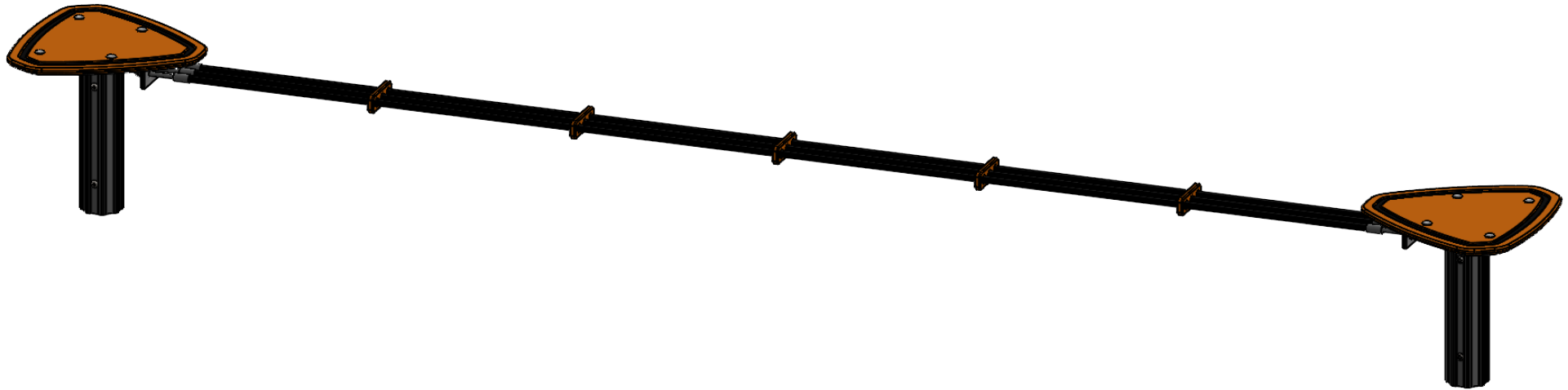
B


B

C

C

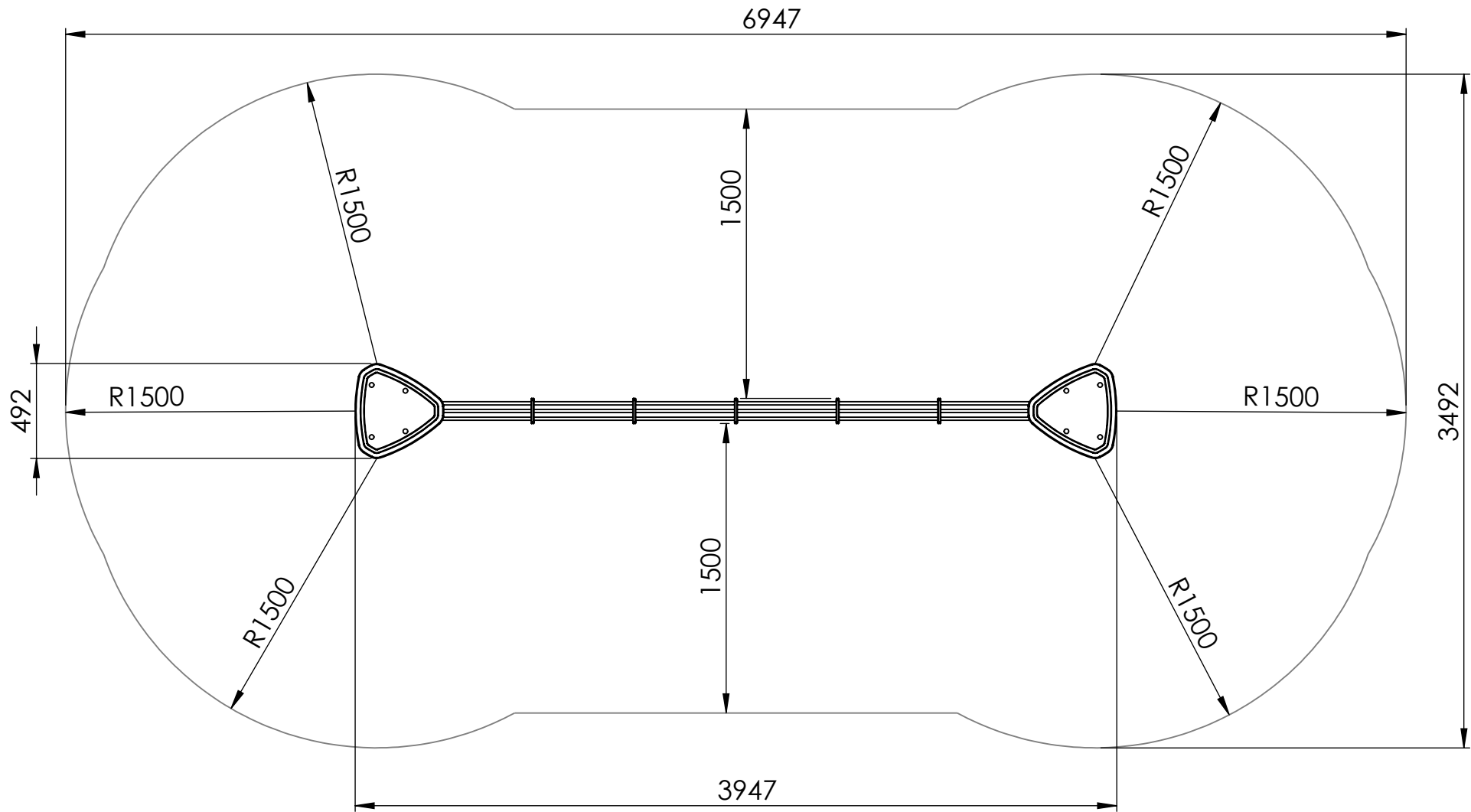
D



| | | | | | |
|---|--------|-----------|------------|-------------------------------------|-------------|
| UNLESS OTHERWISE SPECIFIED: DIMENSIONS ARE IN MILLIMETERS WEIGHT ARE IN KILOGRAMM | | | | Product code: SLAC303 | |
| | NAME | SIGNATURE | DATE | DESCRIPTION: Slackline 3m | |
| DRAWN | I.Agar | | 21.04.2023 | | |
|  Tiptiptap ^{OO} | | | | A4 | |
| | | | | WEIGHT: | SCALE: 1:15 |

1 2

Safety area



UNLESS OTHERWISE SPECIFIED:
DIMENSIONS ARE IN MILLIMETERS
WEIGHT ARE IN KILOGRAMM

| | NAME | SIGNATURE | DATE |
|-------|--------|-----------|------------|
| DRAWN | I.Agar | | 21.04.2023 |



Product code: **SLAC303**

DESCRIPTION: **Slackline 3m**

WEIGHT: SCALE: 1:30 SHEET 2 OF 6

A4

Foundation

6947

3492

Ø 400

3556

Depth of foundation: 608mm

UNLESS OTHERWISE SPECIFIED:
DIMENSIONS ARE IN MILLIMETERS
WEIGHT ARE IN KILOGRAMM

Product code: SLAC303

| | NAME | SIGNATURE | DATE |
|-------|--------|-----------|------------|
| DRAWN | I.Agar | | 21.04.2023 |

DESCRIPTION: Slackline 3m



Tiptiptap⁰⁰

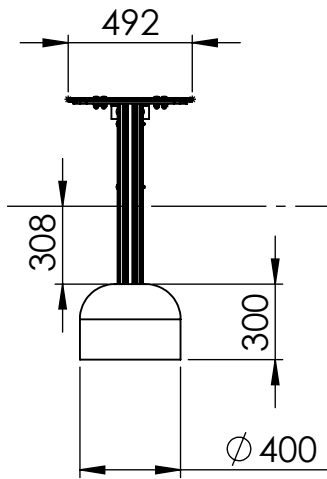
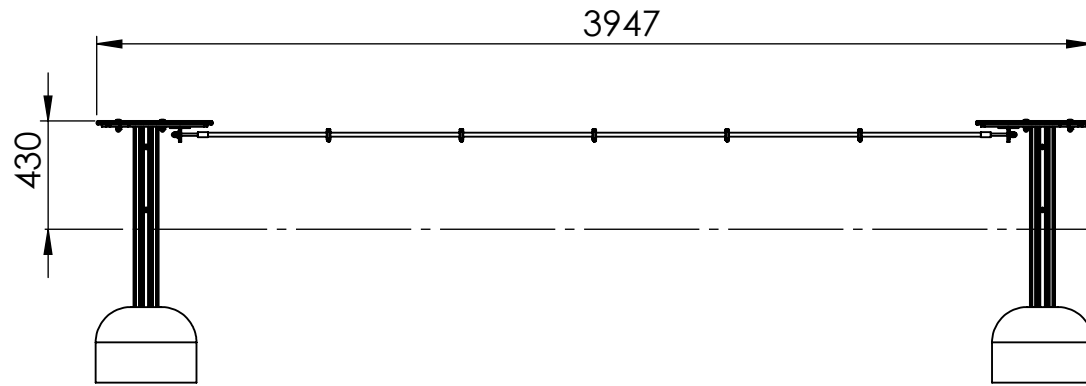
A4

WEIGHT: SCALE: 1:30 SHEET 3 OF 6

1 2 3 4 5 6

A

A



B

B

C

C

D

UNLESS OTHERWISE SPECIFIED:
 DIMENSIONS ARE IN MILLIMETERS
 WEIGHT ARE IN KILOGRAMM

| | NAME | SIGNATURE | DATE |
|-------|--------|-----------|------------|
| DRAWN | I.Agar | | 21.04.2023 |



Product code: **SLAC303**

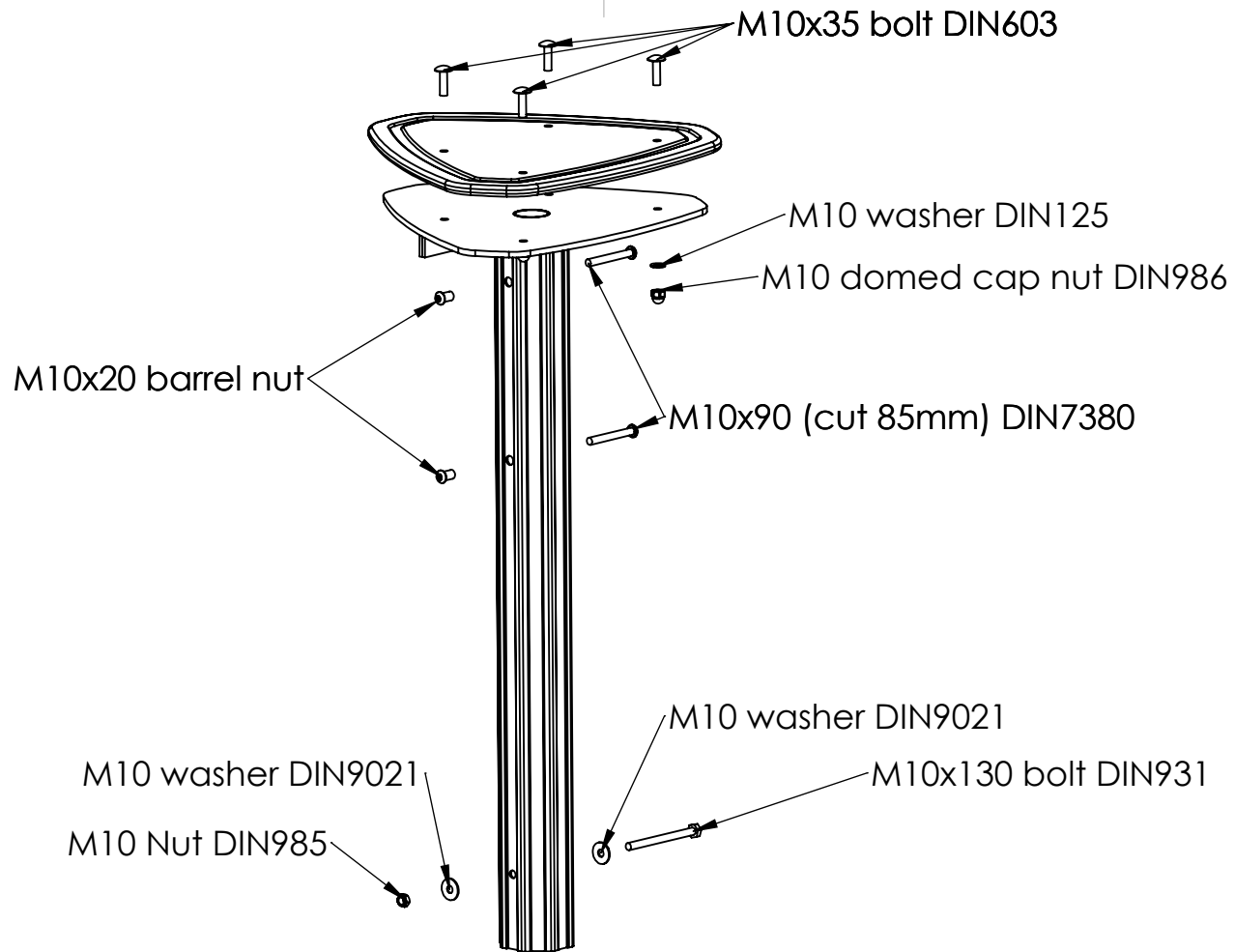
DESCRIPTION: **Slackline 3m**

A4

WEIGHT: SCALE: 1:30 SHEET 4 OF 6

1

2



UNLESS OTHERWISE SPECIFIED:
 DIMENSIONS ARE IN MILLIMETERS
 WEIGHT ARE IN KILOGRAMM

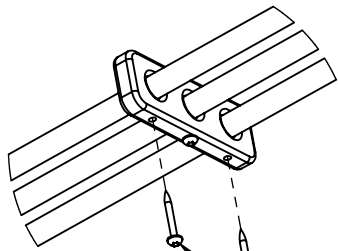
Product code: **SLAC303**

| | NAME | SIGNATURE | DATE |
|-------|--------|-----------|------------|
| DRAWN | I.Agar | | 21.04.2023 |

DESCRIPTION: **Slackline 3m**



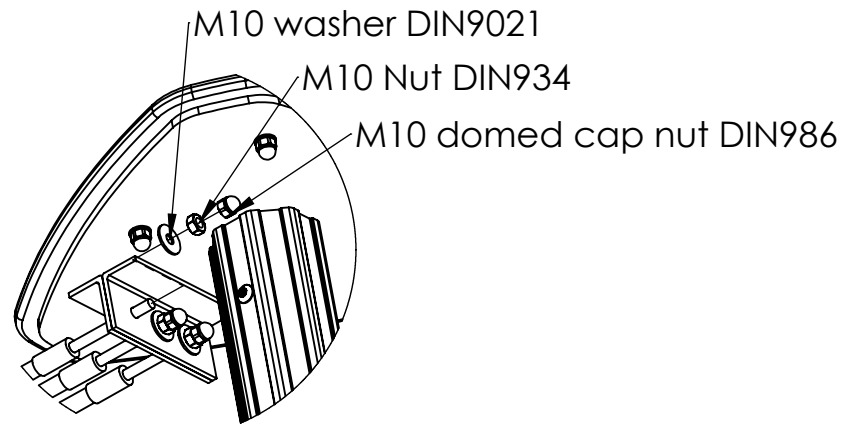
| | |
|---------|--------------|
| | A4 |
| WEIGHT: | SCALE: 1:10 |
| | SHEET 5 OF 6 |



4,2x38 ISO 14587 RV

DETAIL A

SCALE 1 : 5



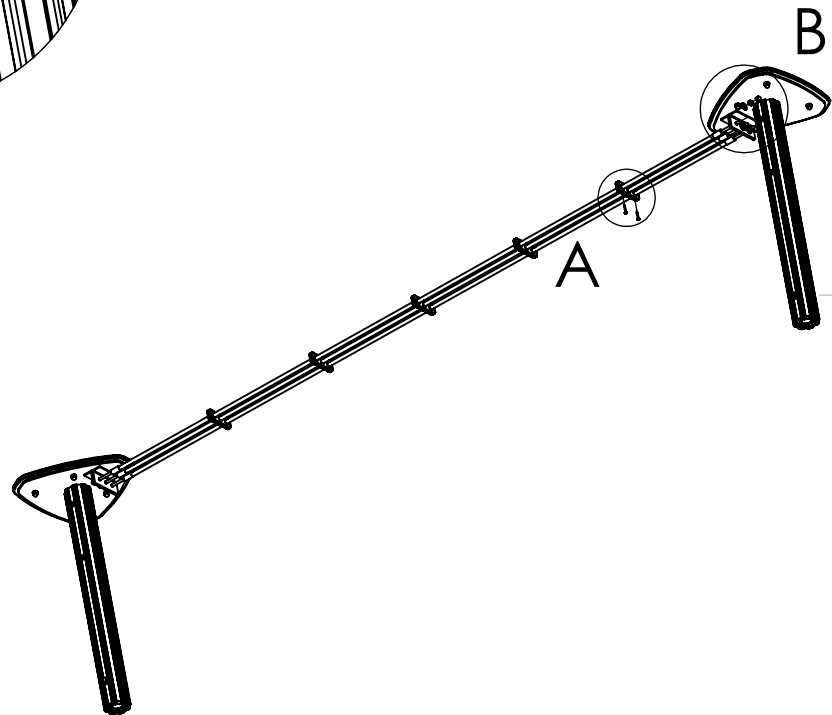
M10 washer DIN9021

M10 Nut DIN934

M10 domed cap nut DIN986

DETAIL B


SCALE 1 : 7



After attaching the rope to the platform, the plastic parts must be attached to the rope with screws.

NB! If later rope tensions:

- 1. Remove the M10 domed nut DIN986**
- 2. Evenly tighten the M10 Nut DIN934**
- 3. Cut off the protruding part of the bolt so that it is possible to attach back the M10 domed nut DIN986**

| | | | | | |
|---|--------|-----------|------------|-------------------------------------|--------------|
| UNLESS OTHERWISE SPECIFIED: DIMENSIONS ARE IN MILLIMETERS WEIGHT ARE IN KILOGRAMM | | | | Product code: SLAC303 | |
| | NAME | SIGNATURE | DATE | DESCRIPTION: Slackline 3m | |
| DRAWN | I.Agar | | 21.04.2023 | | A4 |
|  Tiptiptap ^{OO} | | | | WEIGHT: | SCALE: 1:30 |
| | | | | | SHEET 6 OF 6 |