

A

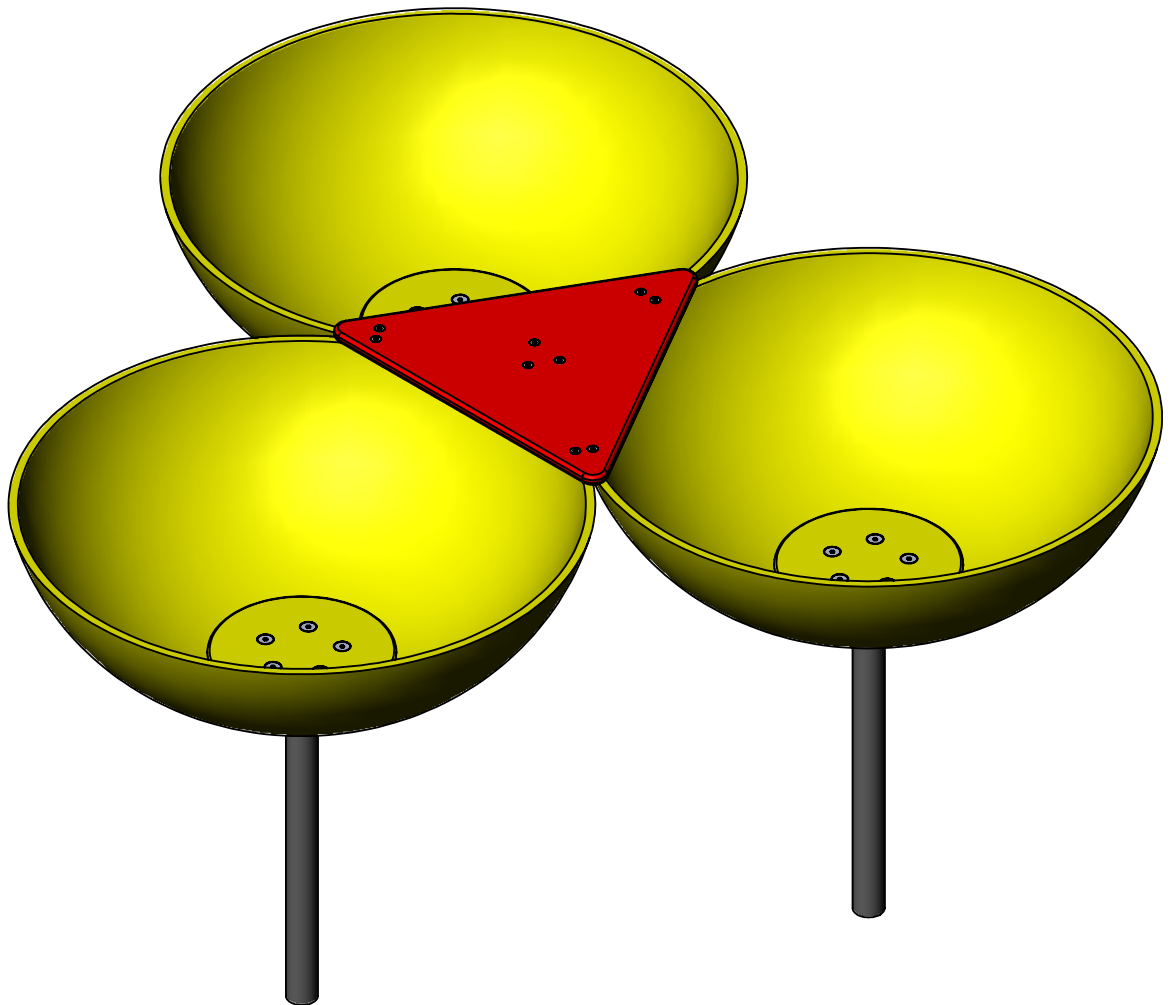
B

C

D

E

F



UNLESS OTHERWISE SPECIFIED:  
 DIMENSIONS ARE IN MILLIMETERS  
 WEIGHT ARE IN KILOGRAMM

PART NUMBER / DWG NO.:

LKL004

	NAME	SIGNATURE	DATE	REVISION
DRAWN	I.Agar		01.08.2022	
APPV'D				

DESCRIPTION:

Sand play for a wheelchair



Tiptiptap<sup>00</sup>

MATERIAL:

wood, metal, plastic

A4

WEIGHT:

SCALE: 1:10

SHEET 1 OF 6

Safety area

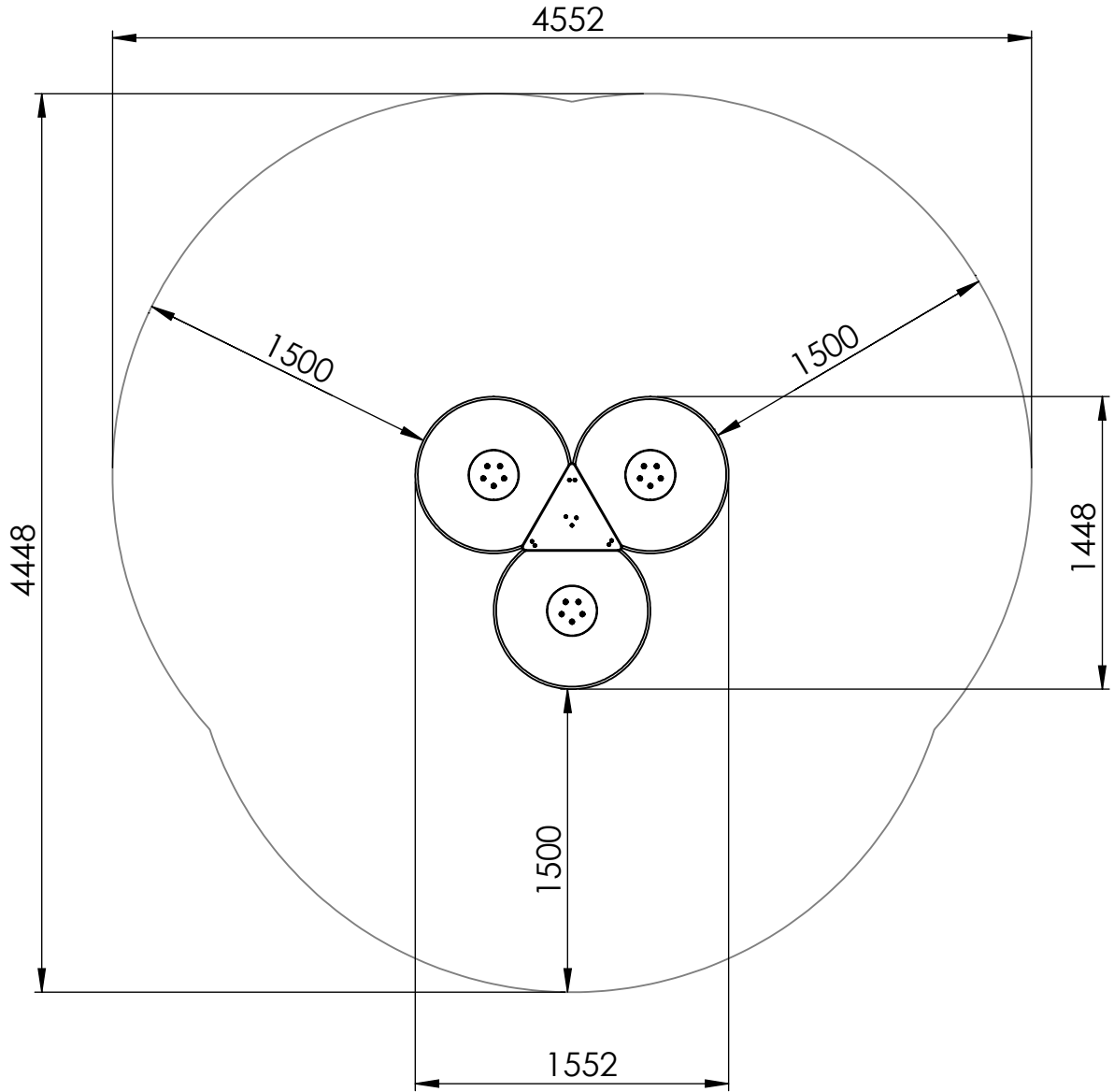
A

B

C

D

E



UNLESS OTHERWISE SPECIFIED: DIMENSIONS ARE IN MILLIMETERS WEIGHT ARE IN KILOGRAMM				
	NAME	SIGNATURE	DATE	REVISION
DRAWN	I.Agar		01.08.2022	
APPV'D				

PART NUMBER / DWG NO.: **LKL004**

DESCRIPTION:  
**Sand play for a wheelchair**



MATERIAL:	wood, metal, plastic	A4
WEIGHT:		SCALE: 1:35
		SHEET 2 OF 6

# Foundation

A

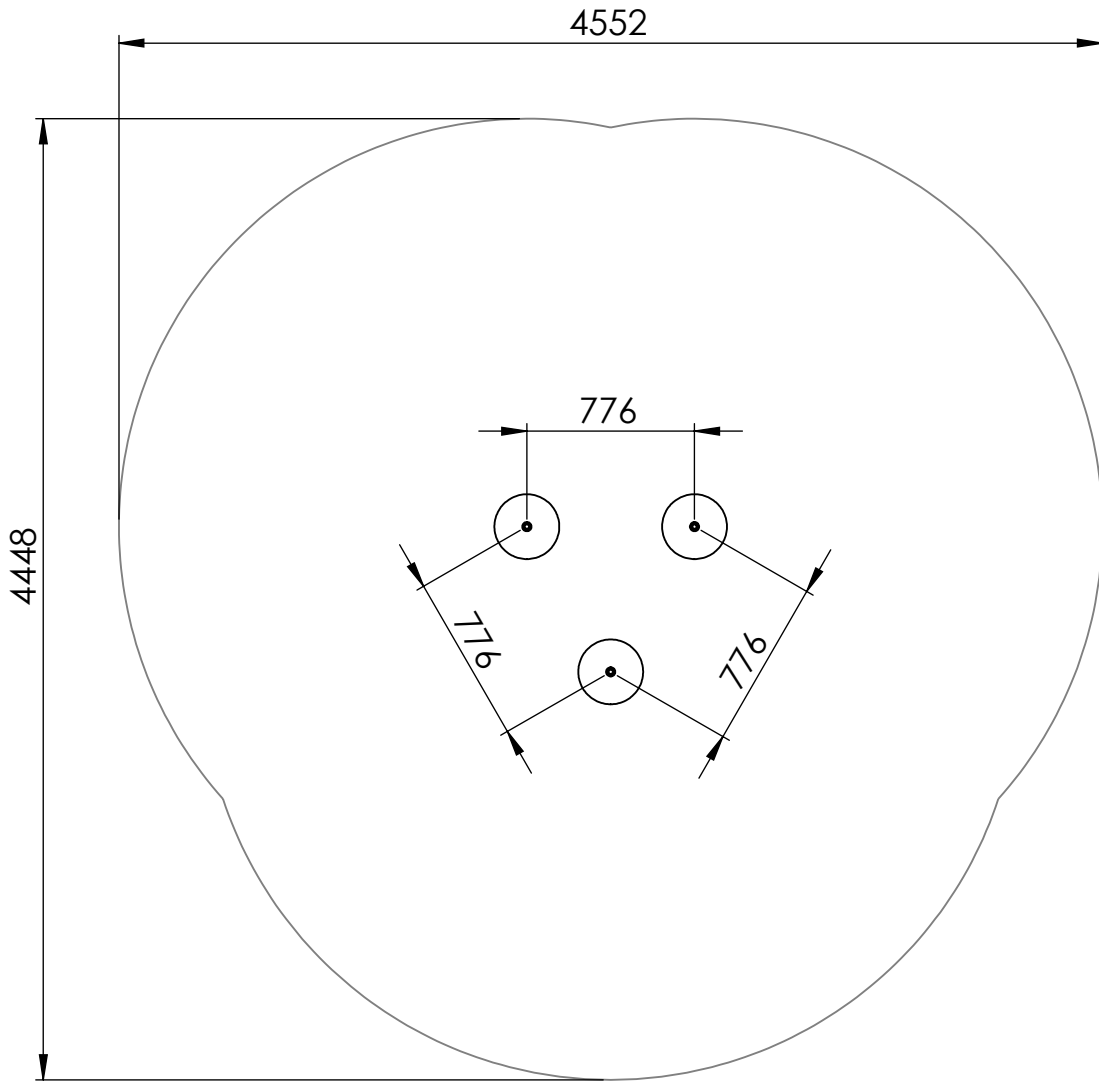
B

C

D

E

F



Depth of foundation: 600mm

UNLESS OTHERWISE SPECIFIED:  
DIMENSIONS ARE IN MILLIMETERS  
WEIGHT ARE IN KILOGRAMM

PART NUMBER / DWG NO.:

LKL004

	NAME	SIGNATURE	DATE	REVISION
DRAWN	I.Agar		01.08.2022	
APPV'D				

DESCRIPTION:

Sand play for a wheelchair

MATERIAL:

wood, metal, plastic

A4

WEIGHT:

SCALE: 1:35

SHEET 3 OF 6



**Tiptiptap** <sup>ÖÜ</sup>

A

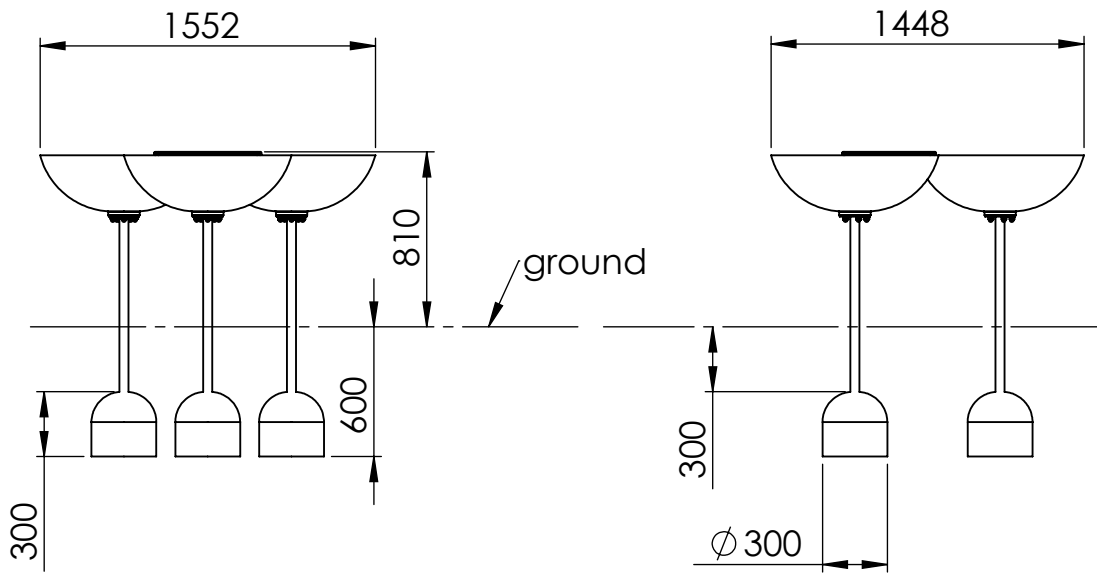
B

C

D

E

F



UNLESS OTHERWISE SPECIFIED:  
 DIMENSIONS ARE IN MILLIMETERS  
 WEIGHT ARE IN KILOGRAMM

PART NUMBER / DWG NO.:  
**LKL004**

	NAME	SIGNATURE	DATE	REVISION
DRAWN	I.Agar		01.08.2022	
APPV'D				

DESCRIPTION:  
**Sand play for a wheelchair**



MATERIAL:	wood, metal, plastic	A4
WEIGHT:		SCALE: 1:35
		SHEET 4 OF 6

A

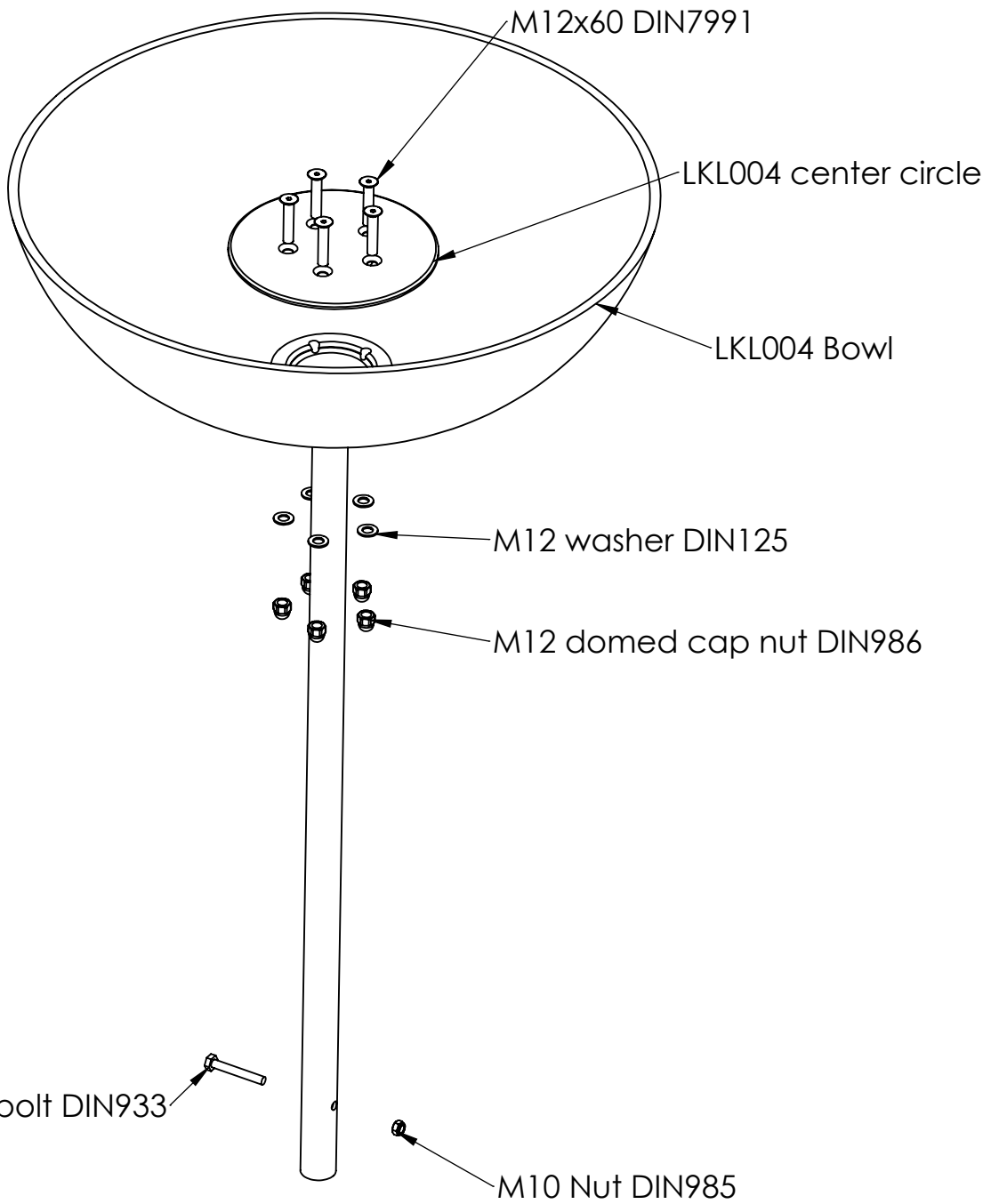
B

C

D

E

F



UNLESS OTHERWISE SPECIFIED:  
 DIMENSIONS ARE IN MILLIMETERS  
 WEIGHT ARE IN KILOGRAMM

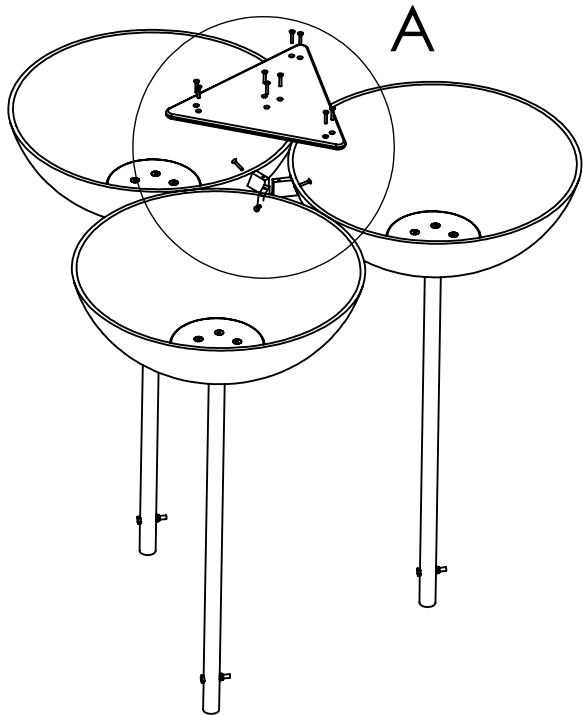
PART NUMBER / DWG NO.: **LKL004**

	NAME	SIGNATURE	DATE	REVISION
DRAWN	I.Agar		01.08.2022	
APPV'D				

DESCRIPTION:  
**Sand play for a wheelchair**



MATERIAL:	wood, metal, plastic	A4
WEIGHT:		SCALE: 1:8
		SHEET 5 OF 6



LKL004 triangle plastic

M6x35 DIN7991


M6x35 DIN7991

M6x35 DIN7991

LKL004 Bowl corner

M6x35 DIN7991

DETAIL A  
SCALE 1 : 8

UNLESS OTHERWISE SPECIFIED: DIMENSIONS ARE IN MILLIMETERS WEIGHT ARE IN KILOGRAMM					PART NUMBER / DWG NO.: <b>LKL004</b>	
	NAME	SIGNATURE	DATE	REVISION	DESCRIPTION: <b>Sand play for a wheelchair</b>	
DRAWN	I.Agar		01.08.2022			
APPV'D						
 <b>Tiptap</b> <sup>OU</sup>					MATERIAL: wood, metal, plastic	
					A4	
					WEIGHT:	
					SCALE: 1:20	SHEET 6 OF 6