

A

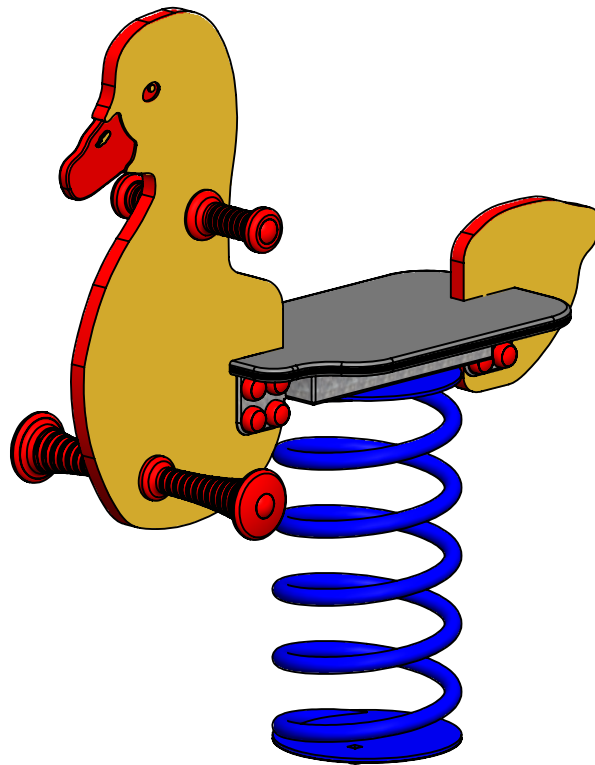
B

C

D

E

F



UNLESS OTHERWISE SPECIFIED:
 DIMENSIONS ARE IN MILLIMETERS
 WEIGHT ARE IN KILOGRAMM

PART NUMBER / DWG NO.:

VL54

	NAME	SIGNATURE	DATE	REVISION
DRAWN	E.Reispere		31.10.2022	
APPV'D				

DESCRIPTION:

Spring swing DUCKLING



Tiptiptap⁰⁰

MATERIAL:

metal, plastic

A4

WEIGHT:

SCALE: 1:20

SHEET 1 OF 9

safety area

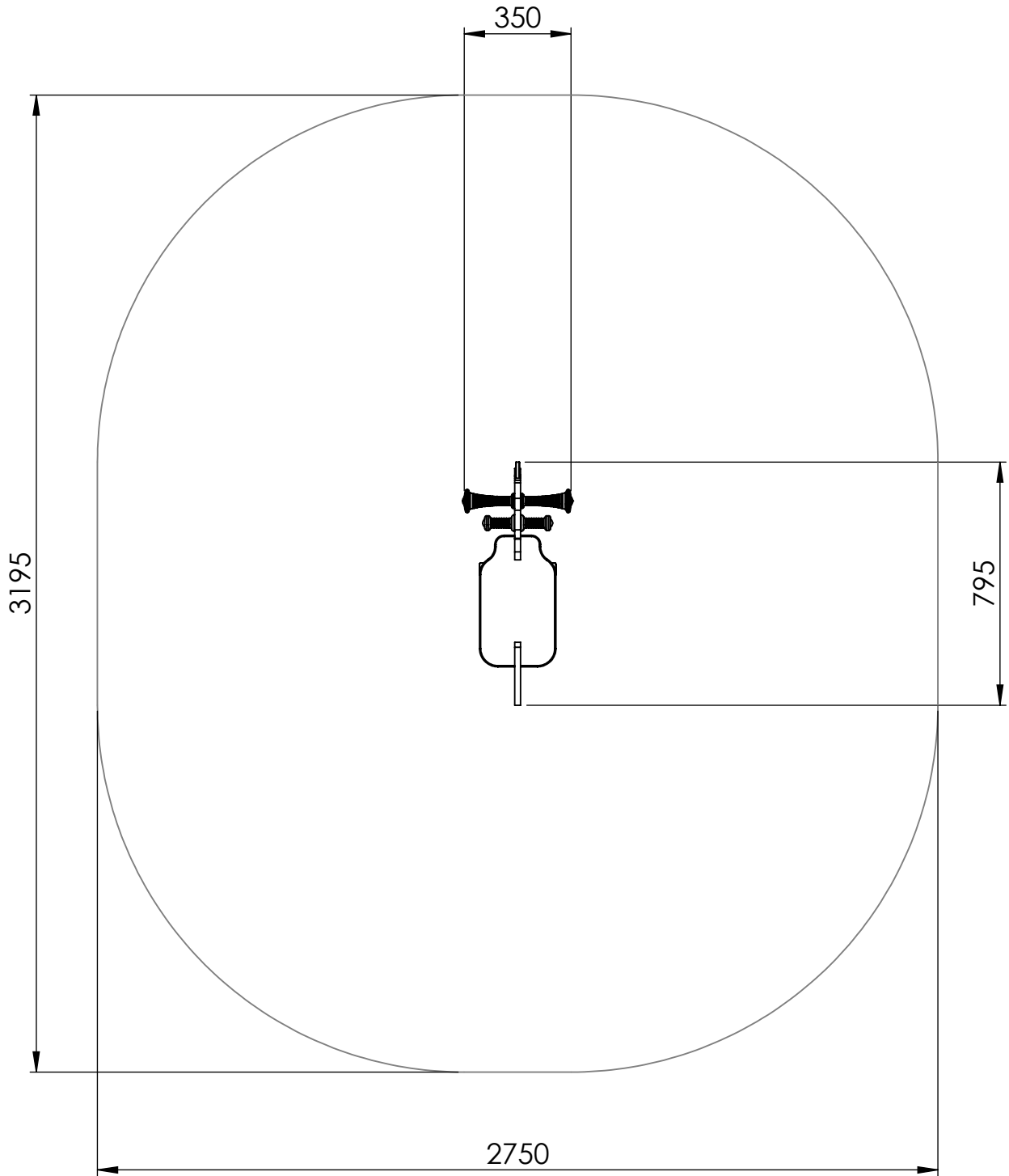
A

B

C

D

E



UNLESS OTHERWISE SPECIFIED:
 DIMENSIONS ARE IN MILLIMETERS
 WEIGHT ARE IN KILOGRAMM

PART NUMBER / DWG NO.:
VL54

	NAME	SIGNATURE	DATE	REVISION
DRAWN	E.Reispere		31.10.2022	
APPV'D				

DESCRIPTION:
Spring swing DUCKLING



MATERIAL: metal, plastic A4

WEIGHT: SCALE: 1:20 SHEET 2 OF 9

foundation

A

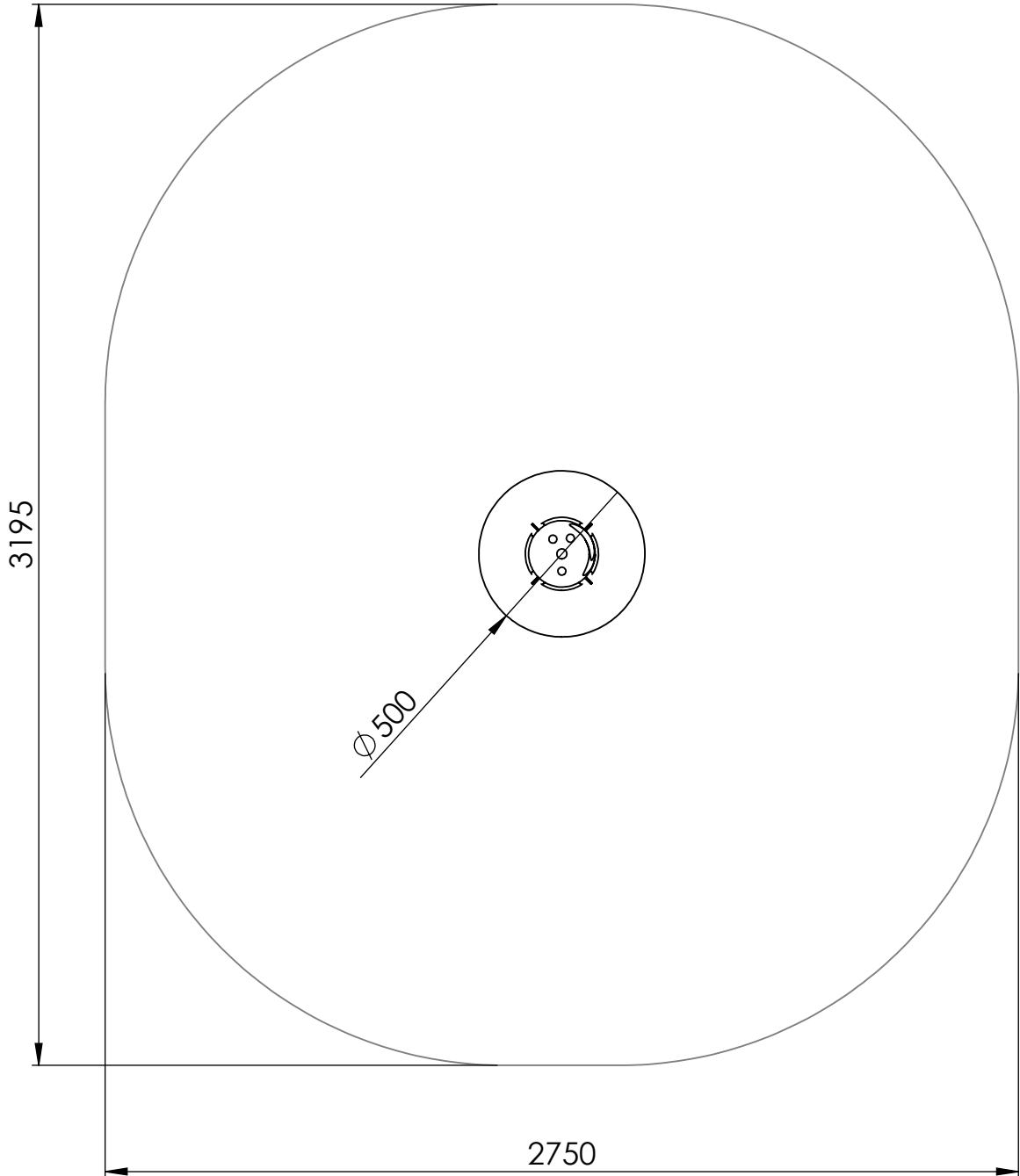
B

C

D

E

F



UNLESS OTHERWISE SPECIFIED:
 DIMENSIONS ARE IN MILLIMETERS
 WEIGHT ARE IN KILOGRAMM

PART NUMBER / DWG NO.:
VL54

	NAME	SIGNATURE	DATE	REVISION
DRAWN	E.Reispere		31.10.2022	
APPV'D				

DESCRIPTION:
Spring swing DUCKLING



MATERIAL: metal, plastic A4

WEIGHT: SCALE: 1:20 SHEET 3 OF 9

dimensions

A

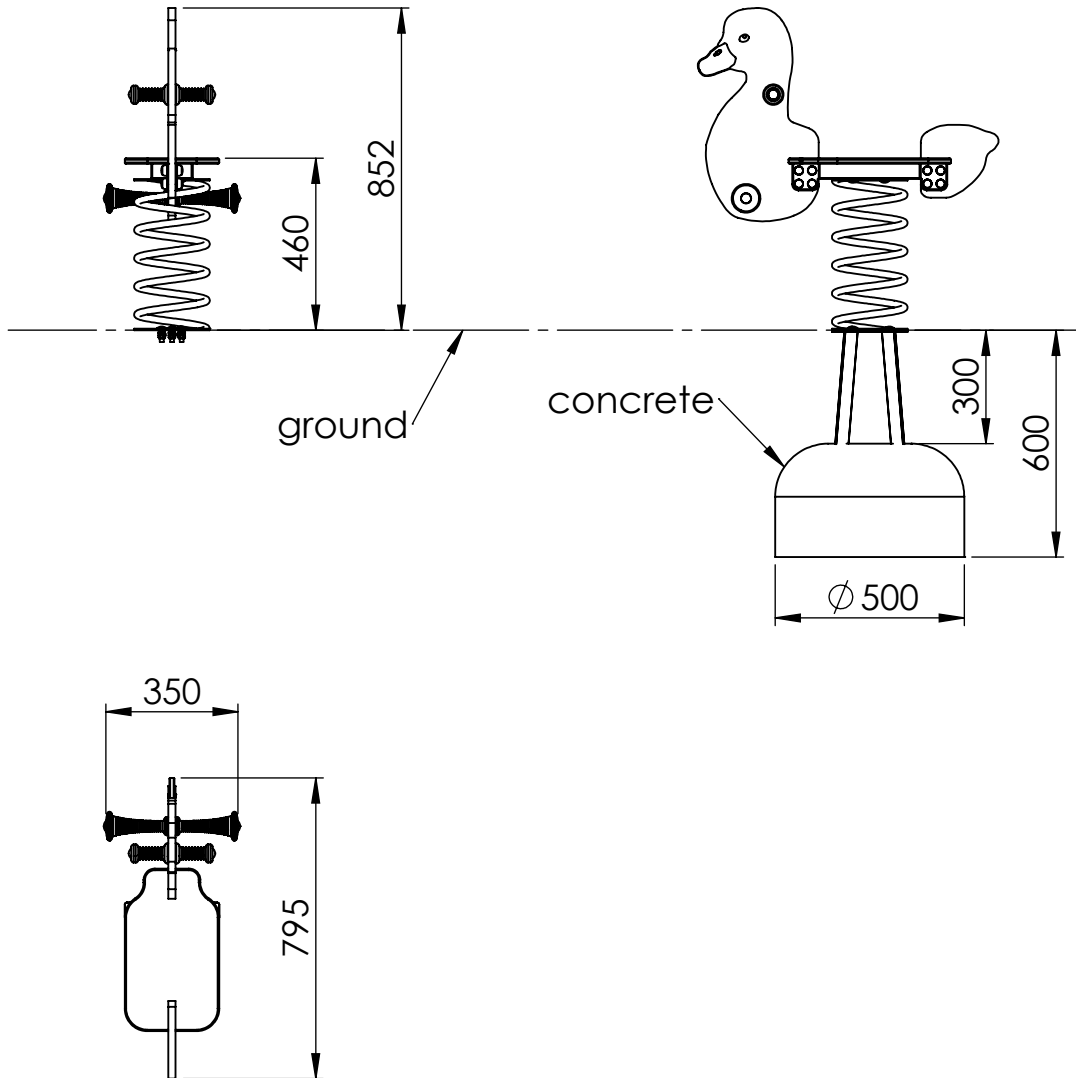
B

C

D

E

F



UNLESS OTHERWISE SPECIFIED:
 DIMENSIONS ARE IN MILLIMETERS
 WEIGHT ARE IN KILOGRAMM

PART NUMBER / DWG NO.:

VL54

	NAME	SIGNATURE	DATE	REVISION
DRAWN	E.Reispere		31.10.2022	
APPV'D				

DESCRIPTION:

Spring swing DUCKLING

MATERIAL:

metal, plastic

A4

WEIGHT:

SCALE: 1:20

SHEET 4 OF 9



Tiptiptap ^{OO}

A

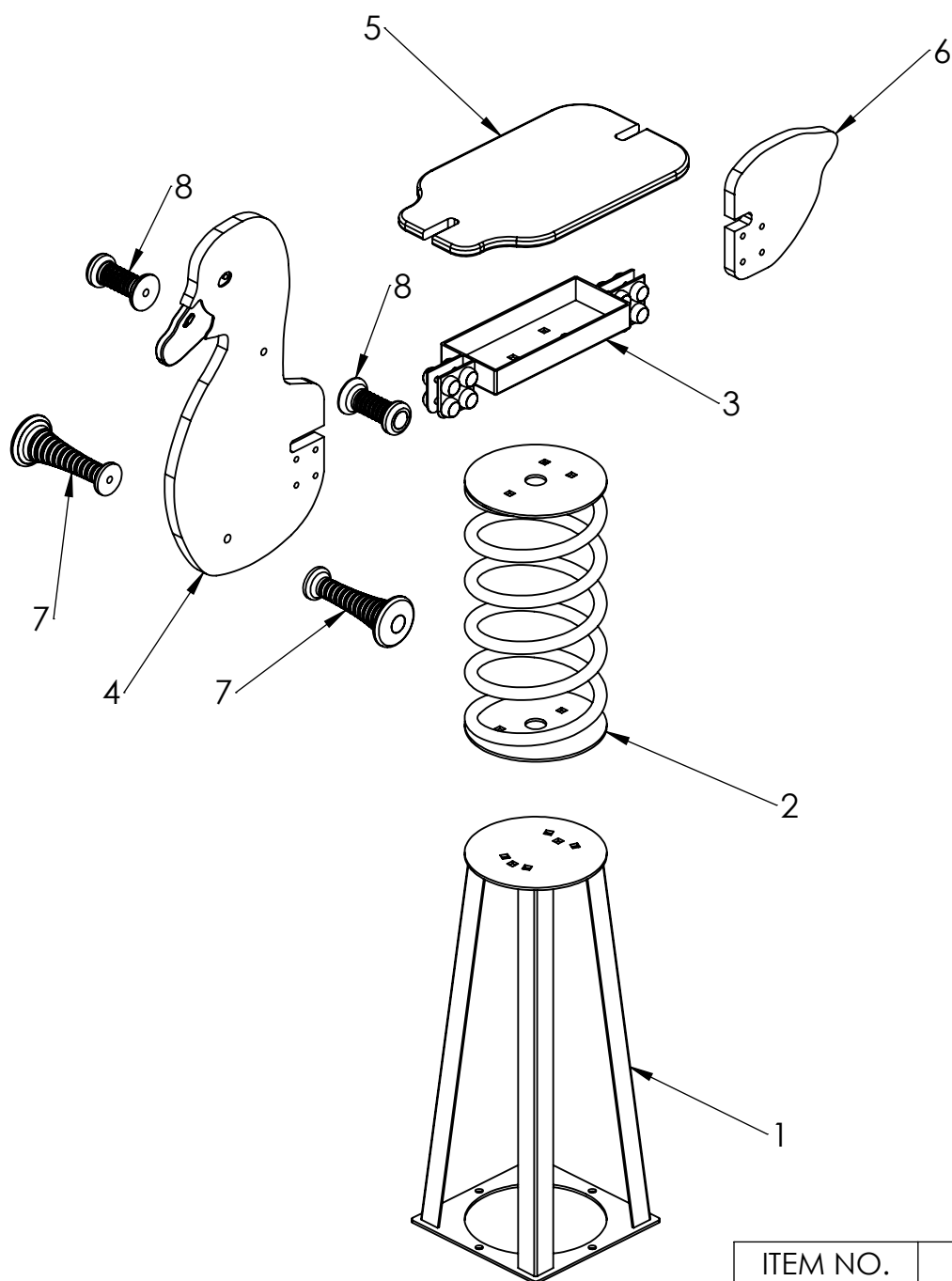
B

C

D

E

F



ITEM NO.	PART NUMBER
1	ground fixing
2	spring with spring disk
3	central console
4	head duckling
5	seat for spring swing
6	Ugly duckling tail
7	leg support n
8	handle new

UNLESS OTHERWISE SPECIFIED:
DIMENSIONS ARE IN MILLIMETERS
WEIGHT ARE IN KILOGRAMM

PART NUMBER / DWG NO.:

VL54

	NAME	SIGNATURE	DATE	REVISION
DRAWN	E.Reispere		31.10.2022	
APPV'D				

DESCRIPTION:

Spring swing DUCKLING

MATERIAL:

metal, plastic

A4

WEIGHT:

SCALE: 1:20

SHEET 5 OF 9



Tiptap OÜ

A

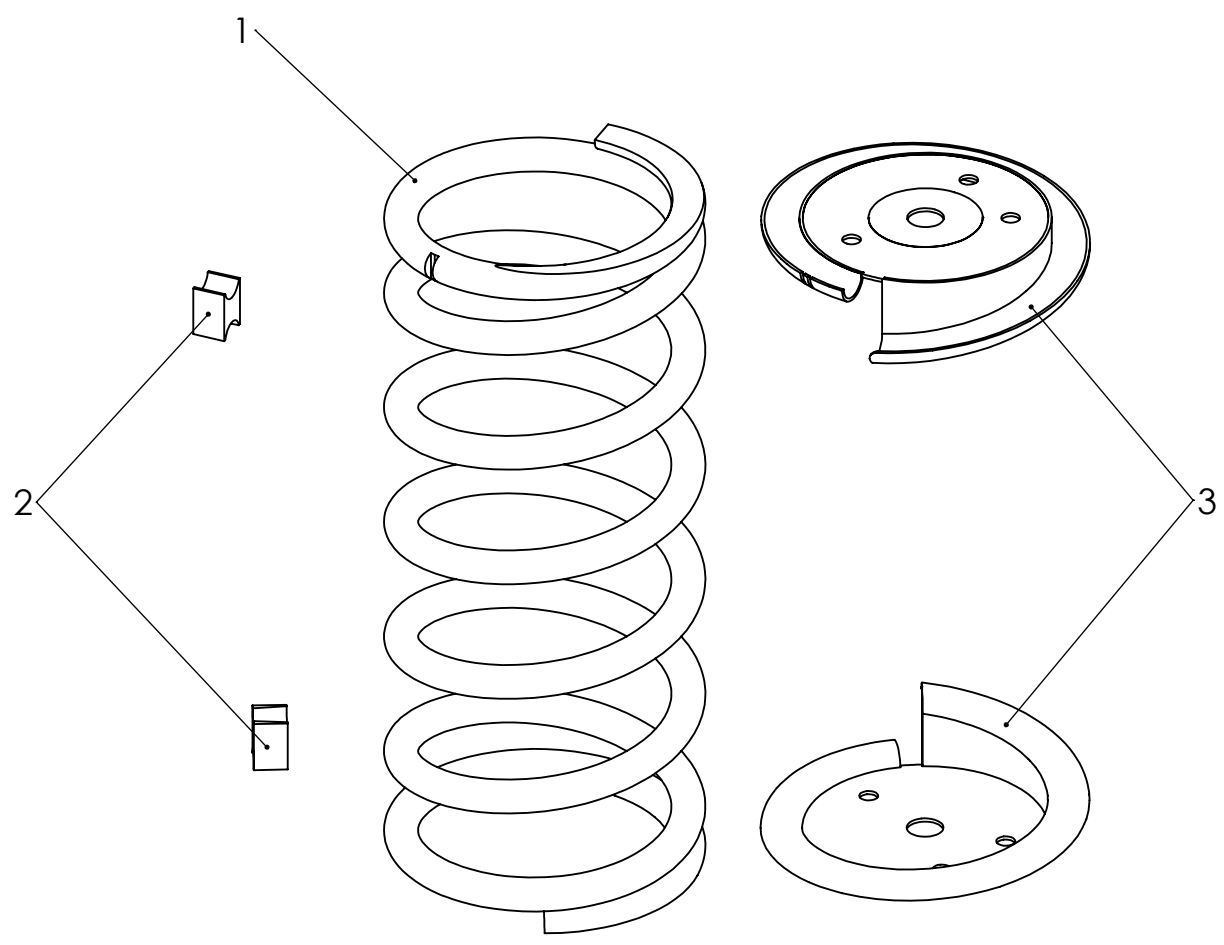
B

C

D

E

F



ITEM NO.	PART NUMBER	DESCRIPTION	QTY.
1	spring	painted steel	1
2	distance block	HP plastic	2
3	spring plate	painted steel	2

UNLESS OTHERWISE SPECIFIED:
 DIMENSIONS ARE IN MILLIMETERS
 WEIGHT ARE IN KILOGRAMM

PART NUMBER / DWG NO.:
VL54

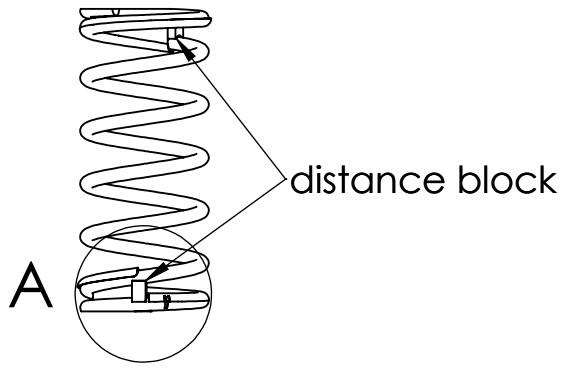
	NAME	SIGNATURE	DATE	REVISION
DRAWN	E.Reispere		31.10.2022	
APPV'D				

DESCRIPTION:
Spring swing DUCKLING

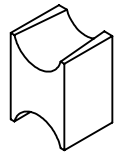
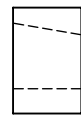
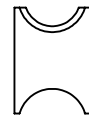


MATERIAL:	metal, plastic	A4
WEIGHT:	SCALE: 1:4	SHEET 6 OF 9

A



view 1



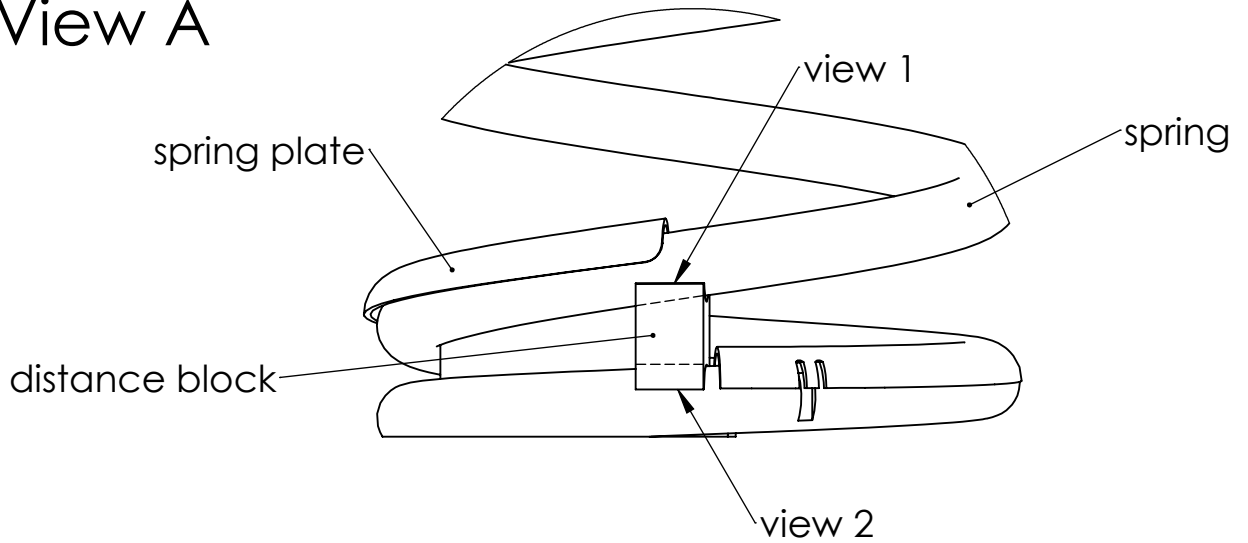
view 2



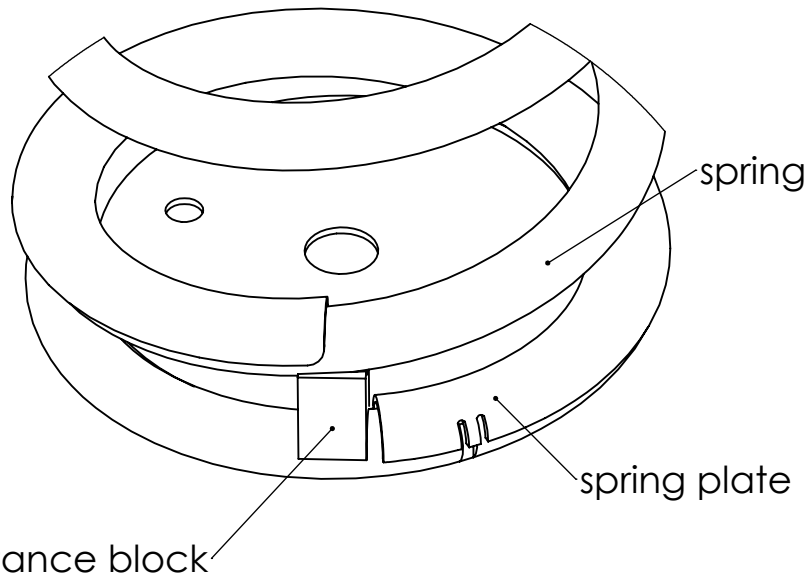
B

View A

C



D



E

F

UNLESS OTHERWISE SPECIFIED:
 DIMENSIONS ARE IN MILLIMETERS
 WEIGHT ARE IN KILOGRAMM

PART NUMBER / DWG NO.:

VL54

	NAME	SIGNATURE	DATE	REVISION
DRAWN	E.Reispere		31.10.2022	
APPV'D				

DESCRIPTION:

Spring swing DUCKLING

MATERIAL:

metal, plastic

A4

WEIGHT:

SCALE: 1:4

SHEET 7 OF 9



Tiptiptap⁰⁰

A

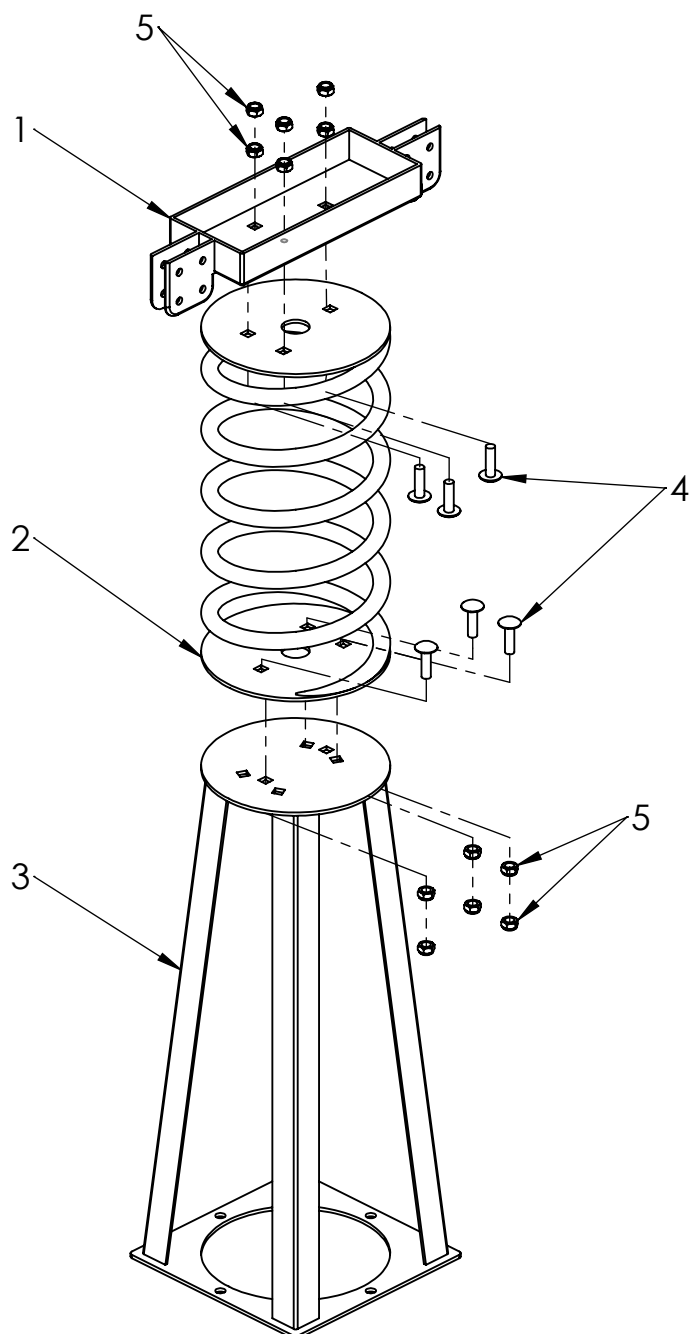
B

C

D

E

F



ITEM NO.	PART NUMBER
1	central console
2	spring with spring disk
3	ground fixing
4	bolt DIN603 M10x35
5	nut DIN985 M10

UNLESS OTHERWISE SPECIFIED:
DIMENSIONS ARE IN MILLIMETERS
WEIGHT ARE IN KILOGRAMM

PART NUMBER / DWG NO.:

VL54

	NAME	SIGNATURE	DATE	REVISION
DRAWN	E.Reispere		31.10.2022	
APPV'D				

DESCRIPTION:

Spring swing DUCKLING

MATERIAL:

metal, plastic

A4

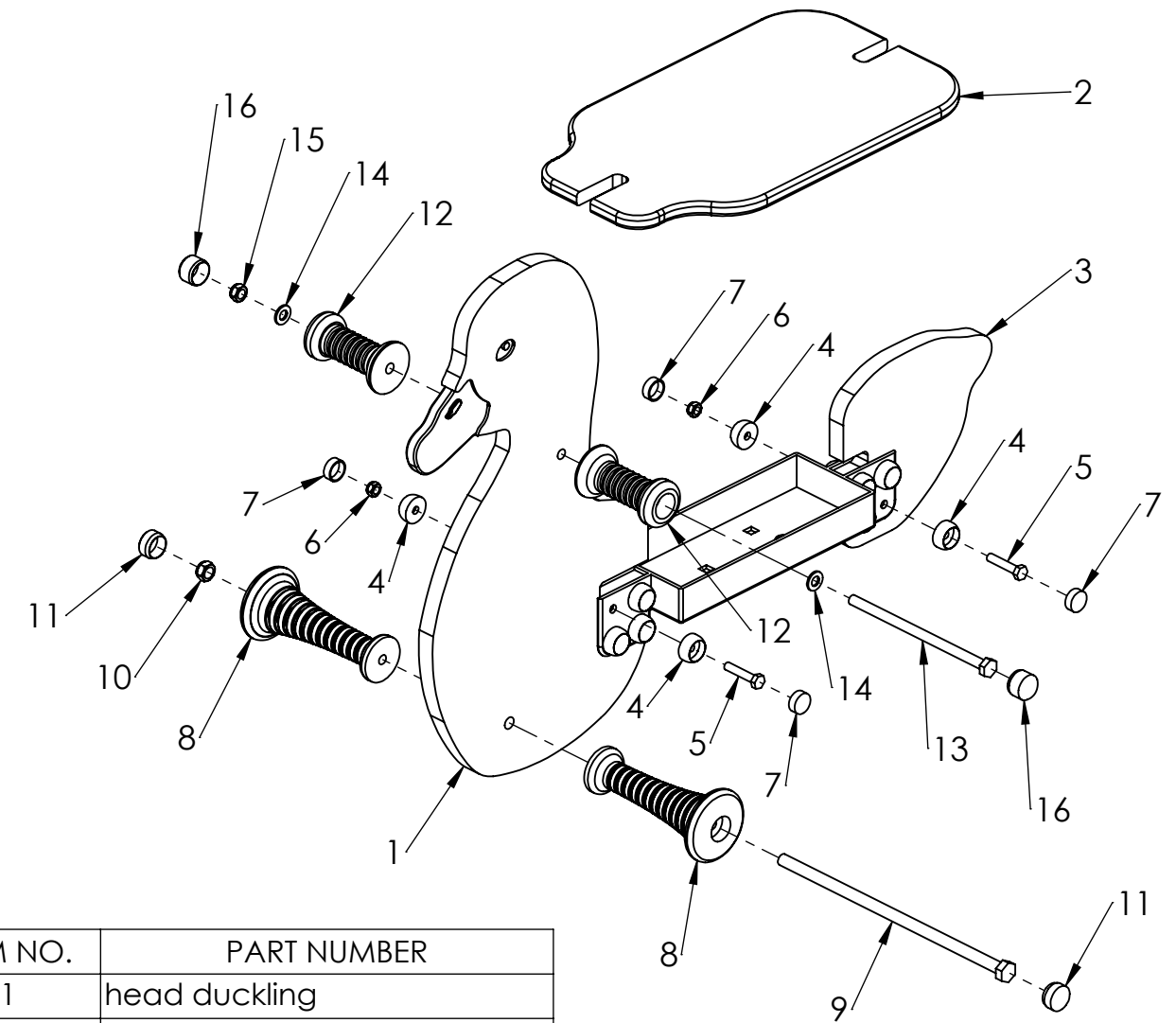
WEIGHT:

SCALE: 1:10

SHEET 8 OF 9



Tiptiptap ^{OO}



ITEM NO.	PART NUMBER
1	head duckling
2	seat for spring swing
3	Ugly duckling tail
4	nut cover M8
5	bolt DIN933 M8x40
6	nut DIN985 M8
7	nut cover cap M8
8	leg support n
9	bolt M12x305 DIN931
10	nut DIN985 M12
11	leg support n cover cup
12	handle new
13	bolt M10x185 DIN931
14	washer M10 DIN125
15	nut DIN985 M10
16	handle new cup

UNLESS OTHERWISE SPECIFIED:
DIMENSIONS ARE IN MILLIMETERS
WEIGHT ARE IN KILOGRAMM

PART NUMBER / DWG NO.:

VL54

	NAME	SIGNATURE	DATE	REVISION
DRAWN	E.Reispere		31.10.2022	
APPV'D				

DESCRIPTION:

Spring swing DUCKLING



Tiptiptap OÜ

Tiptiptap OÜ
Veetorni 9,
Jüri alevik, Rae vald,
75301 Harjumaa

MATERIAL:

metal, plastic

A4

WEIGHT:

SCALE: 1:10

SHEET 9 OF 9