

A

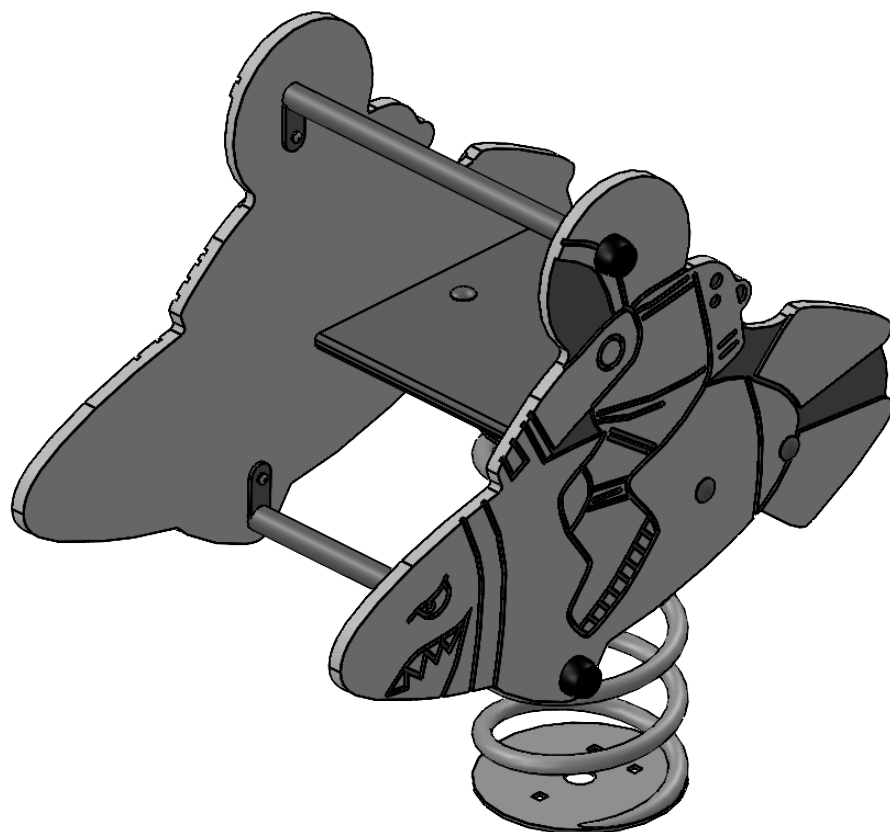
B

C

D

E

F



UNLESS OTHERWISE SPECIFIED:
DIMENSIONS ARE IN MILLIMETERS
WEIGHT ARE IN KILOGRAMM

PART NUMBER / DWG NO.:

VLI57

	NAME	SIGNATURE	DATE	REVISION
DRAWN	E:Reispere		01.08.2022	
APPV'D				

DESCRIPTION:

Spring swing ASTRONAUT



Tiptiptap OÜ

Tiptiptap OÜ
Veetorni 9,
Jüri alevik, Rae vald,
75301 Harjumaa

MATERIAL:

metal, plastic

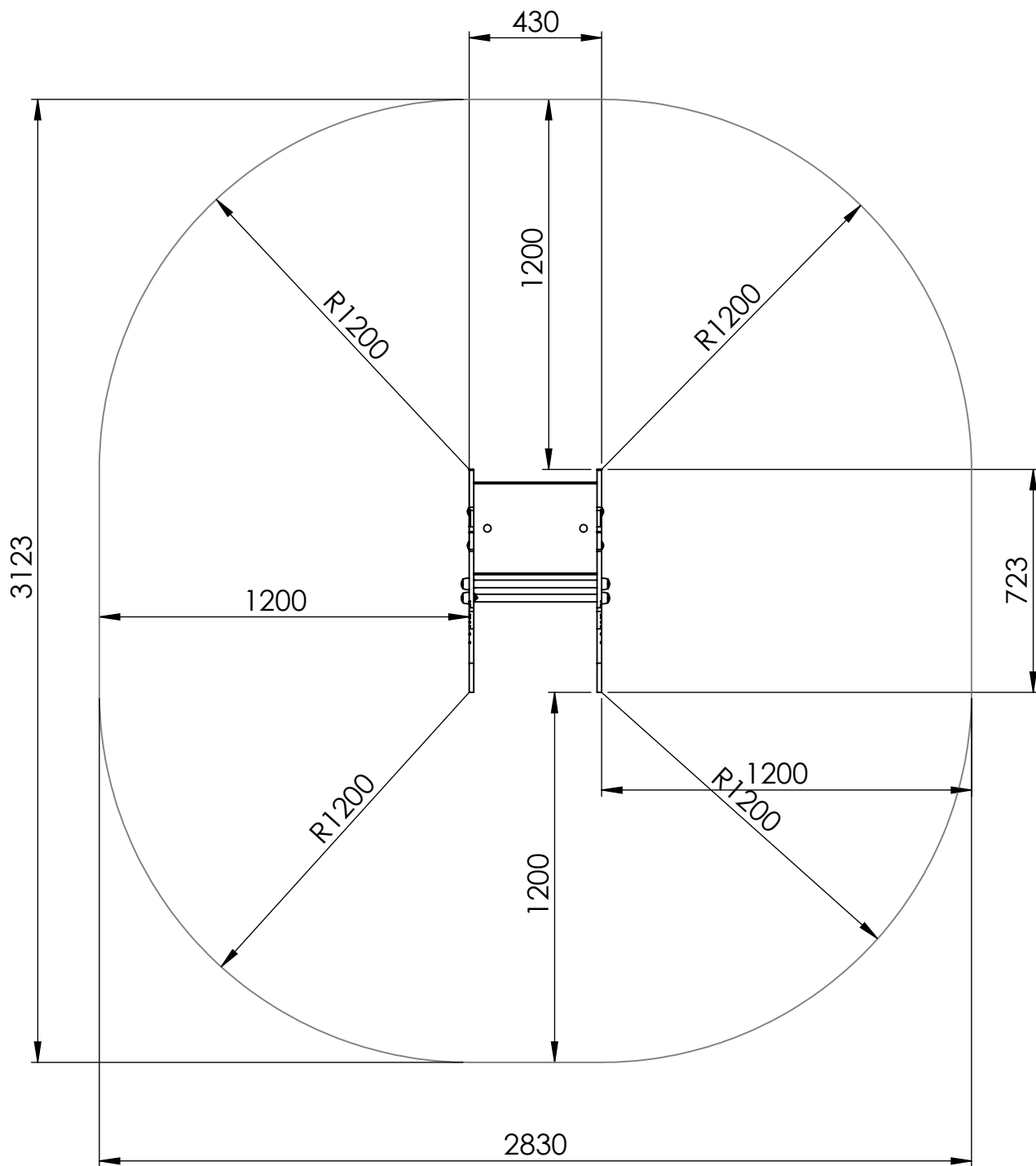
A4

WEIGHT:

SCALE: 1:20

SHEET 1 OF 9

safety area



UNLESS OTHERWISE SPECIFIED:
DIMENSIONS ARE IN MILLIMETERS
WEIGHT ARE IN KILOGRAMM

PART NUMBER / DWG NO.:

VLI57

	NAME	SIGNATURE	DATE	REVISION
DRAWN	E:Reispere		01.08.2022	
APPV'D				

DESCRIPTION:

Spring swing ASTRONAUT



Tiptap OÜ

Tiptap OÜ
Veetorni 9,
Jüri alevik, Rae vald,
75301 Harjumaa

MATERIAL:

metal, plastic

A4

WEIGHT:

SCALE: 1:20

SHEET 2 OF 9

foundation

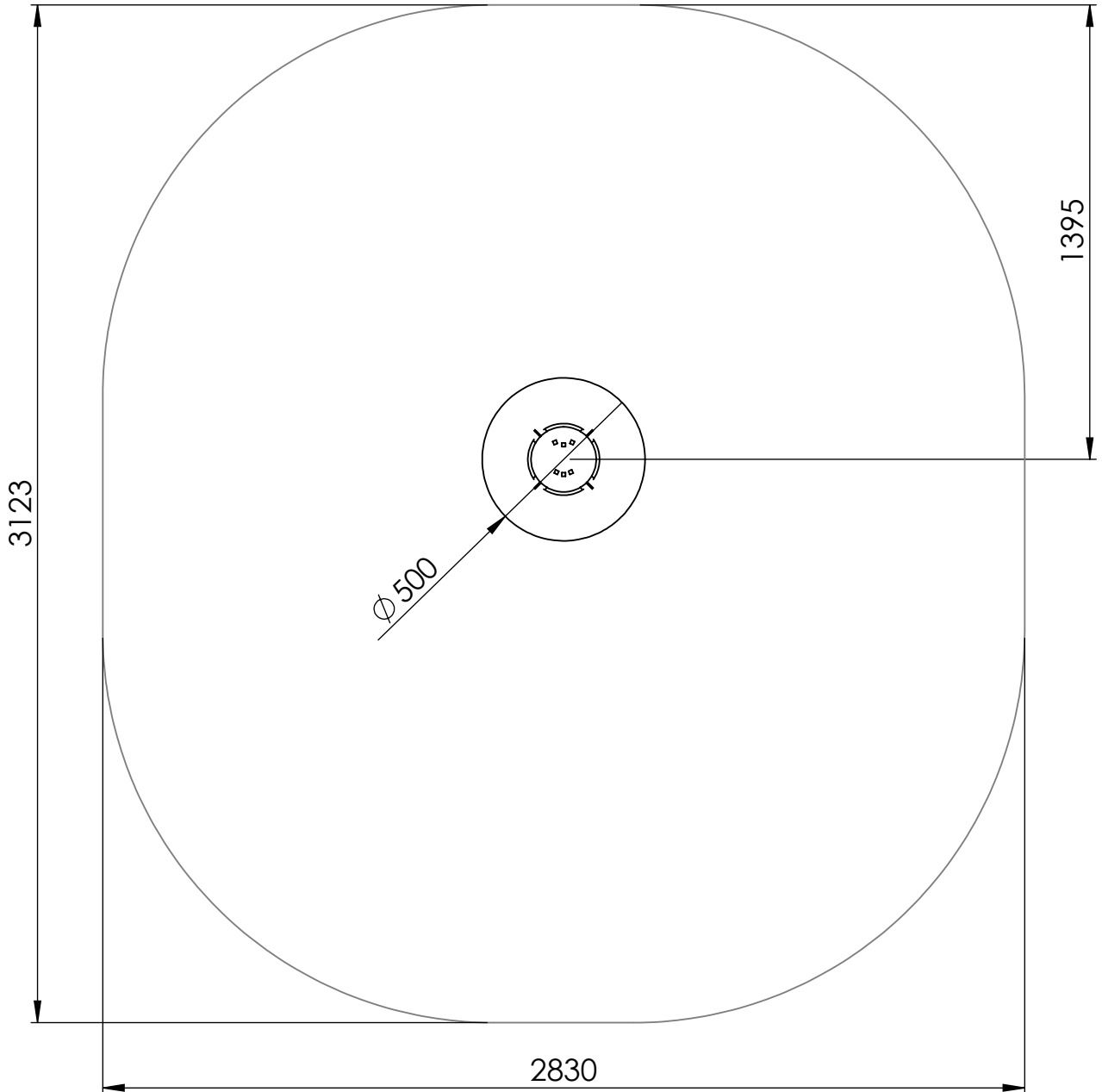
A

B

C

D

E



UNLESS OTHERWISE SPECIFIED:
DIMENSIONS ARE IN MILLIMETERS
WEIGHT ARE IN KILOGRAMM

PART NUMBER / DWG NO.:

VLI57

	NAME	SIGNATURE	DATE	REVISION
DRAWN	E:Reispere		01.08.2022	
APPV'D				

DESCRIPTION:

Spring swing ASTRONAUT

F



Tiptaptap OÜ

Tiptaptap OÜ
Veetorni 9,
Jüri alevik, Rae vald,
75301 Harjumaa

MATERIAL:

metal, plastic

A4

WEIGHT:

SCALE: 1:20

SHEET 3 OF 9

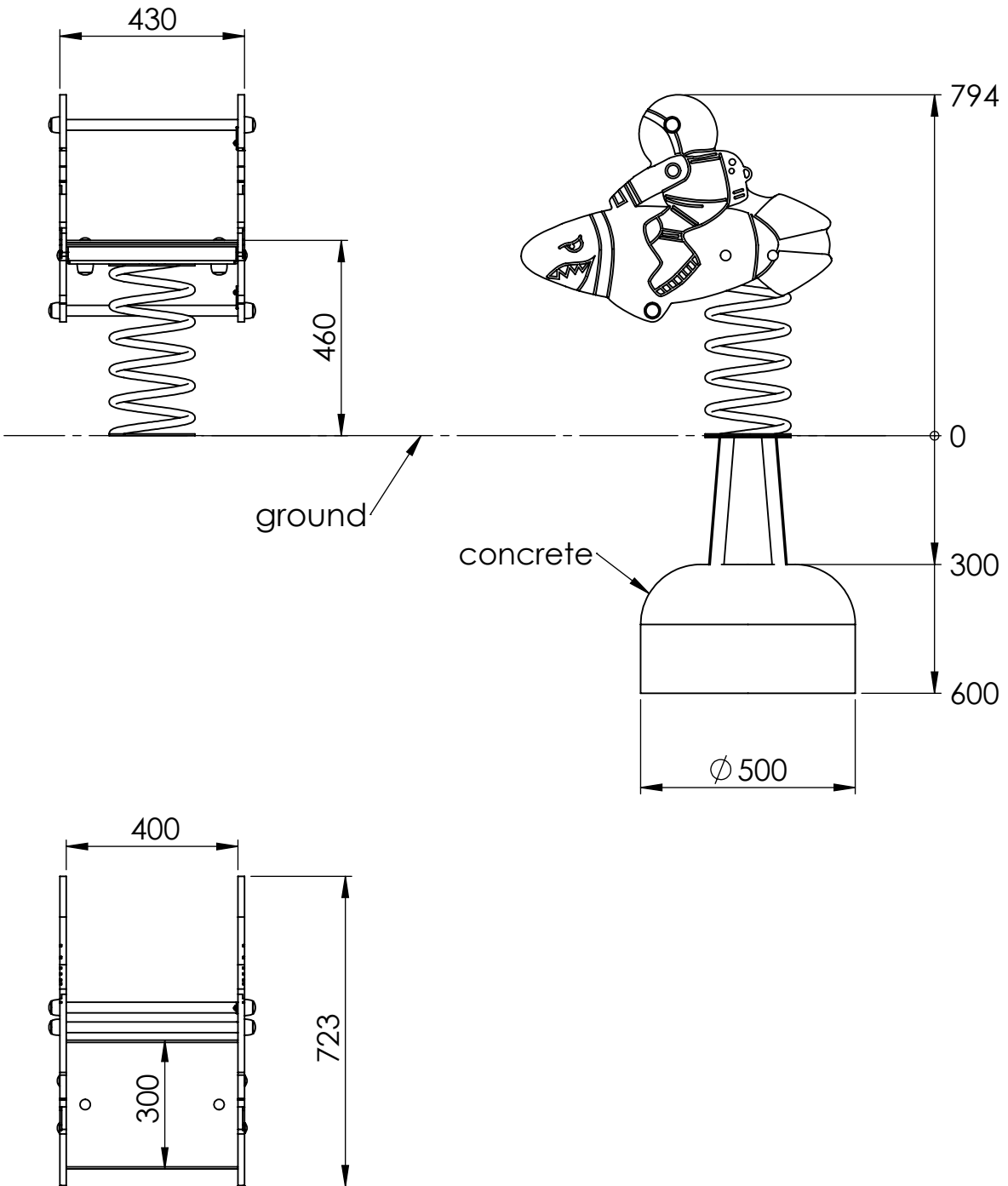
A

B

C

D

E



UNLESS OTHERWISE SPECIFIED:
 DIMENSIONS ARE IN MILLIMETERS
 WEIGHT ARE IN KILOGRAMM

PART NUMBER / DWG NO.:
VLI57

	NAME	SIGNATURE	DATE	REVISION
DRAWN	E:Reispere		01.08.2022	
APPV'D				

DESCRIPTION:
Spring swing ASTRONAUT



Tiptiptap OÜ
 Veetorni 9,
 Jüri alevik, Rae vald,
 75301 Harjumaa

MATERIAL:	metal, plastic	A4
WEIGHT:	SCALE: 1:15	SHEET 4 OF 9

A

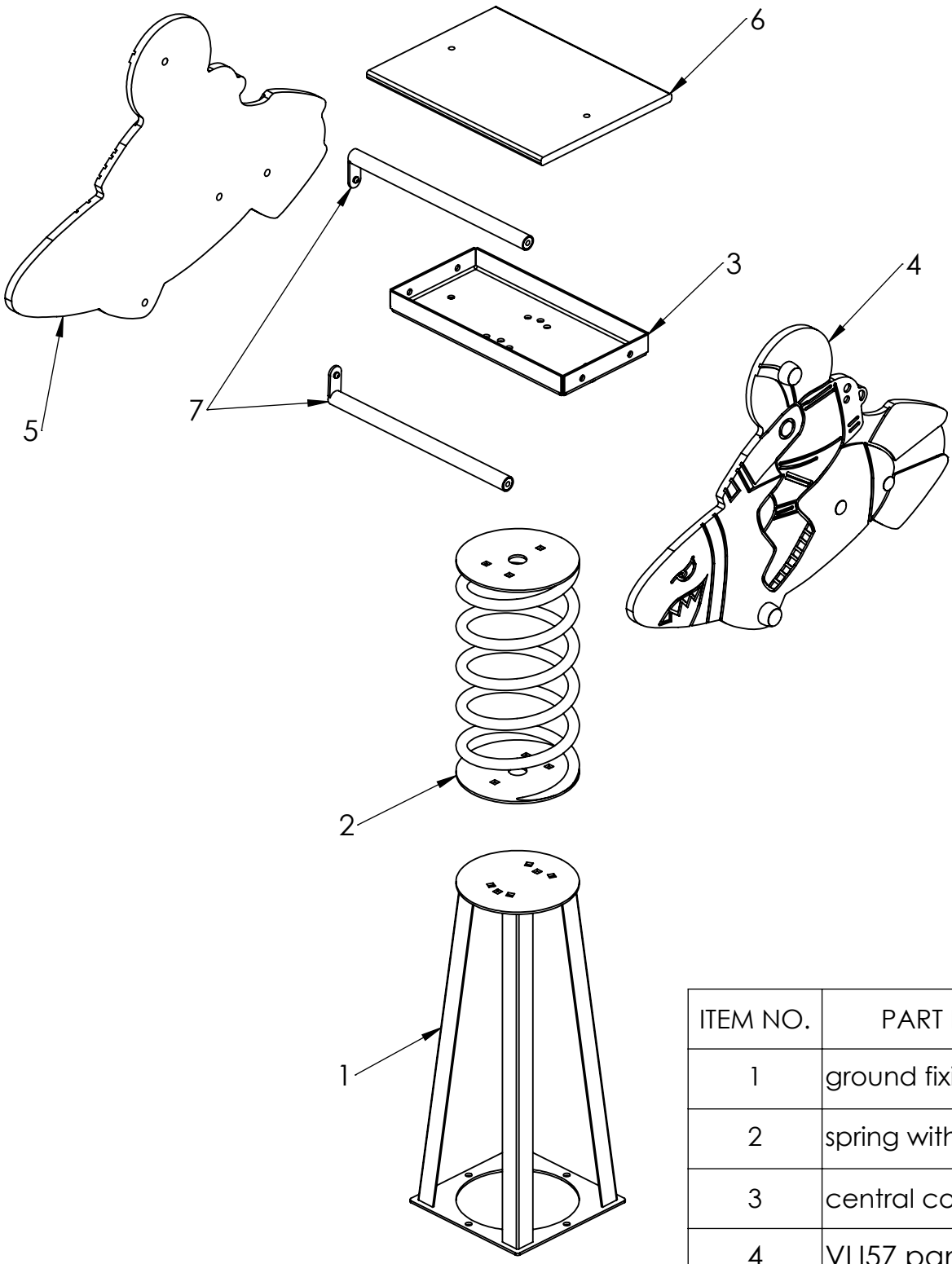
B

C

D

E

F



ITEM NO.	PART NUMBER
1	ground fixing
2	spring with spring disk
3	central console
4	VLI57 panel left
5	VLI57 panel right
6	seating panel
7	tube d.25x400

UNLESS OTHERWISE SPECIFIED: DIMENSIONS ARE IN MILLIMETERS WEIGHT ARE IN KILOGRAMM				
	NAME	SIGNATURE	DATE	REVISION
DRAWN	E:Reispere		01.08.2022	
APPV'D				

PART NUMBER / DWG NO.:		VLI57	
DESCRIPTION:			
Spring swing ASTRONAUT			



MATERIAL:	metal, plastic	A4
WEIGHT:	SCALE: 1:15	SHEET 5 OF 9

A

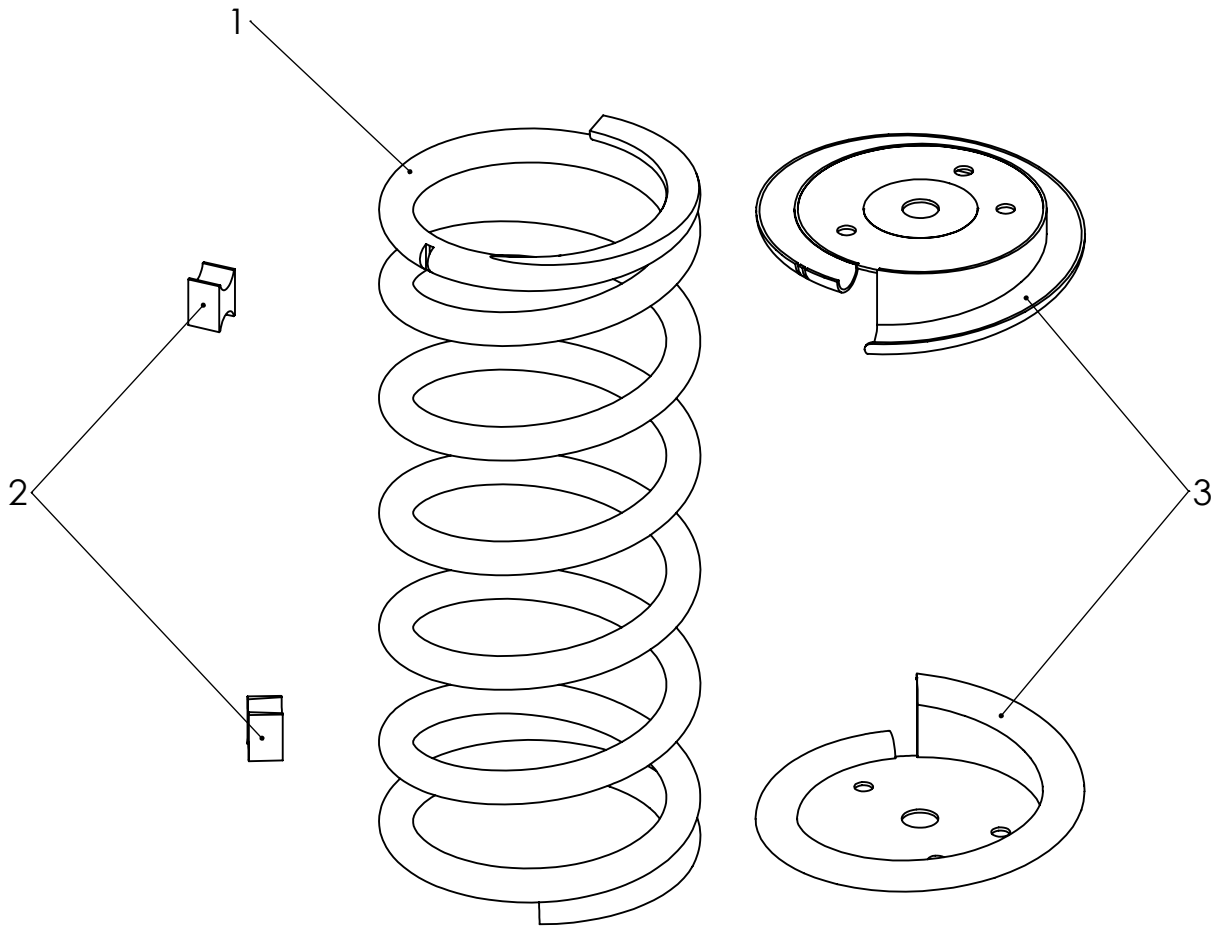
B

C

D

E

F



ITEM NO.	PART NUMBER	DESCRIPTION	QTY.
1	spring	painted steel	1
2	distance block	HP plastic	2
3	spring plate	painted steel	2

UNLESS OTHERWISE SPECIFIED:
 DIMENSIONS ARE IN MILLIMETERS
 WEIGHT ARE IN KILOGRAMM

PART NUMBER / DWG NO.:

VLI57

	NAME	SIGNATURE	DATE	REVISION
DRAWN	E:Reispere		01.08.2022	
APPV'D				

DESCRIPTION:

Spring swing ASTRONAUT

MATERIAL:

metal, plastic

A4

WEIGHT:

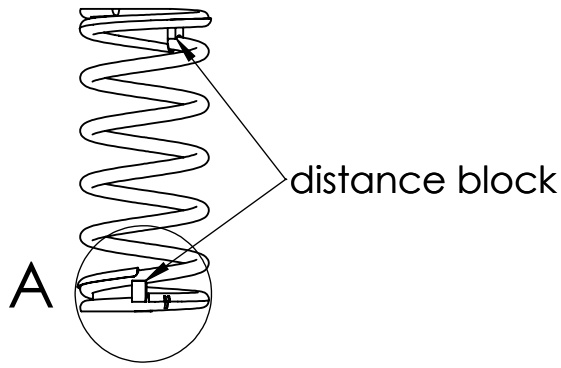
SCALE: 1:4

SHEET 6 OF 9

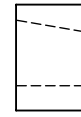
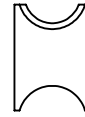
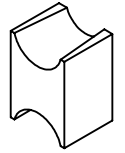


Tiptiptap ⁰⁰

A



view 1



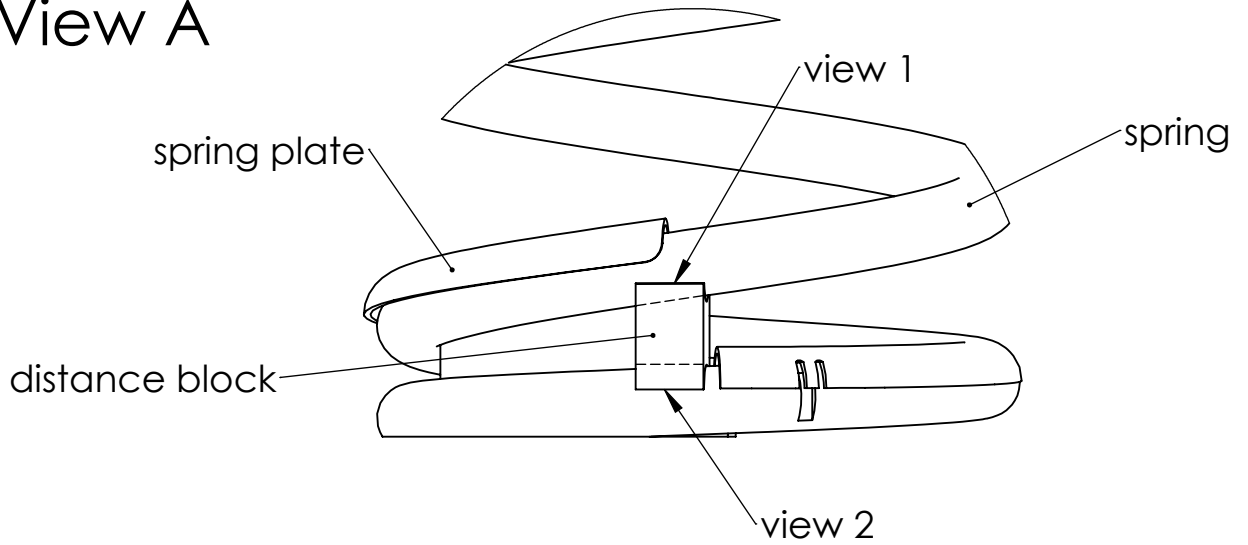
view 2



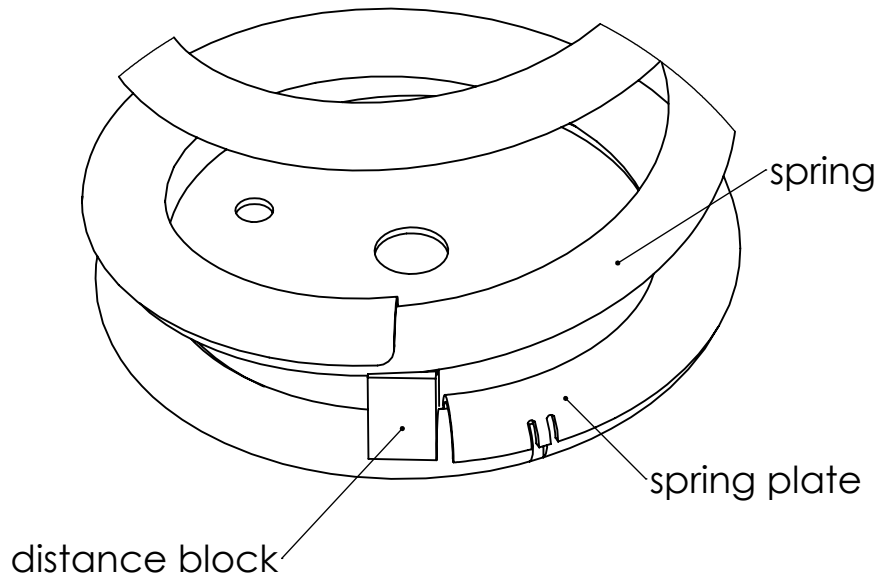
B

View A

C



D



E

F

UNLESS OTHERWISE SPECIFIED:
DIMENSIONS ARE IN MILLIMETERS
WEIGHT ARE IN KILOGRAMM

PART NUMBER / DWG NO.:

VLI57

	NAME	SIGNATURE	DATE	REVISION
DRAWN	E:Reispere		01.08.2022	
APPV'D				

DESCRIPTION:

Spring swing ASTRONAUT

MATERIAL:

metal, plastic

A4

WEIGHT:

SCALE: 1:4

SHEET 7 OF 9



Tiptiptap⁰⁰

A

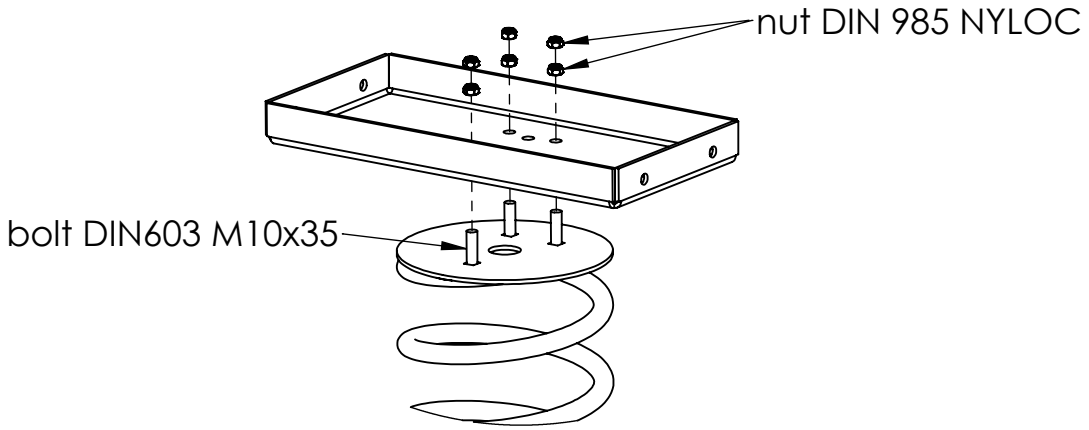
B

C

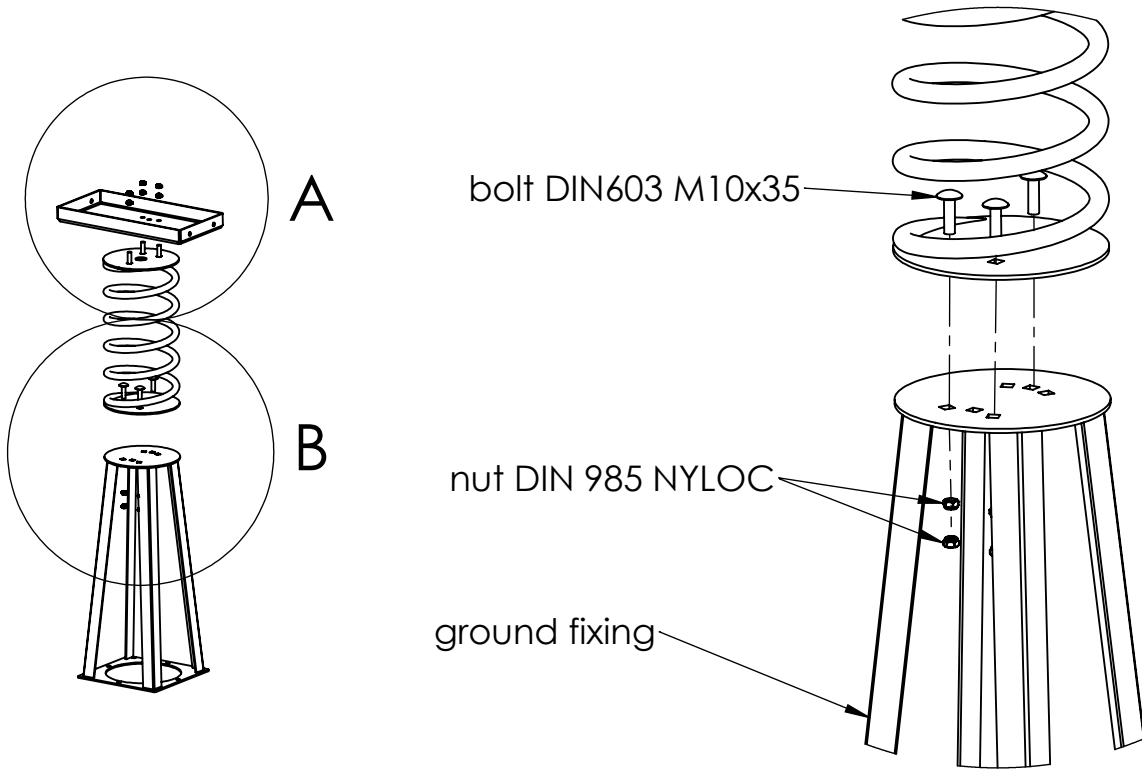
D

E

F



DETAIL A



DETAIL B

UNLESS OTHERWISE SPECIFIED:
 DIMENSIONS ARE IN MILLIMETERS
 WEIGHT ARE IN KILOGRAMM

PART NUMBER / DWG NO.:

VLI57

	NAME	SIGNATURE	DATE	REVISION
DRAWN	E:Reispere		01.08.2022	
APPV'D				

DESCRIPTION:

Spring swing ASTRONAUT

MATERIAL:

metal, plastic

A4

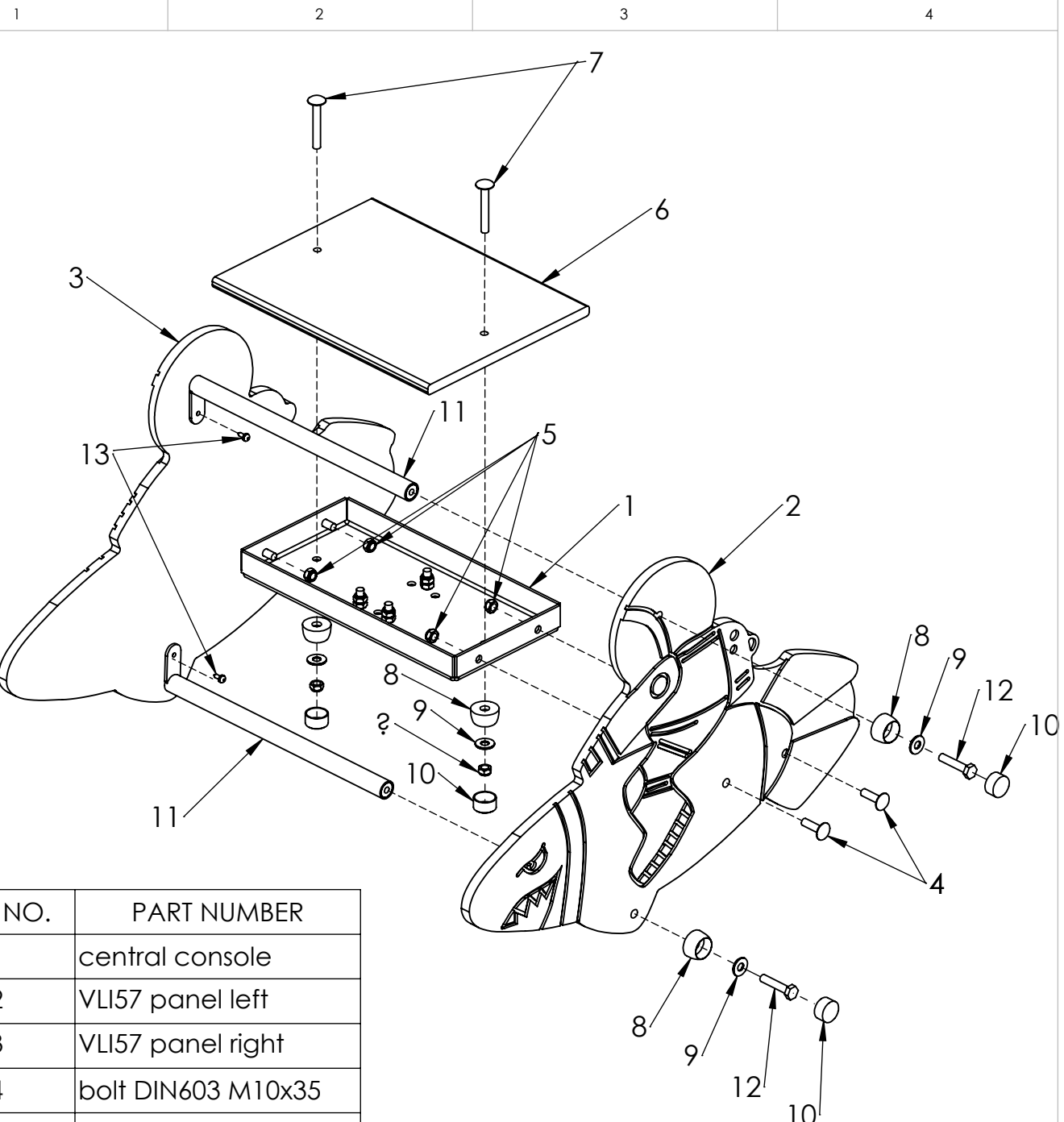
WEIGHT:

SCALE: 1:20

SHEET 8 OF 9



Tiptap ^{OO}



ITEM NO.	PART NUMBER
1	central console
2	VLI57 panel left
3	VLI57 panel right
4	bolt DIN603 M10x35
5	nut DIN 985 NYLOC
6	seating panel
7	bolt DIN603 M10x70
8	nut cover M12
9	Washer M10 DIN9054
10	nut cover cap M12
11	tube d.25x400
12	bolt DIN933 M10x50
13	ÜP 4,8x13 DIN9112

UNLESS OTHERWISE SPECIFIED: DIMENSIONS ARE IN MILLIMETERS WEIGHT ARE IN KILOGRAMM				
	NAME	SIGNATURE	DATE	REVISION
DRAWN	E:Reispere		01.08.2022	
APPV'D				

PART NUMBER / DWG NO.:		VLI57	
DESCRIPTION:			
Spring swing ASTRONAUT			
MATERIAL:		metal, plastic	A4
WEIGHT:		SCALE: 1:15	SHEET 9 OF 9



Tiptap OÜ