

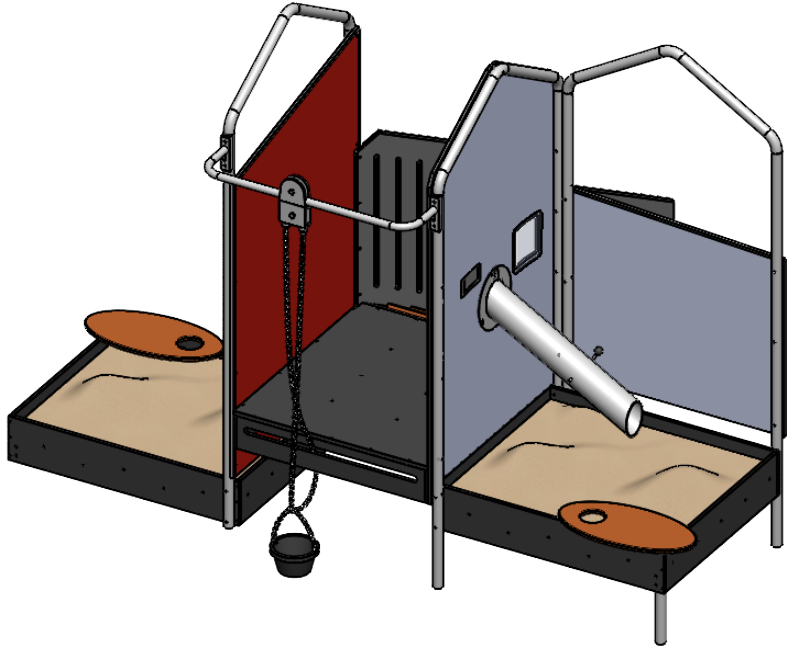
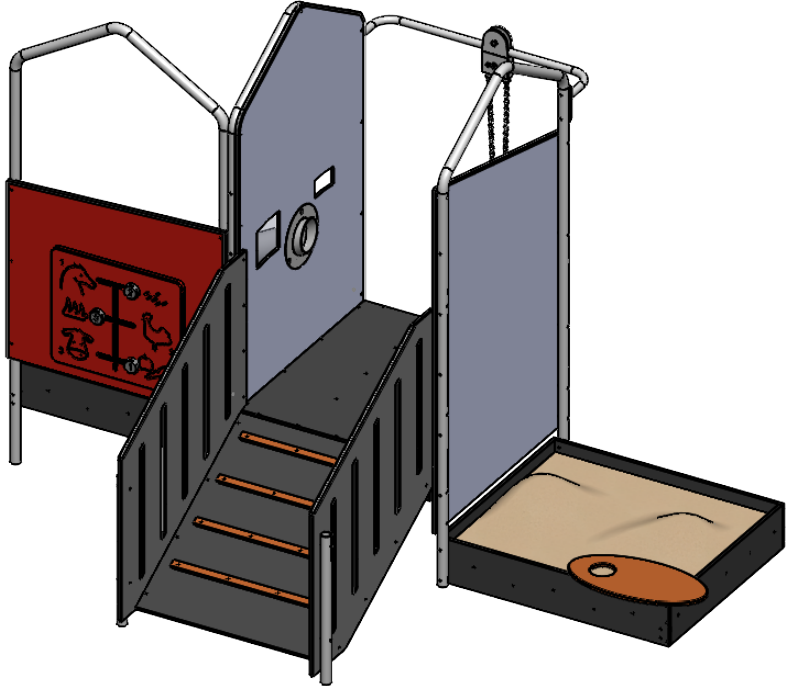
A

B

C

D

E



UNLESS OTHERWISE SPECIFIED:
 DIMENSIONS ARE IN MILLIMETERS
 WEIGHT ARE IN KILOGRAMM

	NAME	SIGNATURE	DATE	REVISION
DRAWN	E.Reispere		18.10.2023	
APPV'D				

PART NUMBER / DWG NO.: **FARM 1**

DESCRIPTION:
Farming complex small

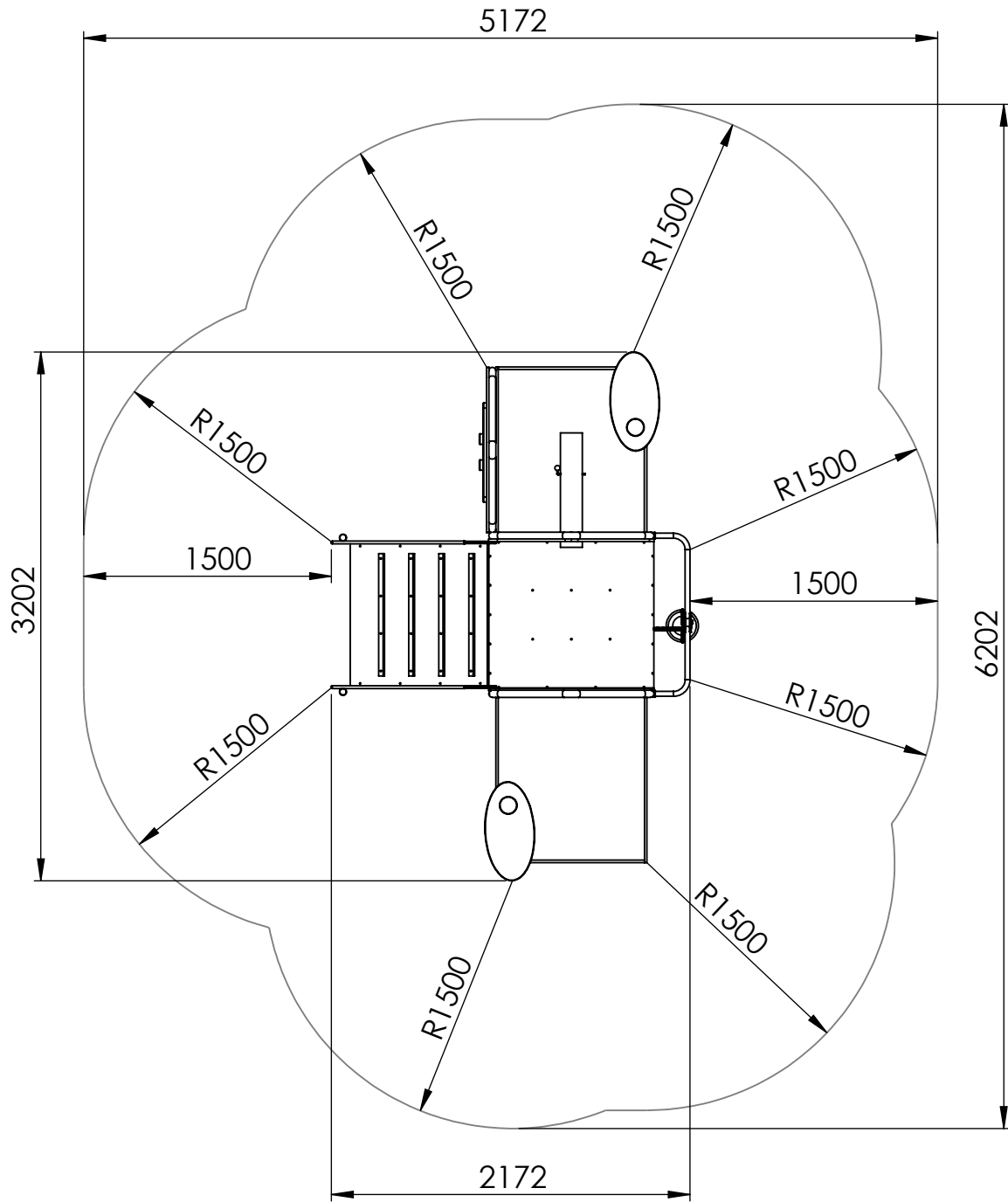


MATERIAL: **wood, metal, plastic** A4

WEIGHT: SCALE: 1:50 SHEET 1 OF 6

F

safety area



safety area: 25,19 m²

UNLESS OTHERWISE SPECIFIED:
DIMENSIONS ARE IN MILLIMETERS
WEIGHT ARE IN KILOGRAMM

PART NUMBER / DWG NO.:

FARM 1

	NAME	SIGNATURE	DATE	REVISION
DRAWN	E.Reispere		18.10.2023	
APPV'D				

DESCRIPTION:

Farming complex small

MATERIAL:

wood, metal, plastic

A4

WEIGHT:

SCALE: 1:50

SHEET 2 OF 6



Tiptap OÜ

foundation

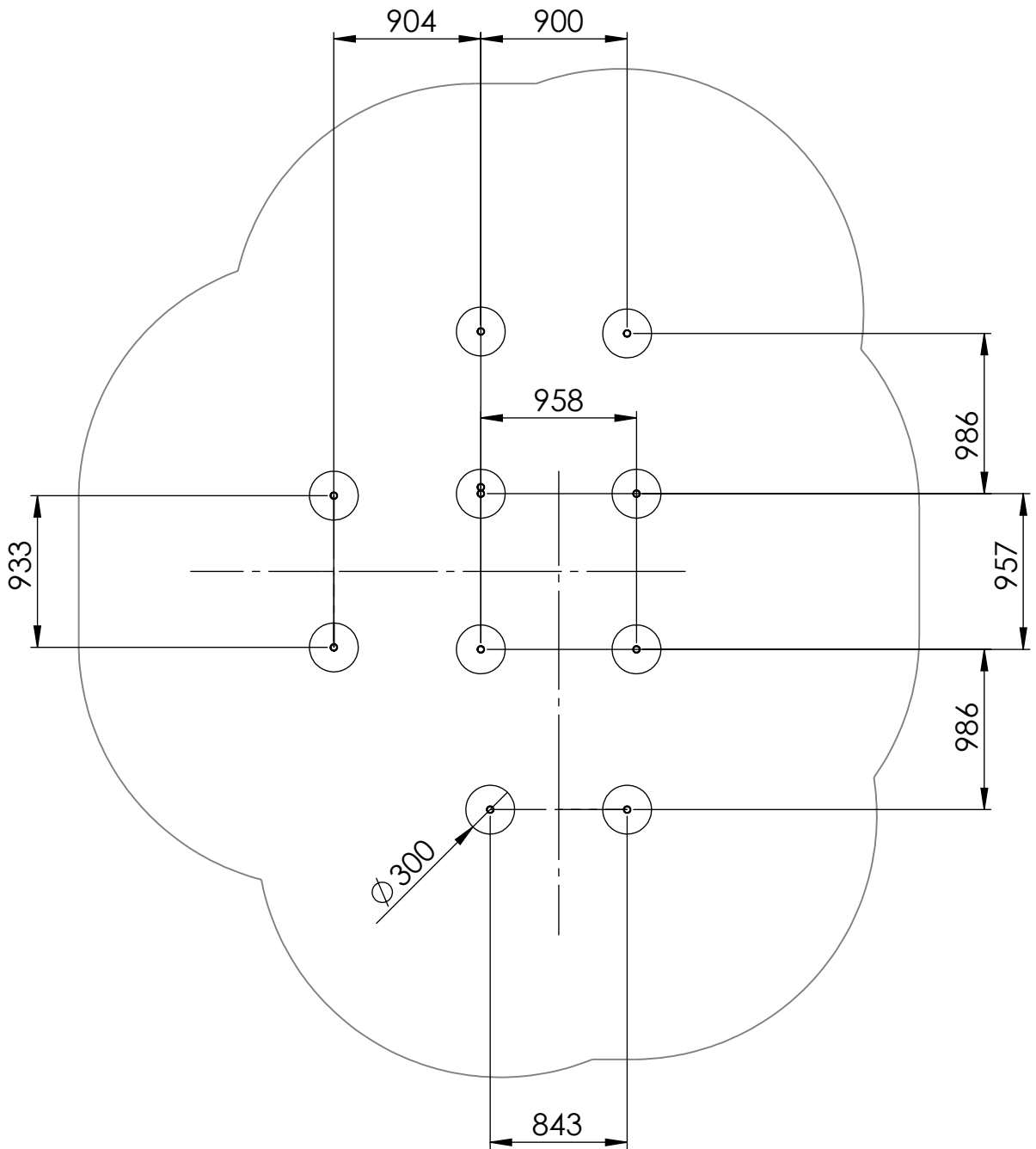
A

B

C

D

E



UNLESS OTHERWISE SPECIFIED:
 DIMENSIONS ARE IN MILLIMETERS
 WEIGHT ARE IN KILOGRAMM

PART NUMBER / DWG NO.: **FARM 1**

	NAME	SIGNATURE	DATE	REVISION
DRAWN	E.Reispere		18.10.2023	
APPV'D				

DESCRIPTION:
Farming complex small



MATERIAL:	wood, metal, plastic	A4
WEIGHT:		
	SCALE: 1:50	SHEET 3 OF 6

dimensions

A

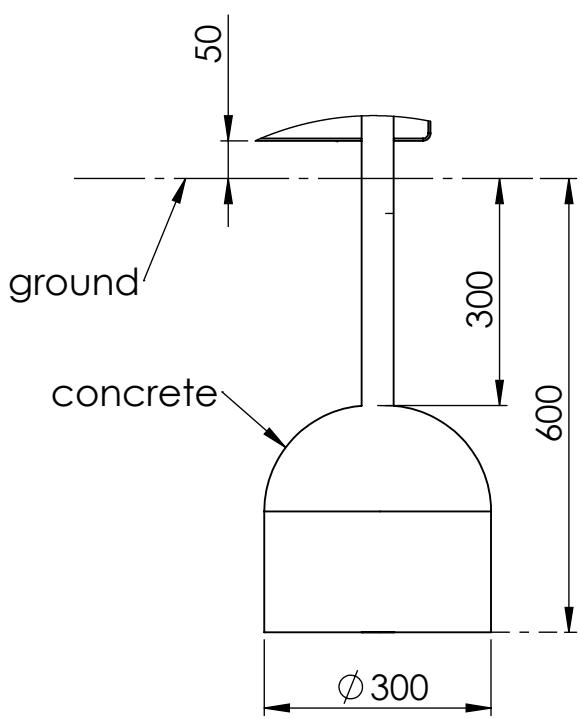
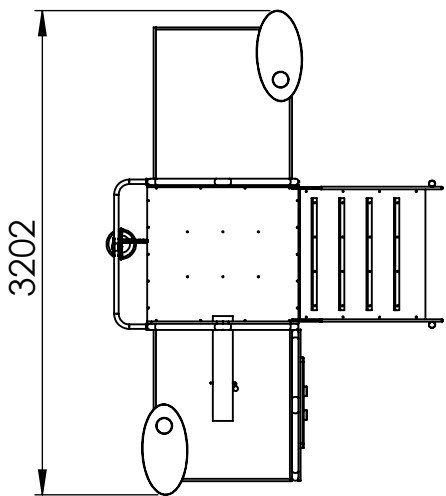
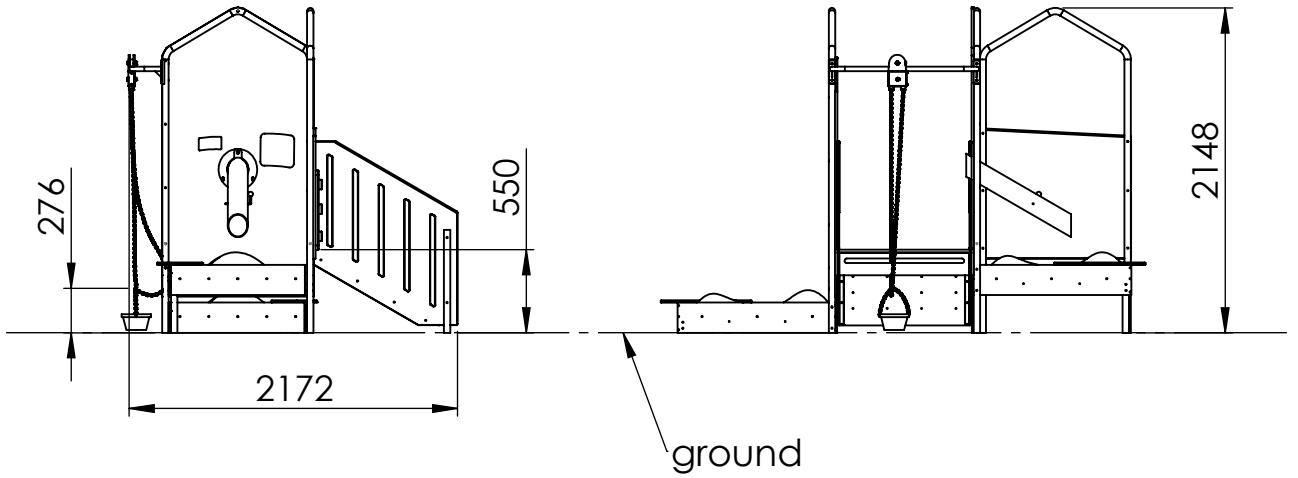
B

C

D

E

F



UNLESS OTHERWISE SPECIFIED: DIMENSIONS ARE IN MILLIMETERS WEIGHT ARE IN KILOGRAMM				
	NAME	SIGNATURE	DATE	REVISION
DRAWN	E.Reispere		18.10.2023	
APPV'D				

PART NUMBER / DWG NO.:	FARM 1
DESCRIPTION:	Farming complex small



MATERIAL:	wood, metal, plastic	A4
WEIGHT:	SCALE: 1:50	SHEET 4 OF 6

A

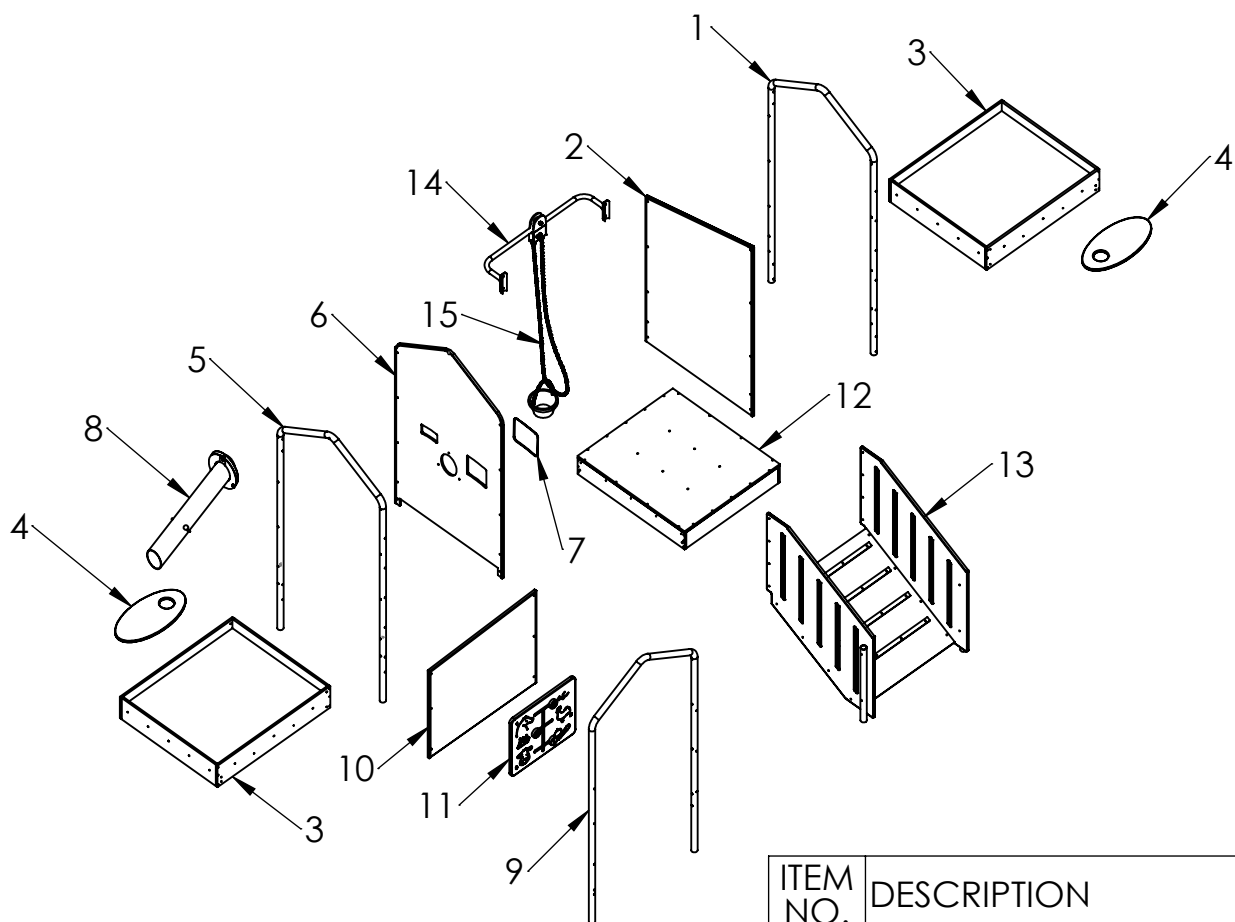
B

C

D

E

F



ITEM NO.	DESCRIPTION
1	Farm frame horse
2	Farm panel horse
3	Farm sandbox
4	Farm sandbox corner panel
5	Farm frame grain dryer
6	Farm panel grain dryer
7	Farm glass 001
8	sandrohr
9	Farm frame chicken
10	Farm panel chicken
11	Farm game panel 002
12	Farm platform
13	Farm ramp
14	sand lift rail
15	moveable sand lift

UNLESS OTHERWISE SPECIFIED:
DIMENSIONS ARE IN MILLIMETERS
WEIGHT ARE IN KILOGRAMM

PART NUMBER / DWG NO.:

FARM 1

	NAME	SIGNATURE	DATE	REVISION
DRAWN	E.Reispere		18.10.2023	
APPV'D				

DESCRIPTION:

Farming complex small

MATERIAL:

wood, metal, plastic

A4

WEIGHT:

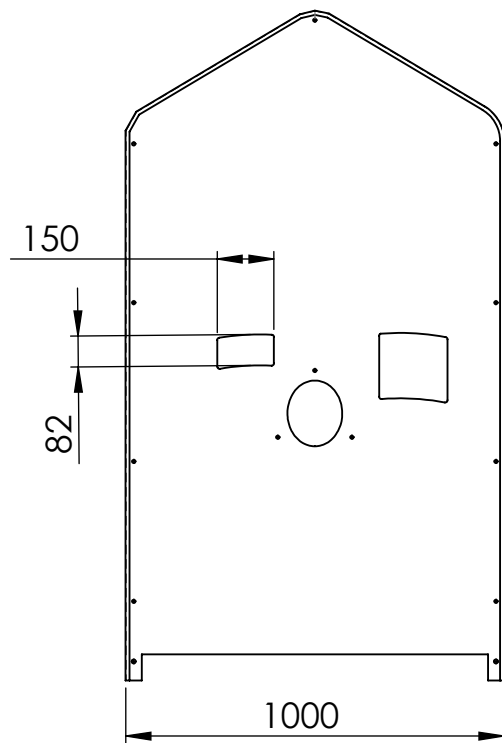
SCALE: 1:50

SHEET 5 OF 6

Tiptiptap⁰⁰

Farm panel grain dryer

A

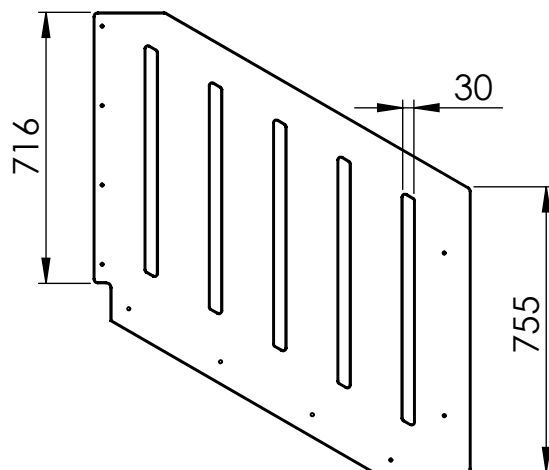


B

C

Farm panel ramp

D



E

UNLESS OTHERWISE SPECIFIED:
DIMENSIONS ARE IN MILLIMETERS
WEIGHT ARE IN KILOGRAMM

PART NUMBER / DWG NO.:

FARM 1

	NAME	SIGNATURE	DATE	REVISION
DRAWN	E.Reispere		18.10.2023	
APPV'D				

DESCRIPTION:

Farming complex small

F



Tiptiptap OÜ

Tiptiptap OÜ
Veetorni 9,
Jüri alevik, Rae vald,
75301 Harjumaa

MATERIAL:

wood, metal, plastic

A4

WEIGHT:

SCALE: 1:50

SHEET 6 OF 6