

A

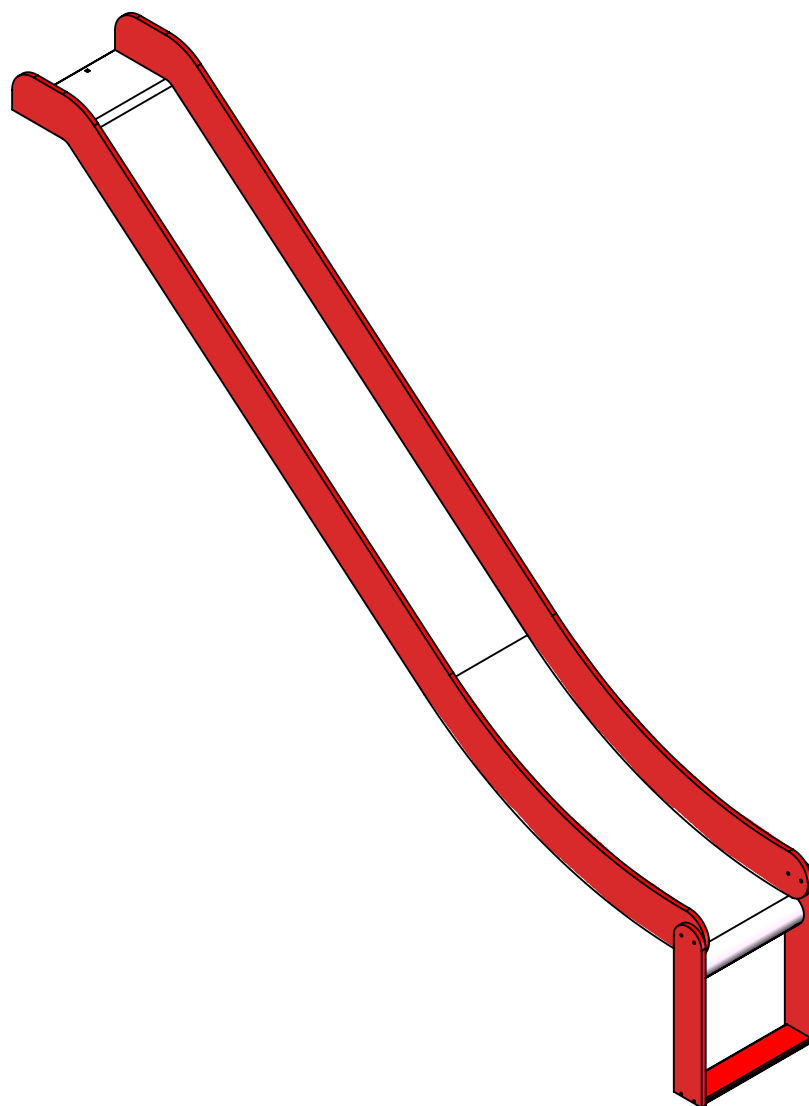
B

C

D

E

F



UNLESS OTHERWISE SPECIFIED:
DIMENSIONS ARE IN MILLIMETERS
WEIGHT ARE IN KILOGRAMM

PART NUMBER / DWG NO.:

LIU2.15RV

	NAME	SIGNATURE	DATE	REVISION
DRAWN	R.Fedotov		05.10.2017	
APPV'D				

DESCRIPTION:

Slide h.2150 with stainless base



Tiptaptap OÜ

Tiptaptap OÜ
Veetorni 9,
Jüri alevik, Rae vald,
75301 Harjumaa

MATERIAL:

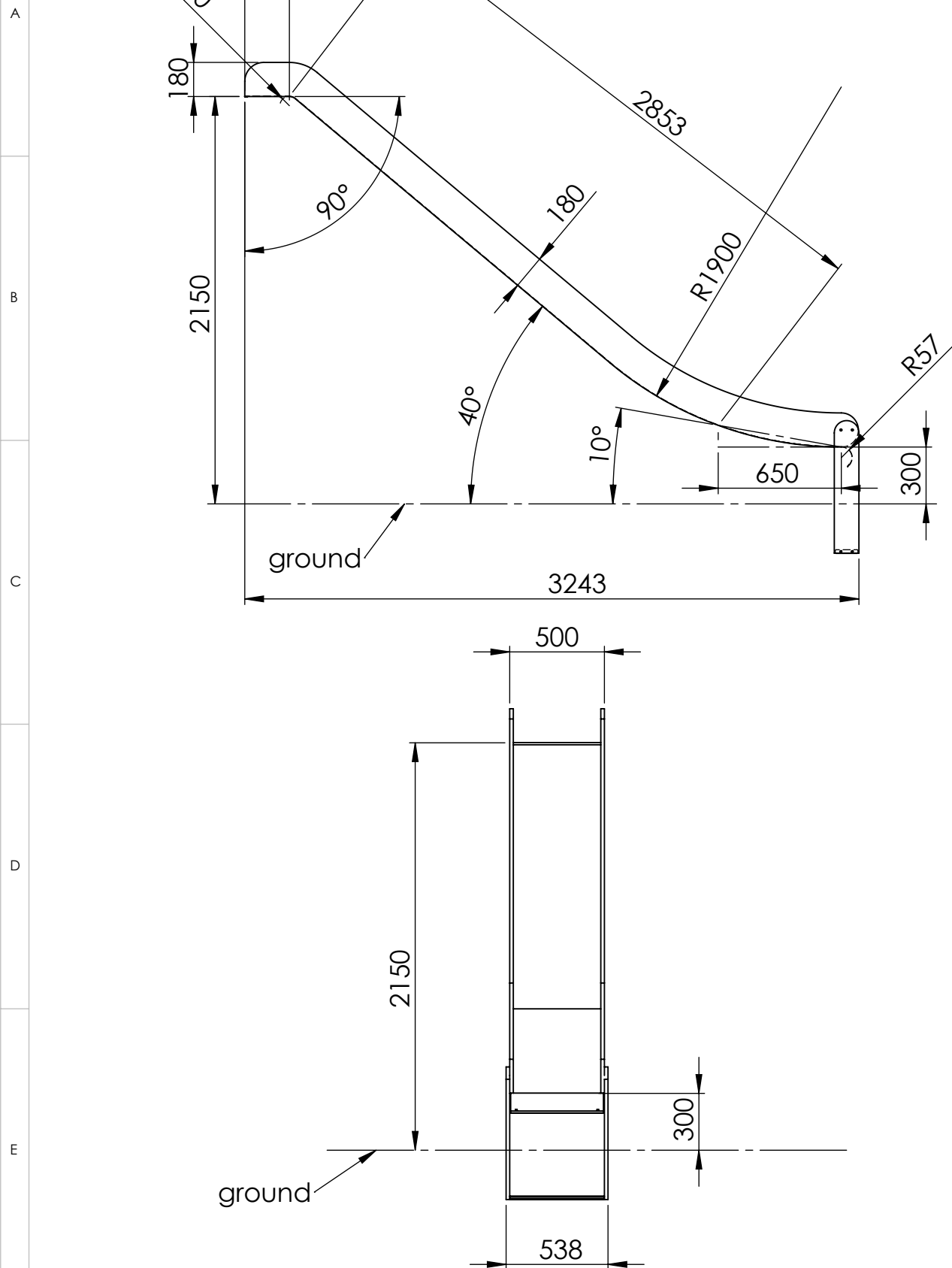
wood, metal, plastic

A4

WEIGHT:

SCALE: 1:25

SHEET 1 OF 4



UNLESS OTHERWISE SPECIFIED:
DIMENSIONS ARE IN MILLIMETERS
WEIGHT ARE IN KILOGRAMM

PART NUMBER / DWG NO.:

LIU2.15RV

	NAME	SIGNATURE	DATE	REVISION
DRAWN	R.Fedotov		05.10.2017	
APPV'D				

DESCRIPTION:

Slide h.2150 with stainless base



Tiptaptap OÜ

Tiptaptap OÜ
Veetorni 9,
Jüri alevik, Rae vald,
75301 Harjumaa

MATERIAL:

wood, metal, plastic

A4

WEIGHT:

SCALE: 1:30

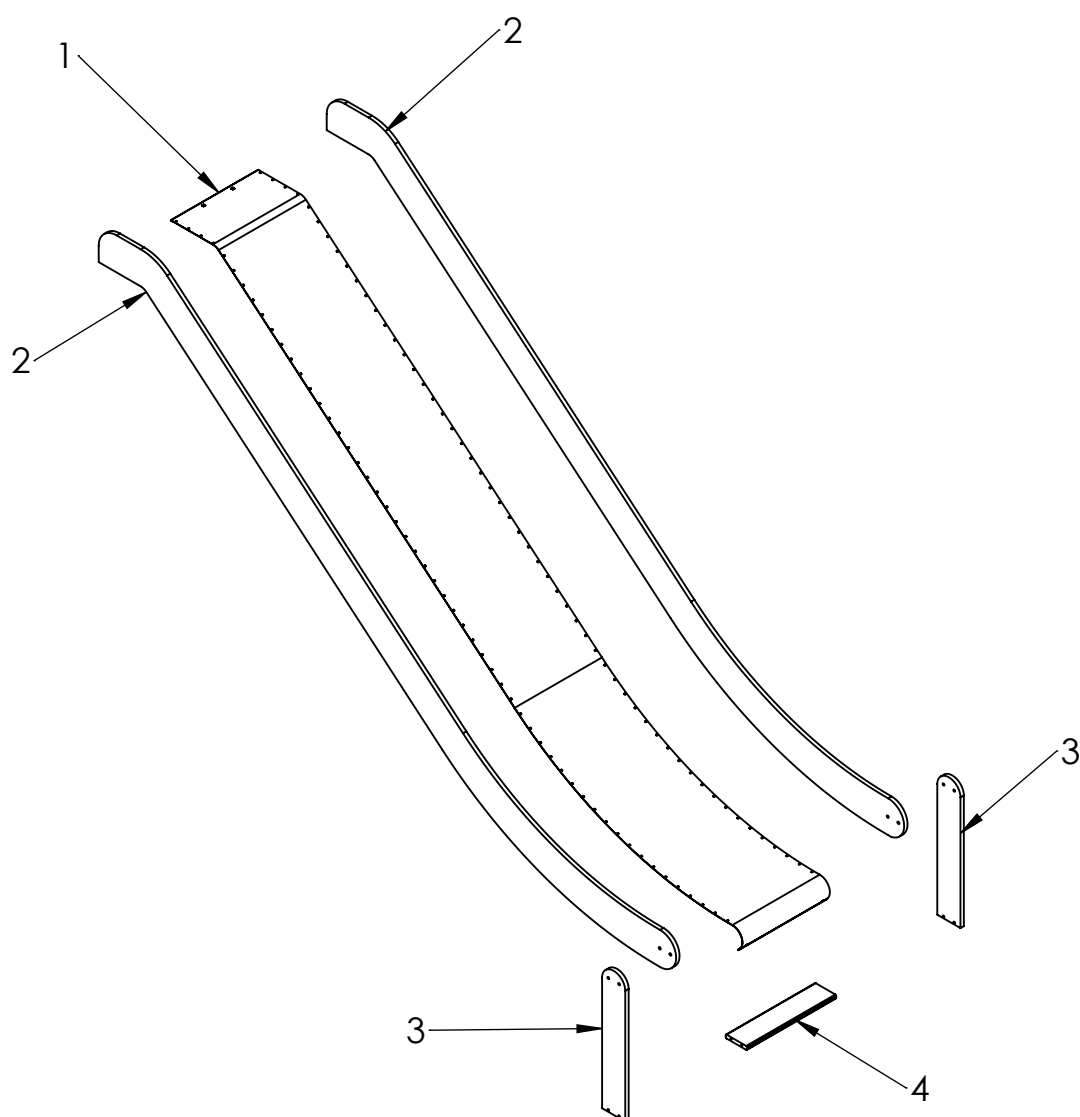
SHEET 2 OF 4

A

B

C

D



E

F

ITEM NO.	PART NUMBER	DESCRIPTION	QTY.
1	slide base	stainless steel	1
2	slide side board	HDPE plastic	2
3	slide bottom board		2
4	slide ground fixing	HDPE plastic	1

UNLESS OTHERWISE SPECIFIED:
DIMENSIONS ARE IN MILLIMETERS
WEIGHT ARE IN KILOGRAMM

PART NUMBER / DWG NO.:

LIU2.15RV

	NAME	SIGNATURE	DATE	REVISION
DRAWN	R.Fedotov		05.10.2017	
APPV'D				

DESCRIPTION:

Slide h.2150 with stainless base

MATERIAL:

wood, metal, plastic

A4

WEIGHT:

SCALE: 1:30

SHEET 3 OF 4



Tiptiptap OÜ

Tiptiptap OÜ
Veetorni 9,
Jüri alevik, Rae vald,
75301 Harjumaa

A

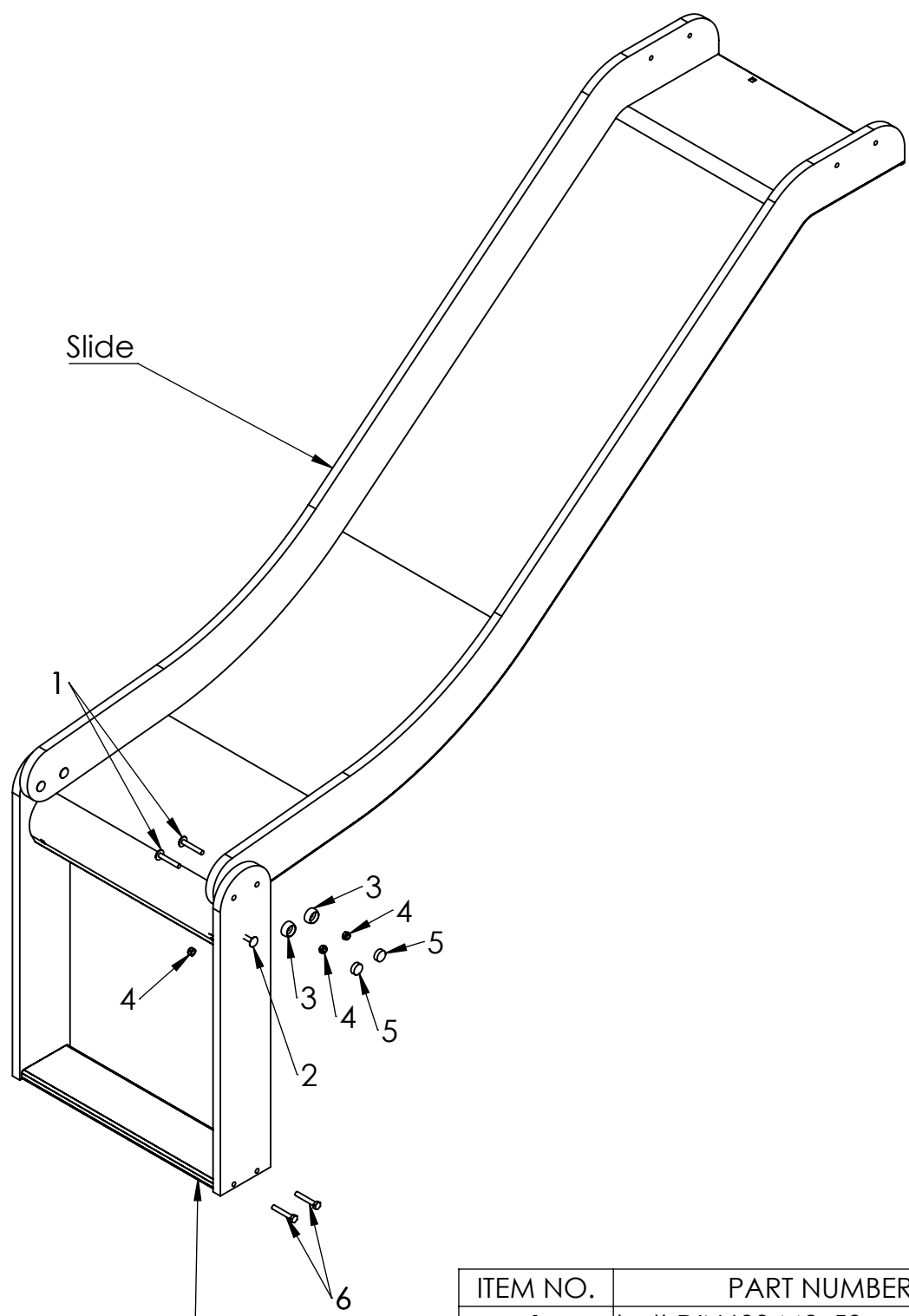
B

C

D

E

F



Ground fixing (PE plastic)

ITEM NO.	PART NUMBER
1	bolt DIN603 M8x50
2	bolt DIN603 M8x30
3	nut cover M8
4	nut DIN985 M8
5	nut cover cap M8
6	bolt DIN933 M8x50

UNLESS OTHERWISE SPECIFIED: DIMENSIONS ARE IN MILLIMETERS WEIGHT ARE IN KILOGRAMM				
	NAME	SIGNATURE	DATE	REVISION
DRAWN	R.Fedotov		05.10.2017	
APPV'D				

PART NUMBER / DWG NO.:	LIU2.15RV
DESCRIPTION:	Slide h.2150 with stainless base



Tiptiptap OÜ
 Veetorni 9,
 Jüri alevik, Rae vald,
 75301 Harjumaa

MATERIAL:	wood, metal, plastic	A4
WEIGHT:	SCALE: 1:12	SHEET 4 OF 4