

A

B

C

D

E

F



UNLESS OTHERWISE SPECIFIED:  
 DIMENSIONS ARE IN MILLIMETERS  
 WEIGHT ARE IN KILOGRAMM

PART NUMBER / DWG NO.:

K113-5

	NAME	SIGNATURE	DATE	REVISION
DRAWN	M.Rebase		27.06.2023	
APPV'D				

DESCRIPTION:

Swing construction BABY SNAIL



Tiptiptap<sup>ÖÜ</sup>

MATERIAL:

wood, metal, plastic

A4

WEIGHT:

SCALE: 1:30

SHEET 1 OF 6

# safety area

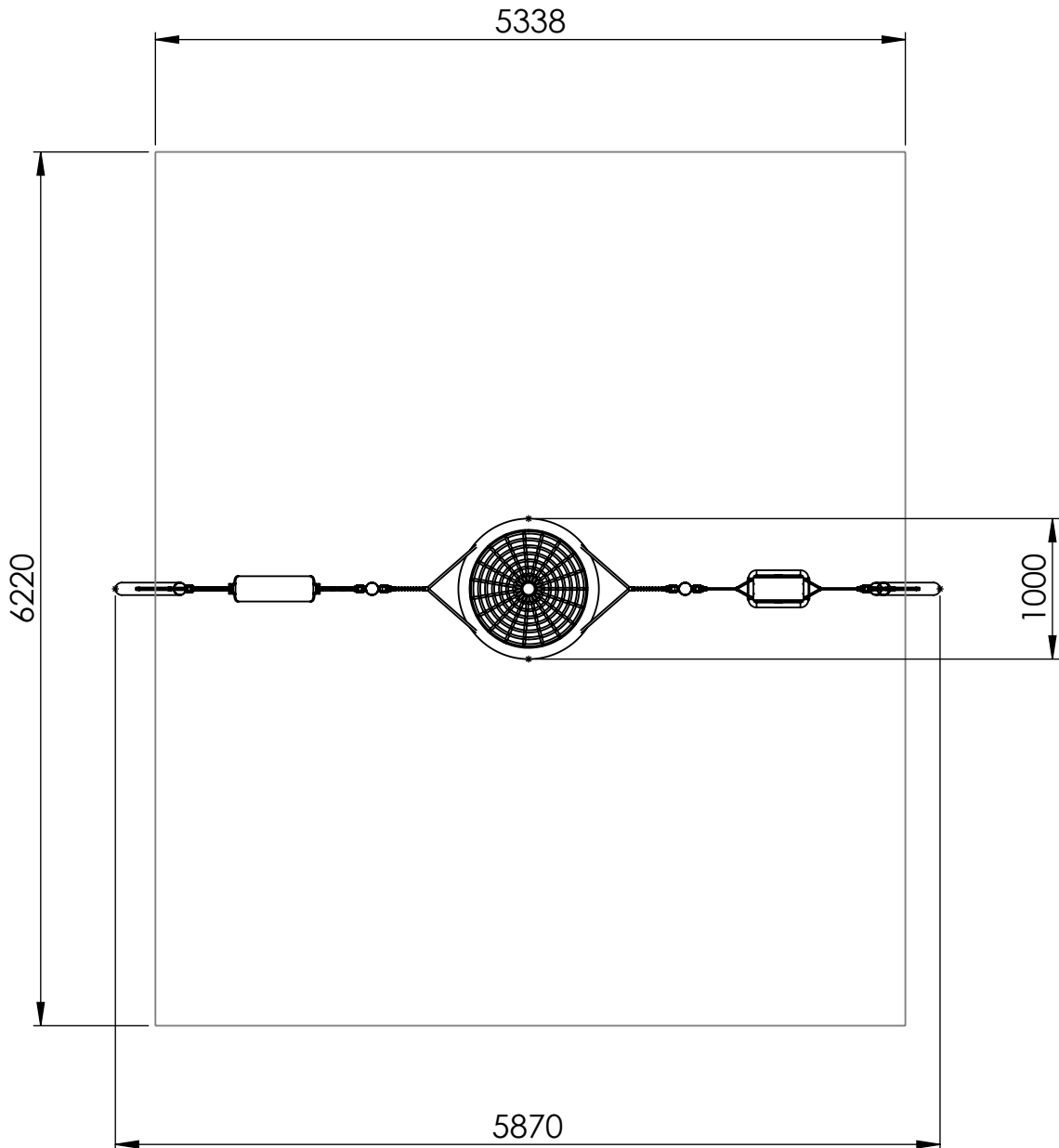
A

B

C

D

E



UNLESS OTHERWISE SPECIFIED: DIMENSIONS ARE IN MILLIMETERS WEIGHT ARE IN KILOGRAMM				
	NAME	SIGNATURE	DATE	REVISION
DRAWN	M.Rebase		27.06.2023	
APPV'D				

PART NUMBER / DWG NO.: **K113-5**

DESCRIPTION:  
**Swing construction BABY SNAIL**



MATERIAL:	wood, metal, plastic	A4
WEIGHT:	SCALE: 1:50	SHEET 2 OF 6

# foundation

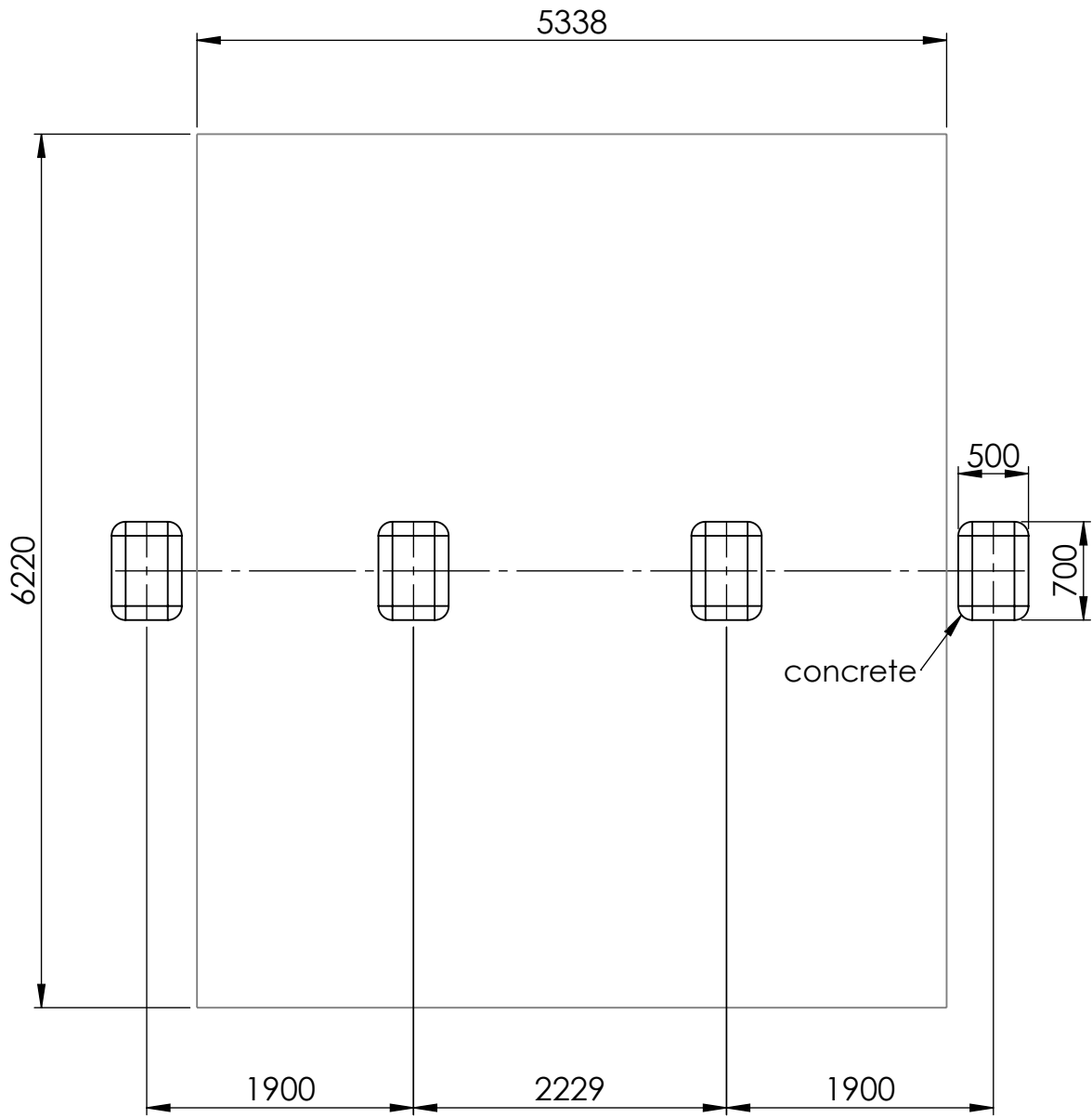
A

B

C

D

E



depth of foundation 700mm

UNLESS OTHERWISE SPECIFIED:  
DIMENSIONS ARE IN MILLIMETERS  
WEIGHT ARE IN KILOGRAMM

PART NUMBER / DWG NO.:

K113-5

	NAME	SIGNATURE	DATE	REVISION
DRAWN	M.Rebase		27.06.2023	
APPV'D				

DESCRIPTION:

Swing construction BABY SNAIL



**Tiptap** <sup>ÖÜ</sup>

MATERIAL:

wood, metal, plastic

A4

WEIGHT:

SCALE: 1:50

SHEET 3 OF 6

F

1

2

3

4

A

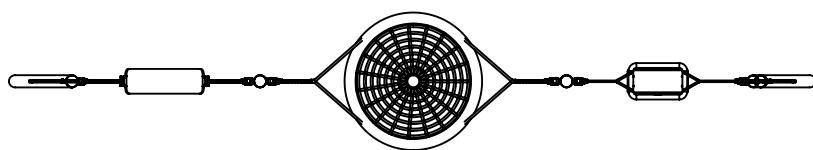
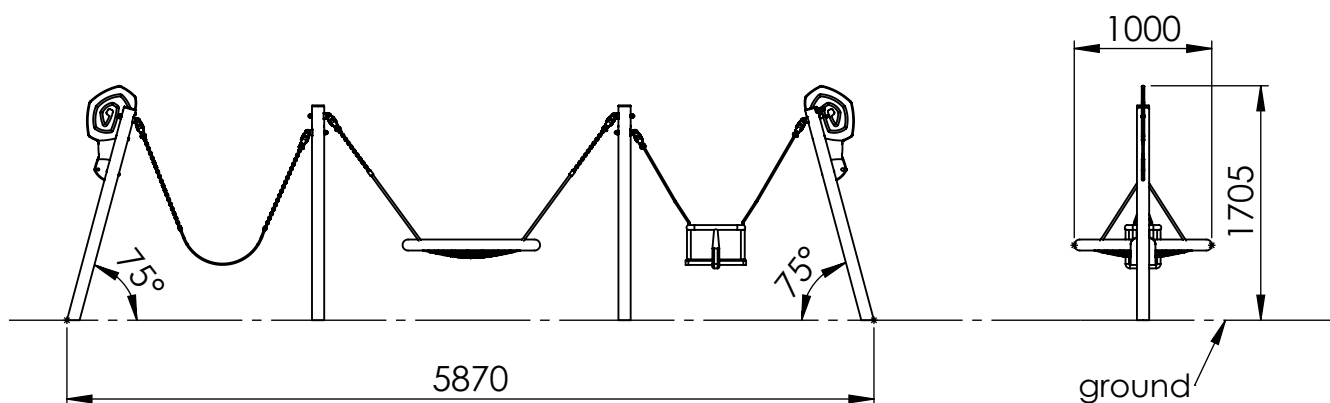
B

C

D

E

F



UNLESS OTHERWISE SPECIFIED:  
DIMENSIONS ARE IN MILLIMETERS  
WEIGHT ARE IN KILOGRAMM

PART NUMBER / DWG NO.:

K113-5

	NAME	SIGNATURE	DATE	REVISION
DRAWN	M.Rebase		27.06.2023	
APPV'D				

DESCRIPTION:

Swing construction BABY SNAIL

MATERIAL:

wood, metal, plastic

A4

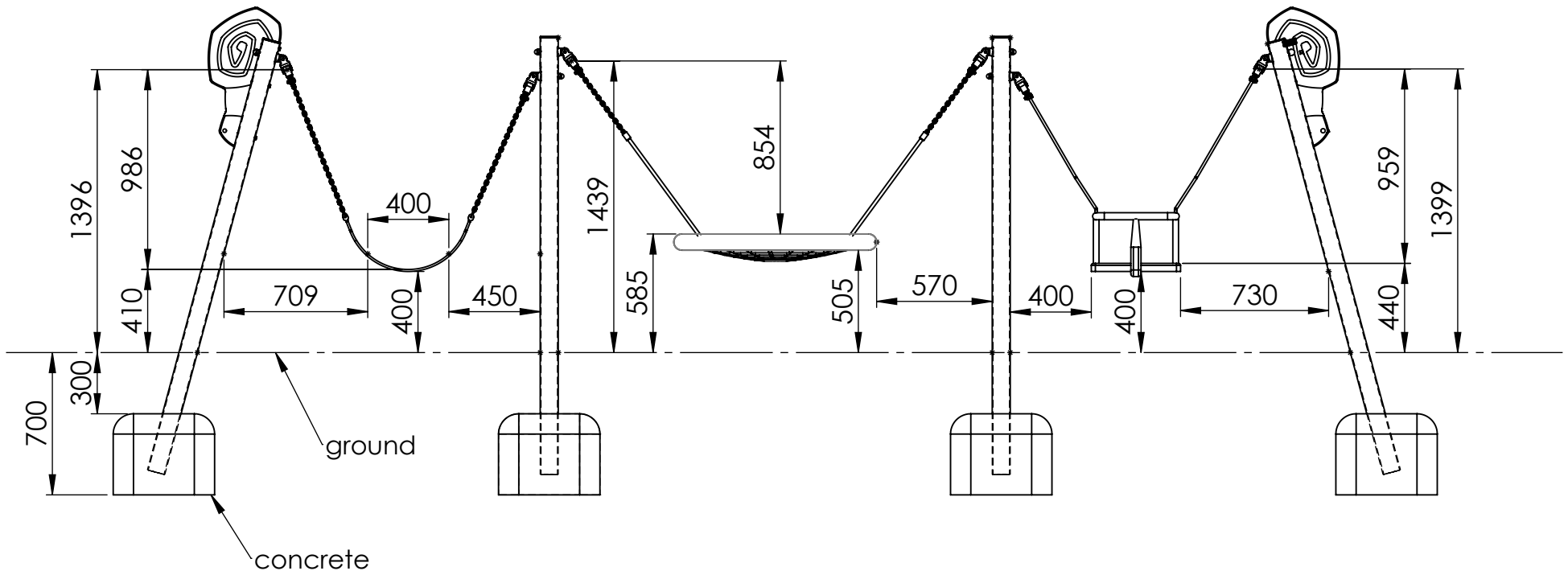
WEIGHT:

SCALE: 1:55

SHEET 4 OF 6



**Tiptiptap** Ü



UNLESS OTHERWISE SPECIFIED:  
 DIMENSIONS ARE IN MILLIMETERS  
 WEIGHT ARE IN KILOGRAMM

	NAME	SIGNATURE	DATE	REVISION
DRAWN	M.Rebase		27.06.2023	
APPV'D				

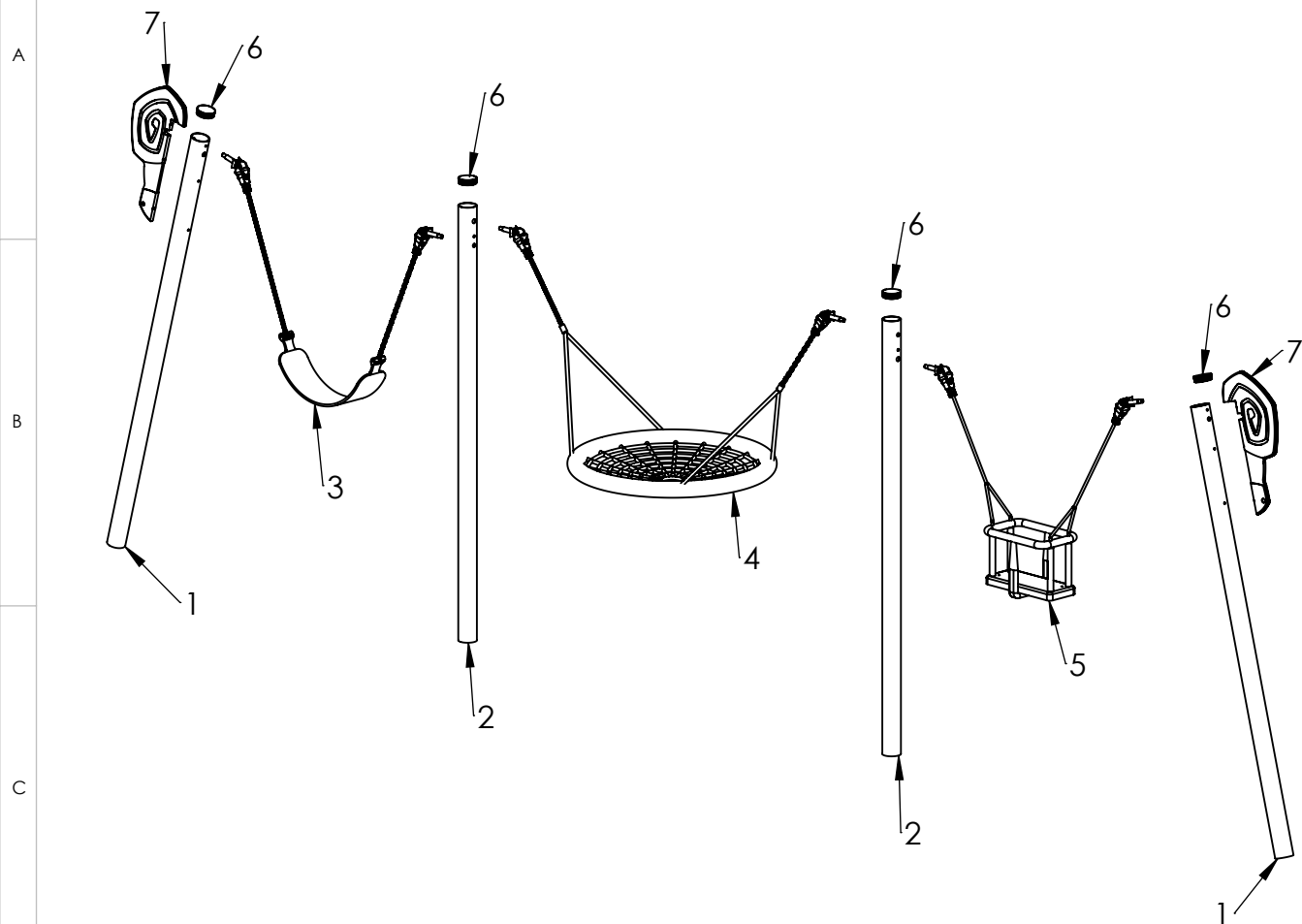


PART NUMBER / DWG NO.:  
**K113-5**

DESCRIPTION:  
**Swing construction BABY SNAIL**

MATERIAL: wood, metal, plastic

WEIGHT: SCALE: 1:30 SHEET 5 OF 6



ITEM NO.	PART NUMBER	QTY.
1	post Ø88,9x2200	2
2	post Ø88,9x2155	2
3	swing seat with fixings	1
4	rope swing set bird nest with fixings	1
5	baby cradle seat set with fixings	1
6	plastic cap	4
7	side panel	2

UNLESS OTHERWISE SPECIFIED:  
DIMENSIONS ARE IN MILLIMETERS  
WEIGHT ARE IN KILOGRAMM

PART NUMBER / DWG NO.:

K113-5

NAME	SIGNATURE	DATE	REVISION
DRAWN M.Rebase		27.06.2023	
APPV'D			

DESCRIPTION:

Swing construction BABY SNAIL

MATERIAL:

wood, metal, plastic

A4

WEIGHT:

SCALE: 1:35

SHEET 6 OF 6



**Tiptap** OÜ