

A

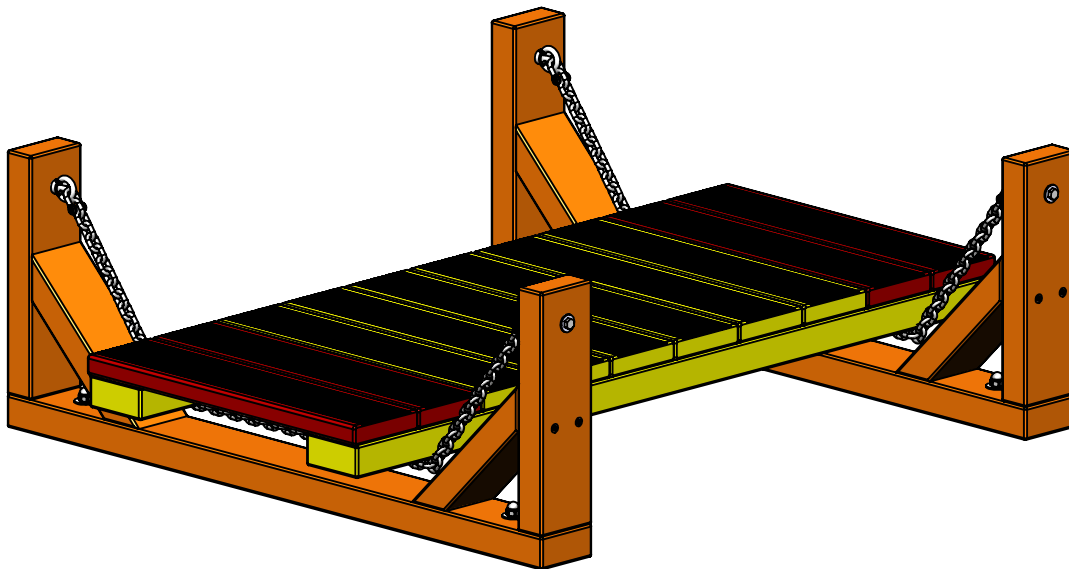
B

C

D

E

F



UNLESS OTHERWISE SPECIFIED:
 DIMENSIONS ARE IN MILLIMETERS
 WEIGHT ARE IN KILOGRAMM

PART NUMBER / DWG NO.:

AT010

	NAME	SIGNATURE	DATE	REVISION
DRAWN	I.Agar		24.05.2022	
APPV'D				

DESCRIPTION:

Agility Suspension bridge



Tiptiptap⁰⁰

MATERIAL:

wood, metal, plastic

A4

WEIGHT:

SCALE: 1:10

SHEET 1 OF 4

Foundation

A

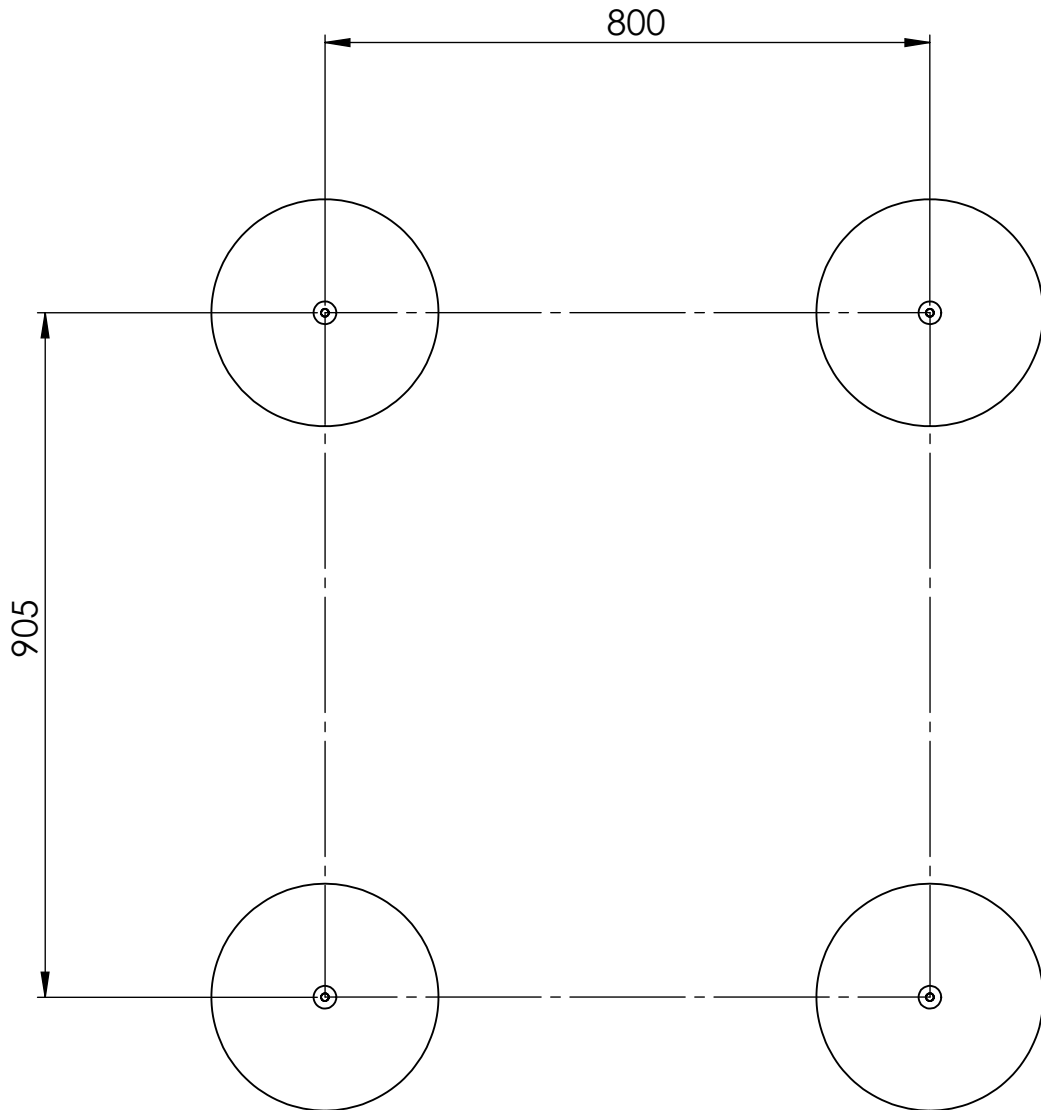
B

C

D

E

F



UNLESS OTHERWISE SPECIFIED:
 DIMENSIONS ARE IN MILLIMETERS
 WEIGHT ARE IN KILOGRAMM

PART NUMBER / DWG NO.: **AT010**

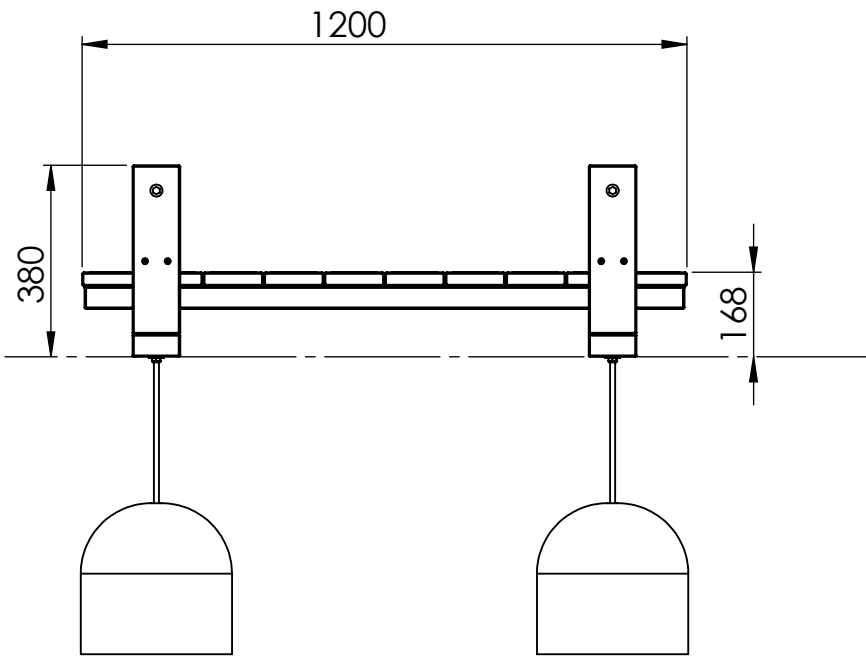
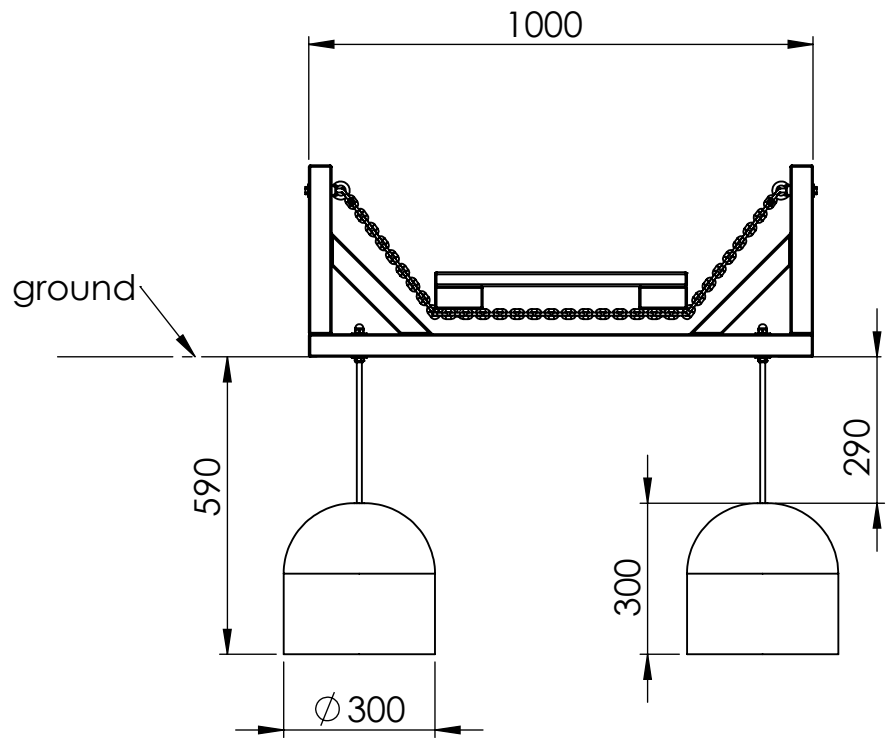
	NAME	SIGNATURE	DATE	REVISION
DRAWN	I.Agar		24.05.2022	
APPV'D				

DESCRIPTION:
Agility Suspension bridge



MATERIAL: **wood, metal, plastic** A4

WEIGHT: SCALE: 1:10 SHEET 2 OF 4



UNLESS OTHERWISE SPECIFIED:
DIMENSIONS ARE IN MILLIMETERS
WEIGHT ARE IN KILOGRAMM

	NAME	SIGNATURE	DATE	REVISION
DRAWN	I.Agar		24.05.2022	
APPV'D				



PART NUMBER / DWG NO.:
AT010

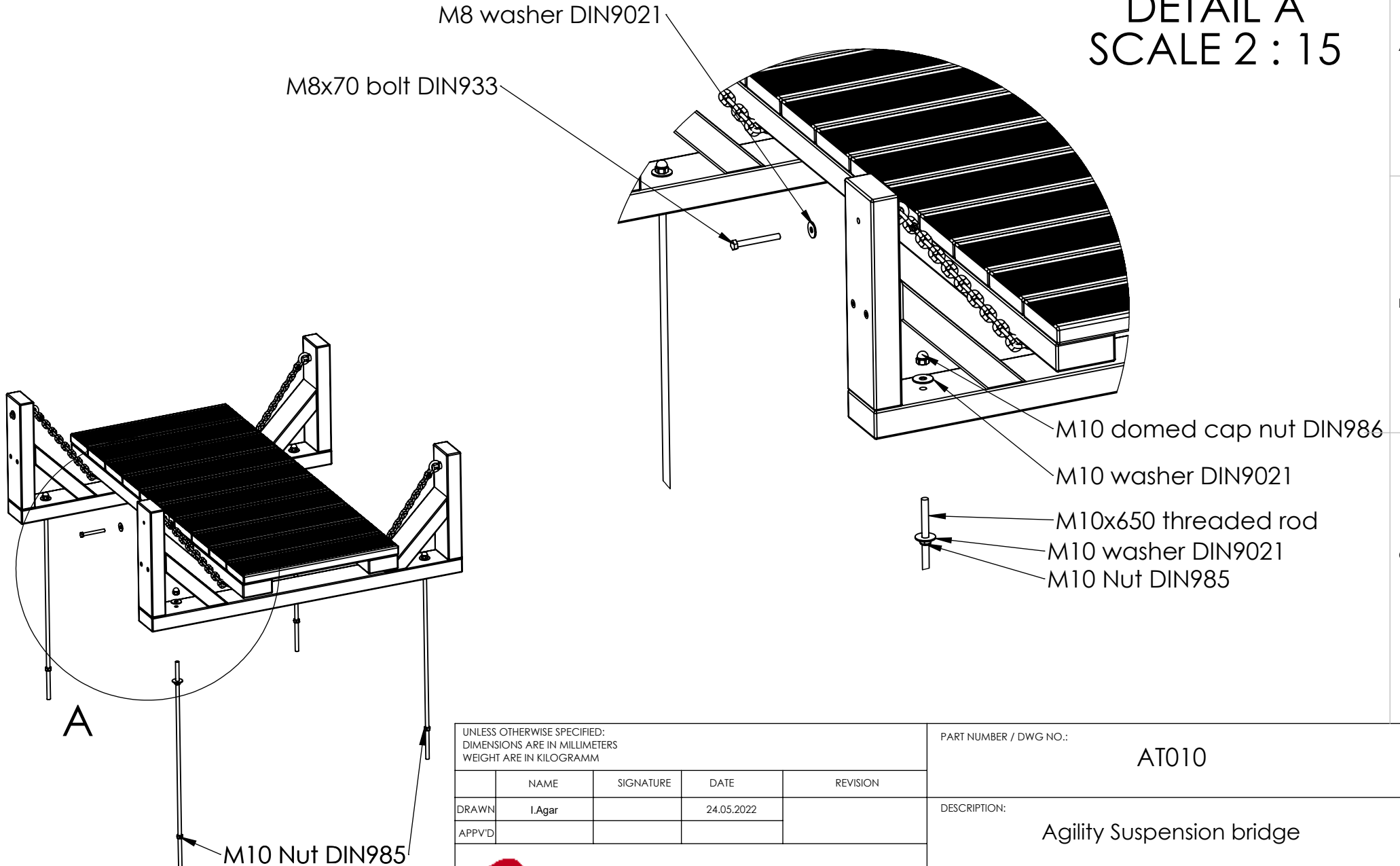
DESCRIPTION:
Agility Suspension bridge

MATERIAL: wood, metal, plastic

A4

WEIGHT: SCALE: 1:15 SHEET 3 OF 4

DETAIL A SCALE 2 : 15



UNLESS OTHERWISE SPECIFIED:
DIMENSIONS ARE IN MILLIMETERS
WEIGHT ARE IN KILOGRAMM

PART NUMBER / DWG NO.:

AT010

	NAME	SIGNATURE	DATE	REVISION
DRAWN	I.Agar		24.05.2022	
APPV'D				

DESCRIPTION:

Agility Suspension bridge

MATERIAL:

wood, metal, plastic

A4

WEIGHT:

SCALE: 1:15

SHEET 4 OF 4



Tiptap ^{ÖÜ}