

UNLESS OTHERWISE SPECIFIED:
DIMENSIONS ARE IN MILLIMETERS
WEIGHT ARE IN KILOGRAMM

PART NUMBER / DWG NO.:

K008 P

	NAME	SIGNATURE	DATE	REVISION
DRAWN	M.Rebase		04.07.2016	
APPV'D				

DESCRIPTION:

Swing construction DUCAT 4 places



Tiptaptap OÜ

Tiptaptap OÜ
Veetorni 9,
Jüri alevik, Rae vald,
75301 Harjumaa

MATERIAL:

wood, metal, plastic

A4

WEIGHT:

SCALE: 1:45

SHEET 1 OF 9

safety area

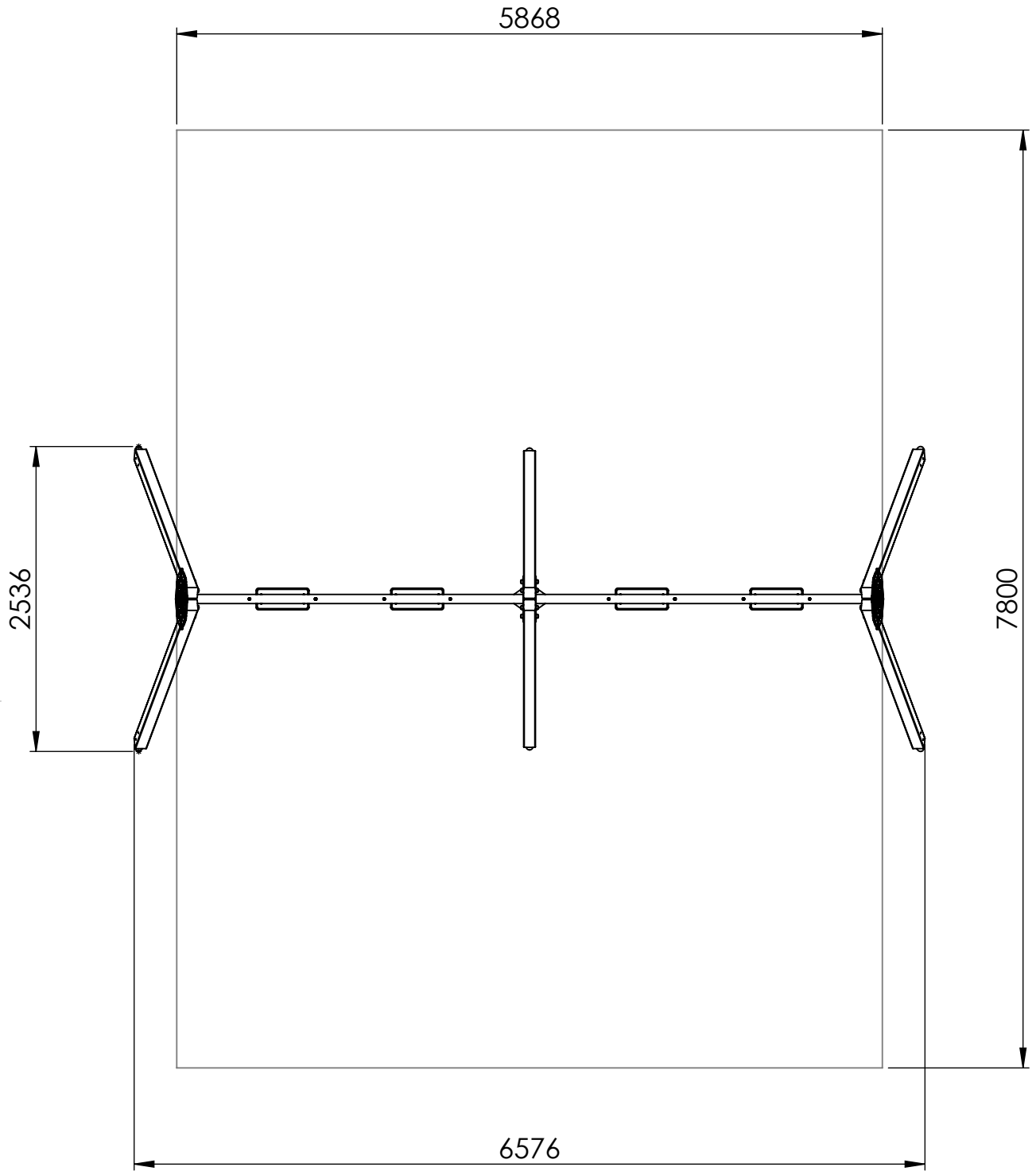
A

B

C

D

E



UNLESS OTHERWISE SPECIFIED:
DIMENSIONS ARE IN MILLIMETERS
WEIGHT ARE IN KILOGRAMM

PART NUMBER / DWG NO.:

K008 P

	NAME	SIGNATURE	DATE	REVISION
DRAWN	M.Rebase		04.07.2016	
APPV'D				

DESCRIPTION:

Swing construction DUCAT 4 places

F



Tiptaptap OÜ

Tiptaptap OÜ
Veetorni 9,
Jüri alevik, Rae vald,
75301 Harjumaa

MATERIAL:

wood, metal, plastic

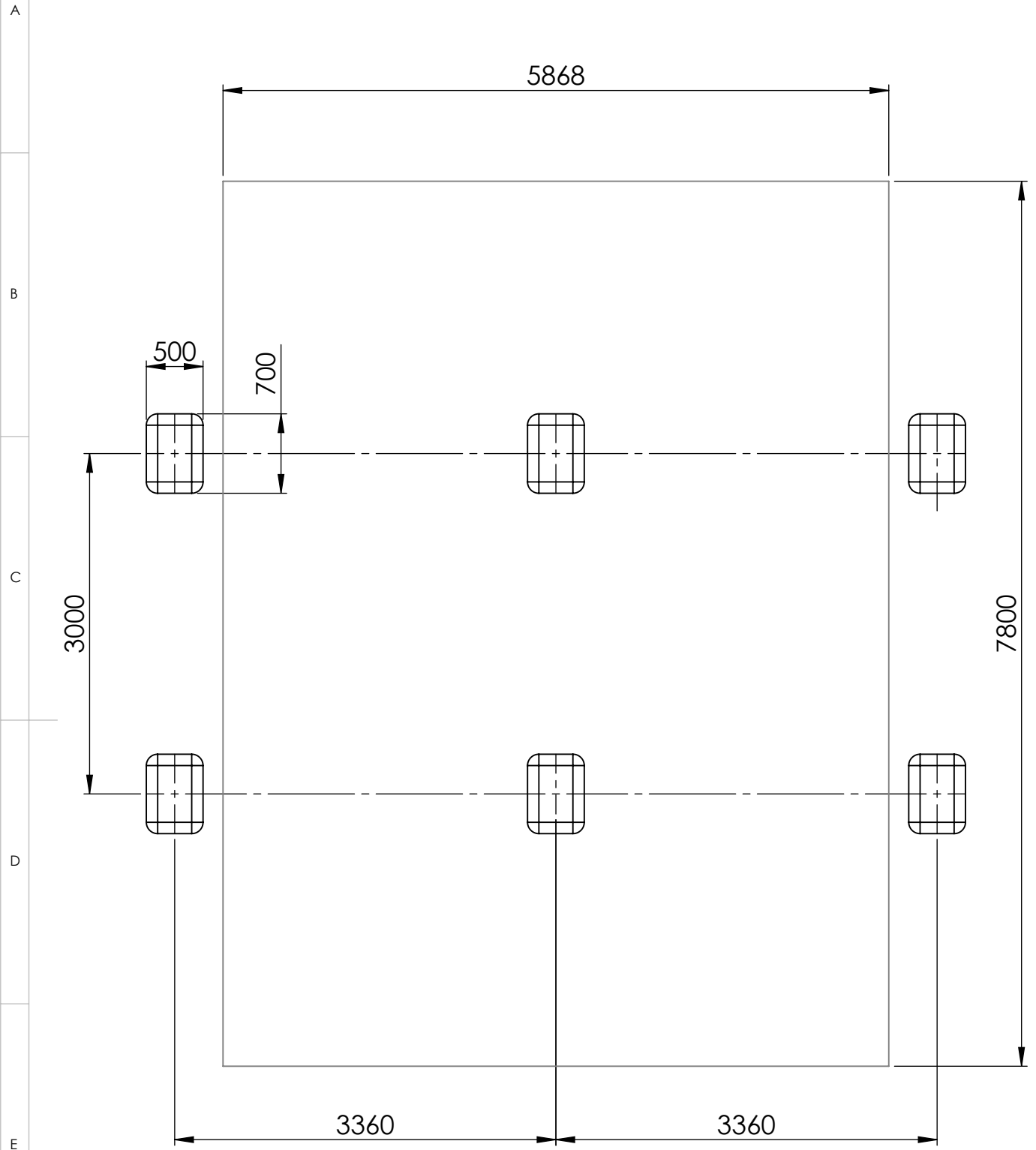
A4

WEIGHT:

SCALE: 1:50

SHEET 2 OF 9

foundation



UNLESS OTHERWISE SPECIFIED:
DIMENSIONS ARE IN MILLIMETERS
WEIGHT ARE IN KILOGRAMM

PART NUMBER / DWG NO.:

K008 P

	NAME	SIGNATURE	DATE	REVISION
DRAWN	M.Rebase		04.07.2016	
APPV'D				

DESCRIPTION:

Swing construction DUCAT 4 places



Tiptaptap OÜ

Tiptaptap OÜ
Veetorni 9,
Jüri alevik, Rae vald,
75301 Harjumaa

MATERIAL:

wood, metal, plastic

A4

WEIGHT:

SCALE: 1:50

SHEET 3 OF 9

A

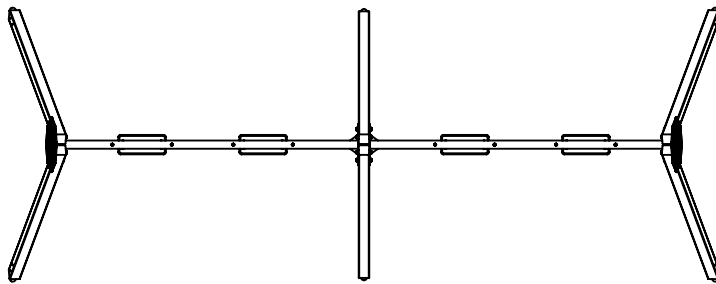
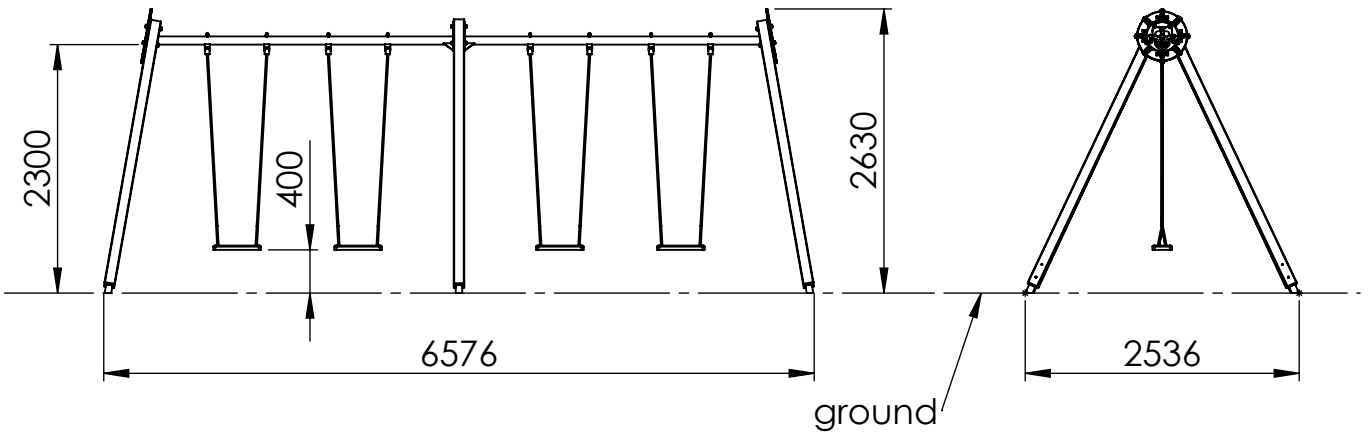
B

C

D

E

F



UNLESS OTHERWISE SPECIFIED: DIMENSIONS ARE IN MILLIMETERS WEIGHT ARE IN KILOGRAMM				
	NAME	SIGNATURE	DATE	REVISION
DRAWN	M.Rebase		04.07.2016	
APPV'D				

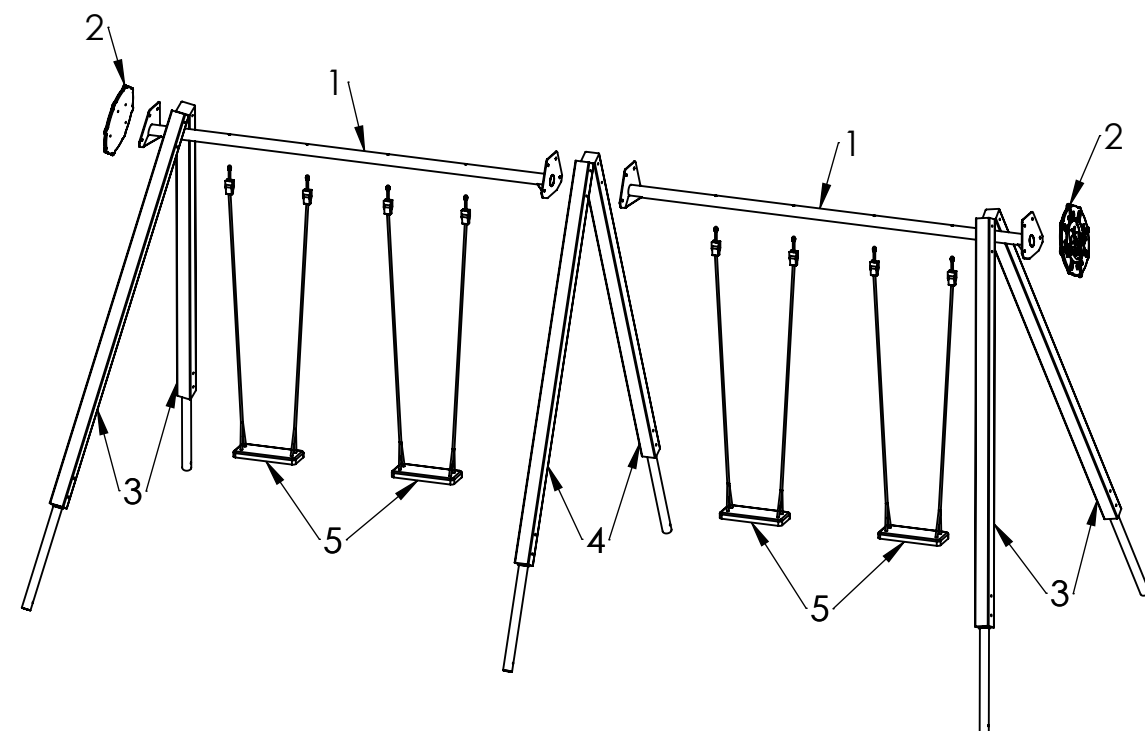
PART NUMBER / DWG NO.:	K008 P
------------------------	--------

DESCRIPTION:
Swing construction DUCAT 4 places



Tiptiptap OÜ
Veetorni 9,
Jüri alevik, Rae vald,
75301 Harjumaa

MATERIAL:	wood, metal, plastic	A4
WEIGHT:		SCALE: 1:70
		SHEET 4 OF 9



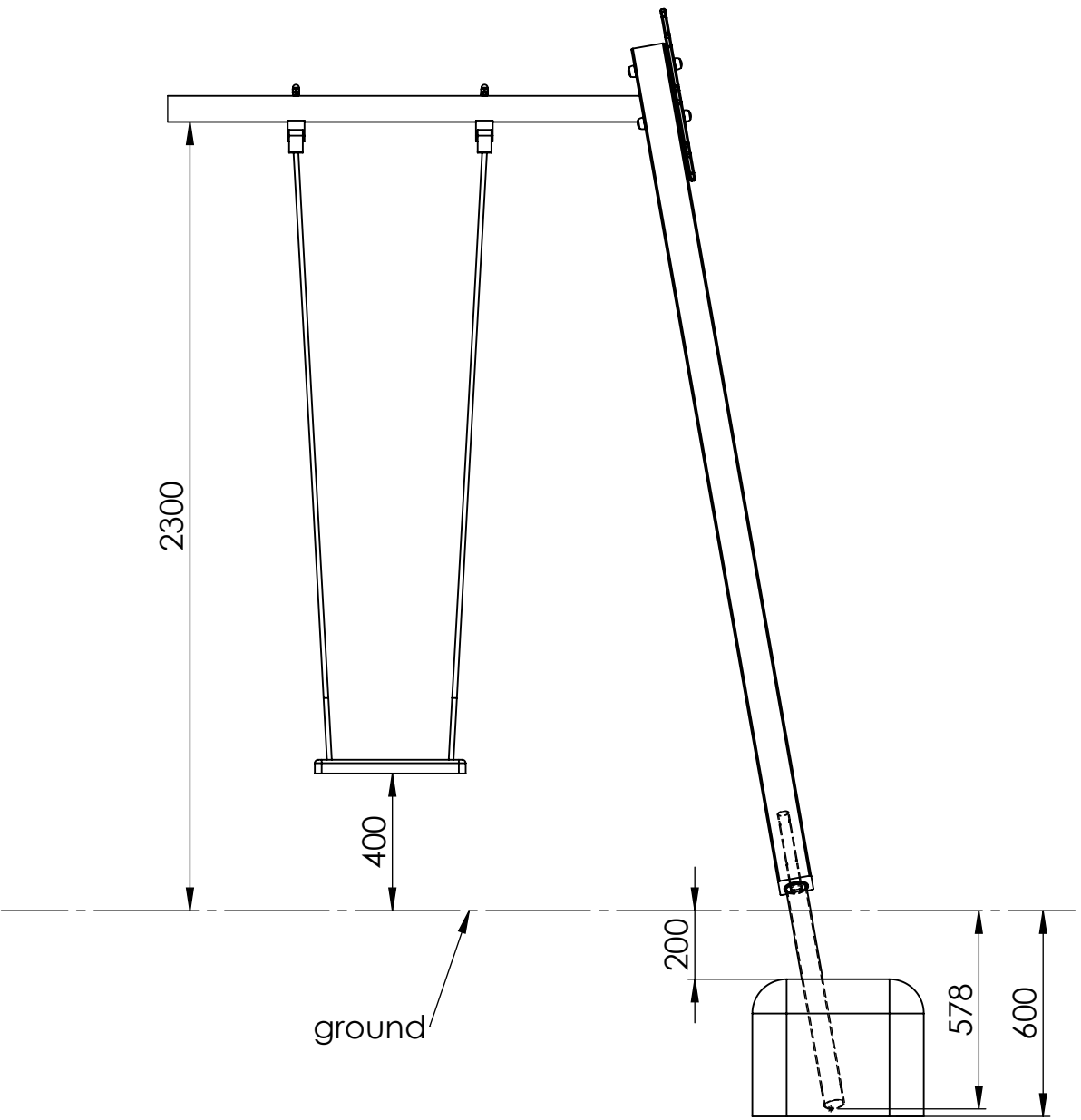
ITEM NO.	PART NUMBER	DESCRIPTION	QTY.
1	beam 76x2860	galvanized steel	2
2	side fixture	plastic	2
3	post 98x98x2720	laminated wood	4
4	post 98x98x2695	laminated wood	2
5	seat complete with fixings	rubber compound with aluminium insert	4

UNLESS OTHERWISE SPECIFIED: DIMENSIONS ARE IN MILLIMETERS WEIGHT ARE IN KILOGRAMM				
	NAME	SIGNATURE	DATE	REVISION
DRAWN	M.Rebase		04.07.2016	
APPV'D				

PART NUMBER / DWG NO.:	K008 P
DESCRIPTION:	Swing construction DUCAT 4 places


Tiptaptap OÜ
 Veetorni 9,
 Jüri alevik, Rae vald,
 75301 Harjumaa

MATERIAL:	wood, metal, plastic	A4
WEIGHT:	SCALE: 1:50	SHEET 5 OF 9



UNLESS OTHERWISE SPECIFIED:
DIMENSIONS ARE IN MILLIMETERS
WEIGHT ARE IN KILOGRAMM

PART NUMBER / DWG NO.:

K008 P

	NAME	SIGNATURE	DATE	REVISION
DRAWN	M.Rebase		04.07.2016	
APPV'D				

DESCRIPTION:

Swing construction DUCAT 4 places



Tiptiptap OÜ

Tiptiptap OÜ
Veetorni 9,
Jüri alevik, Rae vald,
75301 Harjumaa

MATERIAL:

wood, metal, plastic

A4

WEIGHT:

SCALE: 1:20

SHEET 6 OF 9

A

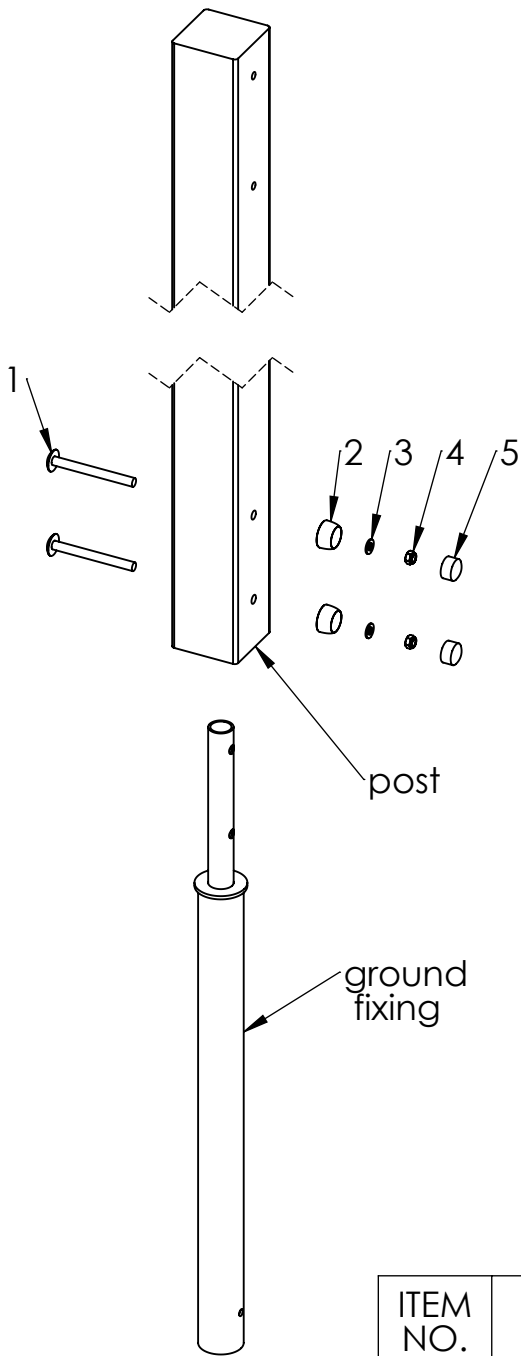
B

C

D

E

F



ITEM NO.	PART NUMBER
1	bolt DIN603 M12x120
2	nut cover M12
3	washer M10
4	nut DIN985 M10
5	nut cover cap M12

UNLESS OTHERWISE SPECIFIED:
 DIMENSIONS ARE IN MILLIMETERS
 WEIGHT ARE IN KILOGRAMM

PART NUMBER / DWG NO.:

K008 P

	NAME	SIGNATURE	DATE	REVISION
DRAWN	M.Rebase		04.07.2016	
APPV'D				

DESCRIPTION:

Swing construction DUCAT 4 places



Tiptiptap OÜ

Tiptiptap OÜ
 Veetorni 9,
 Jüri alevik, Rae vald,
 75301 Harjumaa

MATERIAL:

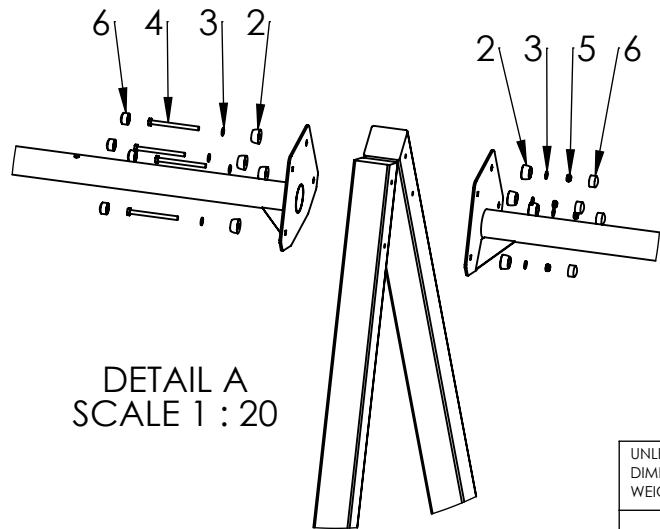
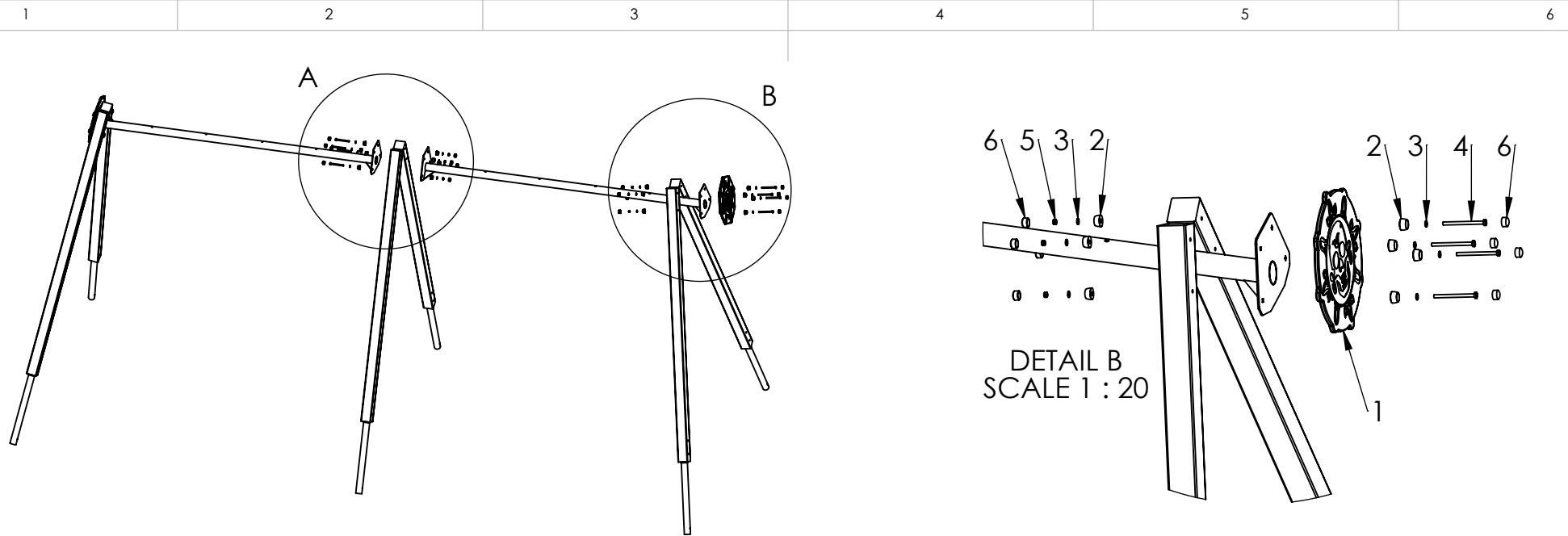
wood, metal, plastic

A4

WEIGHT:

SCALE: 1:10

SHEET 7 OF 9



ITEM NO.	PART NUMBER
1	side fixture
2	nut cover M12
3	washer M10
4	bolt DIN931 M10x140
5	nut DIN985 M10
6	nut cover cap M12

UNLESS OTHERWISE SPECIFIED:
 DIMENSIONS ARE IN MILLIMETERS
 WEIGHT ARE IN KILOGRAMM

	NAME	SIGNATURE	DATE	REVISION
DRAWN	M.Rebase		04.07.2016	
APPV'D				

PART NUMBER / DWG NO.:
K008 P

DESCRIPTION:
Swing construction DUCAT 4 places



Tiptaptap OÜ
 Veetorni 9,
 Jüri alevik, Rae vald,
 75301 Harjumaa

MATERIAL:	wood, metal, plastic	A4
WEIGHT:	SCALE: 1:60	SHEET 8 OF 9

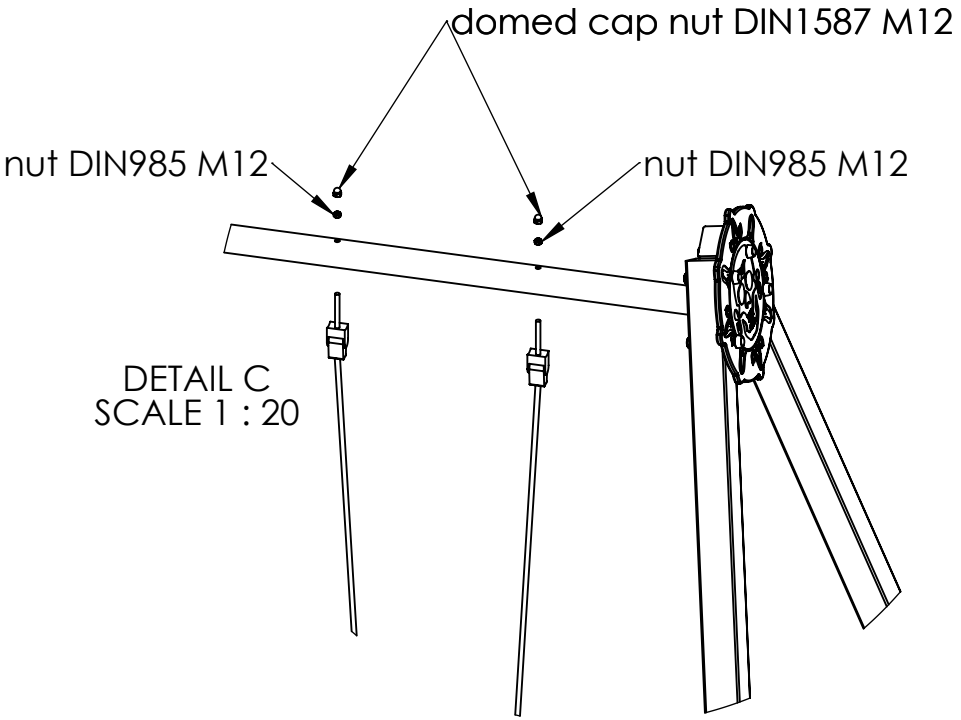
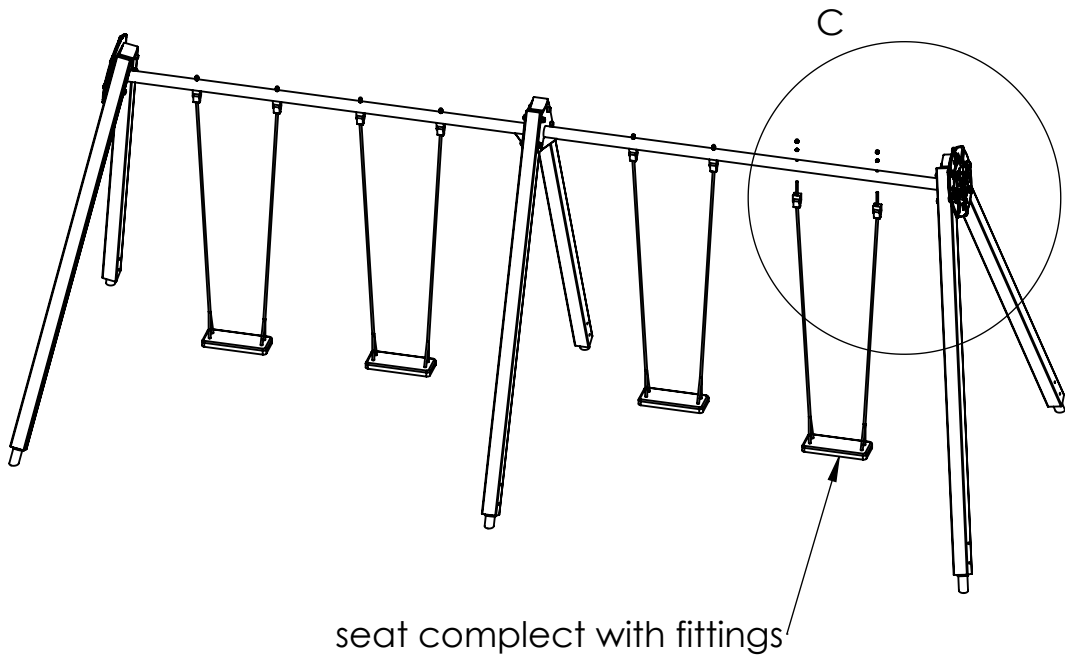
A

B

C

D

E



UNLESS OTHERWISE SPECIFIED:
DIMENSIONS ARE IN MILLIMETERS
WEIGHT ARE IN KILOGRAMM

	NAME	SIGNATURE	DATE	REVISION
DRAWN	M.Rebase		04.07.2016	
APPV'D				

PART NUMBER / DWG NO.:	K008 P
DESCRIPTION:	Swing construction DUCAT 4 places

Tiptaptap OÜ
Veetorni 9,
Jüri alevik, Rae vald,
75301 Harjumaa

MATERIAL:	wood, metal, plastic	A4
WEIGHT:	SCALE: 1:50	SHEET 9 OF 9