

A

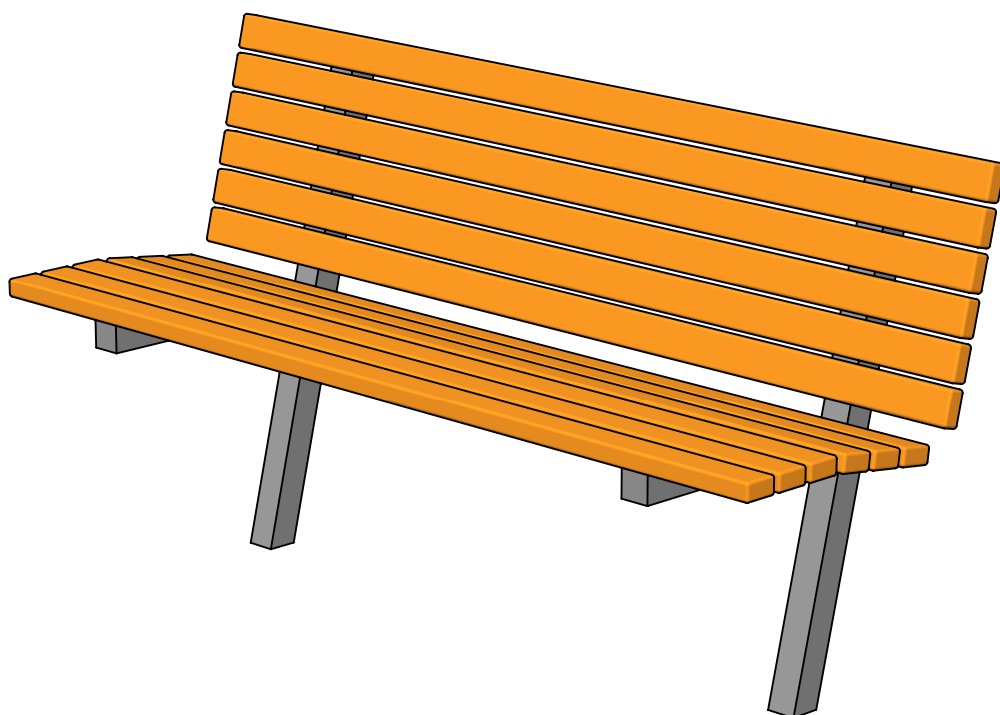
B

C

D

E

F



UNLESS OTHERWISE SPECIFIED:
DIMENSIONS ARE IN MILLIMETERS
WEIGHT ARE IN KILOGRAMM

PART NUMBER / DWG NO.:

IPPT01

	NAME	SIGNATURE	DATE	REVISION
DRAWN	M.Rebase		01.10.2015	
APPV'D				

DESCRIPTION:

Park bench TARTU



Tiptaptap OÜ

Tiptaptap OÜ
Veetorni 9,
Jüri alevik, Rae vald,
75301 Harjumaa

MATERIAL:

wood, metal, plastic

A4

WEIGHT: 36 kg

SCALE: 1:10

SHEET 1 OF 2

A

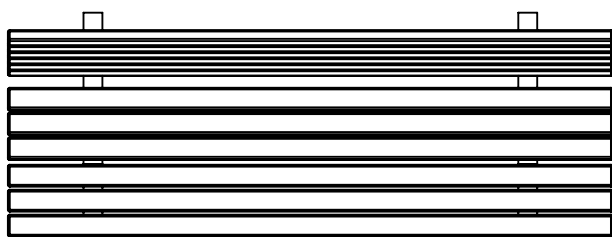
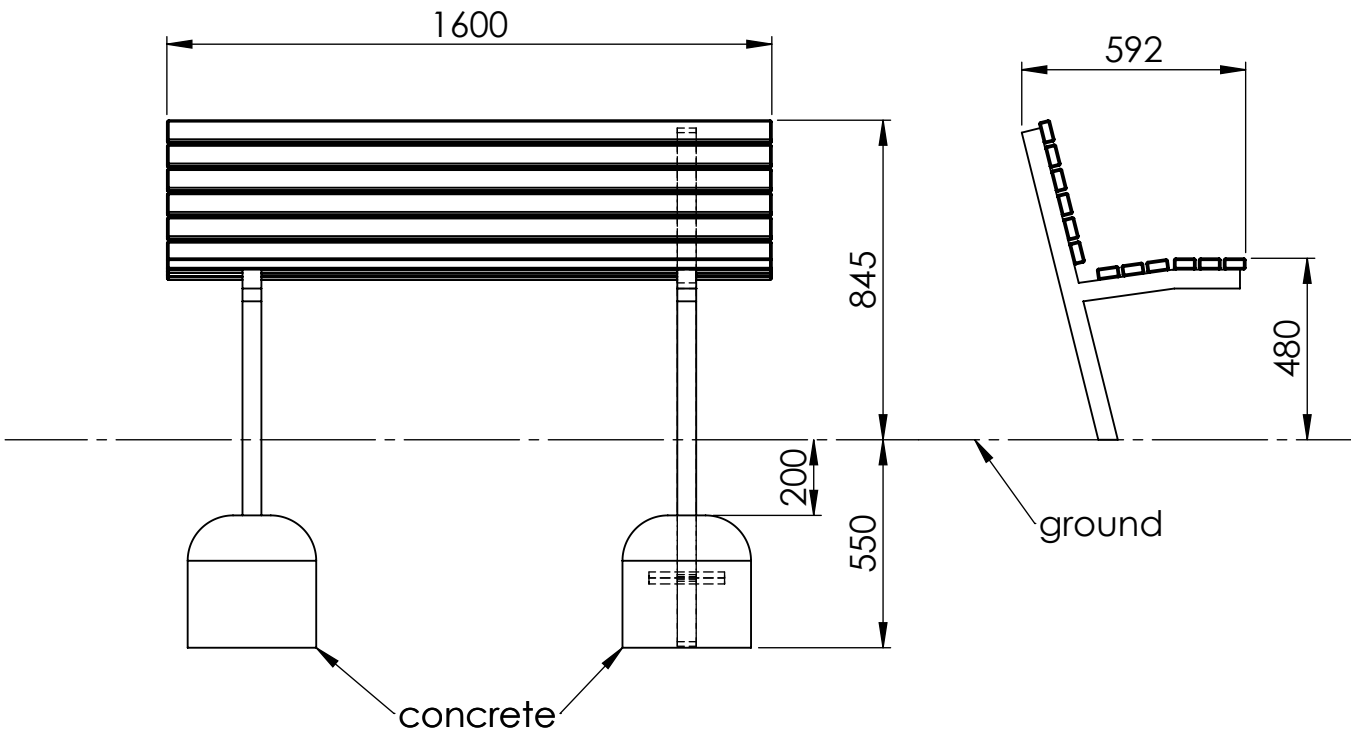
B

C

D

E

F



UNLESS OTHERWISE SPECIFIED:
DIMENSIONS ARE IN MILLIMETERS
WEIGHT ARE IN KILOGRAMM

	NAME	SIGNATURE	DATE	REVISION
DRAWN	M.Rebase		01.10.2015	
APPV'D				

PART NUMBER / DWG NO.:	IPPT01		
DESCRIPTION:	Park bench TARTU		



Tiptaptap OÜ
Veetorni 9,
Jüri alevik, Rae vald,
75301 Harjumaa

MATERIAL:	wood, metal, plastic	A4
WEIGHT: 36 kg	SCALE: 1:20	SHEET 2 OF 2