

A

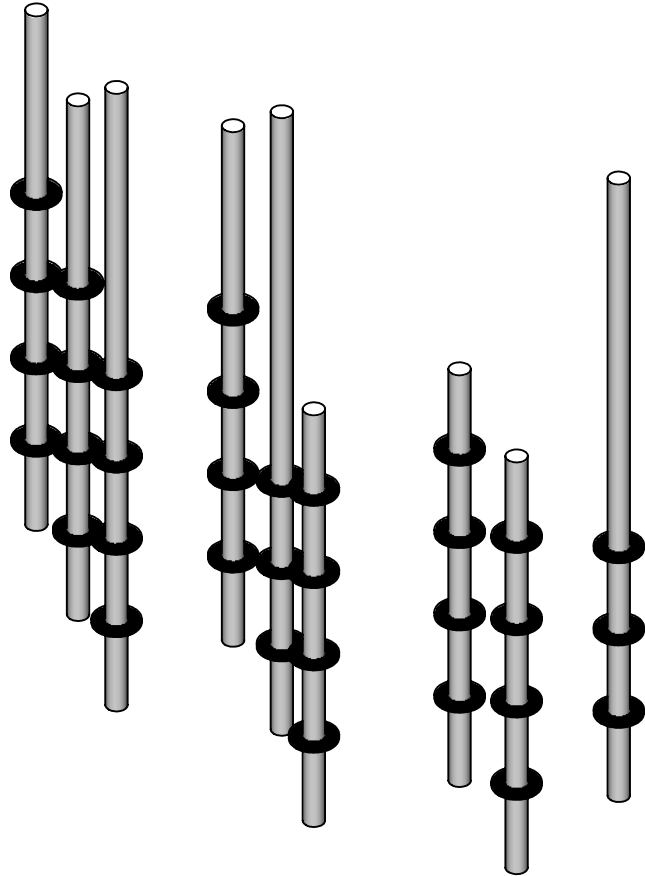
B

C

D

E

F



UNLESS OTHERWISE SPECIFIED:
 DIMENSIONS ARE IN MILLIMETERS
 WEIGHT ARE IN KILOGRAMM

PART NUMBER / DWG NO.: **KRS2 MF**

	NAME	SIGNATURE	DATE	REVISION
DRAWN	E.Reispere		10.10.2024	
APPV'D				

DESCRIPTION:
STRAW set with climbing steps 9 pcs.



MATERIAL:	metal, plastic	A4
WEIGHT:		SCALE: 1:30
		SHEET 1 OF 7

A

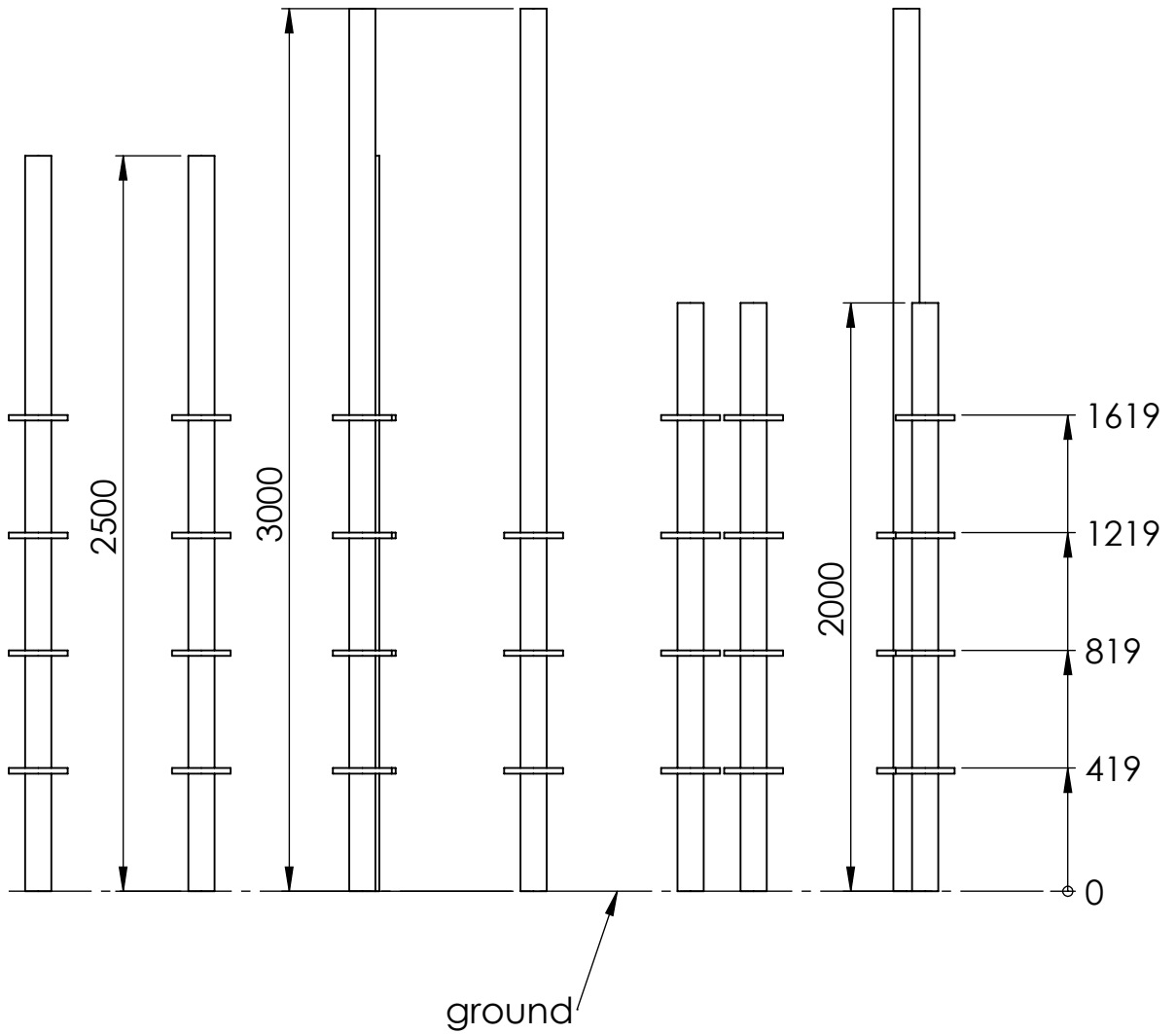
B

C

D

E

F



UNLESS OTHERWISE SPECIFIED:
 DIMENSIONS ARE IN MILLIMETERS
 WEIGHT ARE IN KILOGRAMM

PART NUMBER / DWG NO.:

KRS2 MF

	NAME	SIGNATURE	DATE	REVISION
DRAWN	E.Reispere		10.10.2024	
APPV'D				

DESCRIPTION:

STRAW set with climbing steps 9 pcs.

MATERIAL:

metal, plastic

A4

WEIGHT:

SCALE: 1:20

SHEET 2 OF 7



Tiptiptap OÜ

safety area

A

XXXX

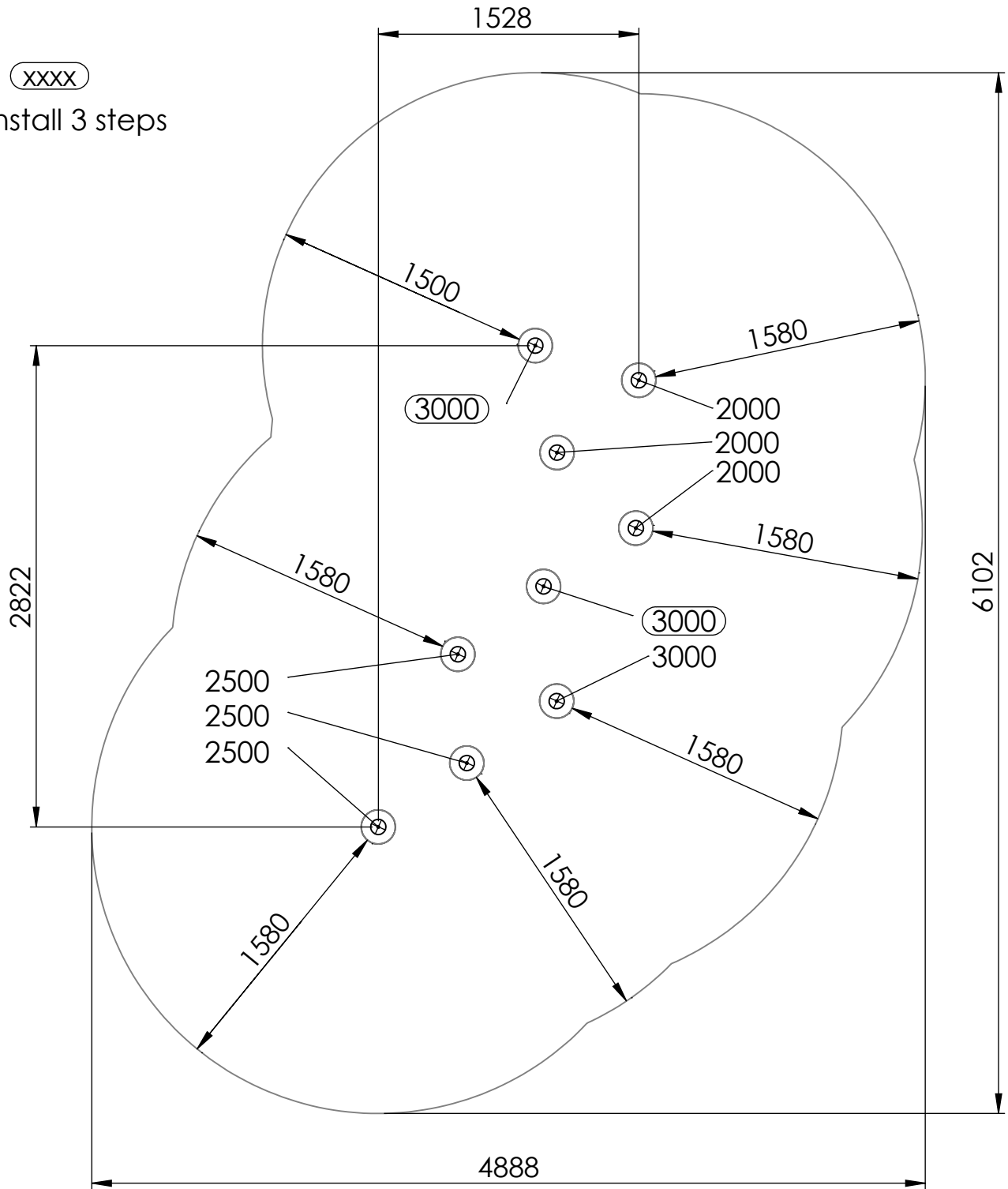
install 3 steps

B


C

D

E



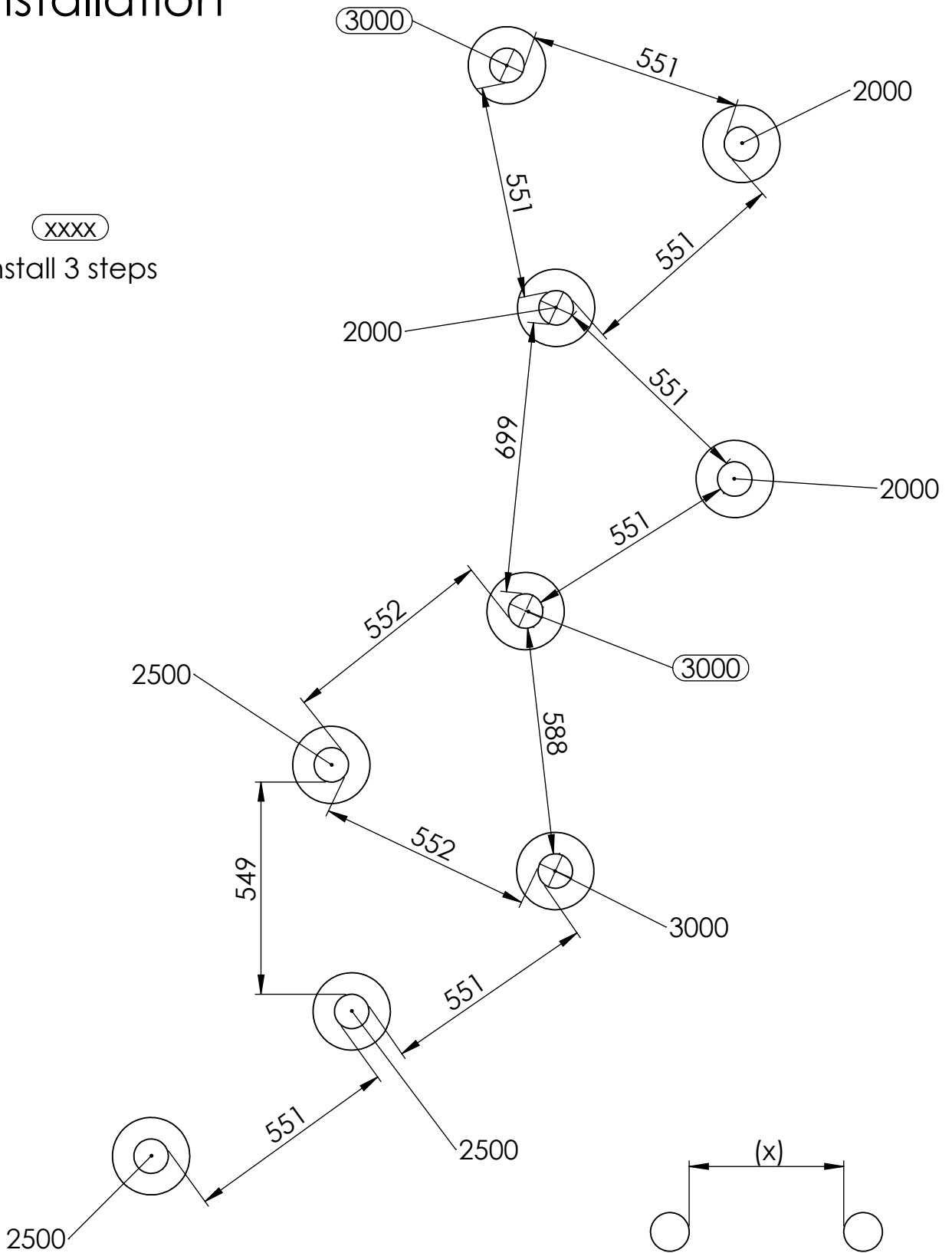
safety area: 21,60 m²

UNLESS OTHERWISE SPECIFIED: DIMENSIONS ARE IN MILLIMETERS WEIGHT ARE IN KILOGRAMM				PART NUMBER / DWG NO.: KRS2 MF		
	NAME	SIGNATURE	DATE	REVISION		
DRAWN	E.Reispere		10.10.2024			
APPV'D						
 Tiptiptap OÜ				DESCRIPTION: STRAW set with climbing steps 9 pcs.		
				MATERIAL: metal, plastic		A4
				WEIGHT:	SCALE: 1:30	SHEET 3 OF 7

installation

XXXX

install 3 steps



UNLESS OTHERWISE SPECIFIED:
DIMENSIONS ARE IN MILLIMETERS
WEIGHT ARE IN KILOGRAMM

PART NUMBER / DWG NO.:

KRS2 MF

	NAME	SIGNATURE	DATE	REVISION
DRAWN	E.Reispere		10.10.2024	
APPV'D				

DESCRIPTION:

STRAW set with climbing steps 9 pcs.

MATERIAL:

metal, plastic

A4

WEIGHT:

SCALE: 1:30

SHEET 4 OF 7



Tiptiptap OÜ

foundation

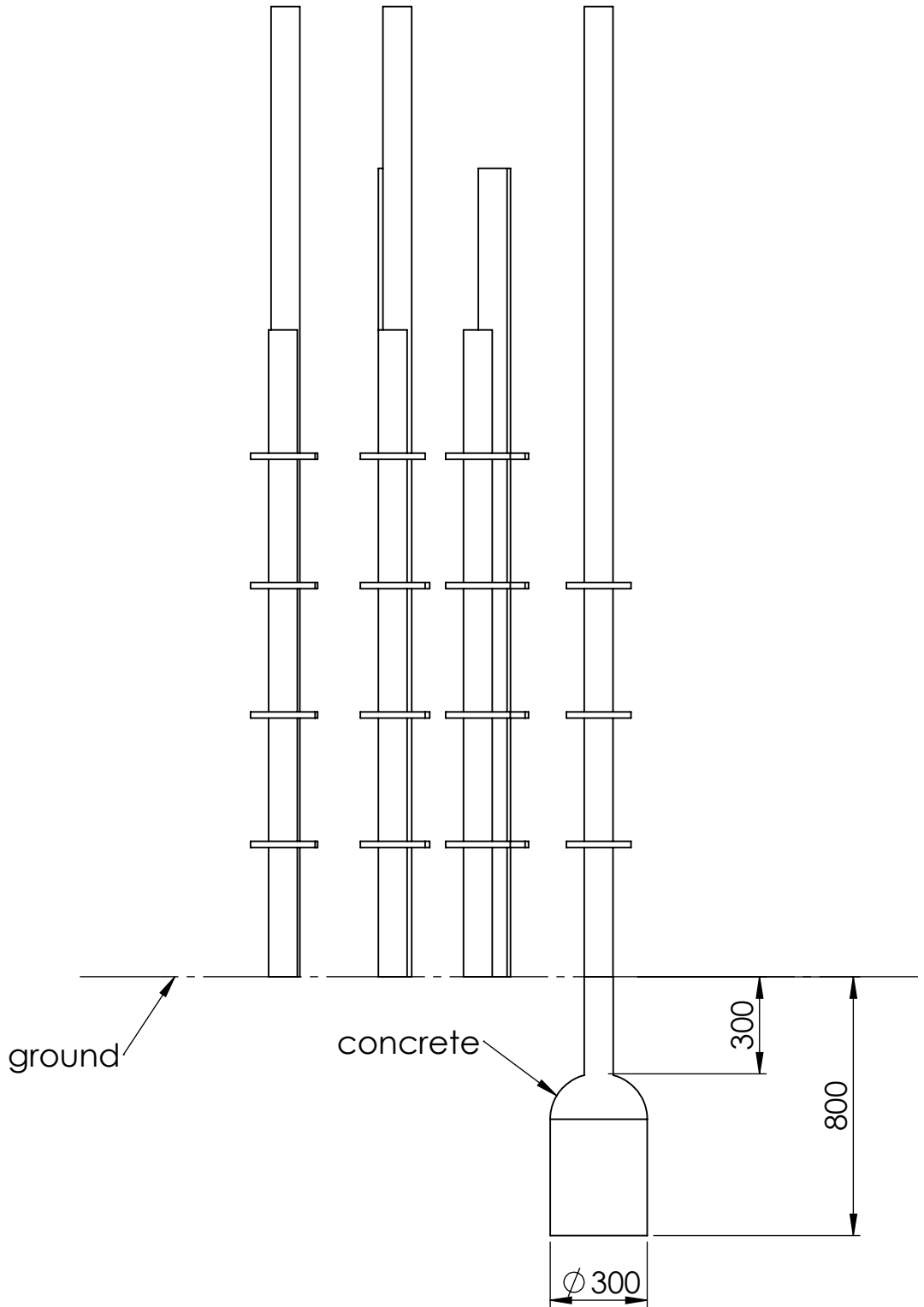
A

B

C

D

E



UNLESS OTHERWISE SPECIFIED: DIMENSIONS ARE IN MILLIMETERS WEIGHT ARE IN KILOGRAMM				
	NAME	SIGNATURE	DATE	REVISION
DRAWN	E.Reispere		10.10.2024	
APPV'D				

PART NUMBER / DWG NO.: **KRS2 MF**

DESCRIPTION:
STRAW set with climbing steps 9 pcs.



MATERIAL:	metal, plastic	A4
WEIGHT:	SCALE: 1:20	SHEET 5 OF 7

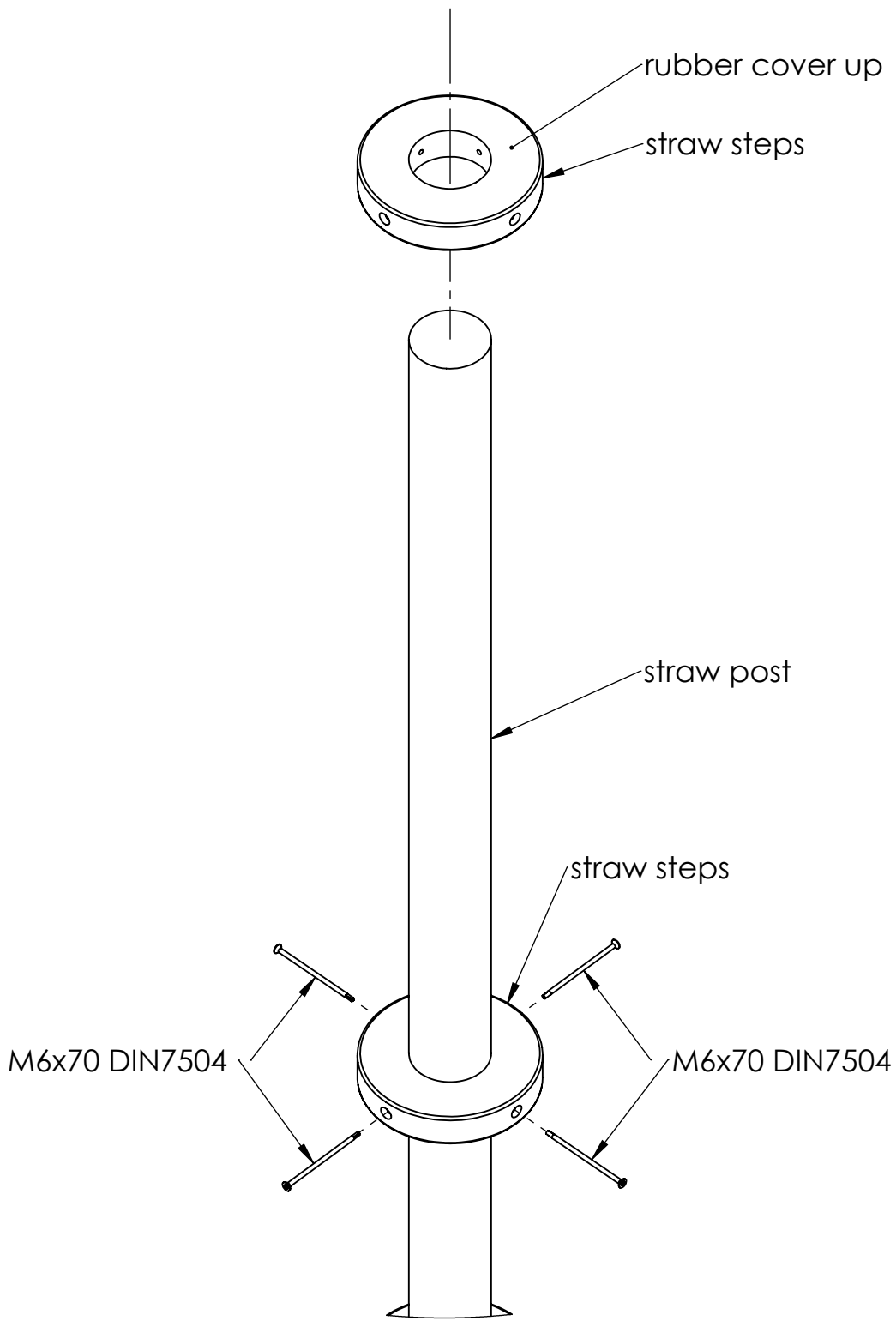
A

B

C

D

E



UNLESS OTHERWISE SPECIFIED:
 DIMENSIONS ARE IN MILLIMETERS
 WEIGHT ARE IN KILOGRAMM

PART NUMBER / DWG NO.:

KRS2 MF

	NAME	SIGNATURE	DATE	REVISION
DRAWN	E.Reispere		10.10.2024	
APPV'D				

DESCRIPTION:

STRAW set with climbing steps 9 pcs.

F



Tiptiptap⁰⁰

MATERIAL:

metal, plastic

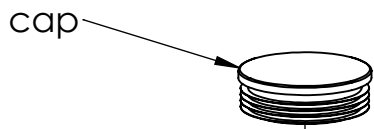
A4

WEIGHT:

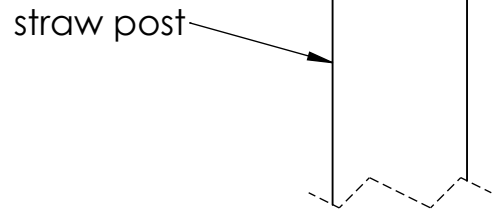
SCALE: 1:30

SHEET 6 OF 7

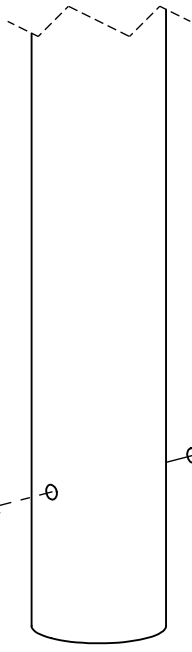
A



B

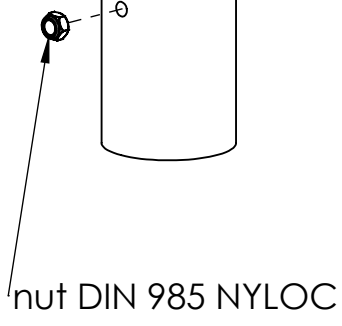


C

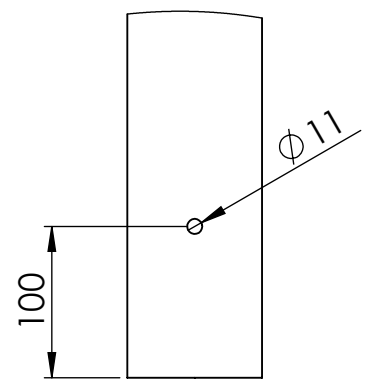


bolt M10x110 DIN 931

D



E



UNLESS OTHERWISE SPECIFIED:
 DIMENSIONS ARE IN MILLIMETERS
 WEIGHT ARE IN KILOGRAMM

PART NUMBER / DWG NO.: **KRS2 MF**

	NAME	SIGNATURE	DATE	REVISION
DRAWN	E.Reispere		10.10.2024	
APPV'D				

DESCRIPTION:
STRAW set with climbing steps 9 pcs.



MATERIAL:	metal, plastic	A4
WEIGHT:	SCALE: 1:30	SHEET 7 OF 7