

A

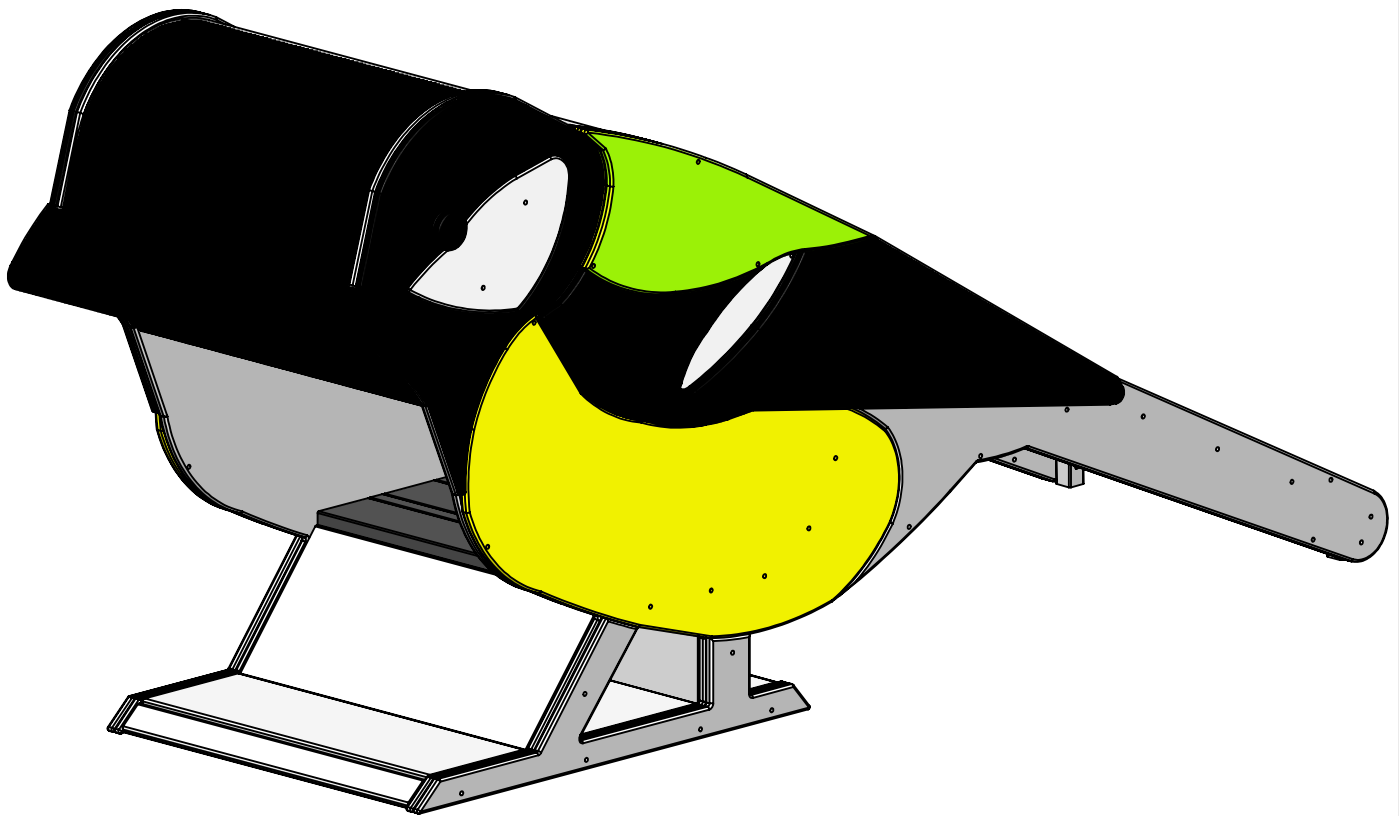
B

C

D

E

F



UNLESS OTHERWISE SPECIFIED:
 DIMENSIONS ARE IN MILLIMETERS
 WEIGHT ARE IN KILOGRAMM

PART NUMBER / DWG NO.:

LIND2

	NAME	SIGNATURE	DATE	REVISION
DRAWN	I.Agar		10.03.2022	
APPV'D				

DESCRIPTION:

Play house Great tit



Tiptiptap⁰⁰

MATERIAL:

wood, metal, plastic

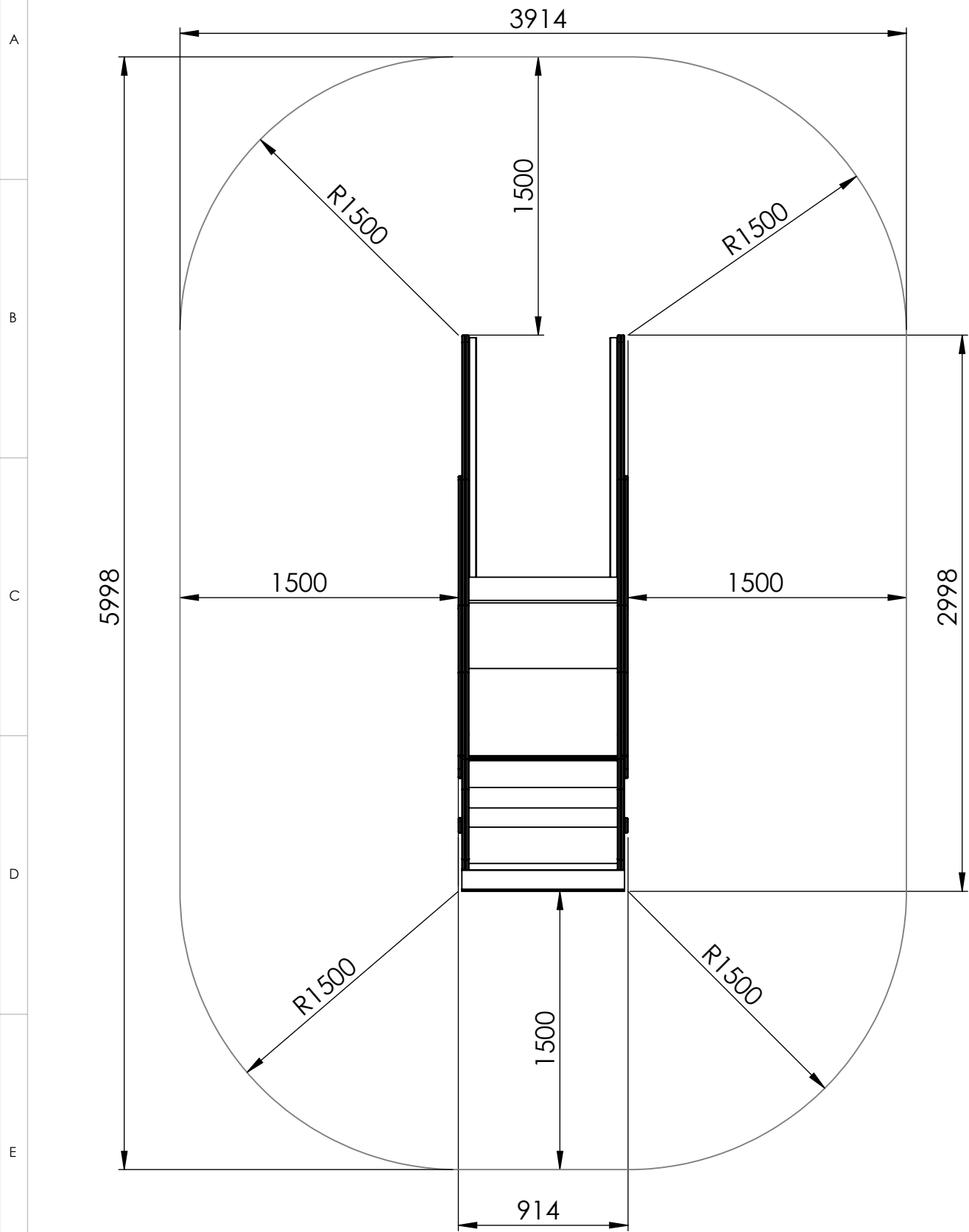
A4

WEIGHT:

SCALE: 1:15

SHEET 1 OF 6

Safety area



UNLESS OTHERWISE SPECIFIED:
DIMENSIONS ARE IN MILLIMETERS
WEIGHT ARE IN KILOGRAMM

PART NUMBER / DWG NO.:

LIND2

	NAME	SIGNATURE	DATE	REVISION
DRAWN	I.Agar		10.03.2022	
APPV'D				

DESCRIPTION:

Play house Great tit

F



Tiptiptap⁰⁰

MATERIAL:

wood, metal, plastic

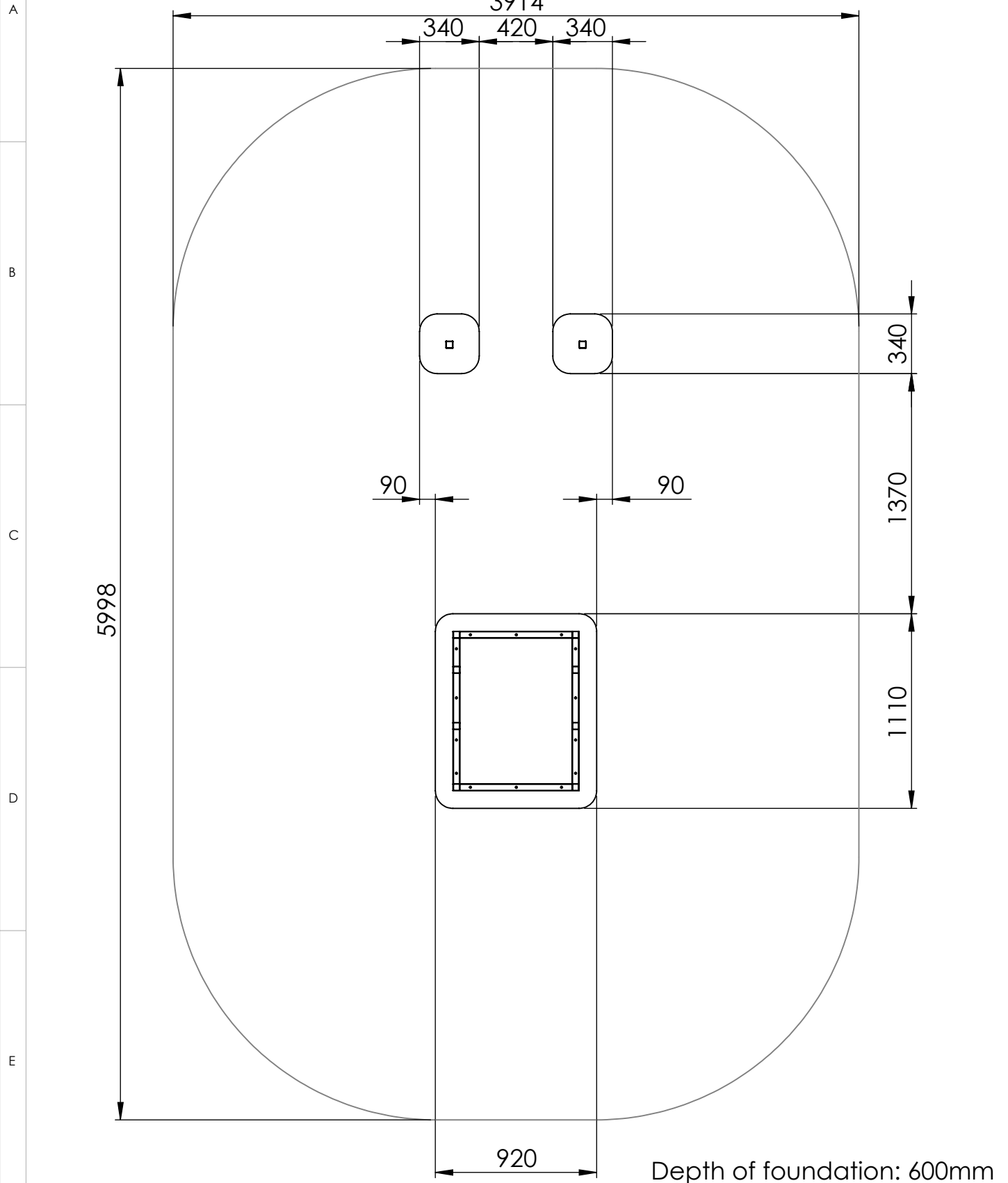
A4

WEIGHT:

SCALE: 1:30

SHEET 2 OF 6

Foundation



UNLESS OTHERWISE SPECIFIED:
DIMENSIONS ARE IN MILLIMETERS
WEIGHT ARE IN KILOGRAMM

PART NUMBER / DWG NO.:

LIND2

	NAME	SIGNATURE	DATE	REVISION
DRAWN	I.Agar		10.03.2022	
APPV'D				

DESCRIPTION:

Play house Great tit



Tiptap^{ÖÜ}

MATERIAL:

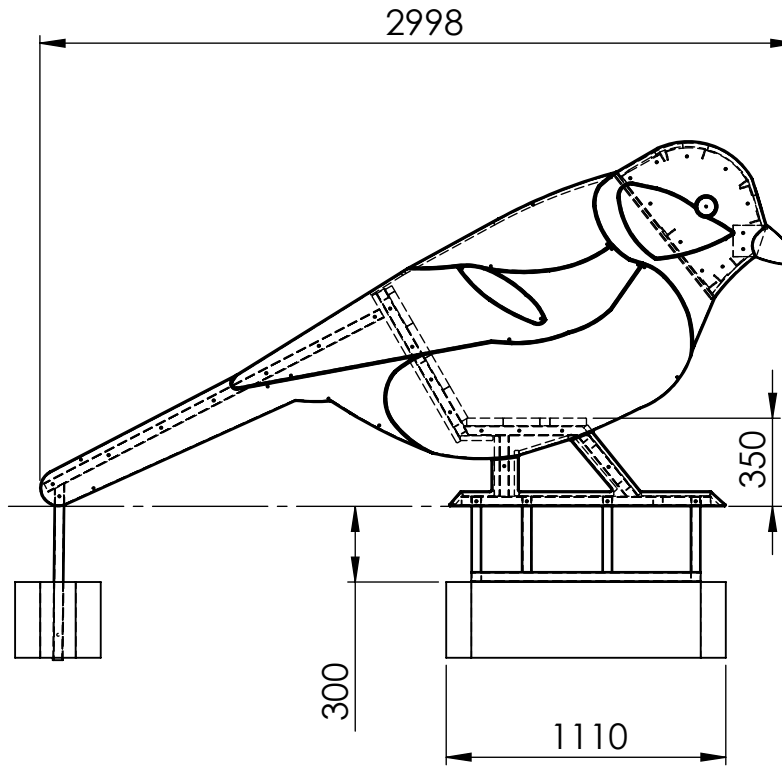
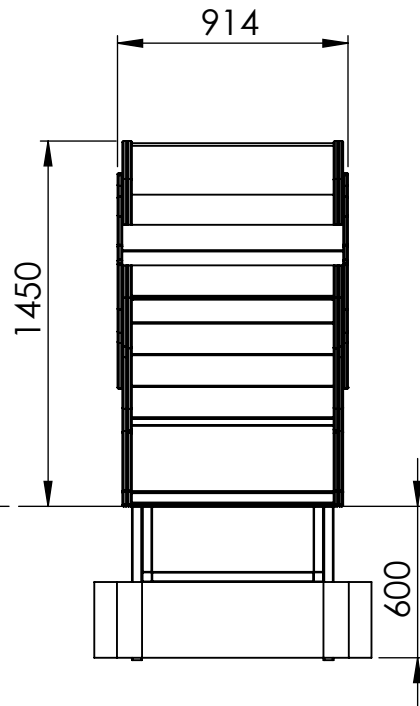
wood, metal, plastic

A4

WEIGHT:

SCALE: 1:30

SHEET 3 OF 6



UNLESS OTHERWISE SPECIFIED:
 DIMENSIONS ARE IN MILLIMETERS
 WEIGHT ARE IN KILOGRAMM

PART NUMBER / DWG NO.:
LIND2

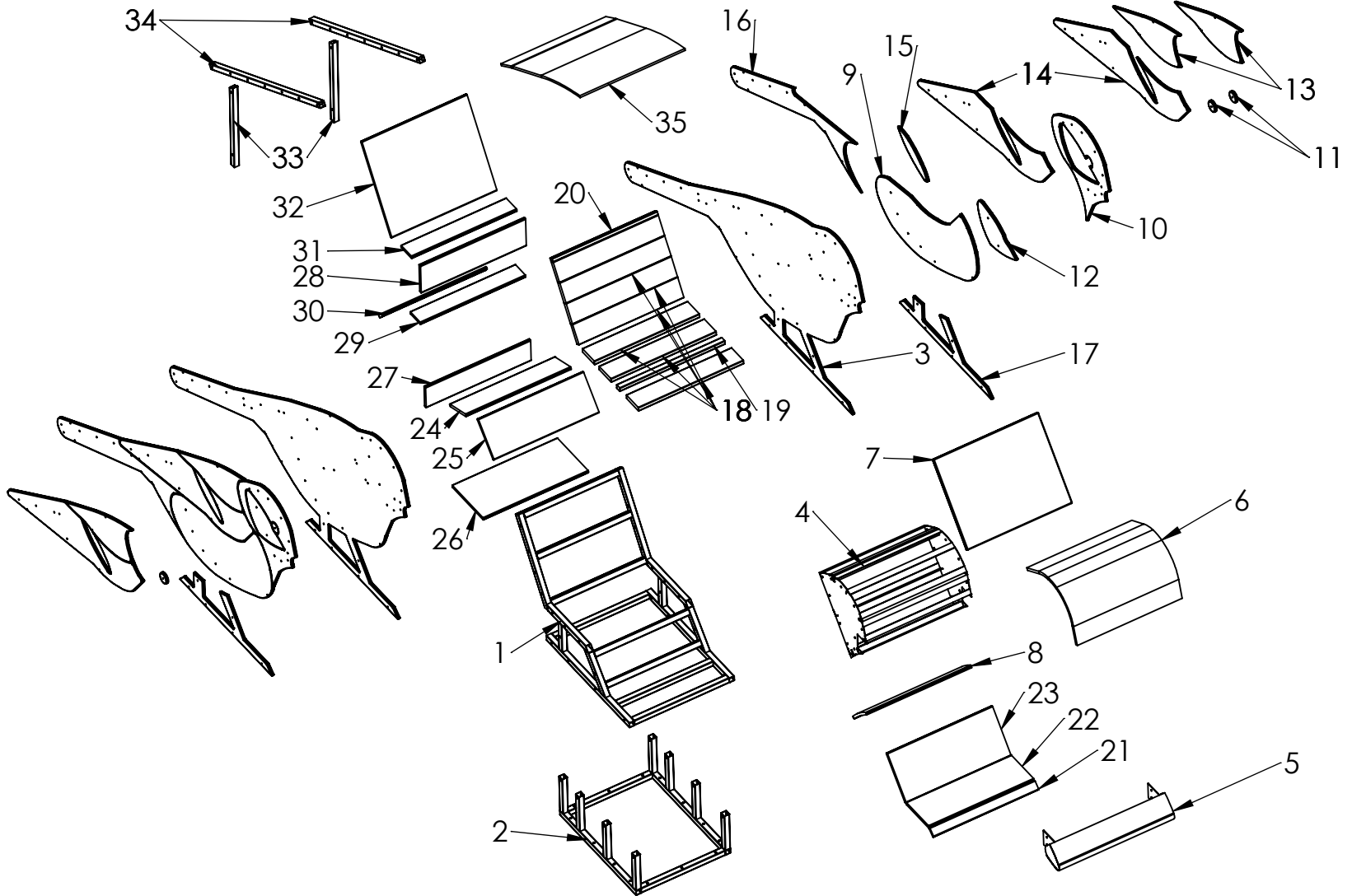
	NAME	SIGNATURE	DATE	REVISION
DRAWN	I.Agar		10.03.2022	
APPV'D				

DESCRIPTION:
Play house Great tit



MATERIAL: wood, metal, plastic A4

WEIGHT: SCALE: 1:30 SHEET 4 OF 6



UNLESS OTHERWISE SPECIFIED:
 DIMENSIONS ARE IN MILLIMETERS
 WEIGHT ARE IN KILOGRAMM

PART NUMBER / DWG NO.: **LIND2**

	NAME	SIGNATURE	DATE	REVISION
DRAWN	I.Agar		10.03.2022	
APPV'D				

DESCRIPTION:
Play house Great tit



MATERIAL:	wood, metal, plastic	A4
WEIGHT:		SCALE: 1:40
		SHEET 5 OF 6

	1	2	3	4	
	ITEM NO.	PART NUMBER	DESCRIPTION	QTY.	
A	1	LIND2 frame	galvanized steel	1	
	2	LIND2 groundfixing frame	galvanized steel	1	
	3	LIND2 big panel	HDPE plastic	2	
	4	LIND2 head frame	galvanized steel	1	
	5	LIND2 beak	painted steel	1	
B	6	LIND2 head cover plastic 1	HDPE plastic	1	
	7	LIND2 head cover plastic 2	HDPE plastic	1	
	8	LIND2 head cover plastic 3	HDPE plastic	1	
	9	LIND2 cover panel 1	HDPE plastic	2	
	10	LIND2 cover panel 2	HDPE plastic	2	
	11	LIND2 cover panel 3	HDPE plastic	4	
	12	LIND2 cover panel 4	HDPE plastic	2	
	13	LIND2 cover panel 5	HDPE plastic	4	
	14	LIND2 cover panel 6	HDPE plastic	4	
C	15	LIND2 cover panel 7	HDPE plastic	2	
	16	LIND2 cover panel 8	HDPE plastic	2	
	17	LIND2 cover panel 9	HDPE plastic	2	
	18	LIND2 30x145x800 board	Laminated wood	7	
	19	LIND2 30x40x800 board	Laminated wood	1	
D	20	LIND2 30x50x800 board	Laminated wood	1	
	21	LIND2 leg cover 1	HDPE plastic	1	
	22	LIND2 leg cover 2	HDPE plastic	1	
	23	LIND2 leg cover 3	HDPE plastic	1	
	24	LIND2 leg cover 4	HDPE plastic	1	
	25	LIND2 leg cover 5	HDPE plastic	1	
	26	LIND2 leg cover 6	HDPE plastic	1	
	27	LIND2 leg cover 7	HDPE plastic	1	
	28	LIND2 leg cover 8	HDPE plastic	1	
E	29	LIND2 leg cover 9	HDPE plastic	1	
	30	LIND2 leg cover 10	HDPE plastic	1	
	31	LIND2 leg cover 11	HDPE plastic	1	
	32	LIND2 leg cover 12	HDPE plastic	1	
	33	LIND2 2x40x40x600 groundfixing	galvanized steel	2	
	34	LIND2 2x40x40x1500 tail tube	galvanized steel	2	
	35	LIND2 back panel	polycarbonate	1	
F	UNLESS OTHERWISE SPECIFIED: DIMENSIONS ARE IN MILLIMETERS WEIGHT ARE IN KILOGRAMM			PART NUMBER / DWG NO.: LIND2	
		NAME	SIGNATURE	DATE	REVISION
	DRAWN	I.Agar		10.03.2022	
	APPV'D				
			DESCRIPTION: Play house Great tit		
			MATERIAL: wood, metal, plastic		A4
			WEIGHT:		SCALE: 1:40 SHEET 6 OF 6



Tiptap OÜ