

A

B

C

D

E



UNLESS OTHERWISE SPECIFIED:
DIMENSIONS ARE IN MILLIMETERS
WEIGHT ARE IN KILOGRAMM

PART NUMBER / DWG NO.:

VLO51

| | NAME | SIGNATURE | DATE | REVISION |
|--------|------------|-----------|------------|----------|
| DRAWN | E.Reispere | | 01.02.2022 | |
| APPV'D | | | | |

DESCRIPTION:

Spring swing ZEBRA

F



Tiptiptap OÜ

Tiptiptap OÜ
Veetorni 9,
Jüri alevik, Rae vald,
75301 Harjumaa

MATERIAL:

metal, plastic

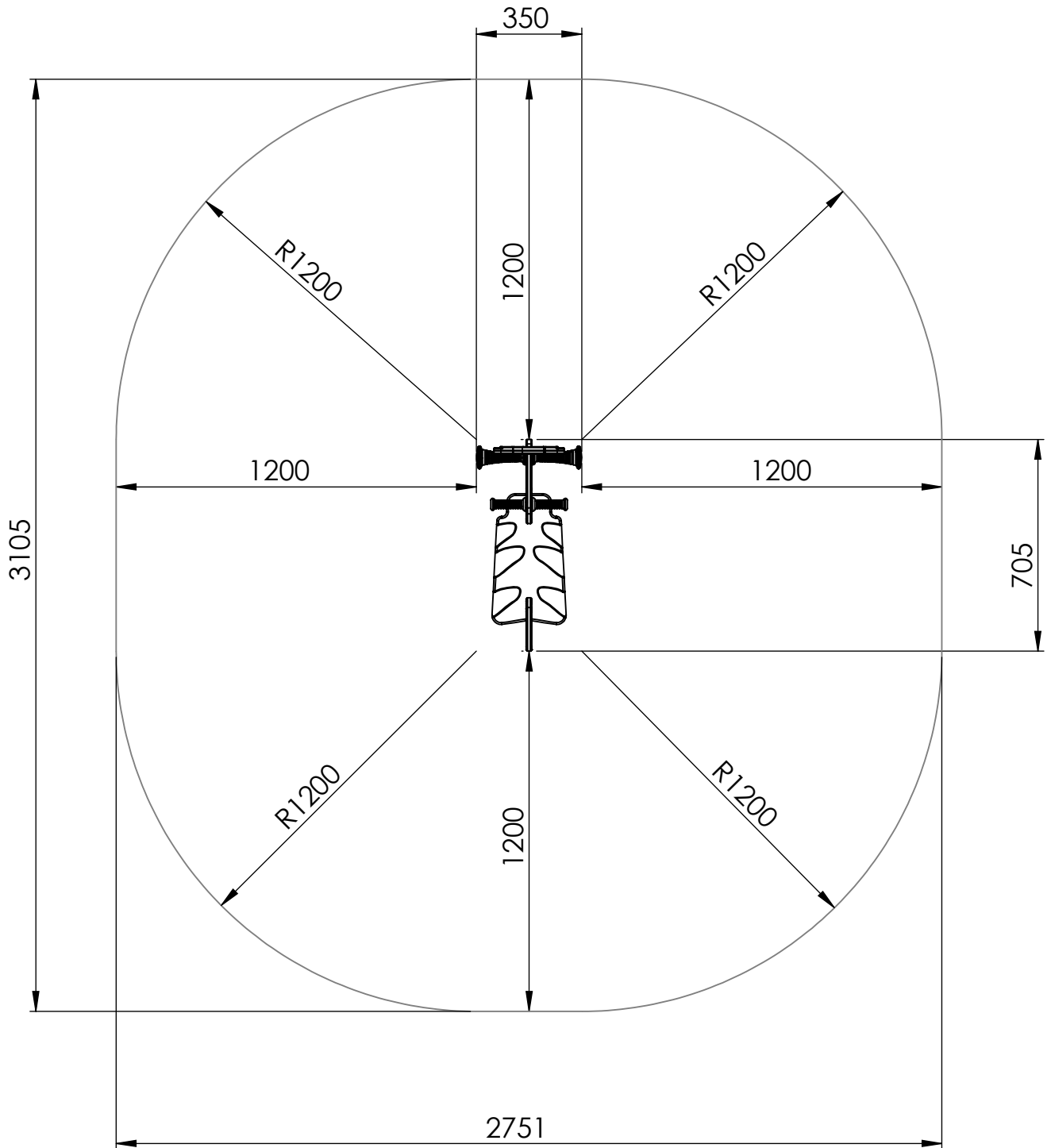
A4

WEIGHT:

SCALE: 1:20

SHEET 1 OF 10

safety area



UNLESS OTHERWISE SPECIFIED:
DIMENSIONS ARE IN MILLIMETERS
WEIGHT ARE IN KILOGRAMM

PART NUMBER / DWG NO.:

VLO51

| | NAME | SIGNATURE | DATE | REVISION |
|--------|------------|-----------|------------|----------|
| DRAWN | E.Reispere | | 01.02.2022 | |
| APPV'D | | | | |

DESCRIPTION:

Spring swing ZEBRA



Tiptaptap OÜ

Tiptaptap OÜ
Veetorni 9,
Jüri alevik, Rae vald,
75301 Harjumaa

MATERIAL:

metal, plastic

A4

WEIGHT:

SCALE: 1:20

SHEET 2 OF 10

foundation

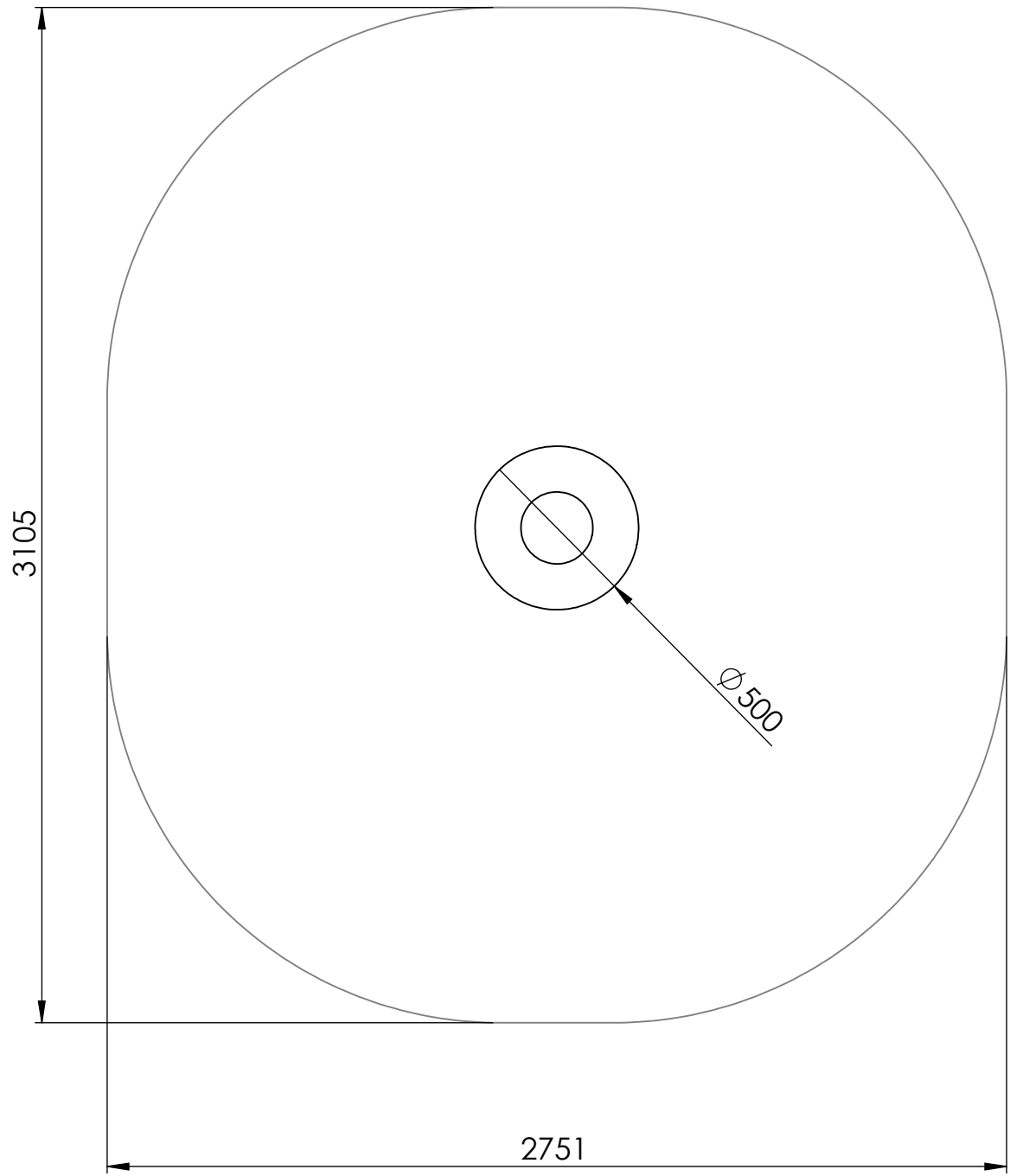
A

B

C

D

E



UNLESS OTHERWISE SPECIFIED:
 DIMENSIONS ARE IN MILLIMETERS
 WEIGHT ARE IN KILOGRAMM

PART NUMBER / DWG NO.:
VLO51

| | NAME | SIGNATURE | DATE | REVISION |
|--------|------------|-----------|------------|----------|
| DRAWN | E.Reispere | | 01.02.2022 | |
| APPV'D | | | | |

DESCRIPTION:
Spring swing ZEBRA

 **Tiptaptap** OÜ
 Veetorni 9,
 Jüri alevik, Rae vald,
 75301 Harjumaa

| | | |
|-----------|----------------|---------------|
| MATERIAL: | metal, plastic | A4 |
| WEIGHT: | SCALE: 1:20 | SHEET 3 OF 10 |

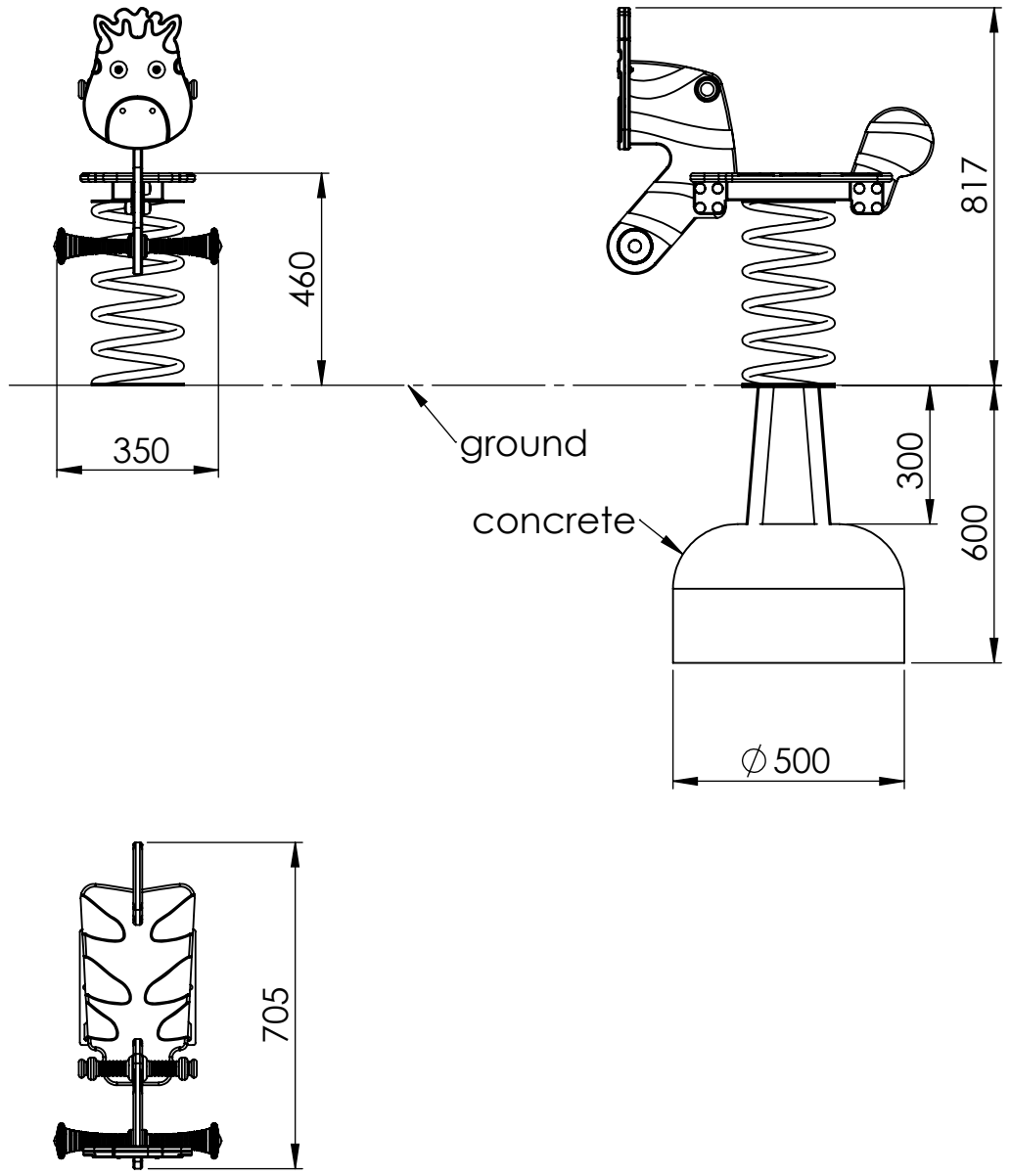
A

B

C

D

E



UNLESS OTHERWISE SPECIFIED:
 DIMENSIONS ARE IN MILLIMETERS
 WEIGHT ARE IN KILOGRAMM

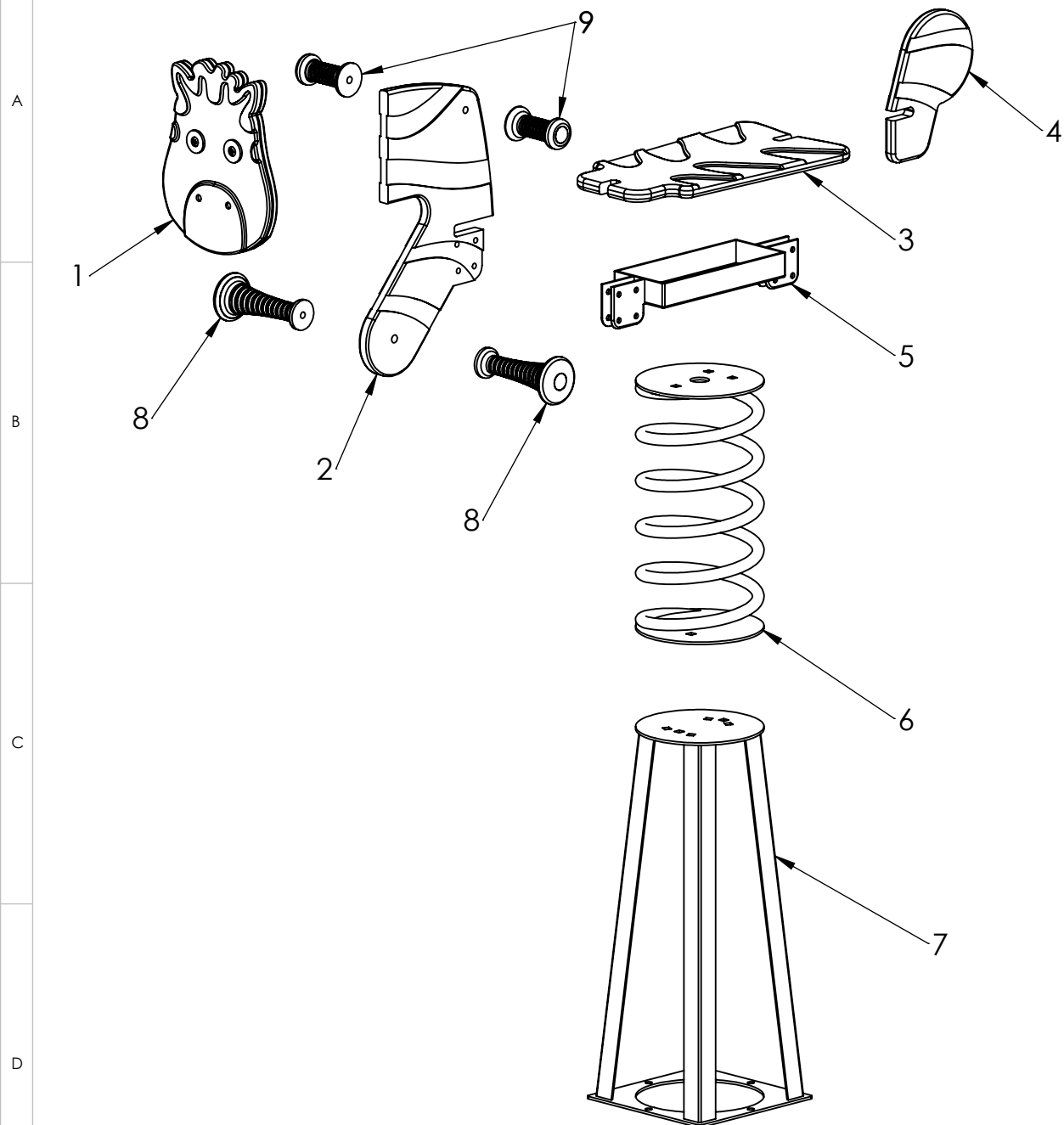
PART NUMBER / DWG NO.: **VLO51**

| | NAME | SIGNATURE | DATE | REVISION |
|--------|------------|-----------|------------|----------|
| DRAWN | E.Reispere | | 01.02.2022 | |
| APPV'D | | | | |

DESCRIPTION:
Spring swing ZEBRA

 **Tiptiptap** OÜ
 Veetorni 9,
 Jüri alevik, Rae vald,
 75301 Harjumaa

| | | |
|-----------|----------------|---------------|
| MATERIAL: | metal, plastic | A4 |
| WEIGHT: | SCALE: 1:16 | SHEET 4 OF 10 |



| ITEM NO. | PART NUMBER | DESCRIPTION |
|----------|-------------------------|------------------|
| 1 | VL051 head | HDPE plastic |
| 2 | VL051 support frame | HDPE plastic |
| 3 | VL051 seat | HDPE plastic |
| 4 | tail for spring swing | plastic |
| 5 | central console | painted steel |
| 6 | spring with spring disk | painted steel |
| 7 | ground fixing | galvanized steel |
| 8 | leg support new | PE plastic |
| 9 | handle new | PE plastic |

UNLESS OTHERWISE SPECIFIED:
DIMENSIONS ARE IN MILLIMETERS
WEIGHT ARE IN KILOGRAMM

PART NUMBER / DWG NO.:

VLO51

| | NAME | SIGNATURE | DATE | REVISION |
|--------|------------|-----------|------------|----------|
| DRAWN | E.Reispere | | 01.02.2022 | |
| APPV'D | | | | |

DESCRIPTION:

Spring swing ZEBRA

MATERIAL:

metal, plastic

A4

WEIGHT:

SCALE: 1:20

SHEET 5 OF 10



Tiptiptap OÜ

Tiptiptap OÜ
Veetorni 9,
Jüri alevik, Rae vald,
75301 Harjumaa

A

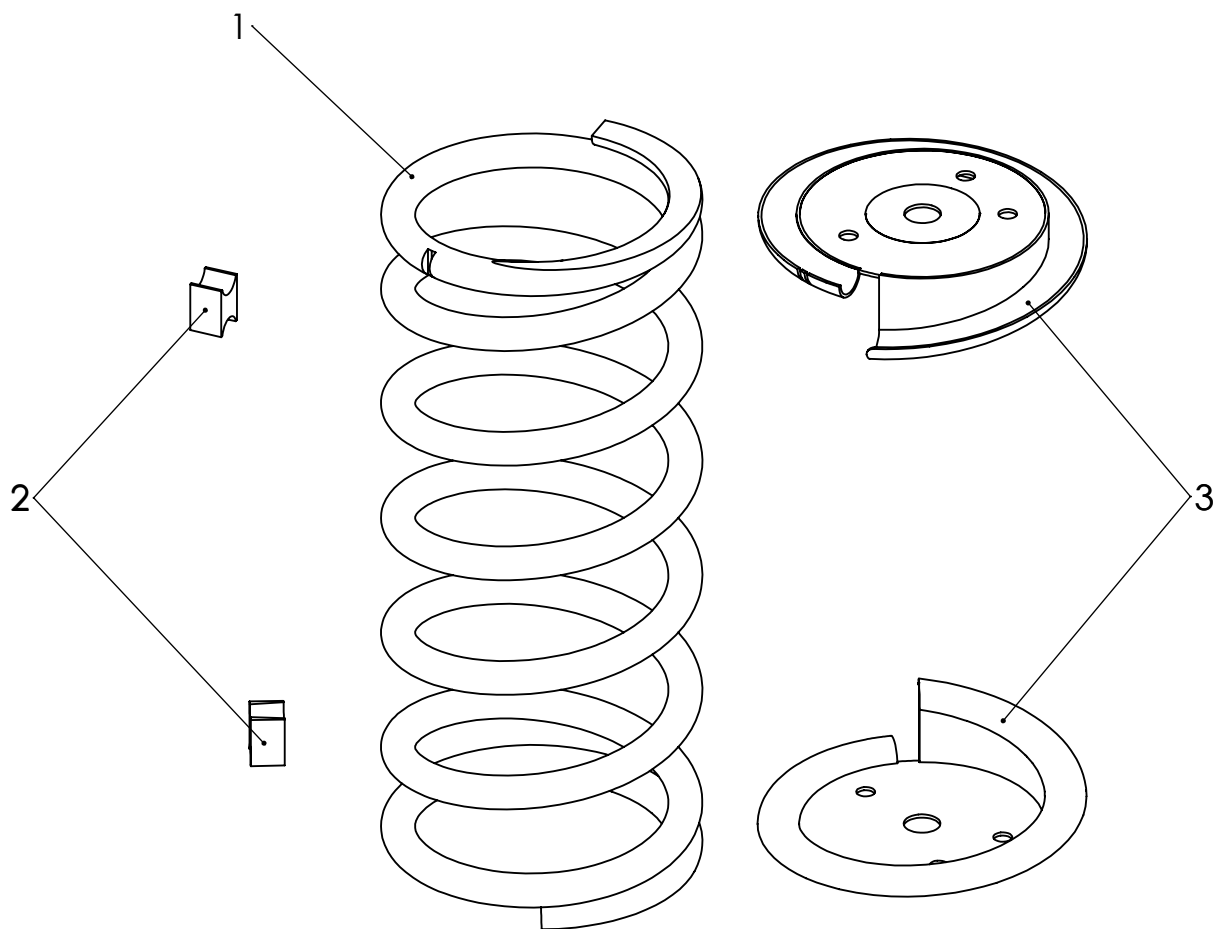
B

C

D

E

F



| ITEM NO. | PART NUMBER | DESCRIPTION | QTY. |
|----------|----------------|---------------|------|
| 1 | spring | painted steel | 1 |
| 2 | distance block | HP plastic | 2 |
| 3 | spring plate | painted steel | 2 |

UNLESS OTHERWISE SPECIFIED:
DIMENSIONS ARE IN MILLIMETERS
WEIGHT ARE IN KILOGRAMM

PART NUMBER / DWG NO.:

VLO51

| | NAME | SIGNATURE | DATE | REVISION |
|--------|------------|-----------|------------|----------|
| DRAWN | E.Reispere | | 01.02.2022 | |
| APPV'D | | | | |

DESCRIPTION:

Spring swing ZEBRA

MATERIAL:

metal, plastic

A4

WEIGHT:

SCALE: 1:4

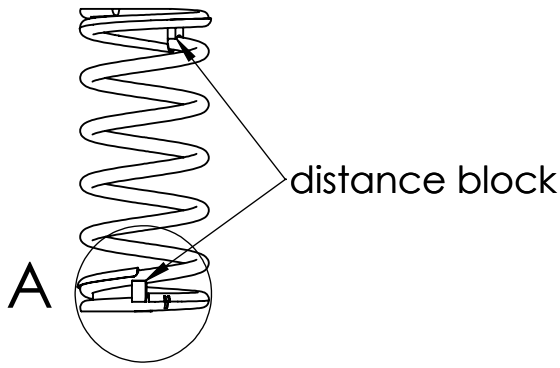
SHEET 6 OF 10



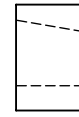
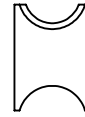
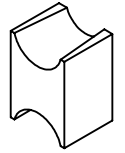
Tiptiptap OÜ

Tiptiptap OÜ
Veetorni 9,
Jüri alevik, Rae vald,
75301 Harjumaa

A



view 1

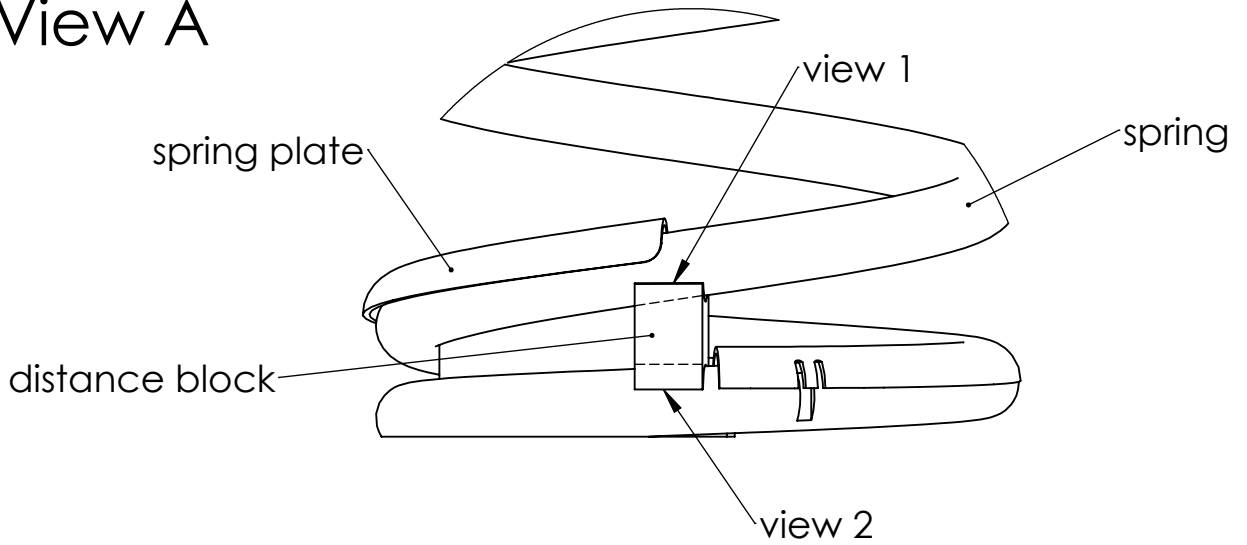


view 2

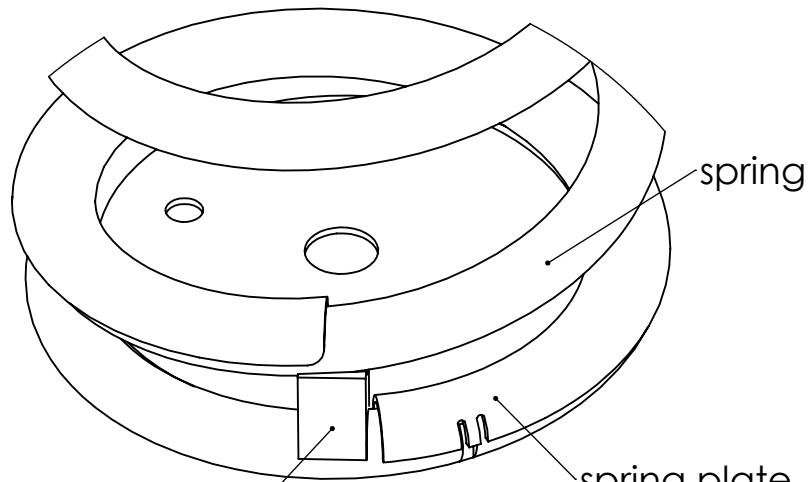
B

View A

C



D



E

F

UNLESS OTHERWISE SPECIFIED:
DIMENSIONS ARE IN MILLIMETERS
WEIGHT ARE IN KILOGRAMM

PART NUMBER / DWG NO.:

VLO51

| | NAME | SIGNATURE | DATE | REVISION |
|--------|------------|-----------|------------|----------|
| DRAWN | E.Reispere | | 01.02.2022 | |
| APPV'D | | | | |

DESCRIPTION:

Spring swing ZEBRA



Tiptiptap OÜ

Tiptiptap OÜ
Veetorni 9,
Jüri alevik, Rae vald,
75301 Harjumaa

MATERIAL:

metal, plastic

A4

WEIGHT:

SCALE: 1:4

SHEET 7 OF 10

A

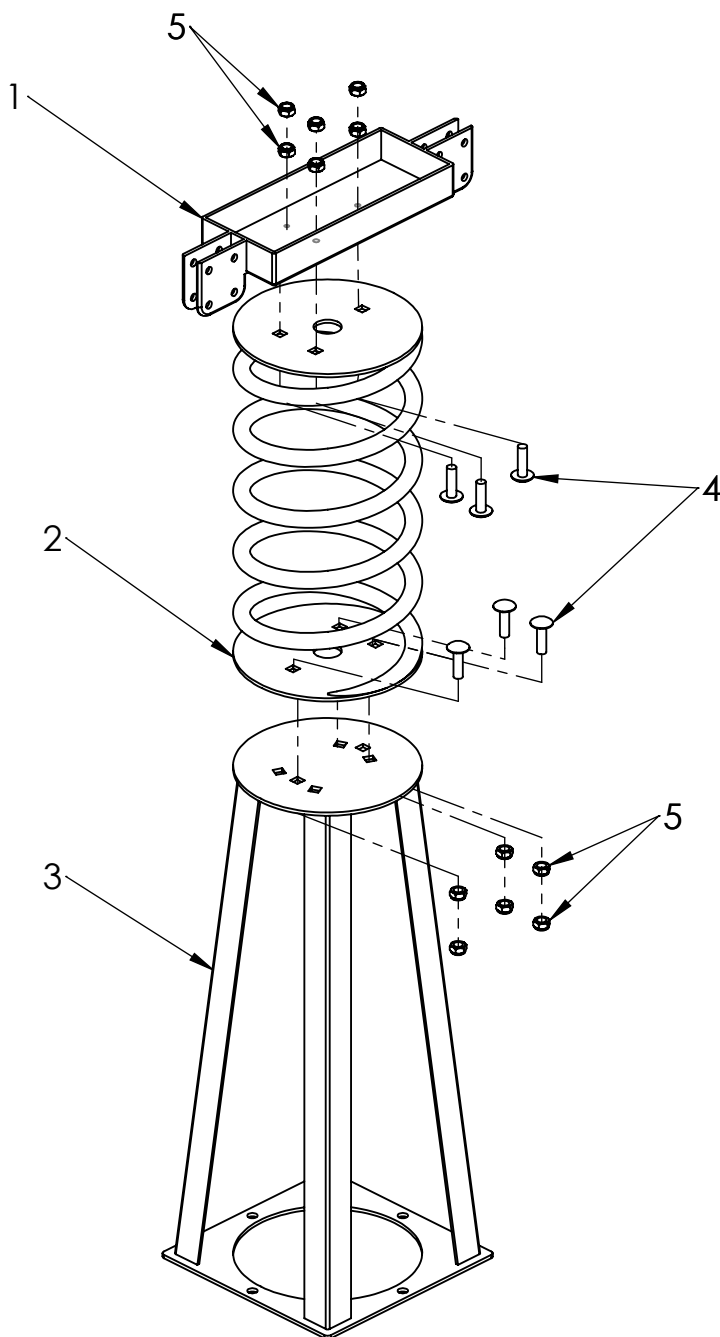
B

C

D

E

F



| ITEM NO. | PART NUMBER | DESCRIPTION |
|----------|-------------------------|------------------|
| 1 | central console | painted steel |
| 2 | spring with spring disk | painted steel |
| 3 | ground fixing | galvanized steel |
| 4 | bolt DIN603 M10x35 | stainless steel |
| 5 | nut DIN985 M10 | stainless steel |

UNLESS OTHERWISE SPECIFIED:
DIMENSIONS ARE IN MILLIMETERS
WEIGHT ARE IN KILOGRAMM

PART NUMBER / DWG NO.:

VLO51

| | NAME | SIGNATURE | DATE | REVISION |
|--------|------------|-----------|------------|----------|
| DRAWN | E.Reispere | | 01.02.2022 | |
| APPV'D | | | | |

DESCRIPTION:

Spring swing ZEBRA

MATERIAL:

metal, plastic

A4

WEIGHT:

SCALE: 1:10

SHEET 8 OF 10



Tiptiptap OÜ

Tiptiptap OÜ
Veetorni 9,
Jüri alevik, Rae vald,
75301 Harjumaa

A

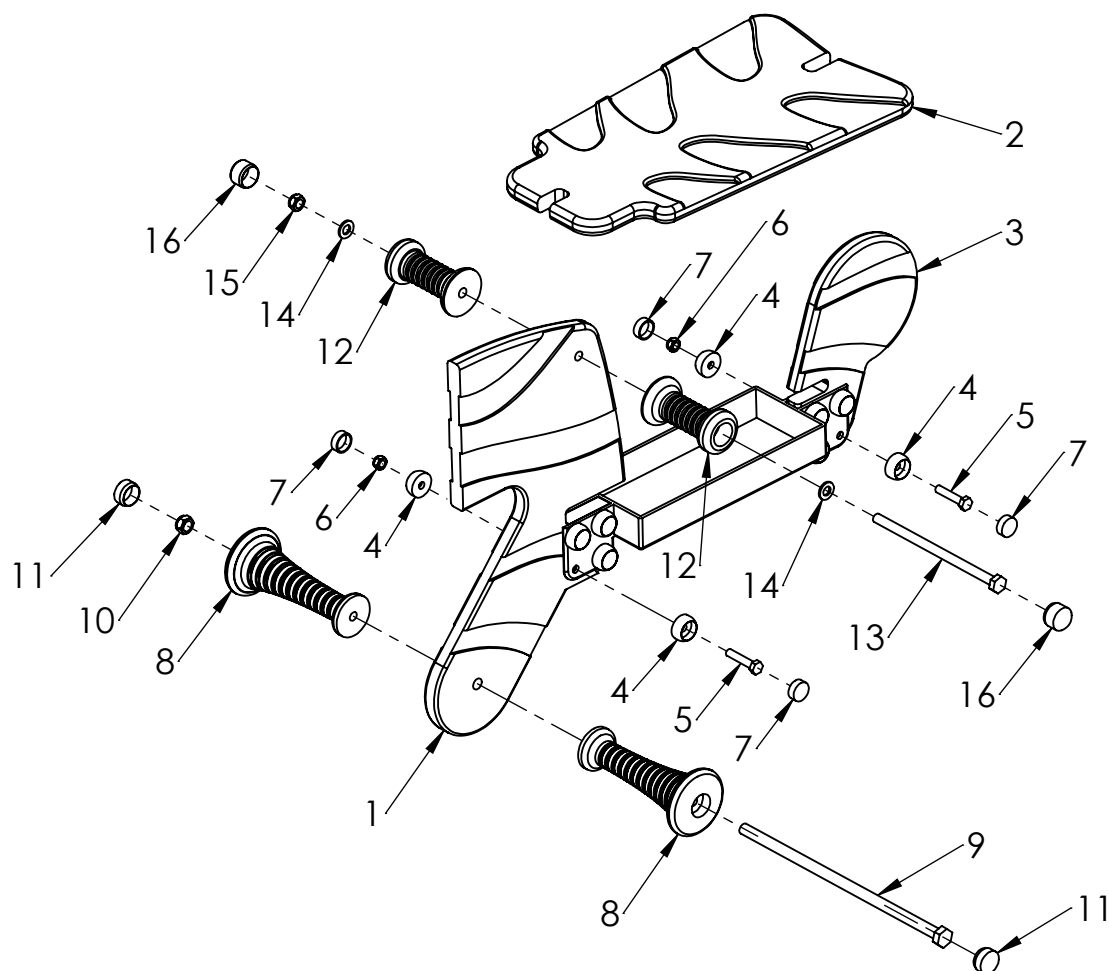
B

C

D

E

F



| ITEM NO. | PART NUMBER | DESCRIPTION |
|----------|---------------------------|------------------|
| 1 | VL051 support frame | HDPE plastic |
| 2 | VL051 seat | HDPE plastic |
| 3 | tail for spring swing | plastic |
| 4 | nut cover M8 | HDPE plastic |
| 5 | bolt DIN933 M8x40 | stainless steel |
| 6 | nut DIN985 M8 | stainless steel |
| 7 | nut cover cap M8 | HDPE plastic |
| 8 | leg support n | PE plastic |
| 9 | bolt M12x305 DIN931 | stainless steel |
| 10 | nut DIN985 M12 | galvanized steel |
| 11 | leg support new cover cup | PE plastic |
| 12 | handle new | PE plastic |
| 13 | bolt M10x185 DIN931 | stainless steel |
| 14 | washer M10 DIN125 | stainless steel |
| 15 | nut DIN985 M10 | stainless steel |
| 16 | handle new cup | PE plastic |

UNLESS OTHERWISE SPECIFIED:
DIMENSIONS ARE IN MILLIMETERS
WEIGHT ARE IN KILOGRAMM

PART NUMBER / DWG NO.:

VLO51

| | NAME | SIGNATURE | DATE | REVISION |
|--------|------------|-----------|------------|----------|
| DRAWN | E.Reispere | | 01.02.2022 | |
| APPV'D | | | | |

DESCRIPTION:

Spring swing ZEBRA

MATERIAL:

metal, plastic

A4

WEIGHT:

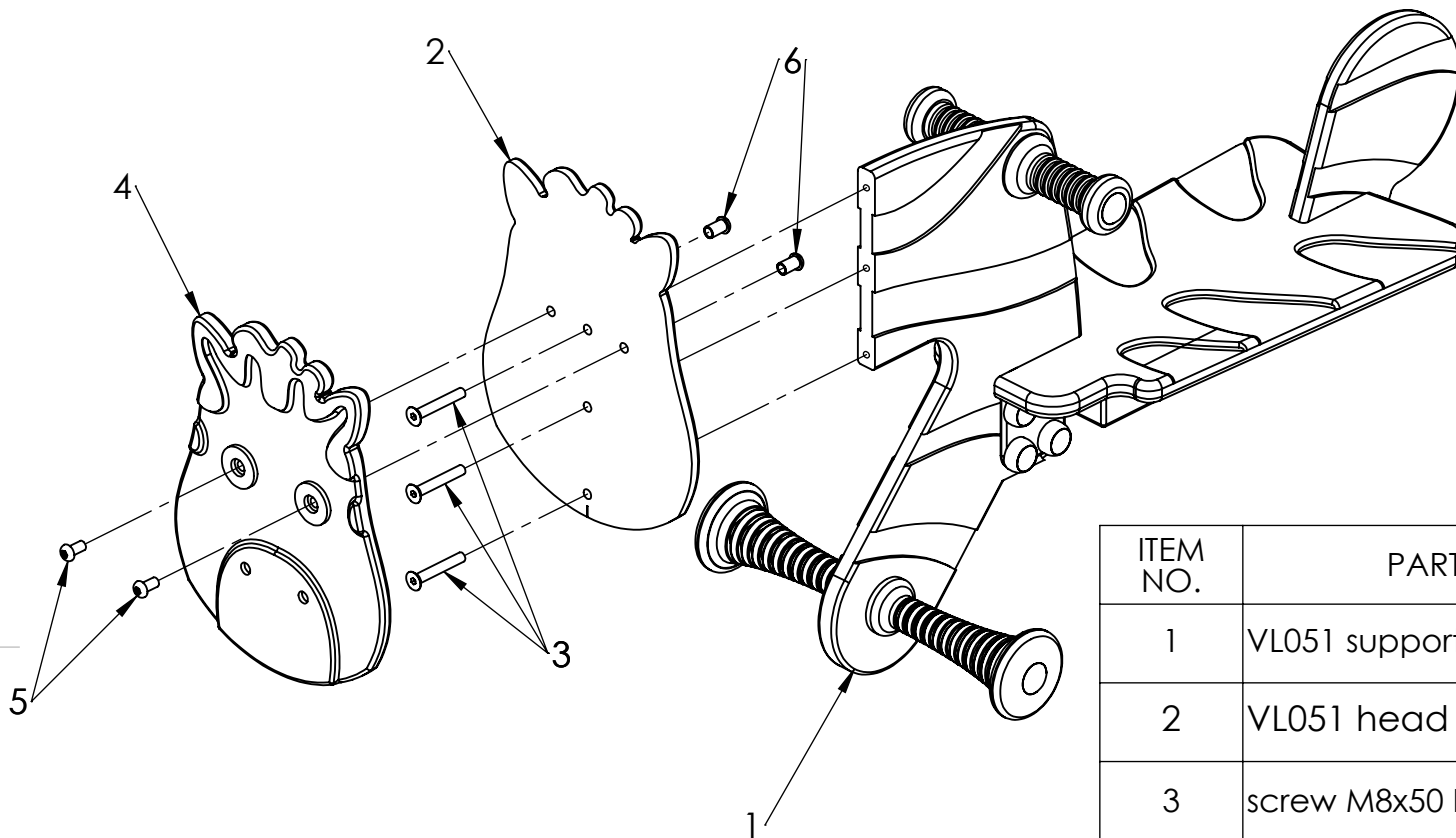
SCALE: 1:20

SHEET 9 OF 10



Tiptiptap OÜ

Tiptiptap OÜ
Veetorni 9,
Jüri alevik, Rae vald,
75301 Harjumaa



| ITEM NO. | PART NUMBER | DESCRIPTION |
|----------|----------------------------|-----------------|
| 1 | VL051 support frame | HDPE plastic |
| 2 | VL051 head support | HDPE plastic |
| 3 | screw M8x50 DIN7991 | stainless steel |
| 4 | VL051 head | HDPE plastic |
| 5 | safety bolt M8x16 art 9121 | stainless steel |
| 6 | safety nut M8 art 9121 | stainless steel |

UNLESS OTHERWISE SPECIFIED:
DIMENSIONS ARE IN MILLIMETERS
WEIGHT ARE IN KILOGRAMM

PART NUMBER / DWG NO.:

VLO51

| | NAME | SIGNATURE | DATE | REVISION |
|--------|------------|-----------|------------|----------|
| DRAWN | E.Reispere | | 01.02.2022 | |
| APPV'D | | | | |

DESCRIPTION:

Spring swing ZEBRA

MATERIAL:

metal, plastic

A4

WEIGHT:

SCALE: 1:20

SHEET 10 OF 10



Tiptaptap OÜ

Tiptaptap OÜ
Veetorni 9,
Jüri alevik, Rae vald,
75301 Harjumaa