

A

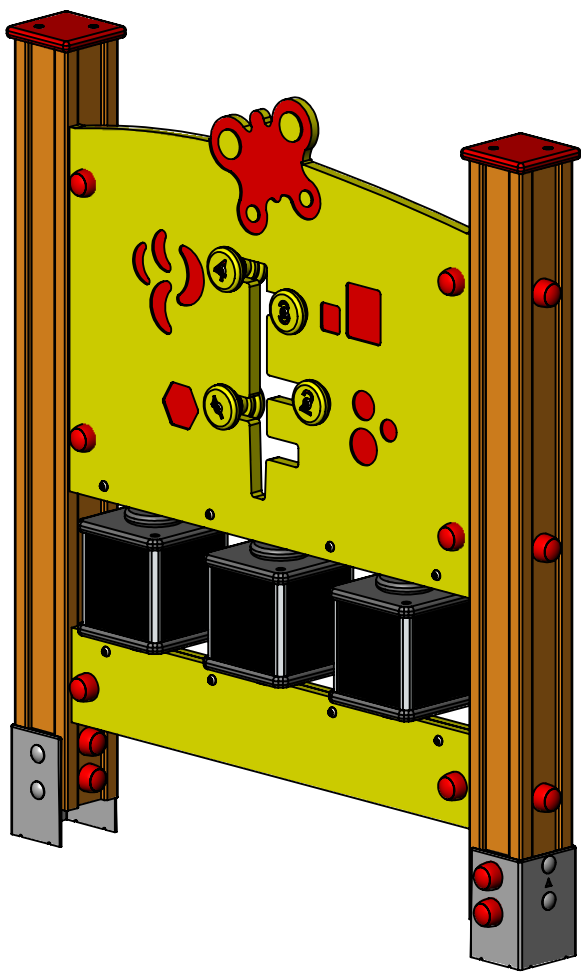
B

C

D

E

F



UNLESS OTHERWISE SPECIFIED:  
 DIMENSIONS ARE IN MILLIMETERS  
 WEIGHT ARE IN KILOGRAMM

PART NUMBER / DWG NO.: **AW02S**

	NAME	SIGNATURE	DATE	REVISION
DRAWN	I.Agar		27.09.2022	
APPV'D				

DESCRIPTION:  
**Activity wall Shapes**



MATERIAL:	wood, metal, plastic	A4
WEIGHT:	SCALE: 1:10	SHEET 1 OF 10



Foundation

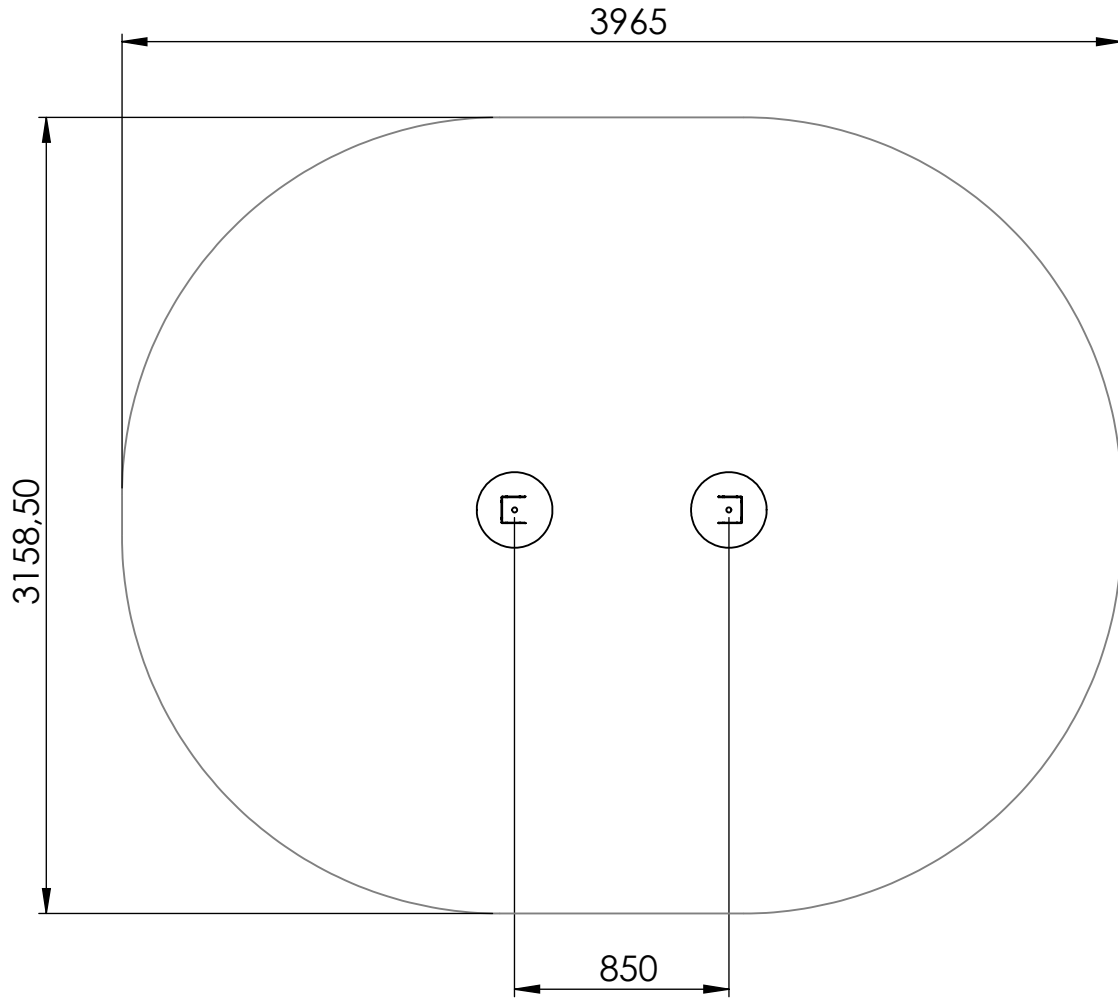
A

B

C

D

E



Depth of foundation: 600mm

UNLESS OTHERWISE SPECIFIED:  
DIMENSIONS ARE IN MILLIMETERS  
WEIGHT ARE IN KILOGRAMM

PART NUMBER / DWG NO.:

AW02S

	NAME	SIGNATURE	DATE	REVISION
DRAWN	I.Agar		27.09.2022	
APPV'D				

DESCRIPTION:

Activity wall Shapes

F



Tiptiptap<sup>00</sup>

MATERIAL:

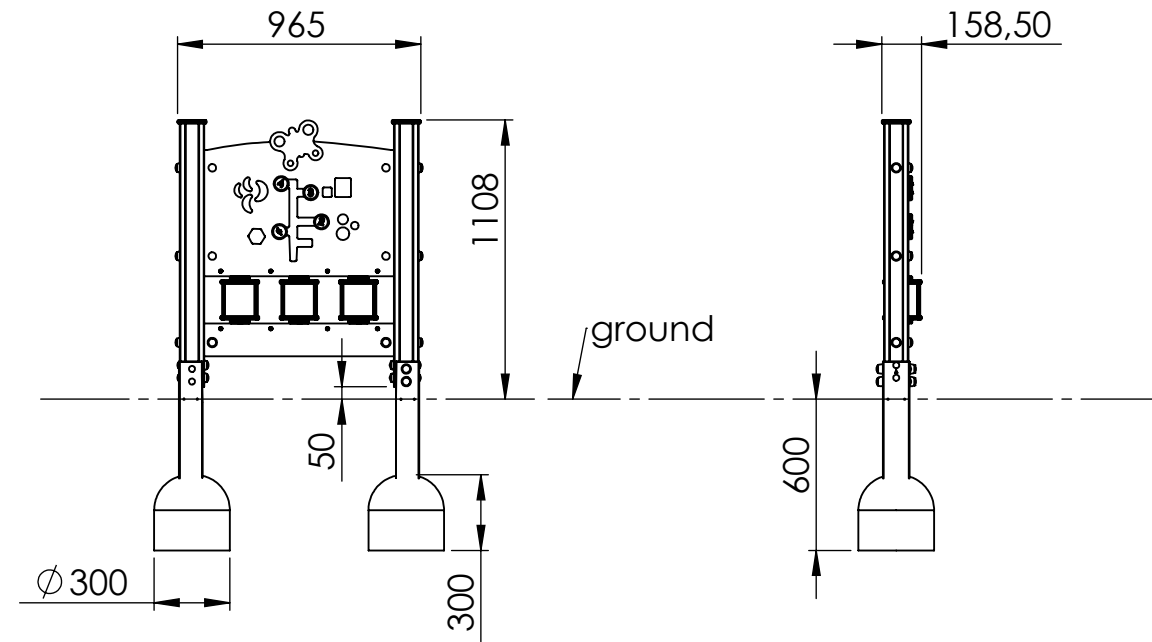
wood, metal, plastic

A4

WEIGHT:

SCALE: 1:30

SHEET 3 OF 10



UNLESS OTHERWISE SPECIFIED:  
DIMENSIONS ARE IN MILLIMETERS  
WEIGHT ARE IN KILOGRAMM

PART NUMBER / DWG NO.:

AW02S

	NAME	SIGNATURE	DATE	REVISION
DRAWN	I.Agar		27.09.2022	
APPV'D				

DESCRIPTION:

Activity wall Shapes



Tiptiptap OÜ

MATERIAL:

wood, metal, plastic

A4

WEIGHT:

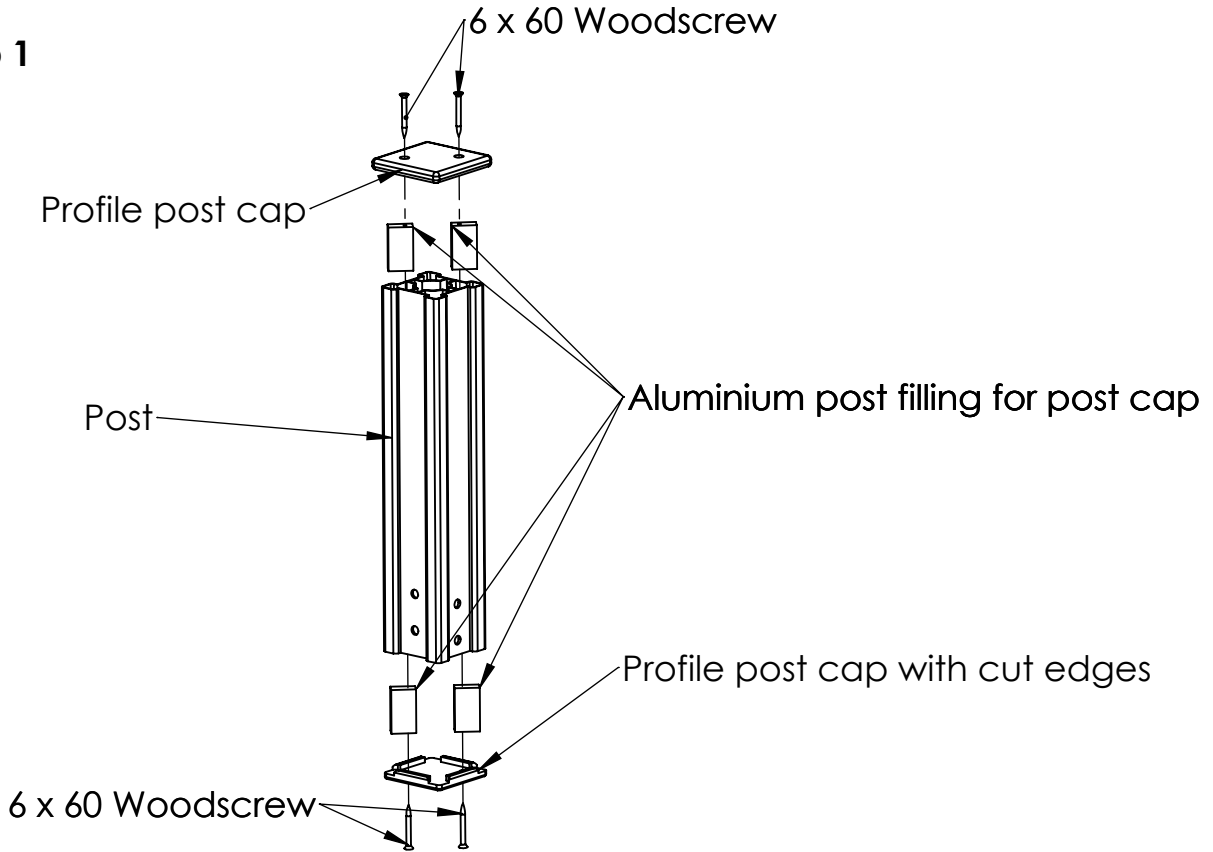
SCALE: 1:30

SHEET 4 OF 10

# Aluminium profile post cap and 750mm U-profile groundfixing assembly

A

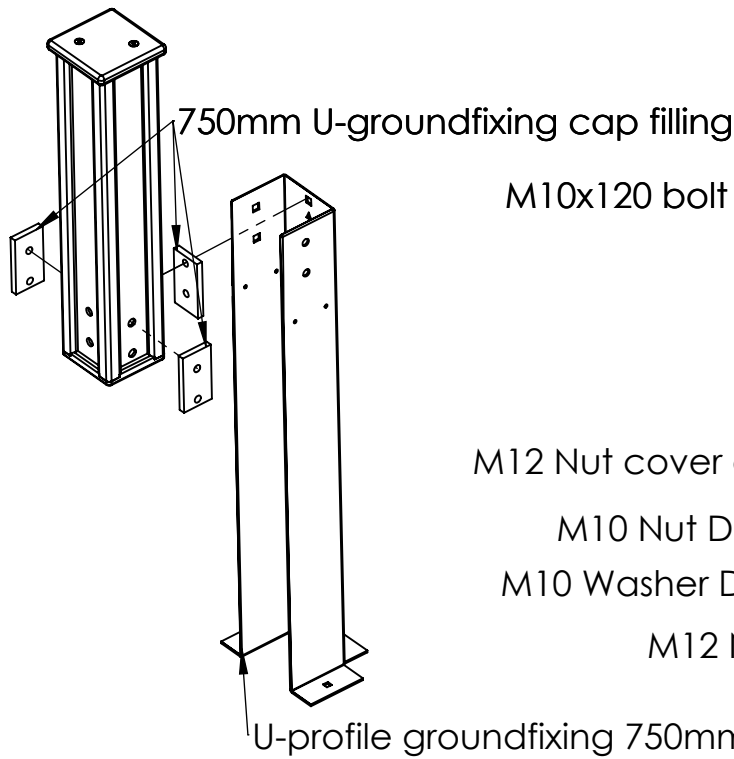
## Step 1



B

C

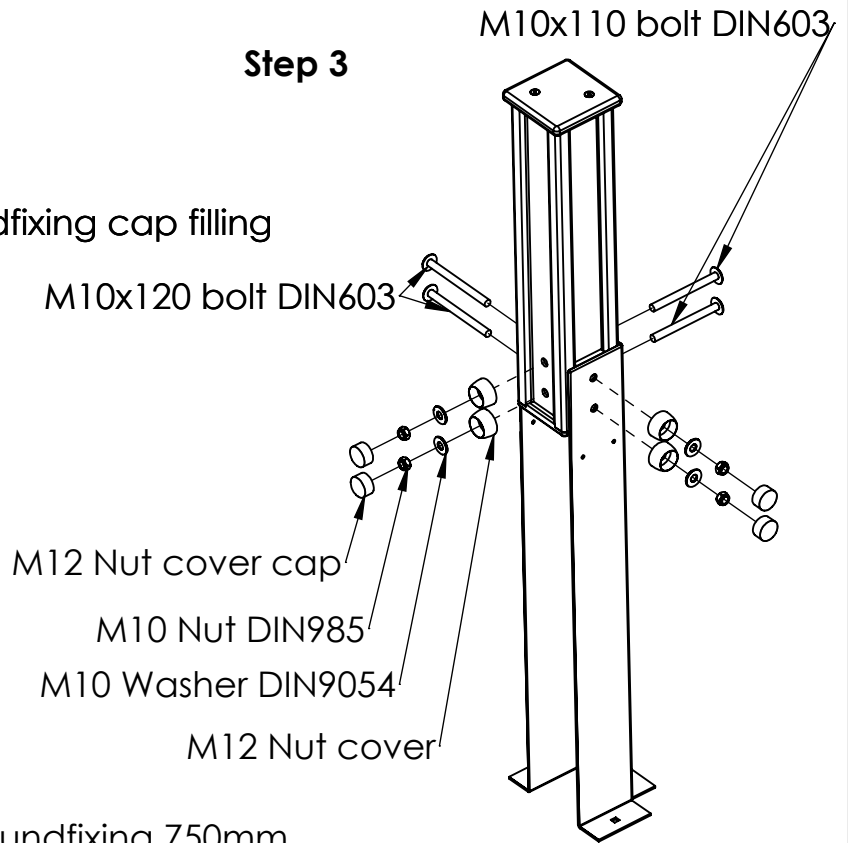
## Step 2



D

E

## Step 3



F

UNLESS OTHERWISE SPECIFIED:  
DIMENSIONS ARE IN MILLIMETERS  
WEIGHT ARE IN KILOGRAMM

PART NUMBER / DWG NO.:

AW02S

	NAME	SIGNATURE	DATE	REVISION
DRAWN	I.Agar		27.09.2022	
APPV'D				

DESCRIPTION:

Activity wall Shapes

MATERIAL:

wood, metal, plastic

A4

WEIGHT:

SCALE: 1:10

SHEET 5 OF 10



Tiptap OÜ

# Wood profile post cap and 750mm U-profile groundfixing assembly

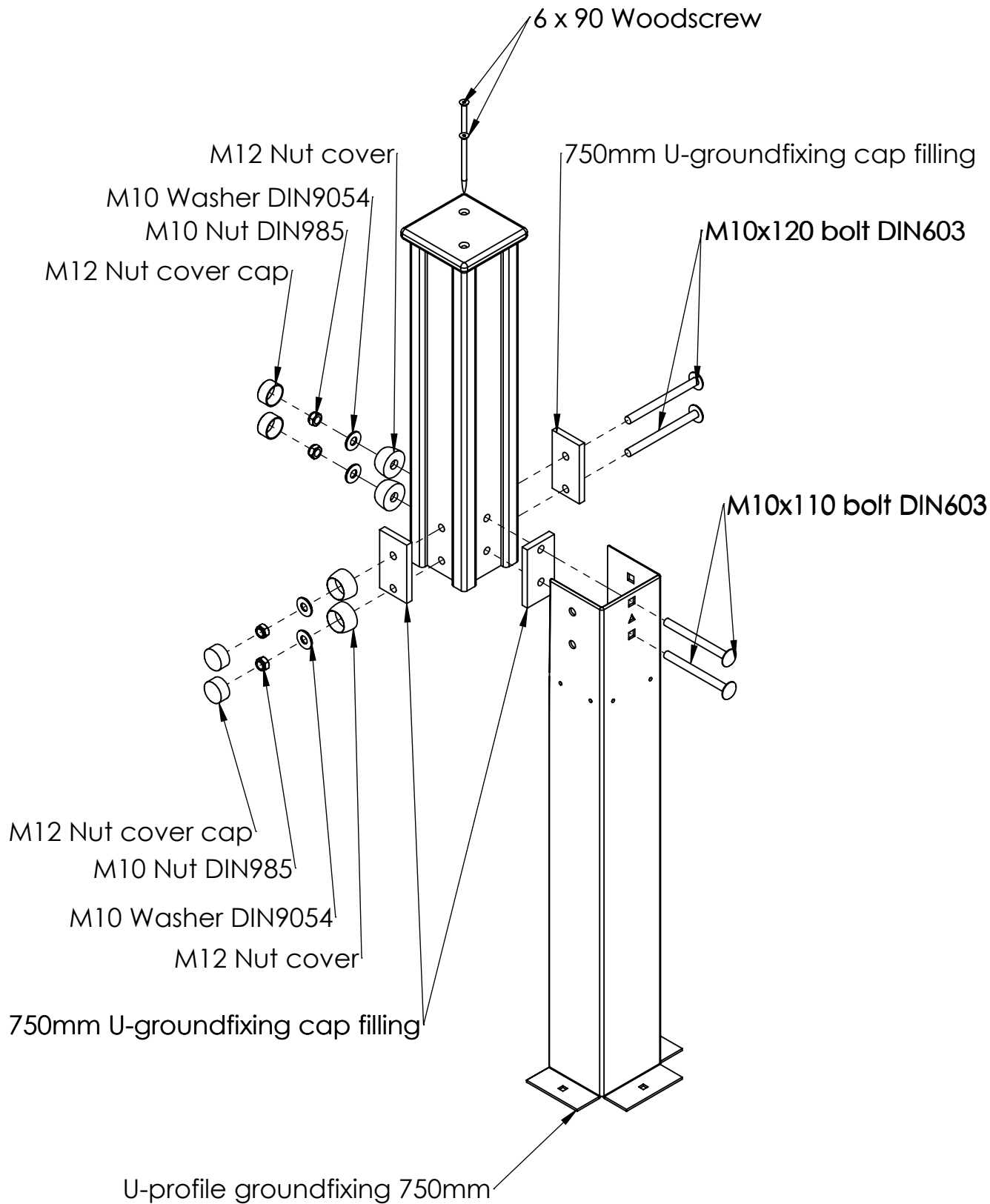
A

B

C

D

E



UNLESS OTHERWISE SPECIFIED:  
DIMENSIONS ARE IN MILLIMETERS  
WEIGHT ARE IN KILOGRAMM

PART NUMBER / DWG NO.:

AW02S

	NAME	SIGNATURE	DATE	REVISION
DRAWN	I.Agar		27.09.2022	
APPV'D				

DESCRIPTION:

Activity wall Shapes

MATERIAL:

wood, metal, plastic

A4

WEIGHT:

SCALE: 1:7

SHEET 6 OF 10



Tiptap OÜ

# Panel to post assembly

A

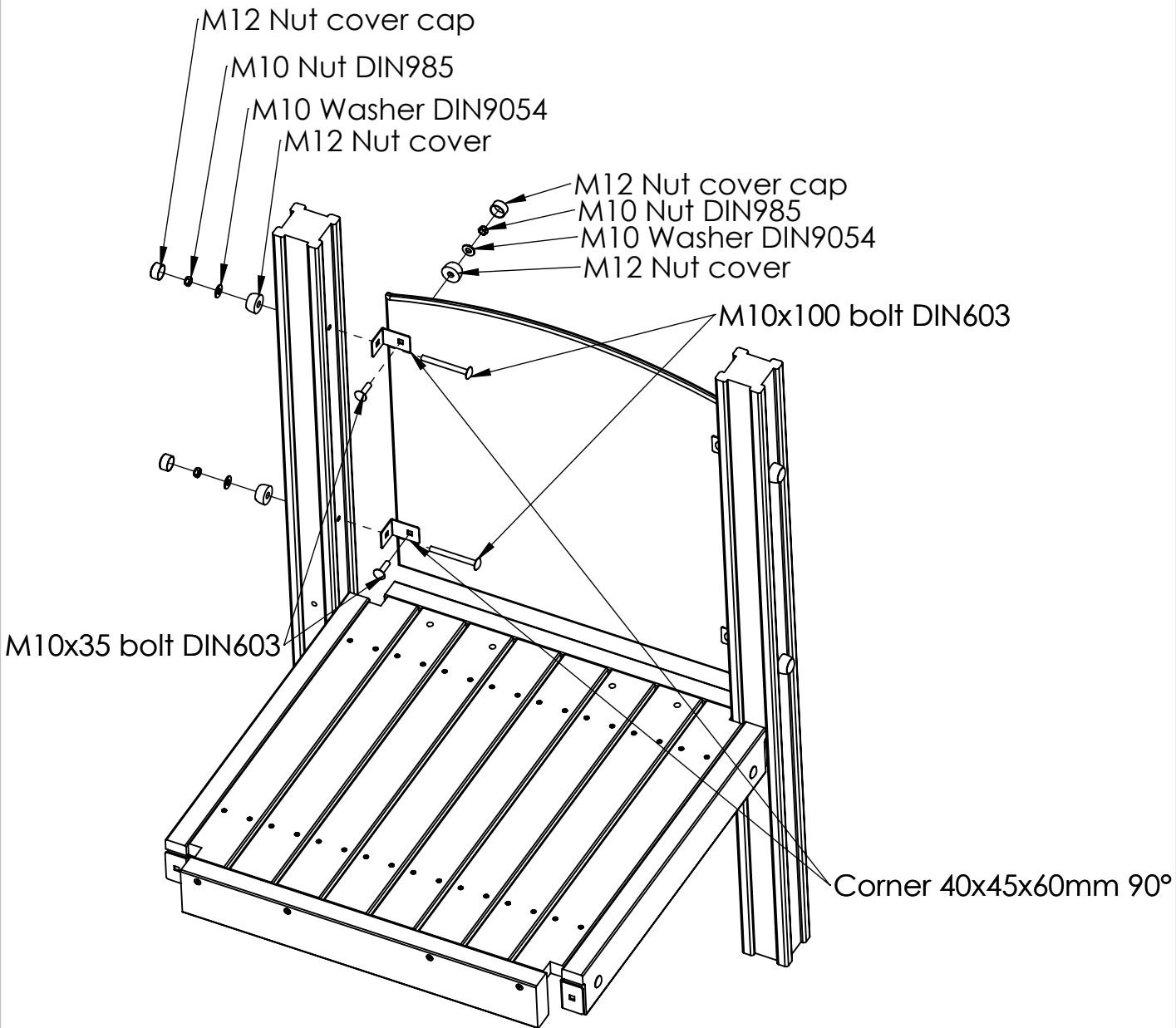
B

C

D

E

F



UNLESS OTHERWISE SPECIFIED:  
 DIMENSIONS ARE IN MILLIMETERS  
 WEIGHT ARE IN KILOGRAMM

PART NUMBER / DWG NO.: **AW02S**

	NAME	SIGNATURE	DATE	REVISION
DRAWN	I.Agar		27.09.2022	
APPV'D				

DESCRIPTION:  
**Activity wall Shapes**



MATERIAL:	wood, metal, plastic	A4
WEIGHT:	SCALE: 1:12	SHEET 7 OF 10

A

B

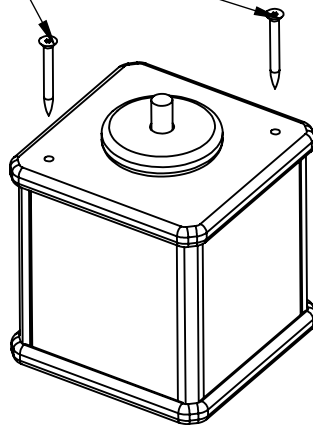
C

D

E

F

6 x 60 Woodscrew



UNLESS OTHERWISE SPECIFIED:  
 DIMENSIONS ARE IN MILLIMETERS  
 WEIGHT ARE IN KILOGRAMM

PART NUMBER / DWG NO.:

AW02S

	NAME	SIGNATURE	DATE	REVISION
DRAWN	I.Agar		27.09.2022	
APPV'D				

DESCRIPTION:

Activity wall Shapes



Tiptiptap<sup>00</sup>

MATERIAL:

wood, metal, plastic

A4

WEIGHT:

SCALE: 1:5

SHEET 8 OF 10

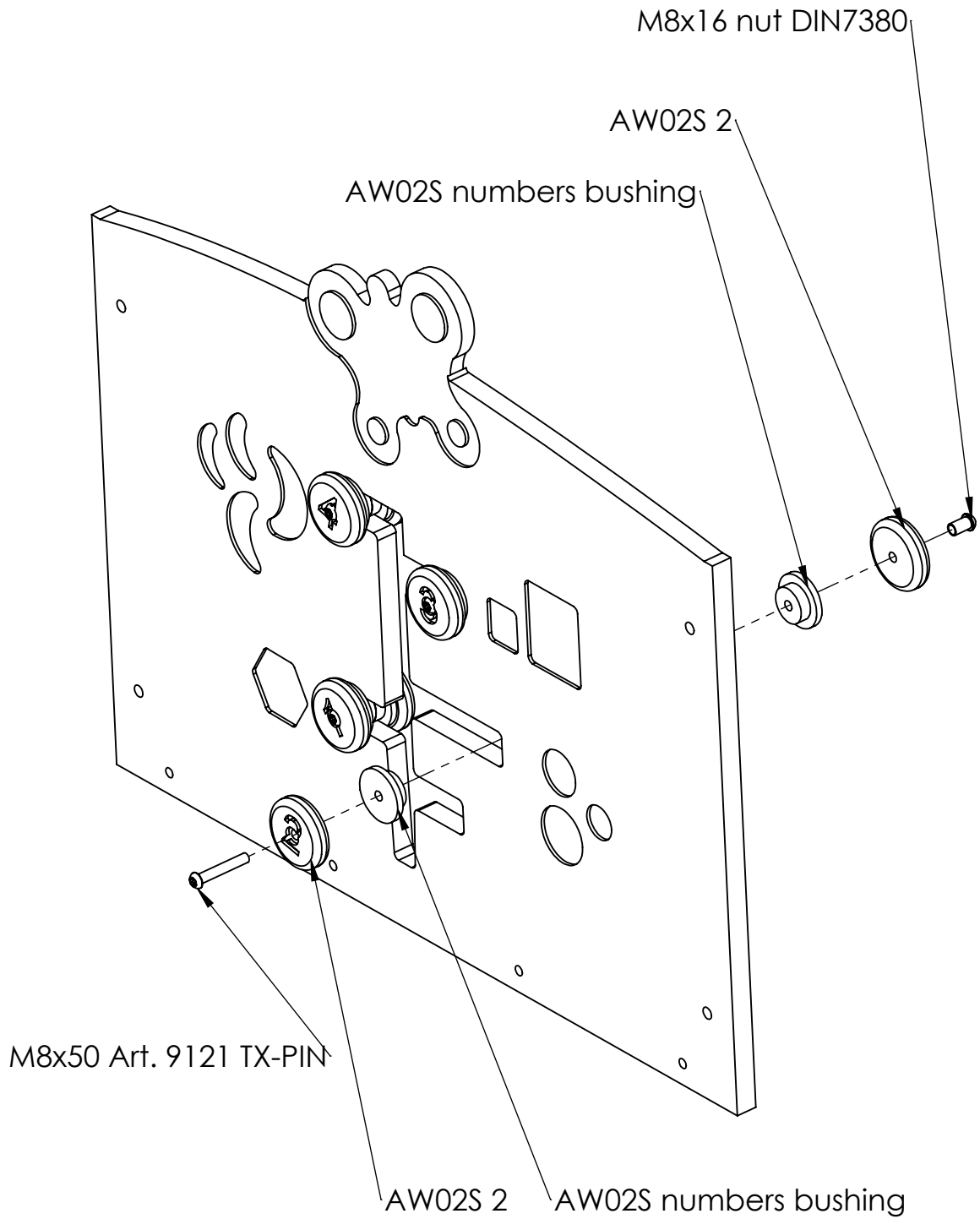
A

B

C

D

E



M8x50 Art. 9121 TX-PIN

M8x16 nut DIN7380

AW02S 2

AW02S numbers bushing

AW02S 2

AW02S numbers bushing

UNLESS OTHERWISE SPECIFIED:  
DIMENSIONS ARE IN MILLIMETERS  
WEIGHT ARE IN KILOGRAMM

PART NUMBER / DWG NO.:  
**AW02S**

	NAME	SIGNATURE	DATE	REVISION
DRAWN	I.Agar		27.09.2022	
APPV'D				

DESCRIPTION:  
**Activity wall Shapes**



MATERIAL:	wood, metal, plastic	A4
WEIGHT:	SCALE: 1:5	SHEET 9 OF 10

# DETAIL A SCALE 1 : 5

A

B

C

D

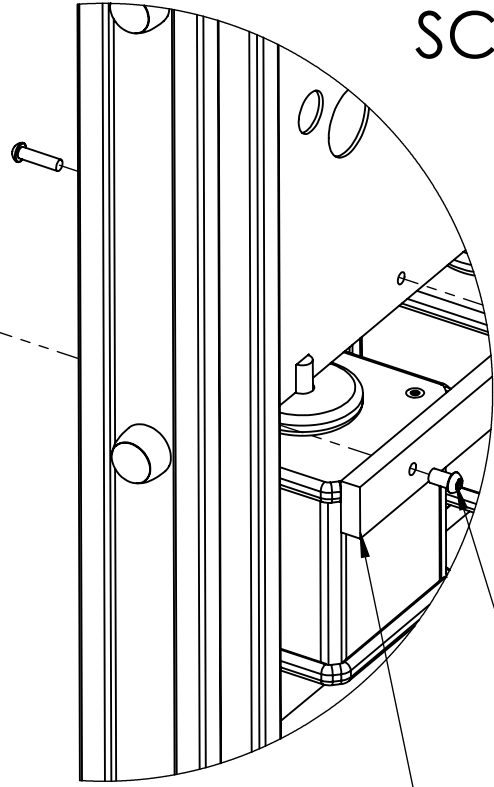
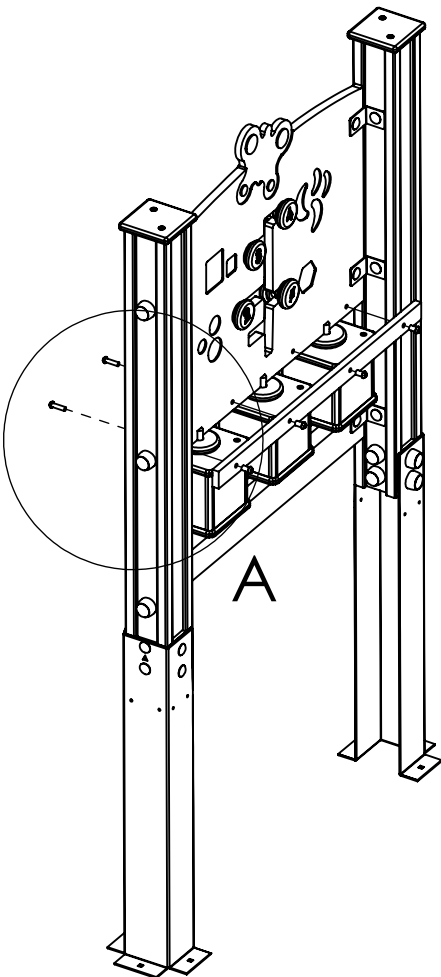
E

M8x30 Art. 9121 TX-PIN

M8x16 nut DIN7380

AW02S slat

A



UNLESS OTHERWISE SPECIFIED: DIMENSIONS ARE IN MILLIMETERS WEIGHT ARE IN KILOGRAMM				
	NAME	SIGNATURE	DATE	REVISION
DRAWN	I.Agar		27.09.2022	
APPV'D				

PART NUMBER / DWG NO.:	AW02S
DESCRIPTION:	Activity wall Shapes



MATERIAL:	wood, metal, plastic	A4
WEIGHT:	SCALE: 1:10	SHEET 10 OF 10