

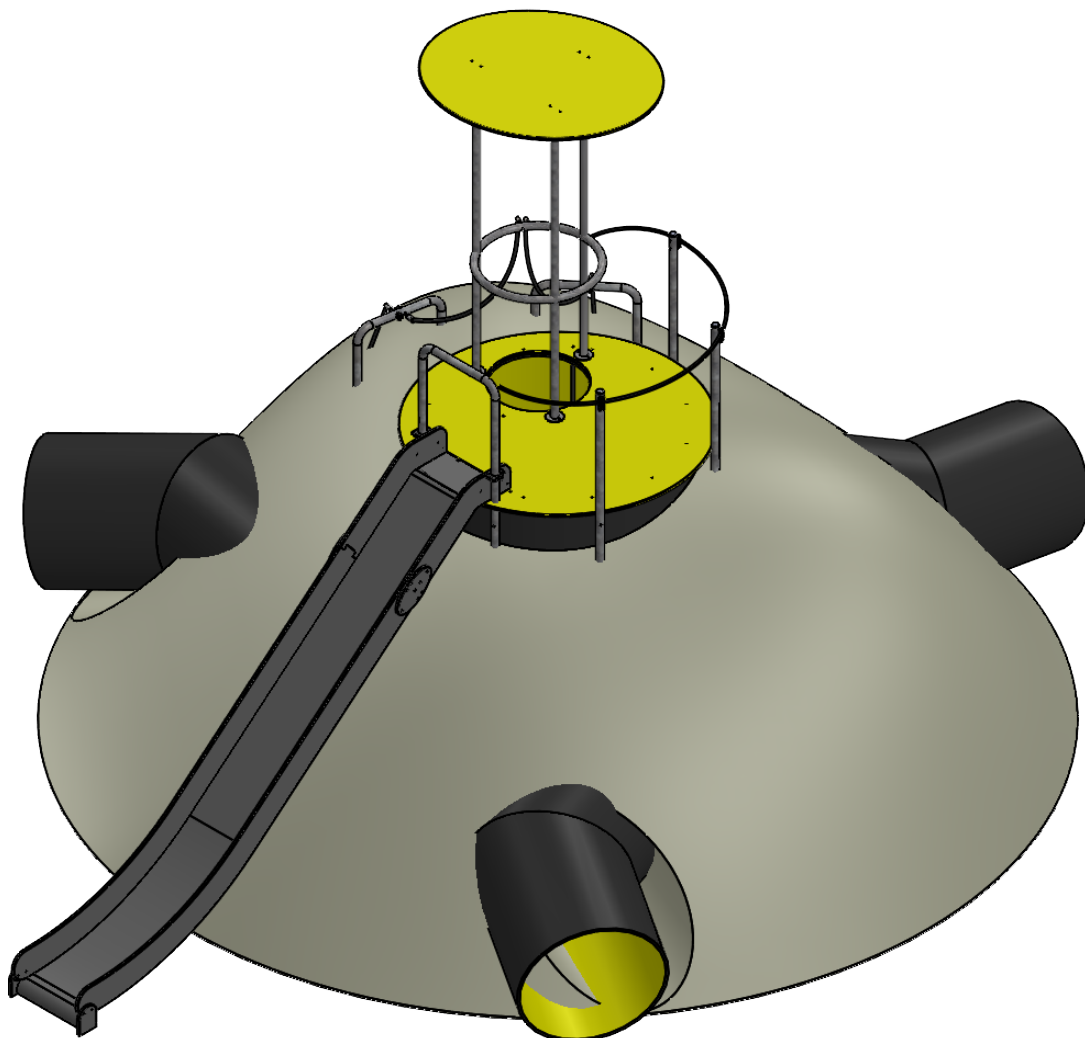
A

B

C

D

E



UNLESS OTHERWISE SPECIFIED:  
 DIMENSIONS ARE IN MILLIMETERS  
 WEIGHT ARE IN KILOGRAMM

	NAME	SIGNATURE	DATE
DRAWN	I.Agar		18/06/2025

Product code: **MM150**

DESCRIPTION: **Mole's mine**



**Tiptiptap** OÜ

WEIGHT:	SCALE: 1:40	A4
		SHEET 1 OF 5

F

Safety area

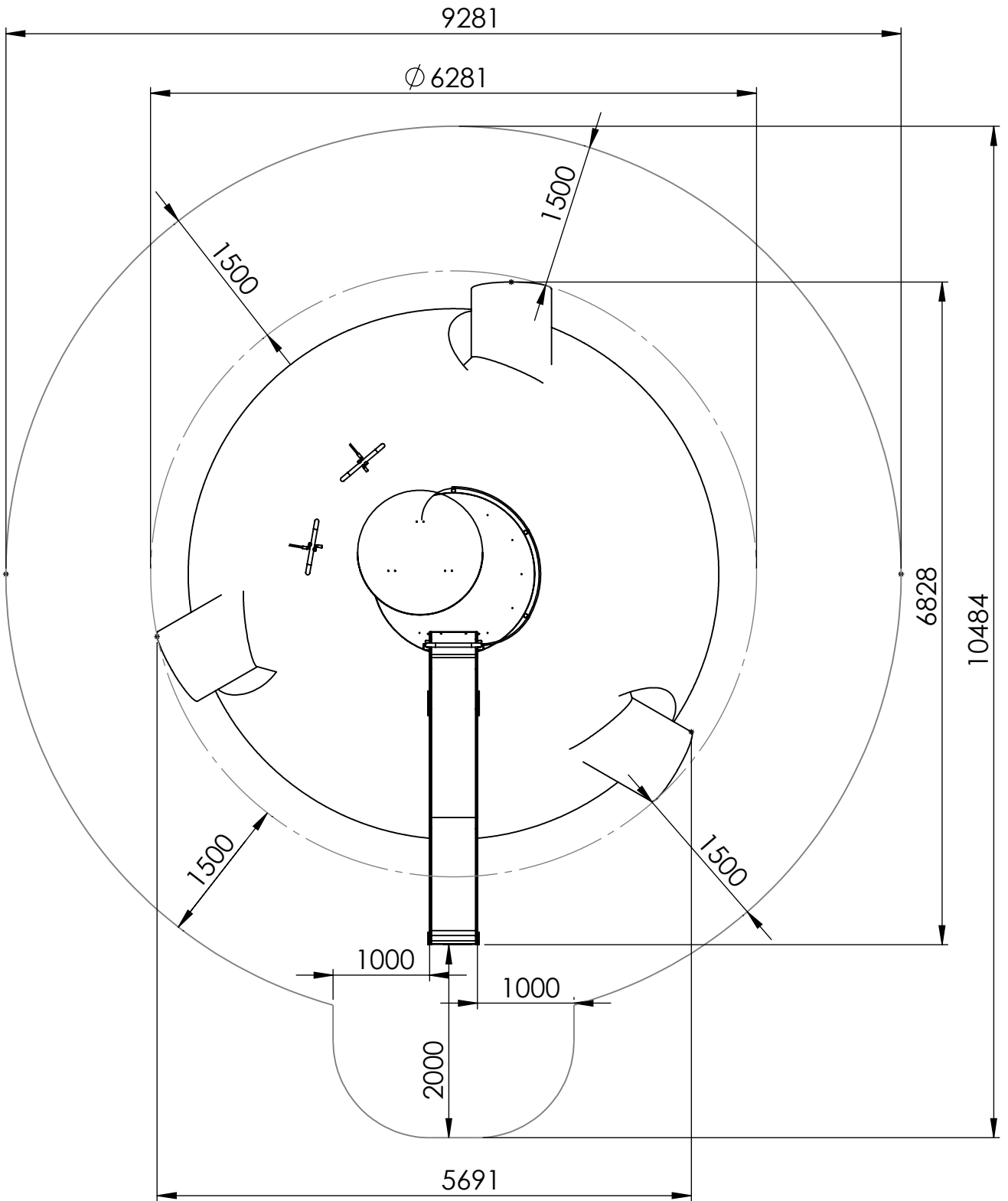
A

B

C

D

E



UNLESS OTHERWISE SPECIFIED:  
 DIMENSIONS ARE IN MILLIMETERS  
 WEIGHT ARE IN KILOGRAMM

Product code:

MM150

NAME

SIGNATURE

DATE

DRAWN

I.Agar

18/06/2025

DESCRIPTION:

Mole's mine

F



Tiptap <sup>ÖÜ</sup>

WEIGHT:

SCALE: 1:60

A4

SHEET 2 OF 5

1

2

3

4

A

B

C

D

E

9281

10484

3778

Depth of foundation: 600mm

UNLESS OTHERWISE SPECIFIED:  
DIMENSIONS ARE IN MILLIMETERS  
WEIGHT ARE IN KILOGRAMM

Product code:

MM150

NAME

SIGNATURE

DATE

DRAWN

I.Agar

18/06/2025

DESCRIPTION:

Mole's mine



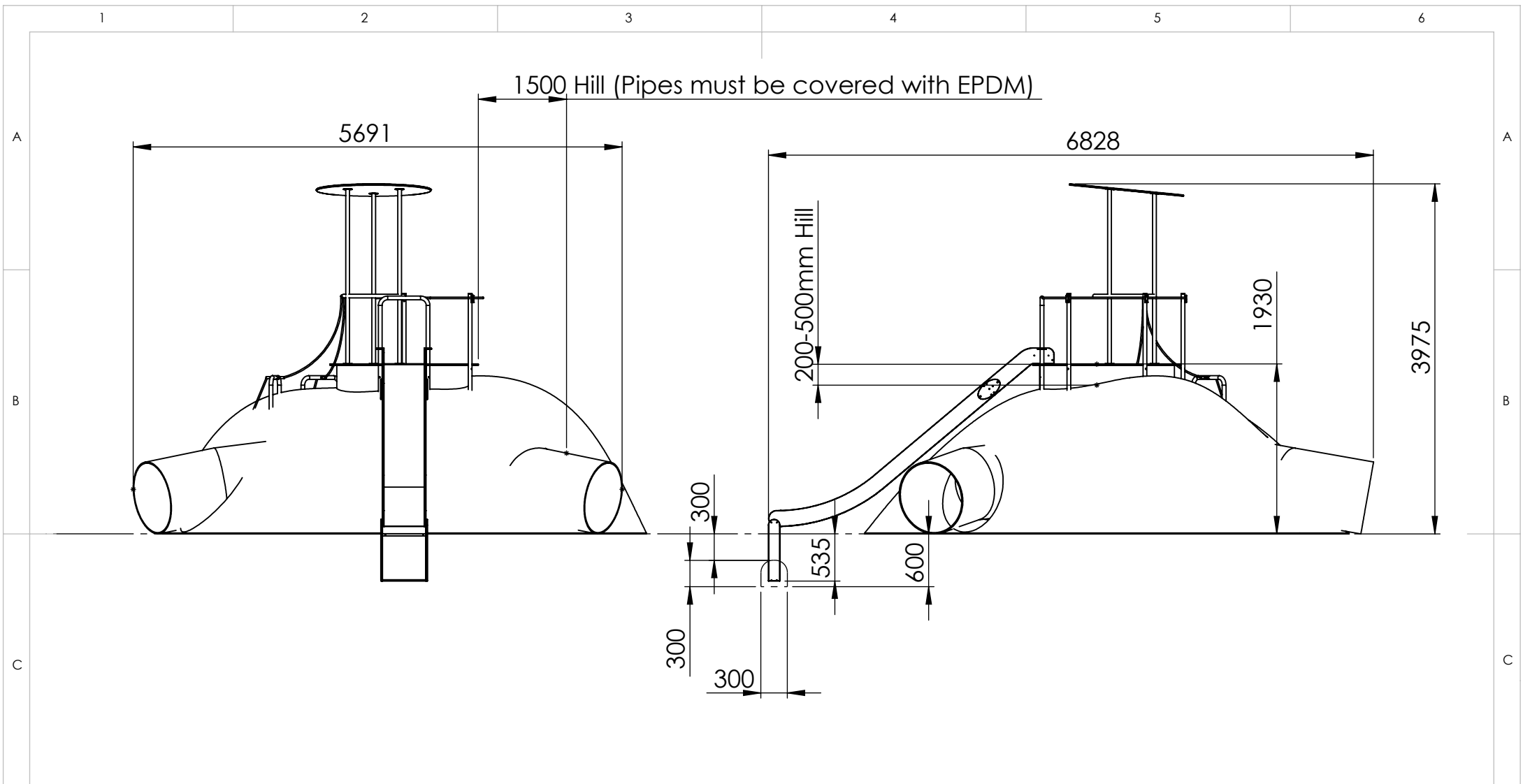
Tiptiptap<sup>ÖÜ</sup>

A4


WEIGHT:

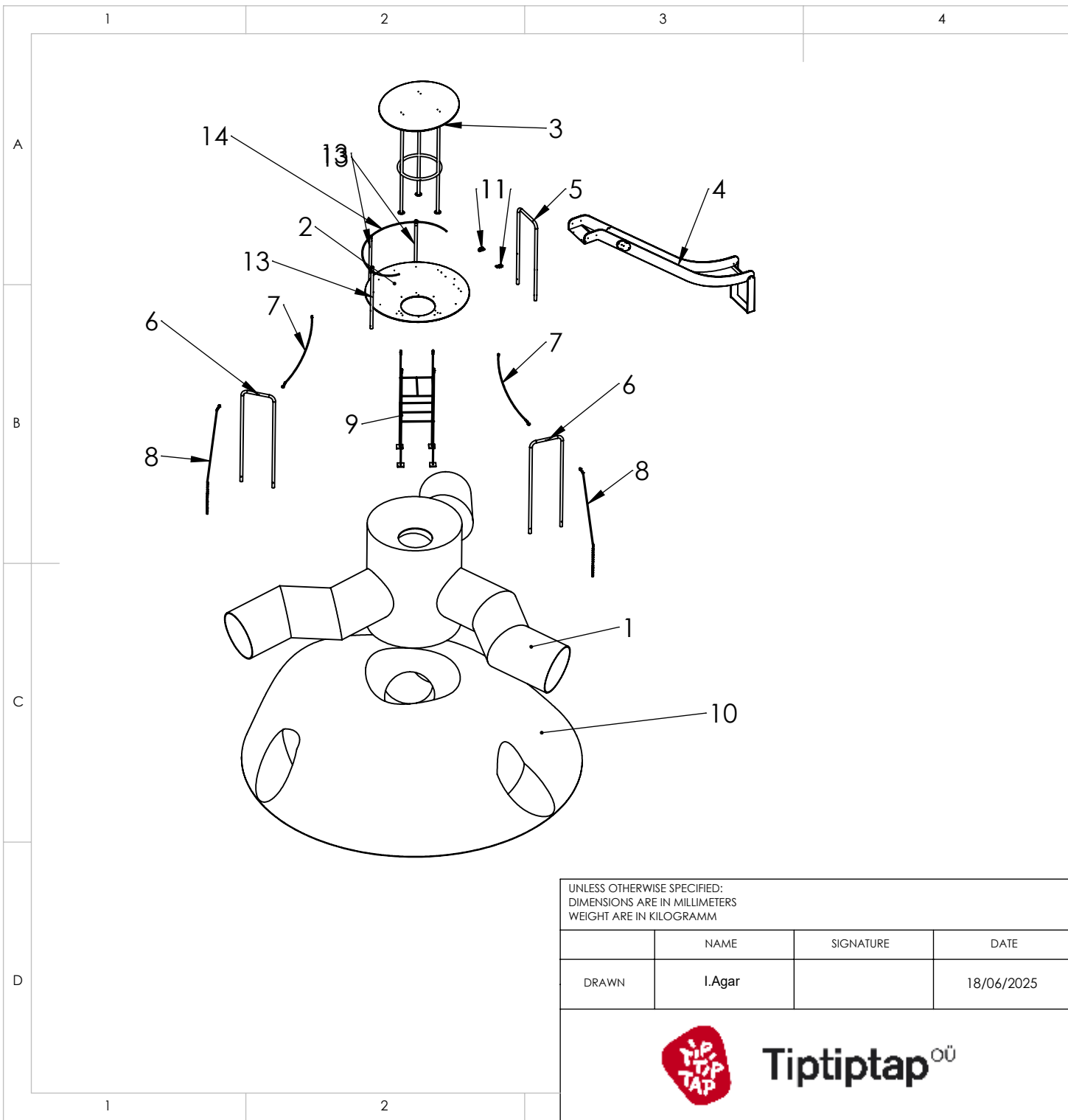
SCALE: 1:60

SHEET 3 OF 5



**The hill must have a slope of 45 degrees or less!**

UNLESS OTHERWISE SPECIFIED: DIMENSIONS ARE IN MILLIMETERS WEIGHT ARE IN KILOGRAMM				Product code: <b>MM150</b>	
	NAME	SIGNATURE	DATE	DESCRIPTION: <b>Mole's mine</b>	
DRAWN	I.Agar		18/06/2025		
 <b>Tiptiptap</b> <sup>OO</sup>				A4	
				WEIGHT:	SCALE: 1:60



ITEM NO.	DescriptionENG	QTY.
1	MM150 tube set	1
2	MM150 platform panel	1
3	MM150 roof frame with roof panel	1
4	Slide h-2150	1
5	MM150 U-tube 1500mm	1
6	MM150 U-tube 1775mm	2
7	MM150 rope 1	2
8	MM150 rope 2	2
9	MM150 tunnel ladder	1
10	EPDM Hill	1
11	Slide mount	2
13	Barrier tube	3
14	Barrier rope	1

UNLESS OTHERWISE SPECIFIED:  
 DIMENSIONS ARE IN MILLIMETERS  
 WEIGHT ARE IN KILOGRAMM

	NAME	SIGNATURE	DATE
DRAWN	I.Agar		18/06/2025



Product code:	MM150	
DESCRIPTION:	Mole's mine	
WEIGHT:	SCALE: 1:90	A4
		SHEET 5 OF 5