

A

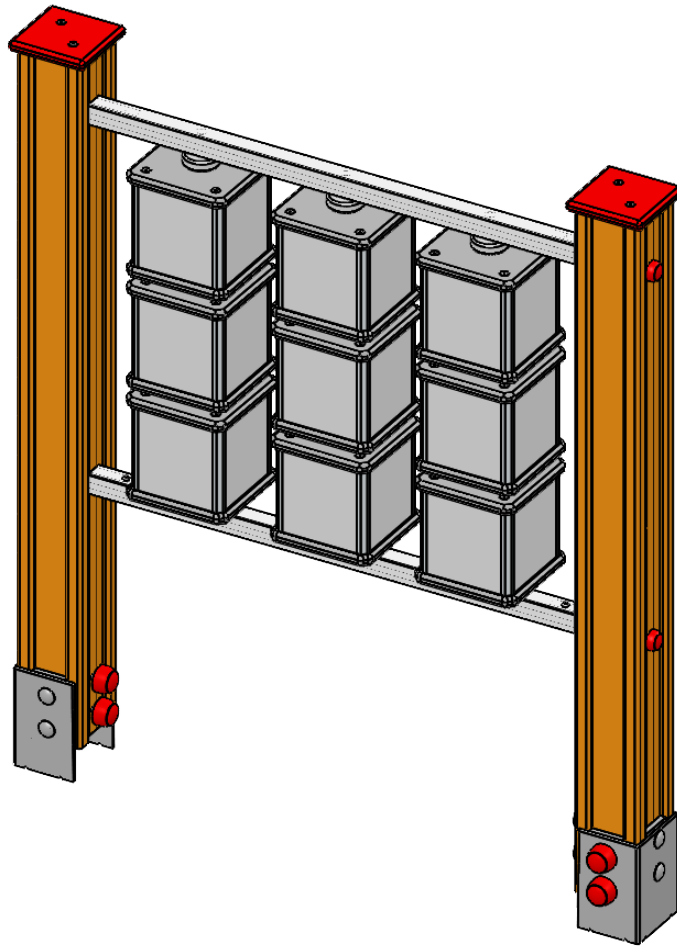
B

C

D

E

F



UNLESS OTHERWISE SPECIFIED:
 DIMENSIONS ARE IN MILLIMETERS
 WEIGHT ARE IN KILOGRAMM

PART NUMBER / DWG NO.:

AW02A

	NAME	SIGNATURE	DATE	REVISION
DRAWN	E.Reispere		29.01.2025	
APPV'D				

DESCRIPTION:

Activity wall ANIMALS

MATERIAL:

wood, metal, plastic

A4

WEIGHT:

SCALE: 1:20

SHEET 1 OF 12



Tiptiptap OÜ

safety area

A

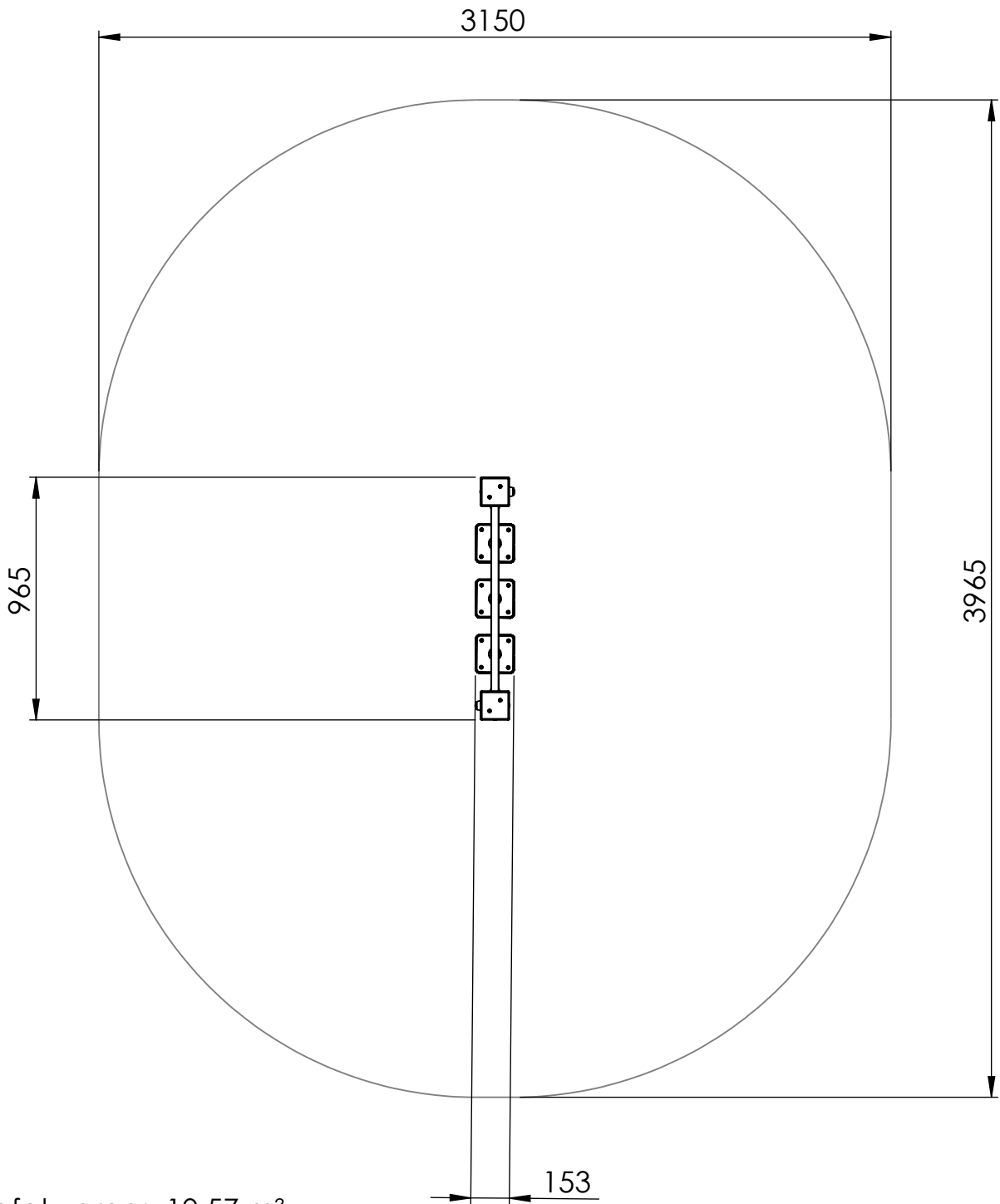
B

C

D

E

F



UNLESS OTHERWISE SPECIFIED:
 DIMENSIONS ARE IN MILLIMETERS
 WEIGHT ARE IN KILOGRAMM

PART NUMBER / DWG NO.: **AW02A**

	NAME	SIGNATURE	DATE	REVISION
DRAWN	E.Reispere		29.01.2025	
APPV'D				

DESCRIPTION:
Activity wall ANIMALS



MATERIAL:	wood, metal, plastic	A4
WEIGHT:		SCALE: 1:20
		SHEET 2 OF 12

foundation

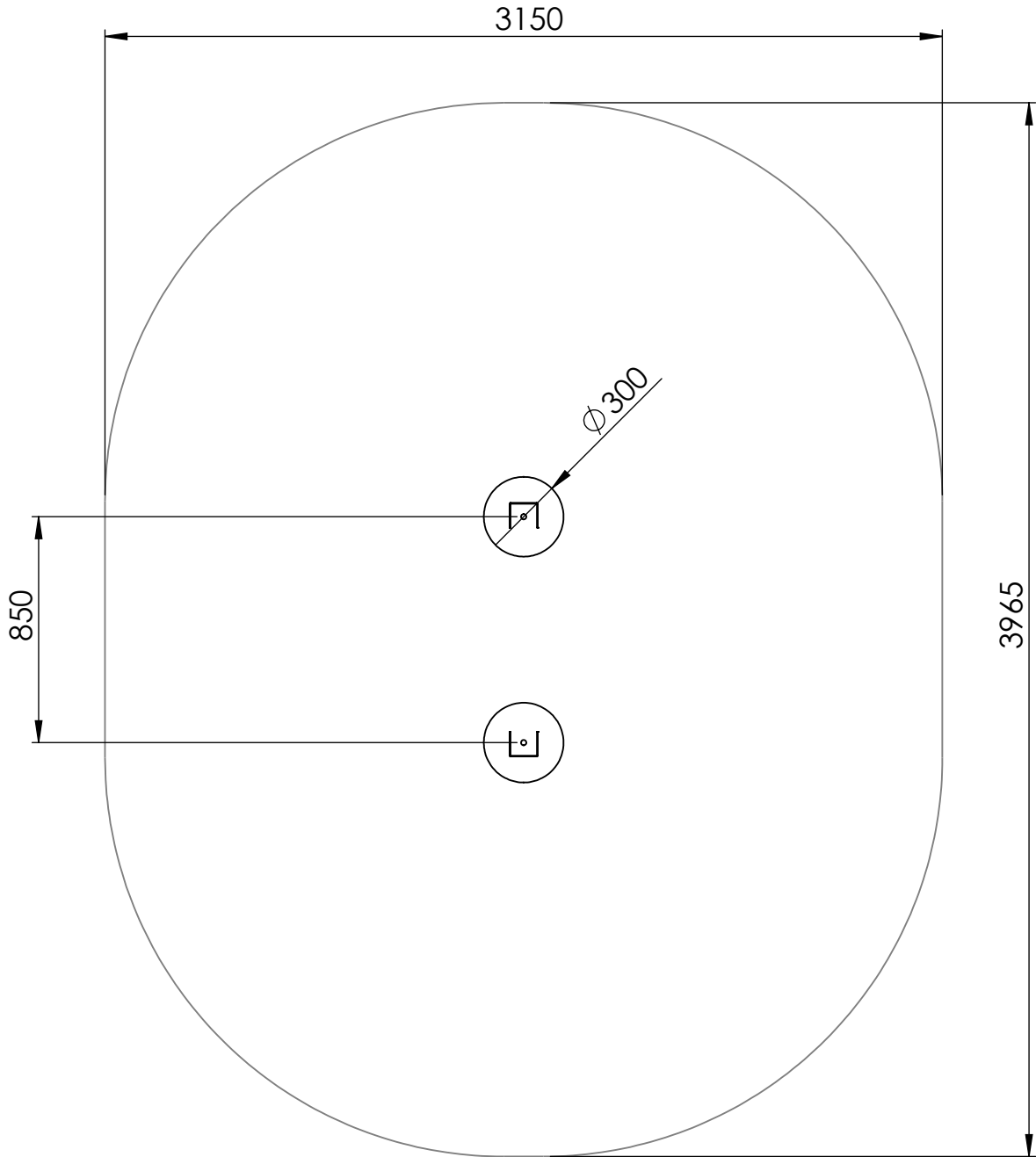
A

B

C

D

E



UNLESS OTHERWISE SPECIFIED:
DIMENSIONS ARE IN MILLIMETERS
WEIGHT ARE IN KILOGRAMM

PART NUMBER / DWG NO.:
AW02A

	NAME	SIGNATURE	DATE	REVISION
DRAWN	E.Reispere		29.01.2025	
APPV'D				

DESCRIPTION:
Activity wall ANIMALS



MATERIAL:	wood, metal, plastic	A4
WEIGHT:		SCALE: 1:20
		SHEET 3 OF 12

A

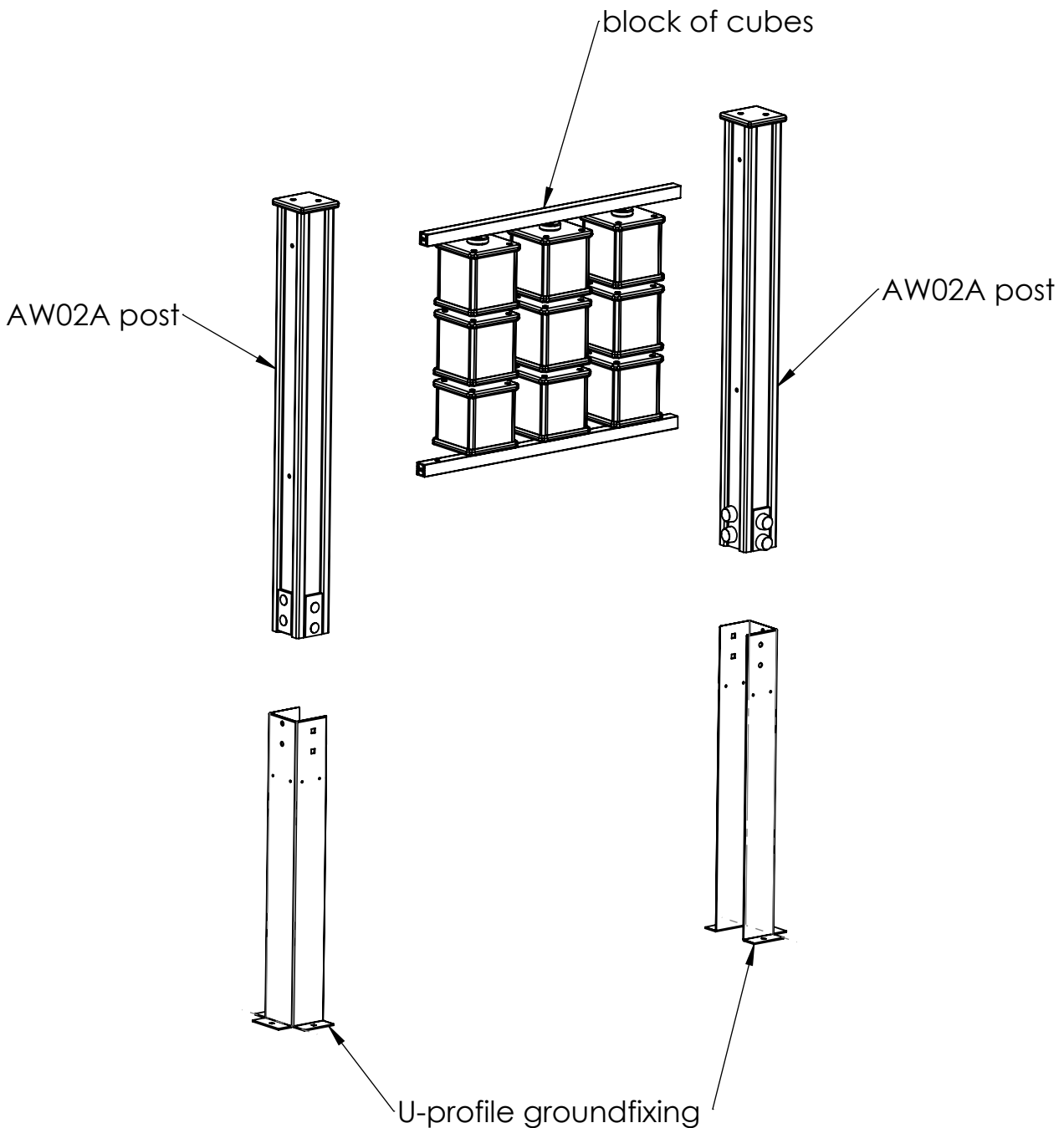
B

C

D

E

F



UNLESS OTHERWISE SPECIFIED: DIMENSIONS ARE IN MILLIMETERS WEIGHT ARE IN KILOGRAMM				
	NAME	SIGNATURE	DATE	REVISION
DRAWN	E.Reispere		29.01.2025	
APPV'D				

PART NUMBER / DWG NO.:	AW02A		
DESCRIPTION:	Activity wall ANIMALS		



MATERIAL:	wood, metal, plastic	A4
WEIGHT:	SCALE: 1:20	SHEET 4 OF 12

A

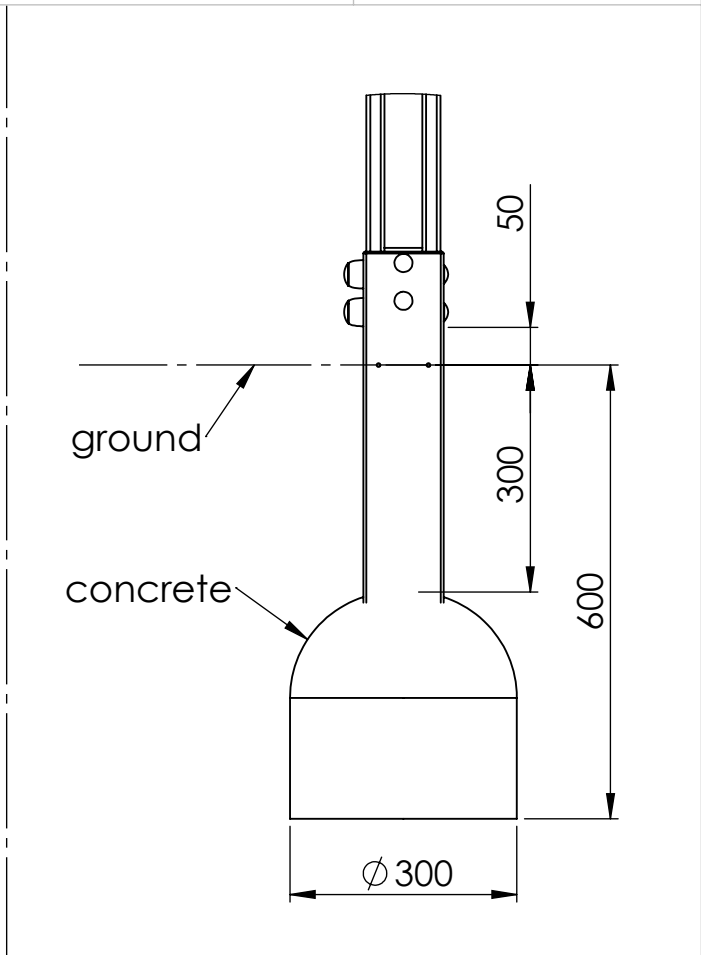
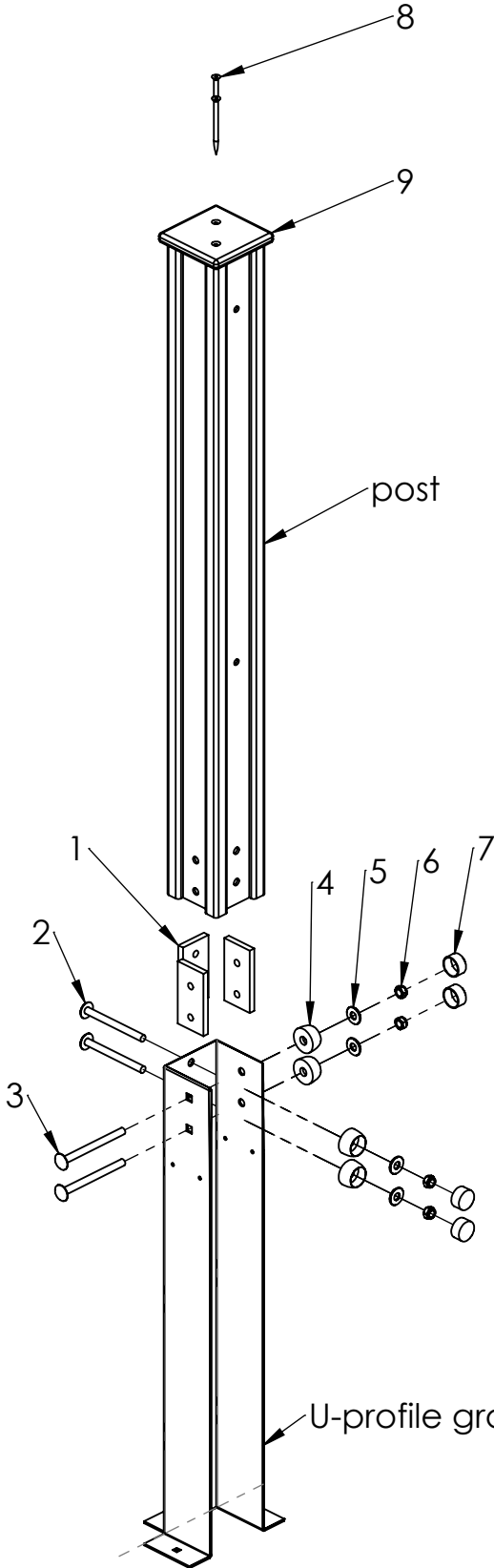
B

C

D

E

F



ITEM NO.	PART NUMBER
1	plastic detail for ground fixing
2	M10x110 bolt DIN603
3	M10x120 bolt DIN603
4	M12 Nut cover
5	M10 Washer DIN9054
6	M10 Nut DIN985
7	M12 Nut cover cap
8	wood screw 6 x 90
9	plastic cap 115x115

UNLESS OTHERWISE SPECIFIED: DIMENSIONS ARE IN MILLIMETERS WEIGHT ARE IN KILOGRAMM				
	NAME	SIGNATURE	DATE	REVISION
DRAWN	E.Reispere		29.01.2025	
APPV'D				

PART NUMBER / DWG NO.:	AW02A		
DESCRIPTION:	Activity wall ANIMALS		



MATERIAL:	wood, metal, plastic	A4
WEIGHT:	SCALE: 1:20	SHEET 5 OF 12

A

B

C

D

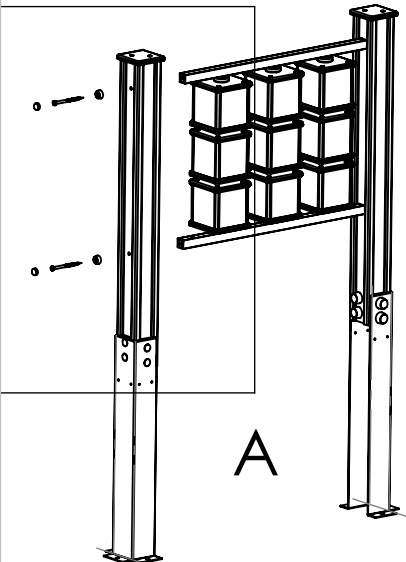
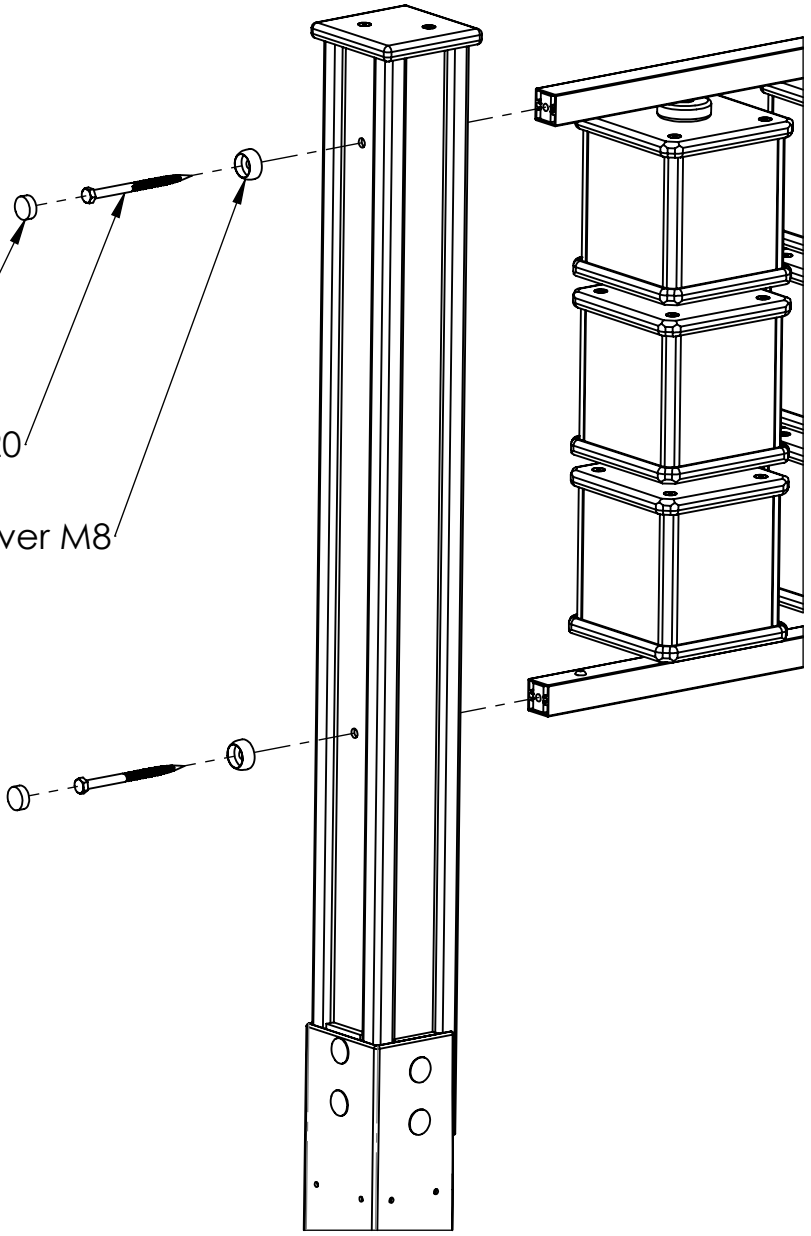
E

F

nut cover cap M8

wood screw DIN571 8x120

nut cover M8



DETAIL A

UNLESS OTHERWISE SPECIFIED: DIMENSIONS ARE IN MILLIMETERS WEIGHT ARE IN KILOGRAMM				
	NAME	SIGNATURE	DATE	REVISION
DRAWN	E.Reispere		29.01.2025	
APPV'D				

PART NUMBER / DWG NO.:	AW02A		
DESCRIPTION:	Activity wall ANIMALS		



MATERIAL:	wood, metal, plastic	A4
WEIGHT:	SCALE: 1:20	SHEET 6 OF 12

A

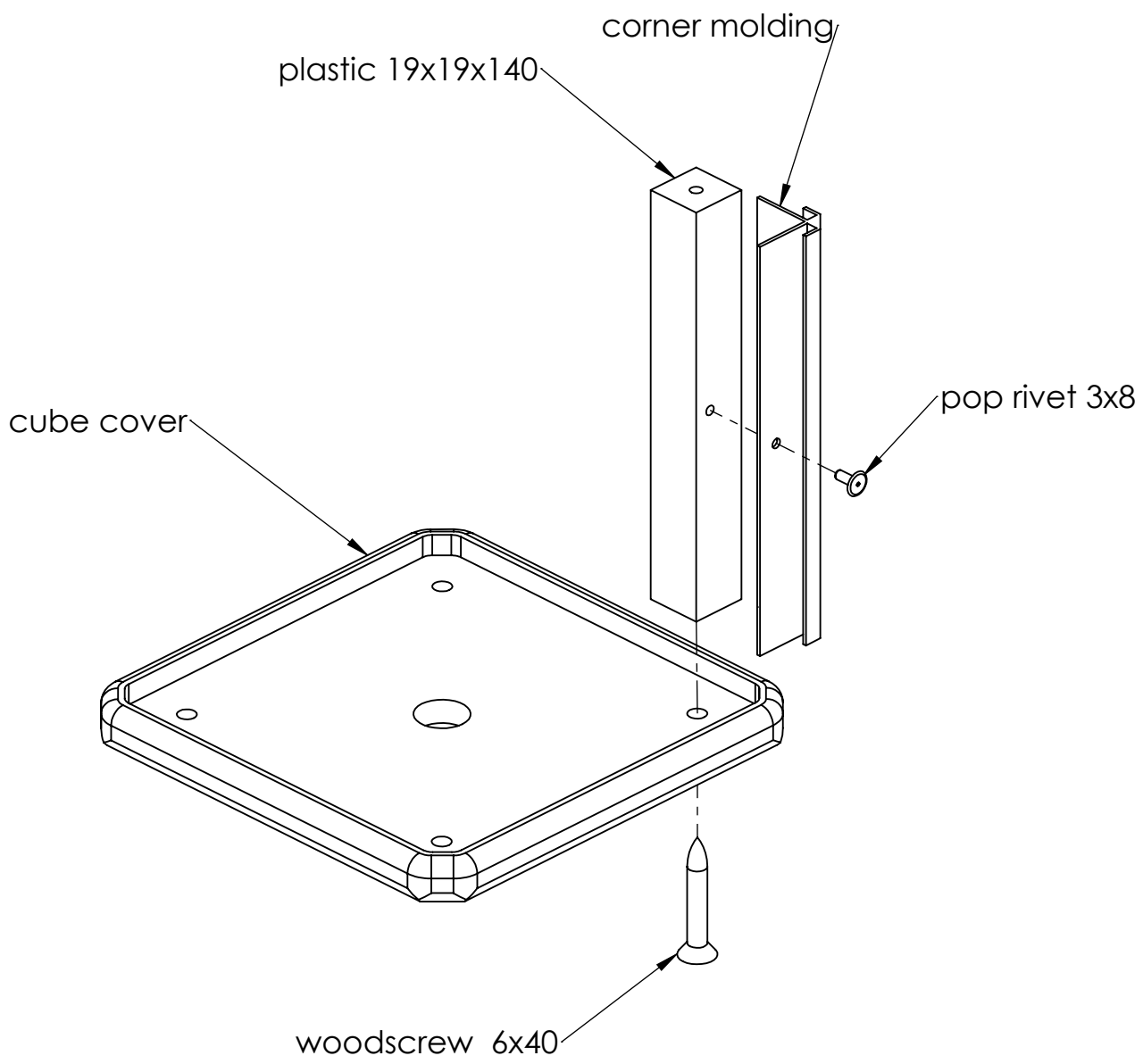
B

C

D

E

F



UNLESS OTHERWISE SPECIFIED:
 DIMENSIONS ARE IN MILLIMETERS
 WEIGHT ARE IN KILOGRAMM

PART NUMBER / DWG NO.: **AW02A**

	NAME	SIGNATURE	DATE	REVISION
DRAWN	E.Reispere		29.01.2025	
APPV'D				

DESCRIPTION:
Activity wall ANIMALS



MATERIAL:	wood, metal, plastic	A4
WEIGHT:		SCALE: 1:20
		SHEET 7 OF 12

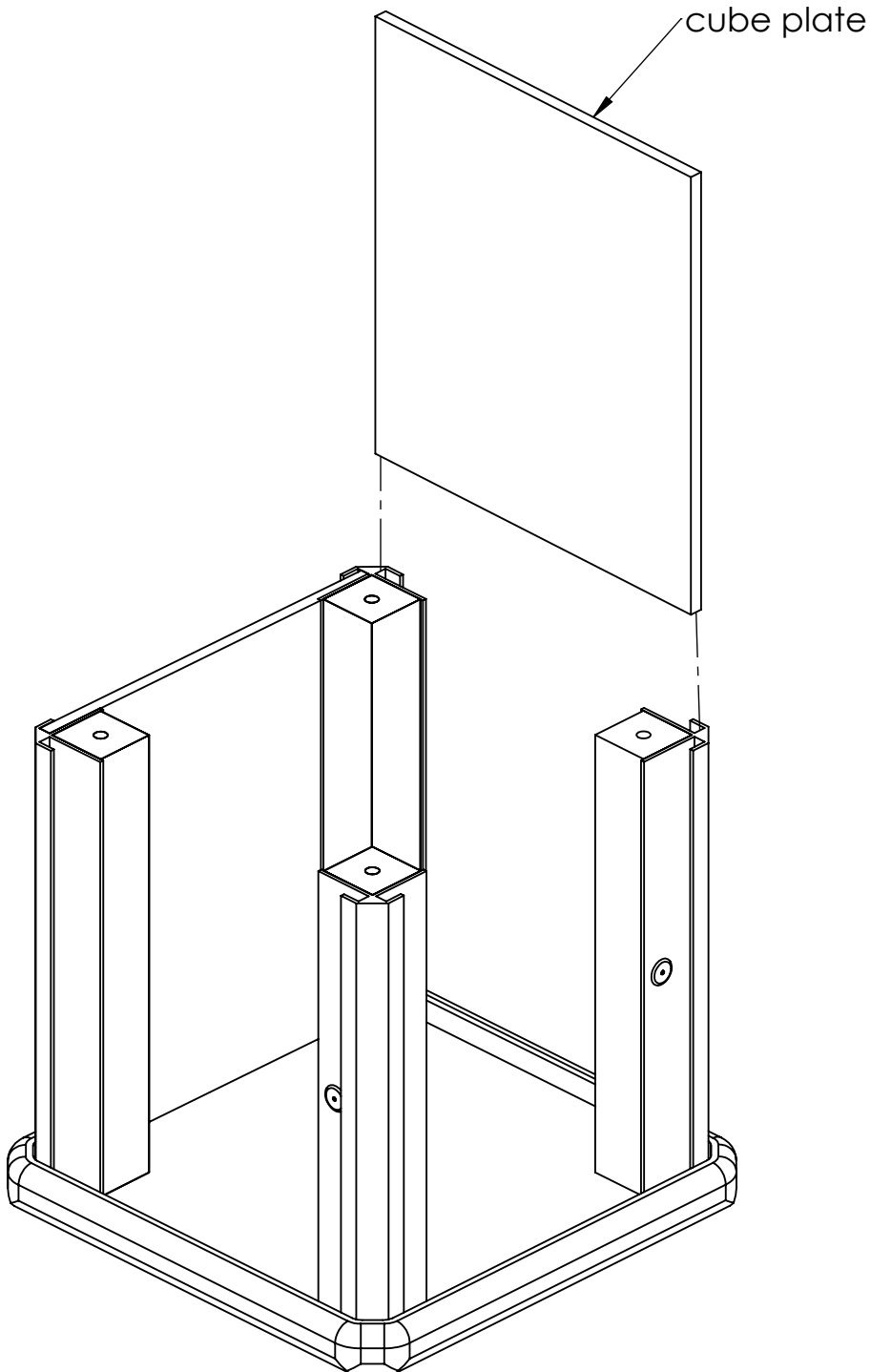
A

B

C

D

E



UNLESS OTHERWISE SPECIFIED:
 DIMENSIONS ARE IN MILLIMETERS
 WEIGHT ARE IN KILOGRAMM

PART NUMBER / DWG NO.: **AW02A**

	NAME	SIGNATURE	DATE	REVISION
DRAWN	E.Reispere		29.01.2025	
APPV'D				

DESCRIPTION:
Activity wall ANIMALS



MATERIAL:	wood, metal, plastic	A4
WEIGHT:	SCALE: 1:20	SHEET 8 OF 12

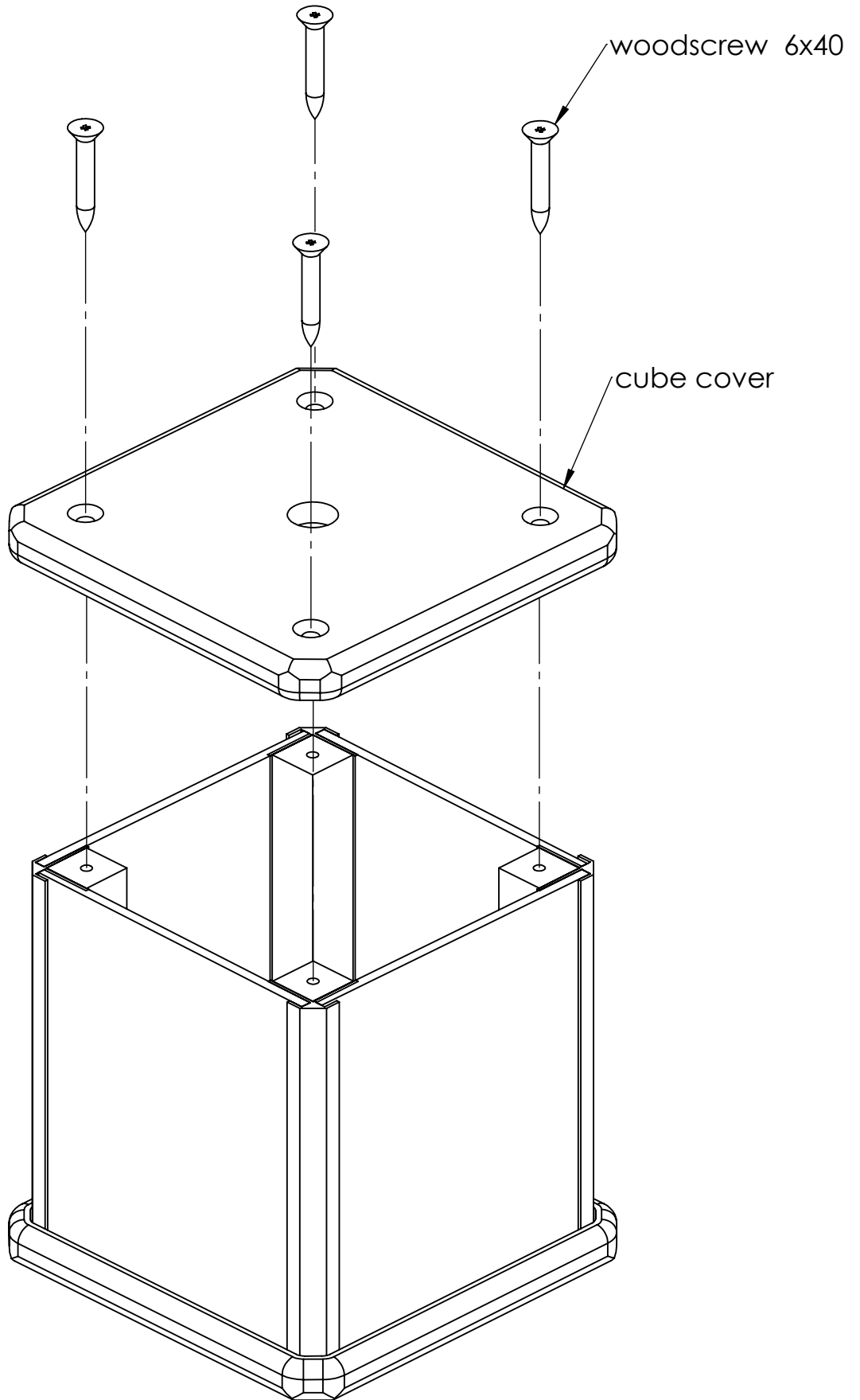
A

B

C

D

E



UNLESS OTHERWISE SPECIFIED:
 DIMENSIONS ARE IN MILLIMETERS
 WEIGHT ARE IN KILOGRAMM

PART NUMBER / DWG NO.:

AW02A

	NAME	SIGNATURE	DATE	REVISION
DRAWN	E.Reispere		29.01.2025	
APPV'D				

DESCRIPTION:

Activity wall ANIMALS

MATERIAL:

wood, metal, plastic

A4

WEIGHT:

SCALE: 1:20

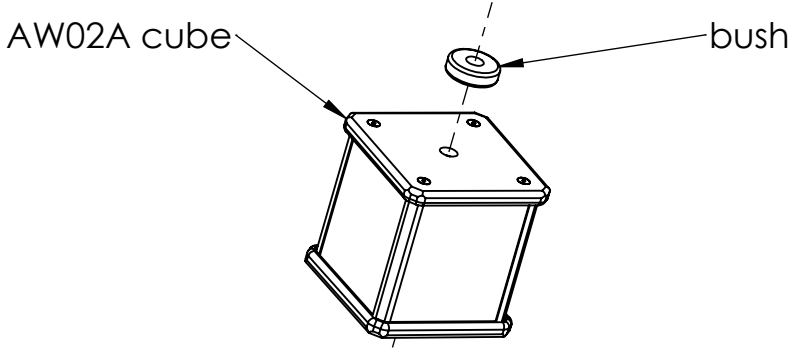
SHEET 9 OF 12



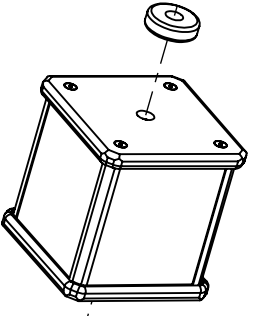
Tiptiptap ⁰⁰

F

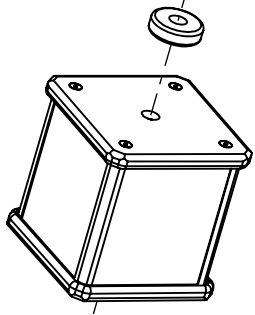
A



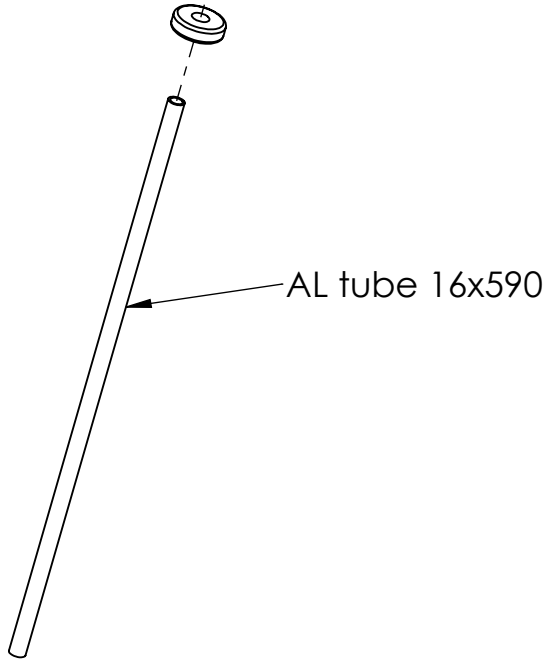
B



C



D



E

F

UNLESS OTHERWISE SPECIFIED: DIMENSIONS ARE IN MILLIMETERS WEIGHT ARE IN KILOGRAMM				
	NAME	SIGNATURE	DATE	REVISION
DRAWN	E.Reispere		29.01.2025	
APPV'D				

PART NUMBER / DWG NO.:	AW02A
DESCRIPTION:	Activity wall ANIMALS



MATERIAL:	wood, metal, plastic	A4
WEIGHT:	SCALE: 1:20	SHEET 10 OF 12

A

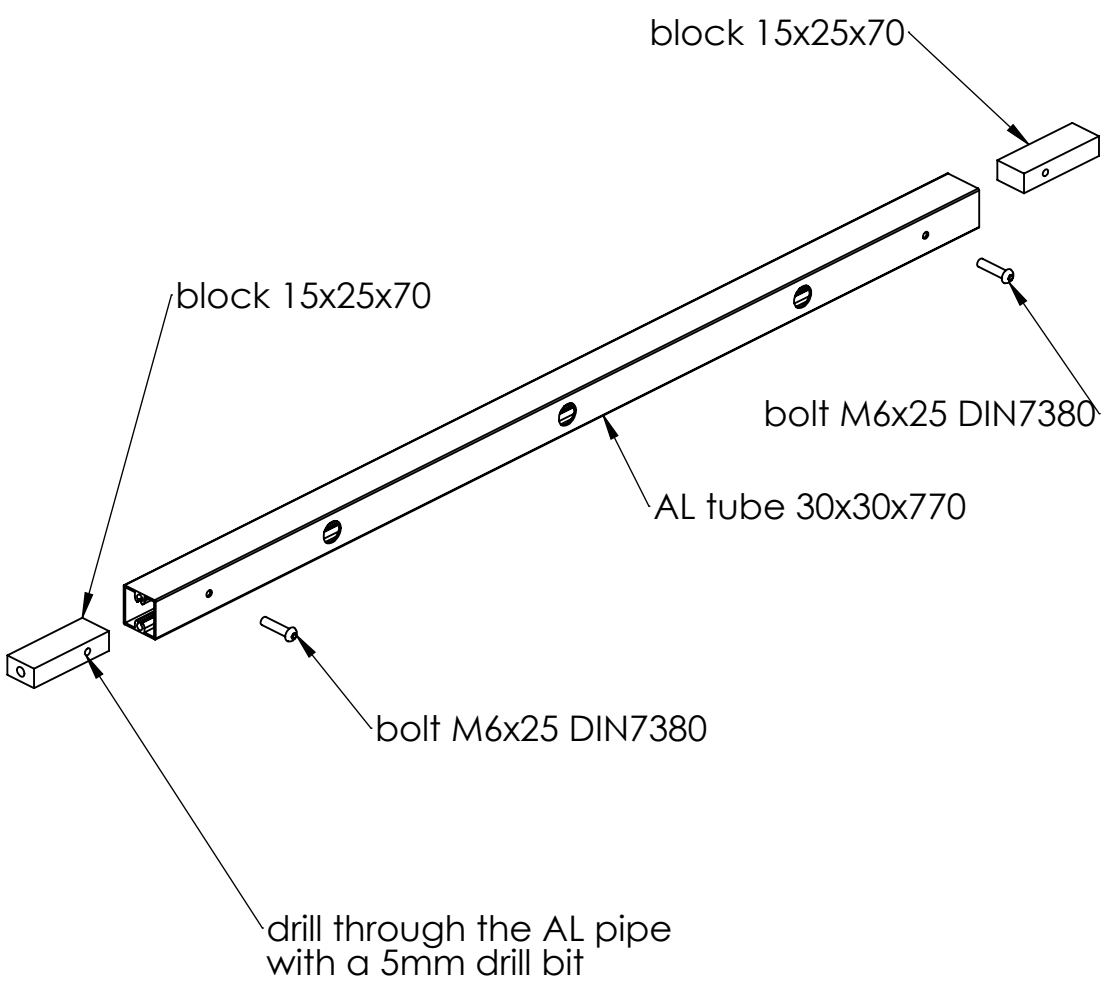
B

C

D

E

F



UNLESS OTHERWISE SPECIFIED:
 DIMENSIONS ARE IN MILLIMETERS
 WEIGHT ARE IN KILOGRAMM

PART NUMBER / DWG NO.: **AW02A**

	NAME	SIGNATURE	DATE	REVISION
DRAWN	E.Reispere		29.01.2025	
APPV'D				

DESCRIPTION:
Activity wall ANIMALS



MATERIAL:	wood, metal, plastic	A4
WEIGHT:	SCALE: 1:20	SHEET 11 OF 12

A

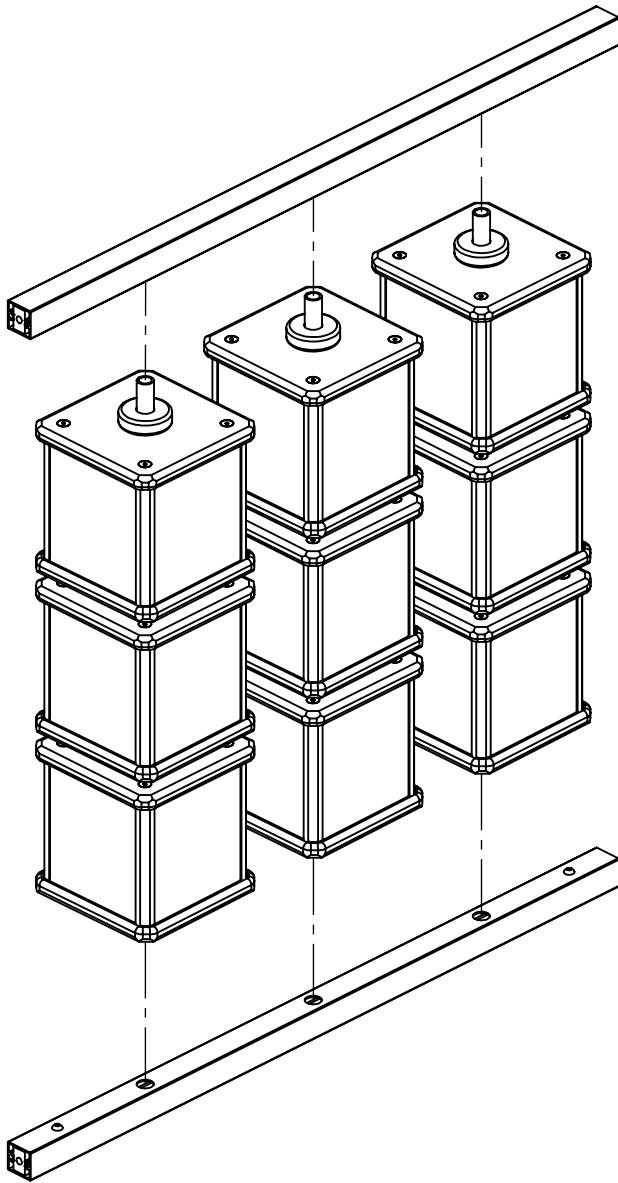
B

C

D

E

F



UNLESS OTHERWISE SPECIFIED:
 DIMENSIONS ARE IN MILLIMETERS
 WEIGHT ARE IN KILOGRAMM

PART NUMBER / DWG NO.:

AW02A

	NAME	SIGNATURE	DATE	REVISION
DRAWN	E.Reispere		29.01.2025	
APPV'D				

DESCRIPTION:

Activity wall ANIMALS

MATERIAL:

wood, metal, plastic

A4

WEIGHT:

SCALE: 1:20

SHEET 12 OF 12



Tiptiptap ^{OO}