

A

B

C

D

E



UNLESS OTHERWISE SPECIFIED:
 DIMENSIONS ARE IN MILLIMETERS
 WEIGHT ARE IN KILOGRAMM

PART NUMBER / DWG NO.:

AW02K

	NAME	SIGNATURE	DATE	REVISION
DRAWN	I.Agar		30.03.2023	
APPV'D				

DESCRIPTION:

Shop

F



Tiptiptap OÜ

MATERIAL:

wood, metal, plastic

A4

WEIGHT:

SCALE: 1:10

SHEET 1 OF 14

Safety area

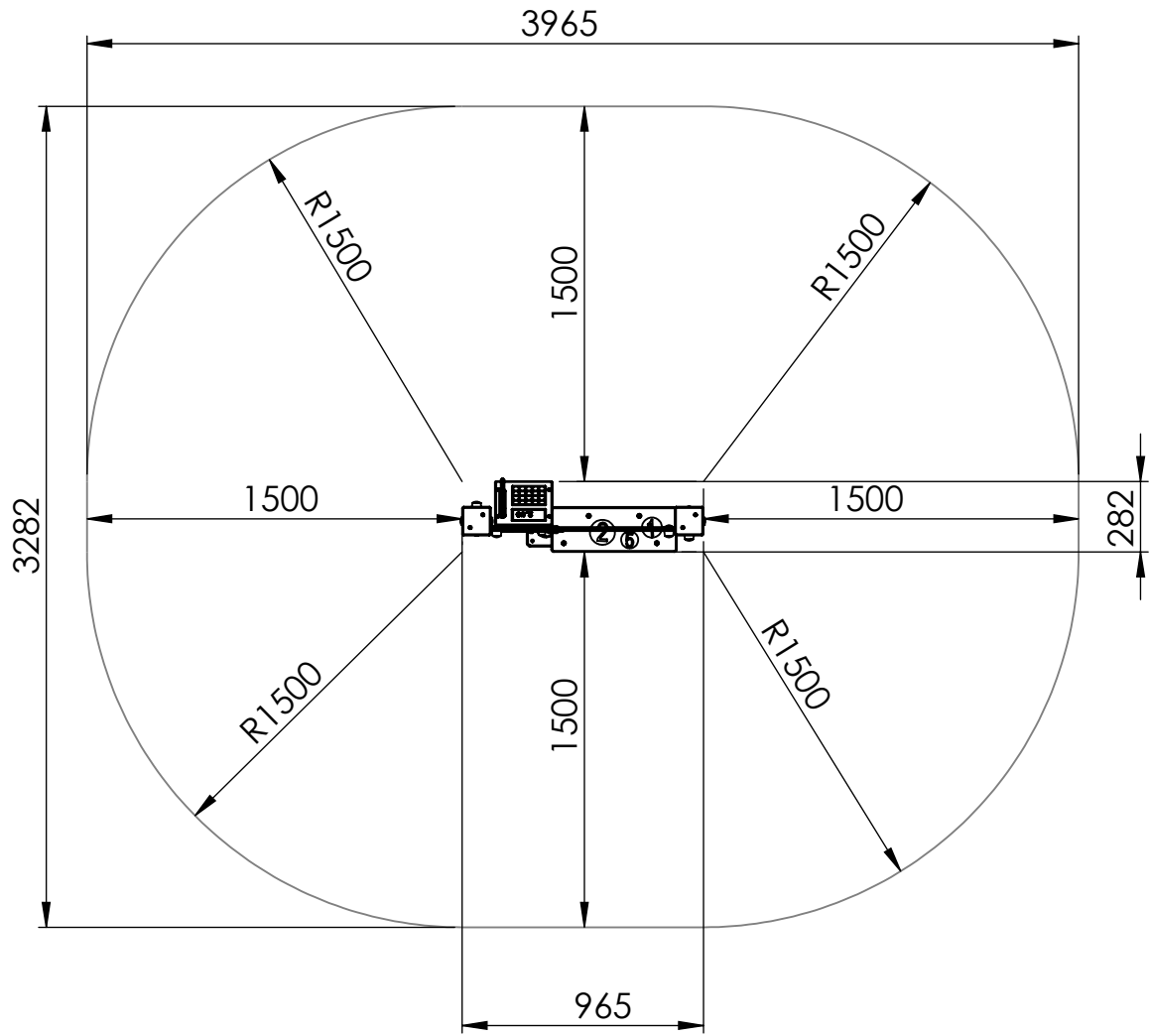
A

B

C

D

E



UNLESS OTHERWISE SPECIFIED:
DIMENSIONS ARE IN MILLIMETERS
WEIGHT ARE IN KILOGRAMM

PART NUMBER / DWG NO.:

AW02K

	NAME	SIGNATURE	DATE	REVISION
DRAWN	I.Agar		30.03.2023	
APPV'D				

DESCRIPTION:

Shop



Tiptiptap ^{ÖÜ}

MATERIAL:

wood, metal, plastic

A4

WEIGHT:

SCALE: 1:30

SHEET 2 OF 14

Foundation

A

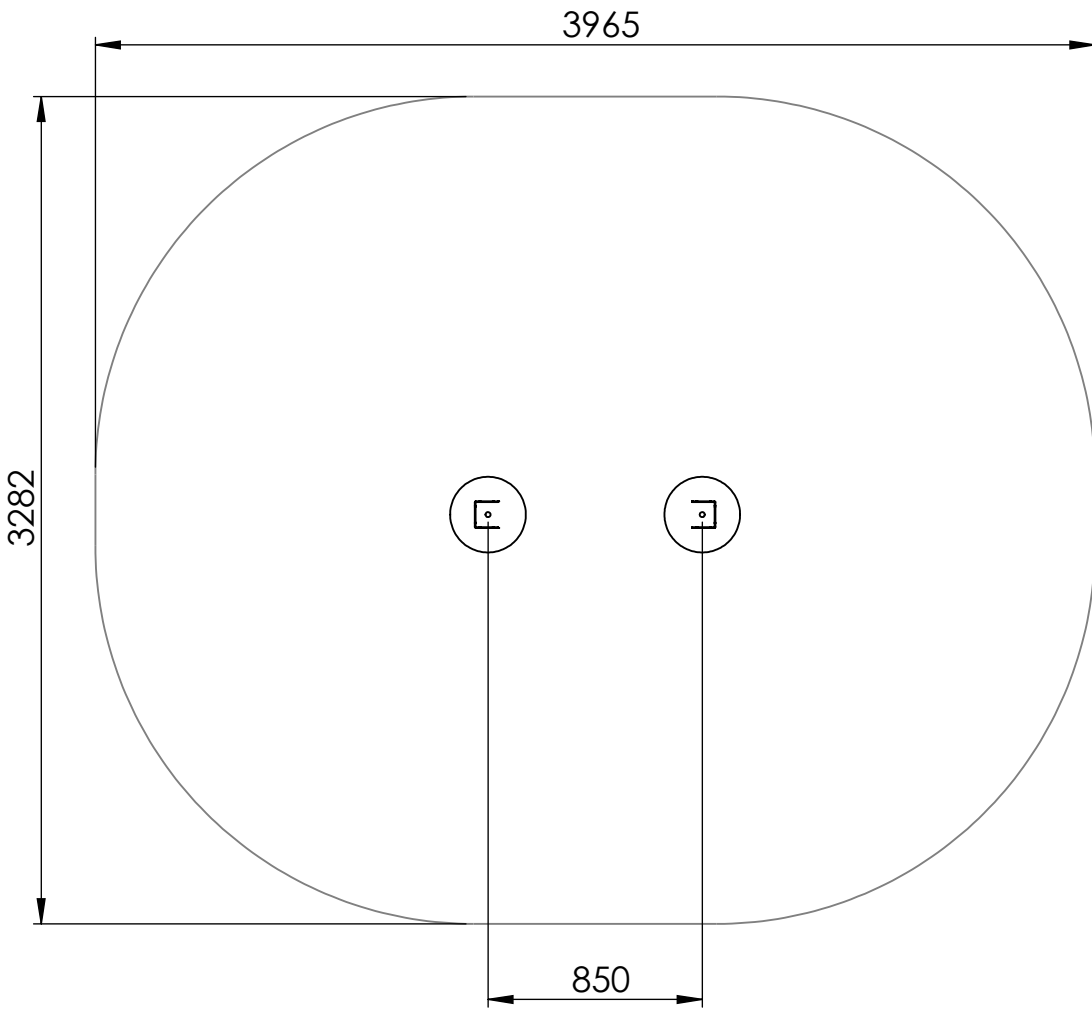
B

C

D

E

F



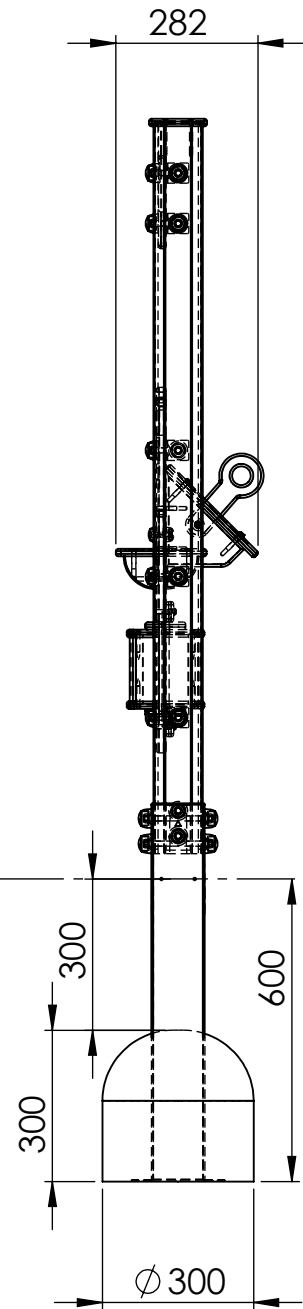
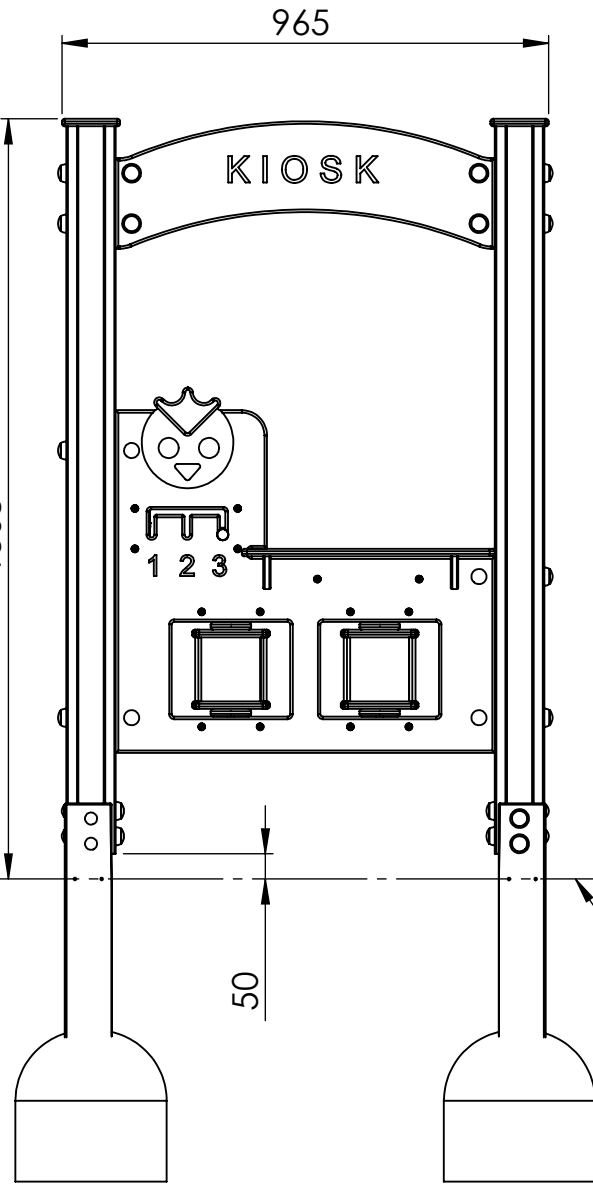
Depth of foundation: 600mm

UNLESS OTHERWISE SPECIFIED: DIMENSIONS ARE IN MILLIMETERS WEIGHT ARE IN KILOGRAMM				
	NAME	SIGNATURE	DATE	REVISION
DRAWN	I.Agar		30.03.2023	
APPV'D				

PART NUMBER / DWG NO.:	AW02K
DESCRIPTION:	Shop



MATERIAL:	wood, metal, plastic	A4
WEIGHT:	SCALE: 1:30	SHEET 3 OF 14



UNLESS OTHERWISE SPECIFIED:
DIMENSIONS ARE IN MILLIMETERS
WEIGHT ARE IN KILOGRAMM

	NAME	SIGNATURE	DATE	REVISION
DRAWN	I.Agar		30.03.2023	
APPV'D				

PART NUMBER / DWG NO.:	AW02K
DESCRIPTION:	Shop

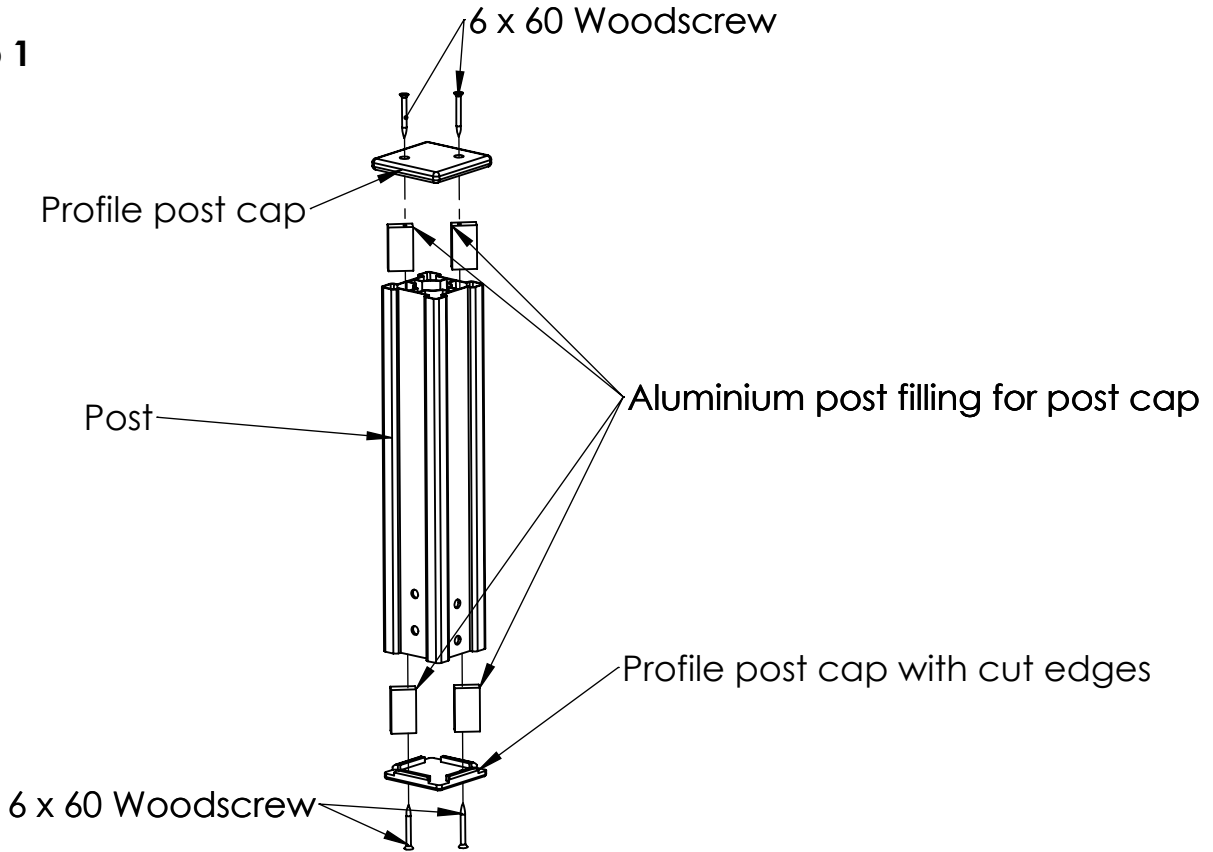


MATERIAL:	wood, metal, plastic	A4
WEIGHT:	SCALE: 1:15	SHEET 4 OF 14

Aluminium profile post cap and 750mm U-profile groundfixing assembly

A

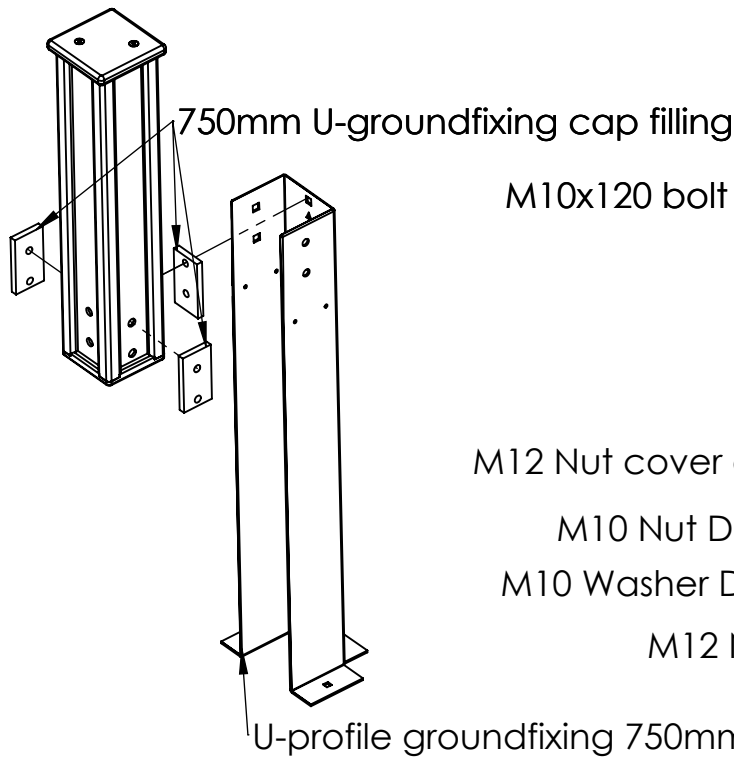
Step 1



B

C

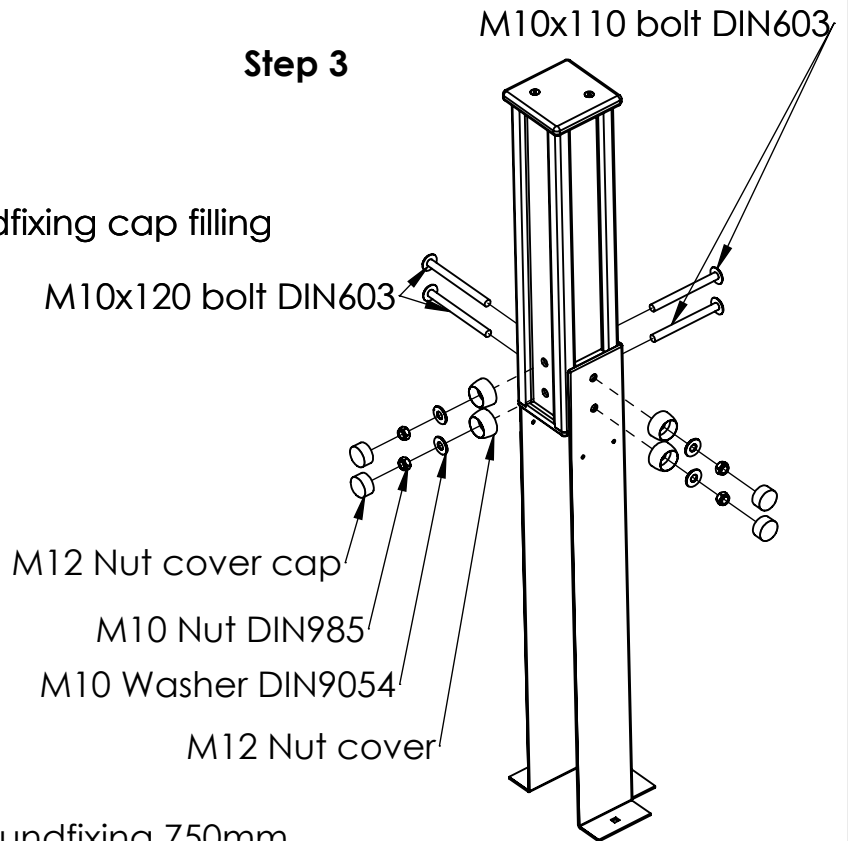
Step 2



D

E

Step 3



F

UNLESS OTHERWISE SPECIFIED:
DIMENSIONS ARE IN MILLIMETERS
WEIGHT ARE IN KILOGRAMM

PART NUMBER / DWG NO.:

AW02K

	NAME	SIGNATURE	DATE	REVISION
DRAWN	I.Agar		30.03.2023	
APPV'D				

DESCRIPTION:

Shop



Tiptap OÜ

MATERIAL:

wood, metal, plastic

A4

WEIGHT:

SCALE: 1:10

SHEET 5 OF 14

Wood profile post cap and 750mm U-profile groundfixing assembly

A

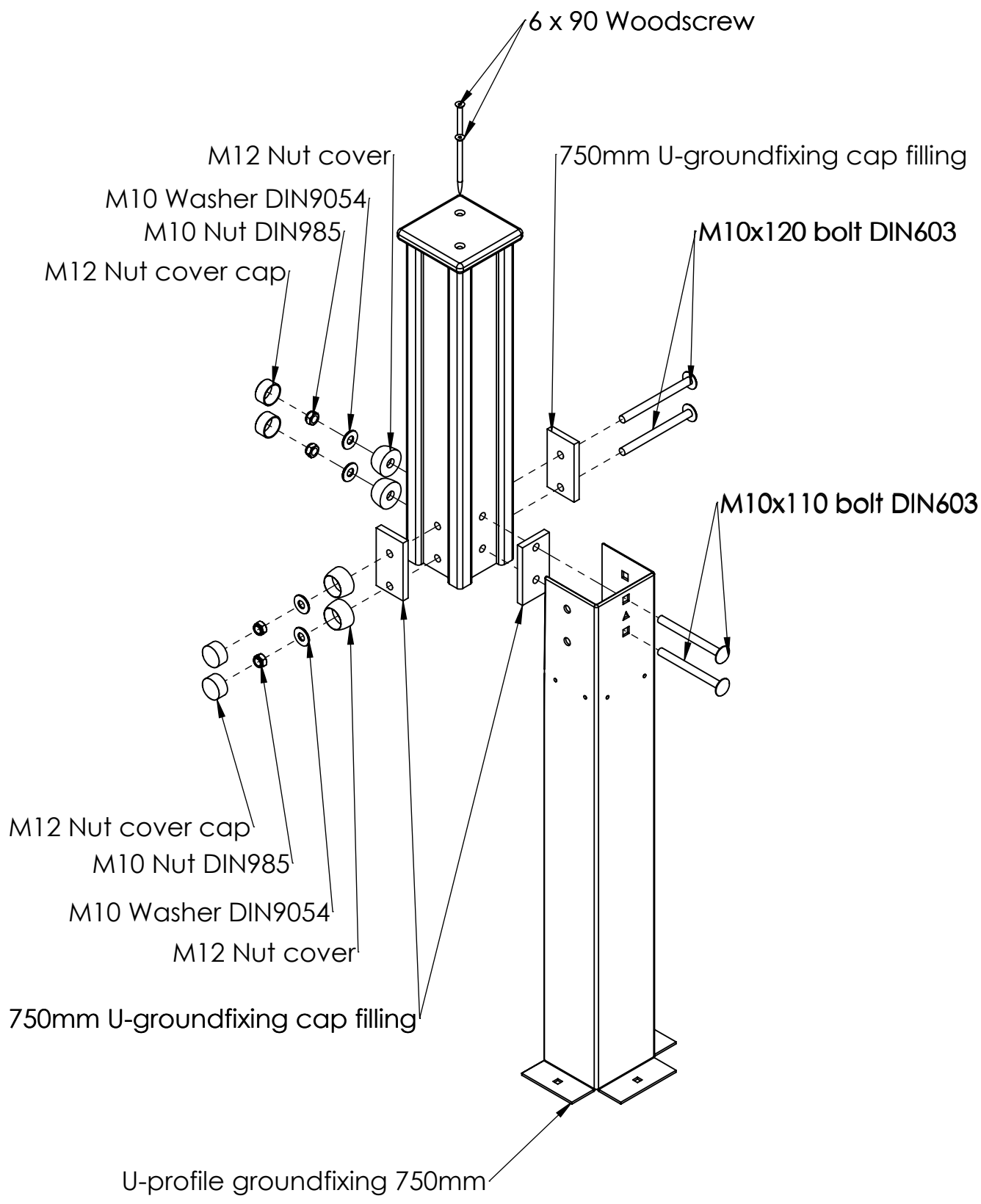
B

C

D

E

F



UNLESS OTHERWISE SPECIFIED:
DIMENSIONS ARE IN MILLIMETERS
WEIGHT ARE IN KILOGRAMM

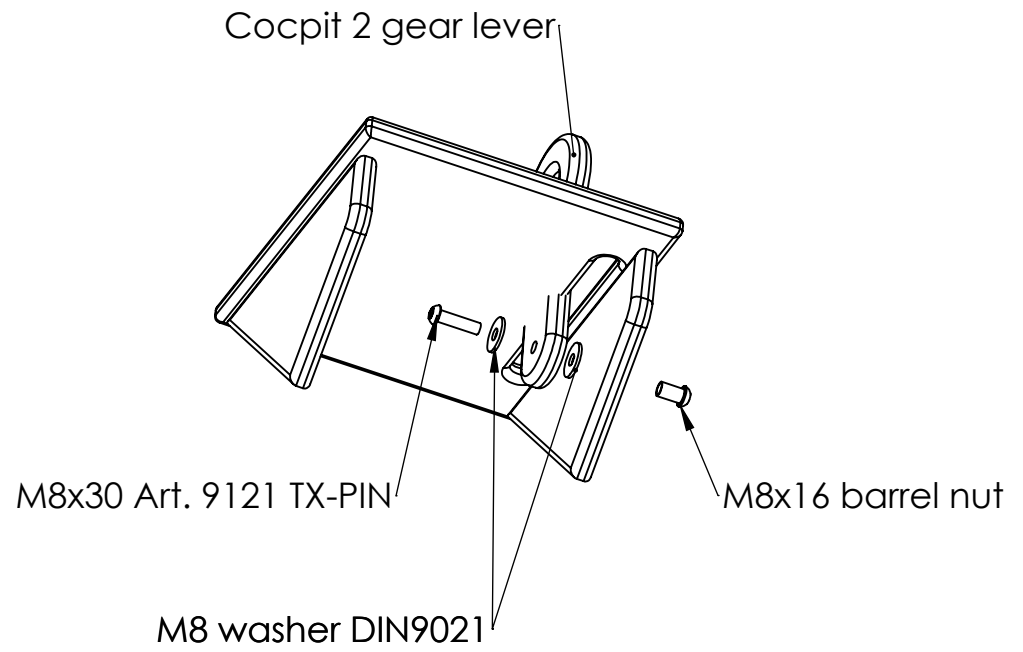
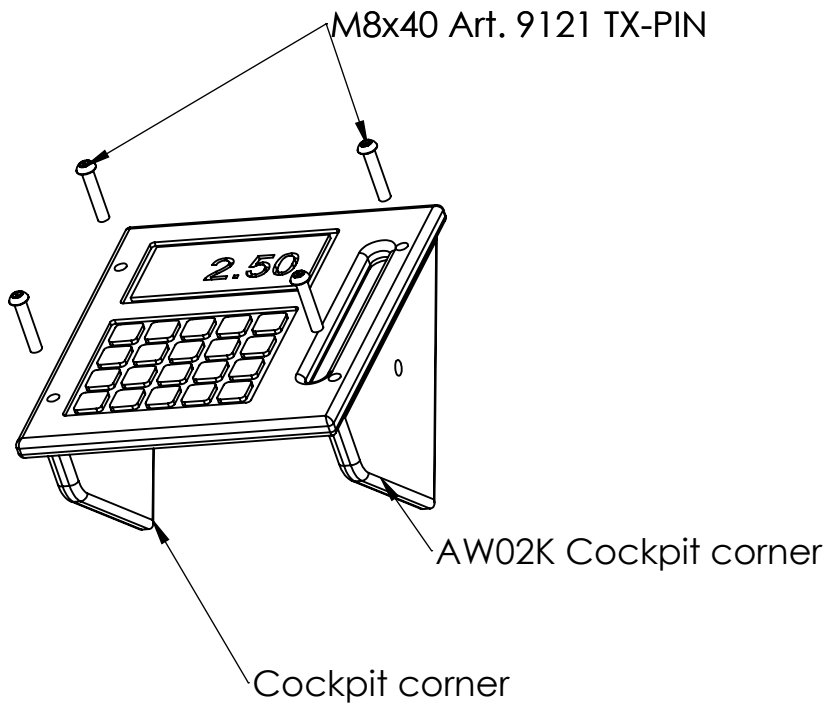
PART NUMBER / DWG NO.: **AW02K**

	NAME	SIGNATURE	DATE	REVISION
DRAWN	I.Agar		30.03.2023	
APPV'D				

DESCRIPTION: **Shop**



MATERIAL:	wood, metal, plastic	A4
WEIGHT:	SCALE: 1:7	SHEET 6 OF 14



UNLESS OTHERWISE SPECIFIED:
DIMENSIONS ARE IN MILLIMETERS
WEIGHT ARE IN KILOGRAMM

PART NUMBER / DWG NO.: **AW02K**

	NAME	SIGNATURE	DATE	REVISION
DRAWN	I.Agar		30.03.2023	
APPV'D				

DESCRIPTION: **Shop**



MATERIAL: **wood, metal, plastic** A4

WEIGHT: SCALE: 1:5 SHEET 7 OF 14

1

2

3

4

5

6

A

A

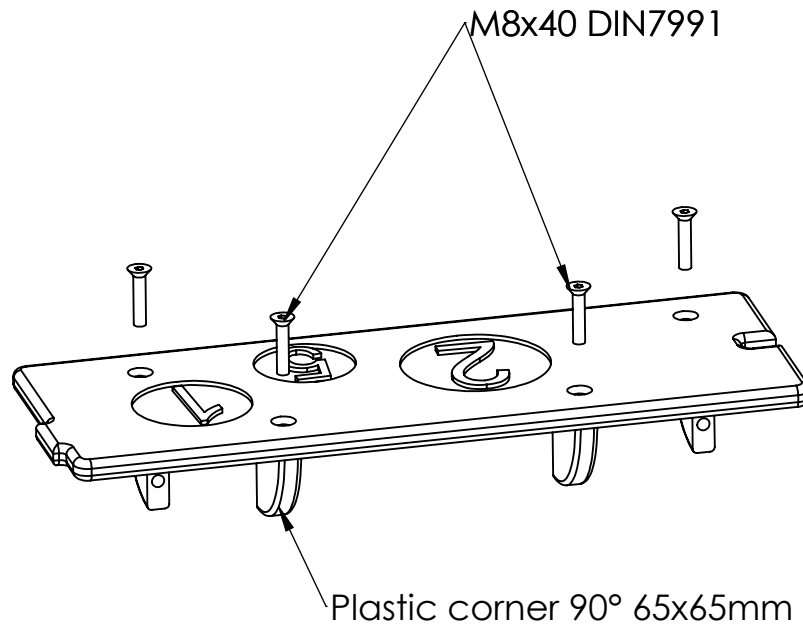
B

B

C

C

D



UNLESS OTHERWISE SPECIFIED:
 DIMENSIONS ARE IN MILLIMETERS
 WEIGHT ARE IN KILOGRAMM

PART NUMBER / DWG NO.: **AW02K**

	NAME	SIGNATURE	DATE	REVISION
DRAWN	I.Agar		30.03.2023	
APPV'D				

DESCRIPTION: **Shop**

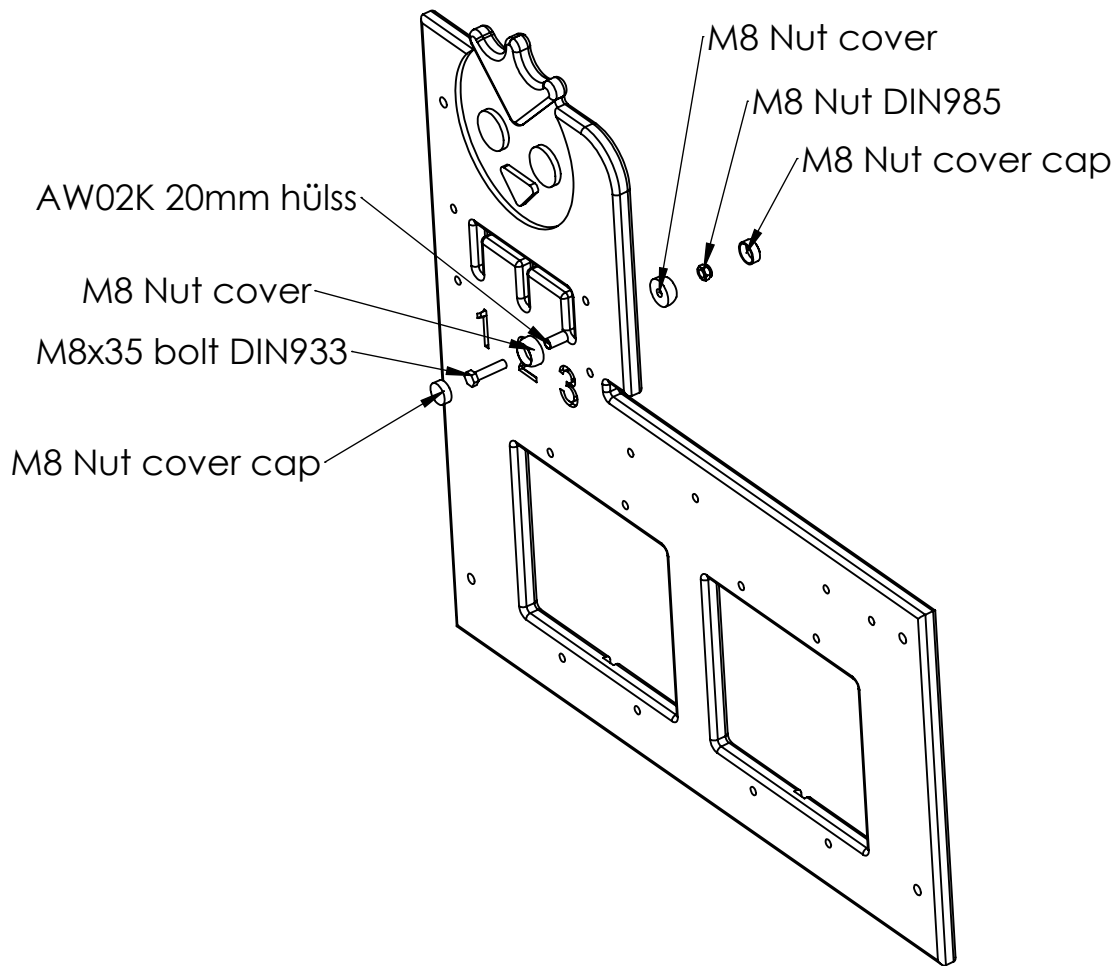


MATERIAL: **wood, metal, plastic** A4

WEIGHT: SCALE: 1:5 SHEET 8 OF 14

1

2



UNLESS OTHERWISE SPECIFIED:
 DIMENSIONS ARE IN MILLIMETERS
 WEIGHT ARE IN KILOGRAMM

PART NUMBER / DWG NO.: **AW02K**

	NAME	SIGNATURE	DATE	REVISION
DRAWN	I.Agar		30.03.2023	
APPV'D				

DESCRIPTION: **Shop**



MATERIAL:	wood, metal, plastic	A4
WEIGHT:		SCALE: 1:7
		SHEET 9 OF 14

1

2

3

4

5

6

A

A

B

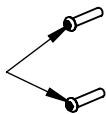
B

C

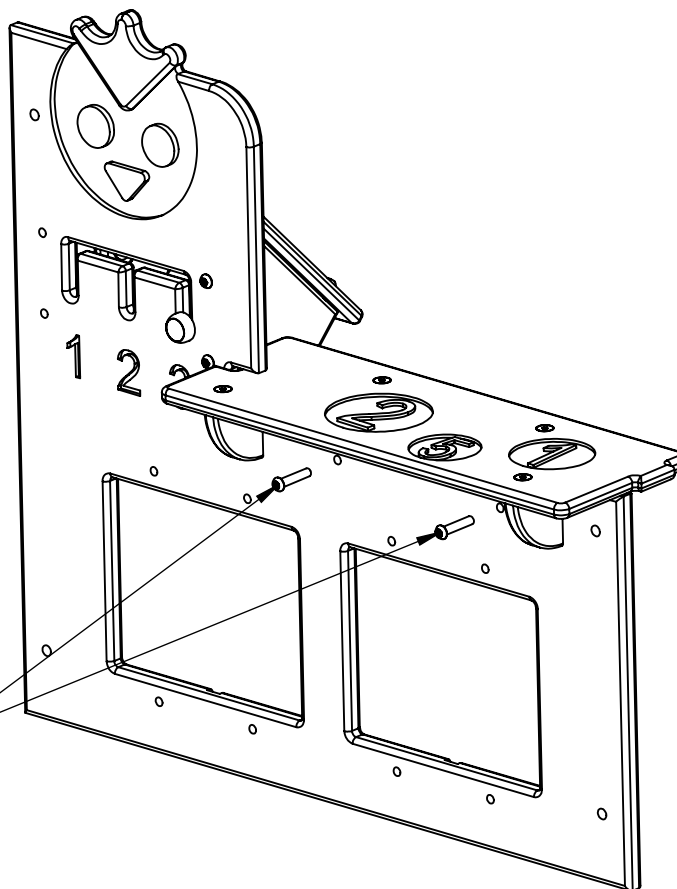
C

D

M8x40 Art. 9121 TX-PIN



M8x40 Art. 9121 TX-PIN



UNLESS OTHERWISE SPECIFIED:
DIMENSIONS ARE IN MILLIMETERS
WEIGHT ARE IN KILOGRAMM

PART NUMBER / DWG NO.:

AW02K

	NAME	SIGNATURE	DATE	REVISION
DRAWN	I.Agar		30.03.2023	
APPV'D				

DESCRIPTION:

Shop



Tiptiptap ^{OO}

MATERIAL:

wood, metal, plastic

A4

WEIGHT:

SCALE: 1:7

SHEET 10 OF 14

1

2

1 2 3 4 5 6

A

A

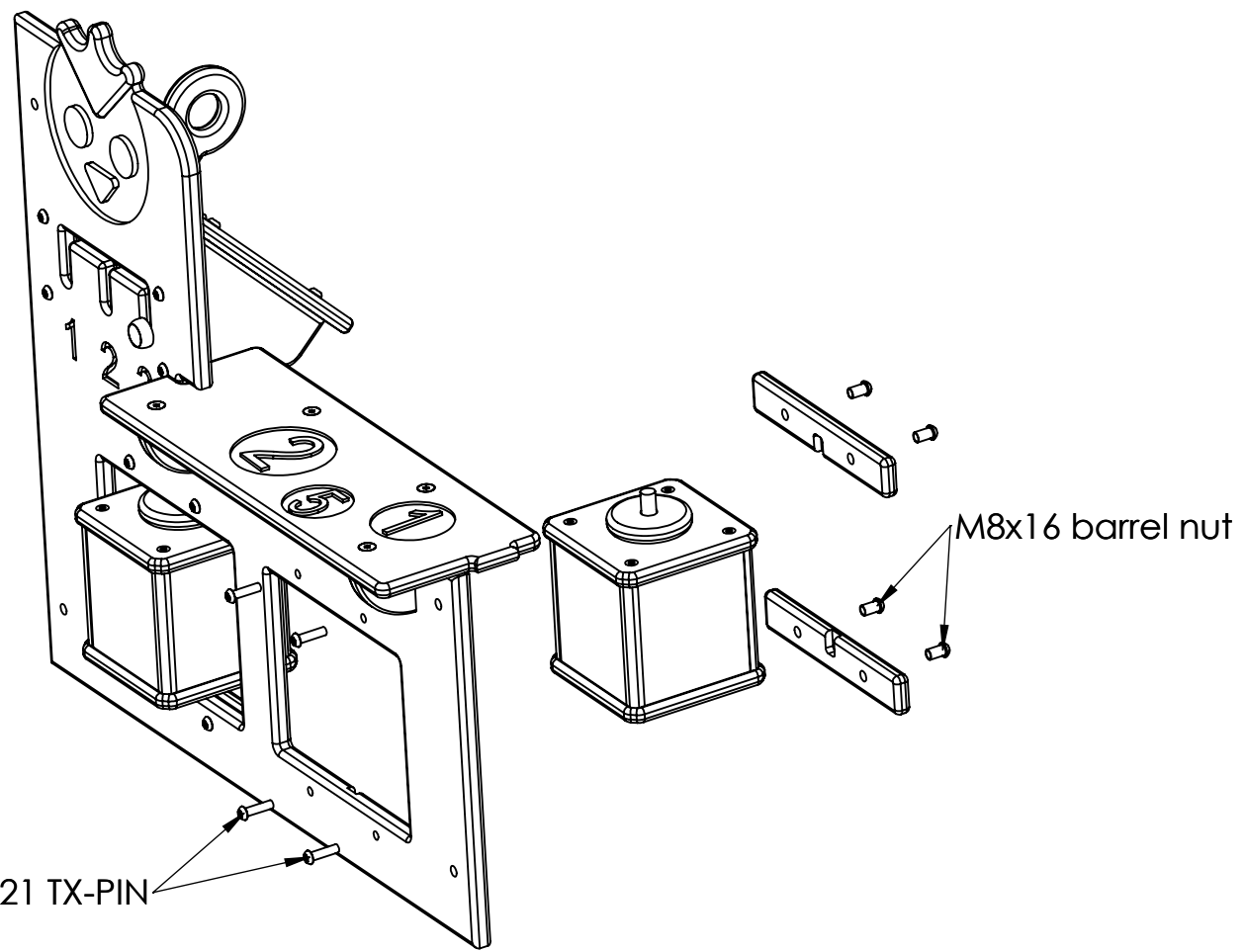
B

B

C

C

D



M8x30 Art. 9121 TX-PIN

M8x16 barrel nut

UNLESS OTHERWISE SPECIFIED:
DIMENSIONS ARE IN MILLIMETERS
WEIGHT ARE IN KILOGRAMM

PART NUMBER / DWG NO.: **AW02K**

	NAME	SIGNATURE	DATE	REVISION
DRAWN	I.Agar		30.03.2023	
APPV'D				

DESCRIPTION: **Shop**



MATERIAL: **wood, metal, plastic** A4

1

2

3

4

5

6

A

A

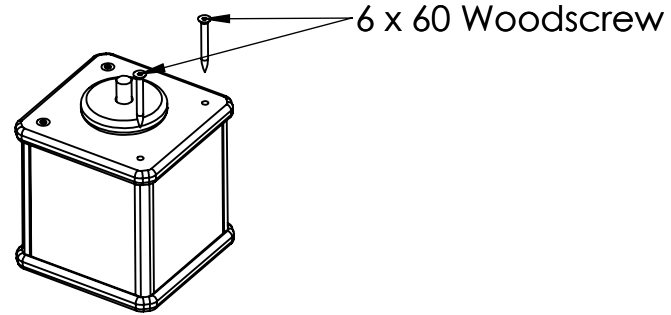
B

B

C

C

D



UNLESS OTHERWISE SPECIFIED:
DIMENSIONS ARE IN MILLIMETERS
WEIGHT ARE IN KILOGRAMM

PART NUMBER / DWG NO.:

AW02K

	NAME	SIGNATURE	DATE	REVISION
DRAWN	I.Agar		30.03.2023	
APPV'D				

DESCRIPTION:

Shop

Tiptiptap^{ÖÜ}

MATERIAL:

wood, metal, plastic

A4

WEIGHT:

SCALE: 1:7

SHEET 12 OF 14

1

2

1

2

3

4

5

6

A

A

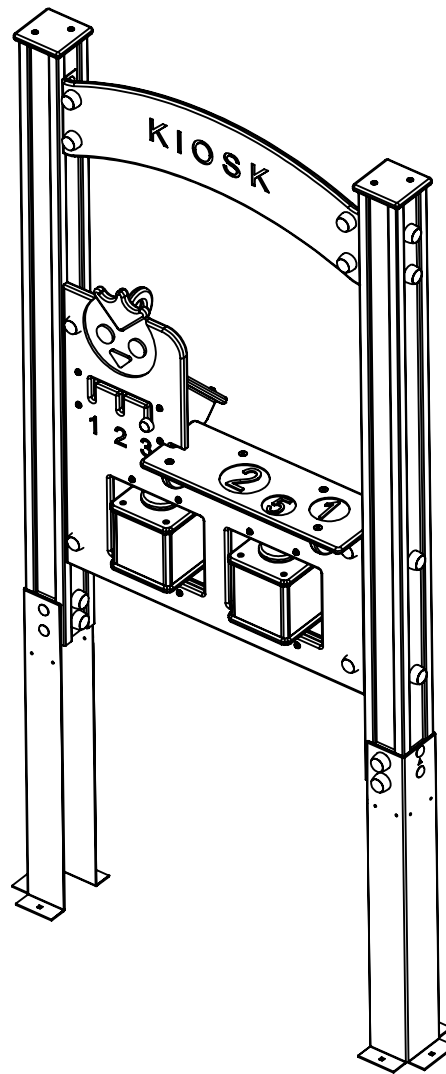
B

B

C

C

D



UNLESS OTHERWISE SPECIFIED:
 DIMENSIONS ARE IN MILLIMETERS
 WEIGHT ARE IN KILOGRAMM

PART NUMBER / DWG NO.:

AW02K

	NAME	SIGNATURE	DATE	REVISION
DRAWN	I.Agar		30.03.2023	
APPV'D				

DESCRIPTION:

Shop



MATERIAL:

wood, metal, plastic

A4

WEIGHT:

SCALE: 1:15

SHEET 13 OF 14

1

2

Panel to post assembly

A

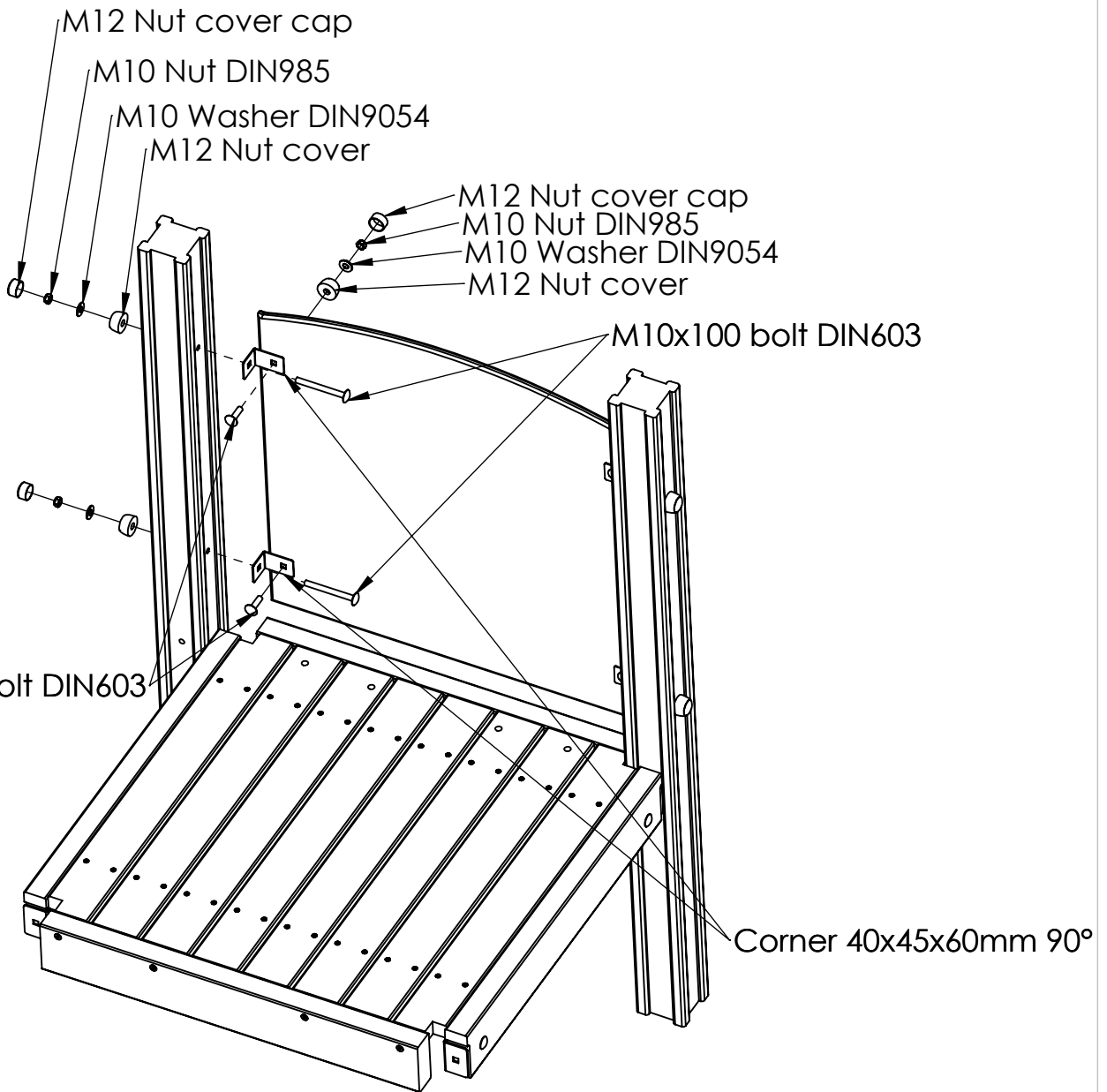
B

C

D

E

F



UNLESS OTHERWISE SPECIFIED:
DIMENSIONS ARE IN MILLIMETERS
WEIGHT ARE IN KILOGRAMM

PART NUMBER / DWG NO.:

AW02K

	NAME	SIGNATURE	DATE	REVISION
DRAWN	I.Agar		30.03.2023	
APPV'D				

DESCRIPTION:

Shop



Tiptiptap ^{OO}

MATERIAL:

wood, metal, plastic

A4

WEIGHT:

SCALE: 1:12

SHEET 14 OF 14