

A

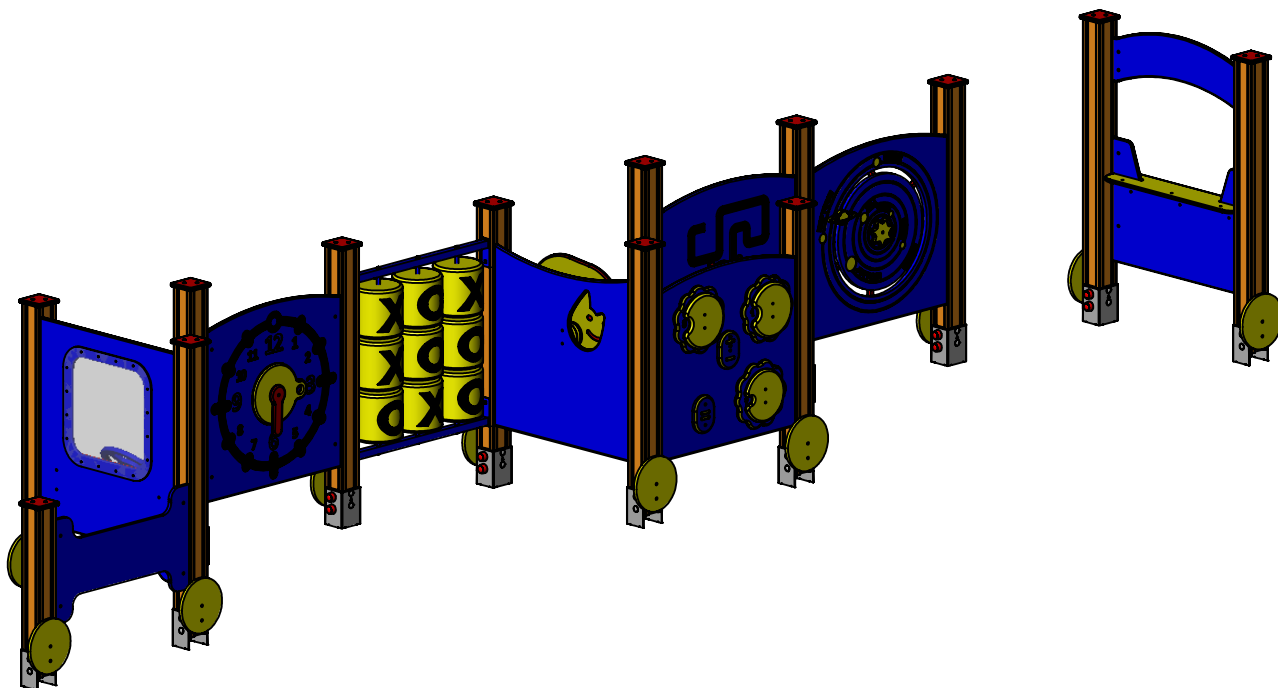
B

C

D

E

F



UNLESS OTHERWISE SPECIFIED:
 DIMENSIONS ARE IN MILLIMETERS
 WEIGHT ARE IN KILOGRAMM

PART NUMBER / DWG NO.:

AW15

	NAME	SIGNATURE	DATE	REVISION
DRAWN	I.Agar		25.11.2020	
APPV'D				

DESCRIPTION:

Activity train



Tiptiptap OÜ

Tiptiptap OÜ
 Veetorni 9,
 Jüri alevik, Rae vald,
 75301 Harjumaa

MATERIAL:

wood, metal, plastic

A4

WEIGHT:

SCALE: 1:30

SHEET 1 OF 13

Safety area

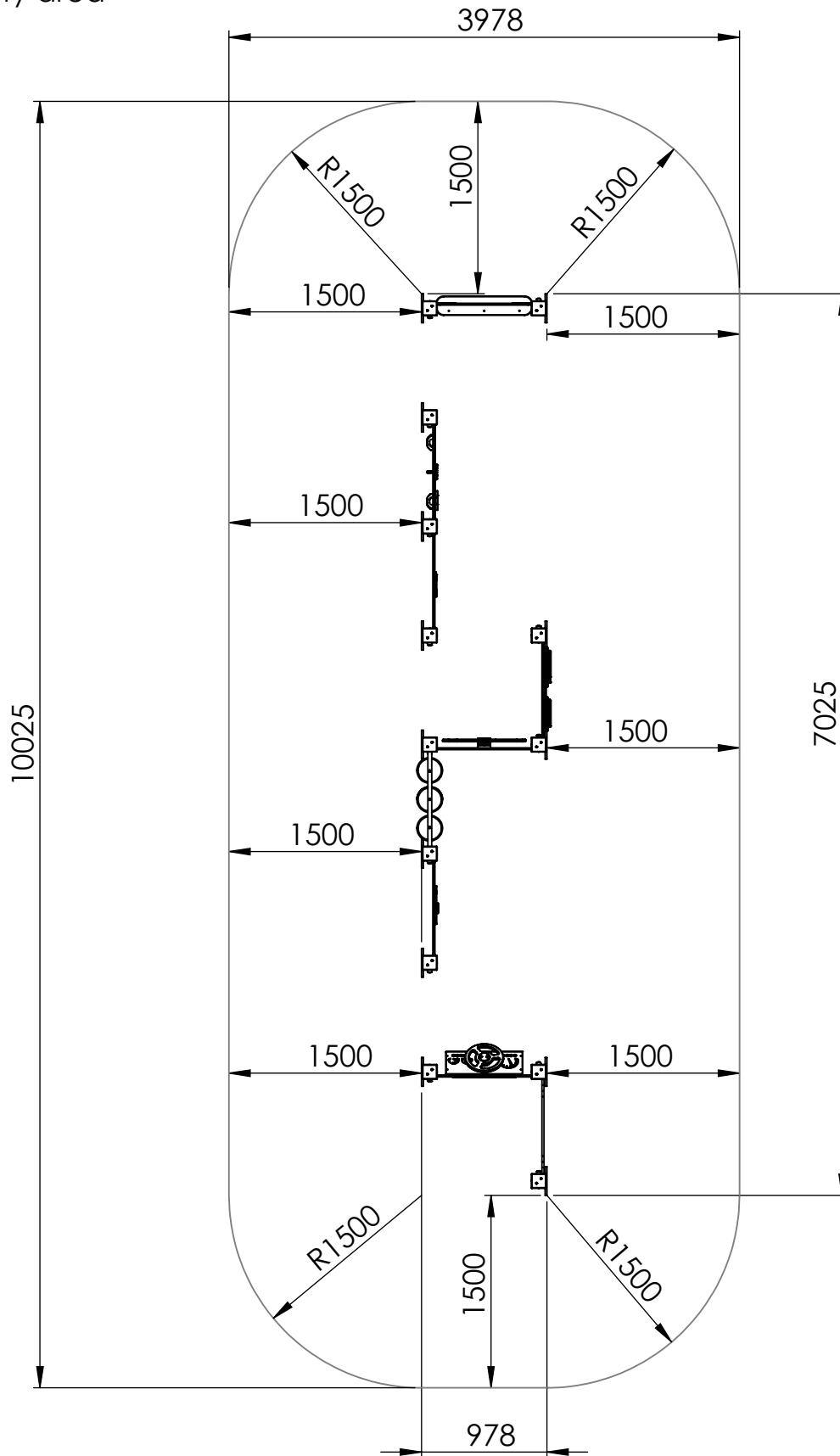
A

B

C

D

E



UNLESS OTHERWISE SPECIFIED:
DIMENSIONS ARE IN MILLIMETERS
WEIGHT ARE IN KILOGRAMM

PART NUMBER / DWG NO.:

AW15

	NAME	SIGNATURE	DATE	REVISION
DRAWN	I.Agar		25.11.2020	
APPV'D				

DESCRIPTION:

Activity train

F



Tiptiptap OÜ

Tiptiptap OÜ
Veetorni 9,
Jüri alevik, Rae vald,
75301 Harjumaa

MATERIAL:

wood, metal, plastic

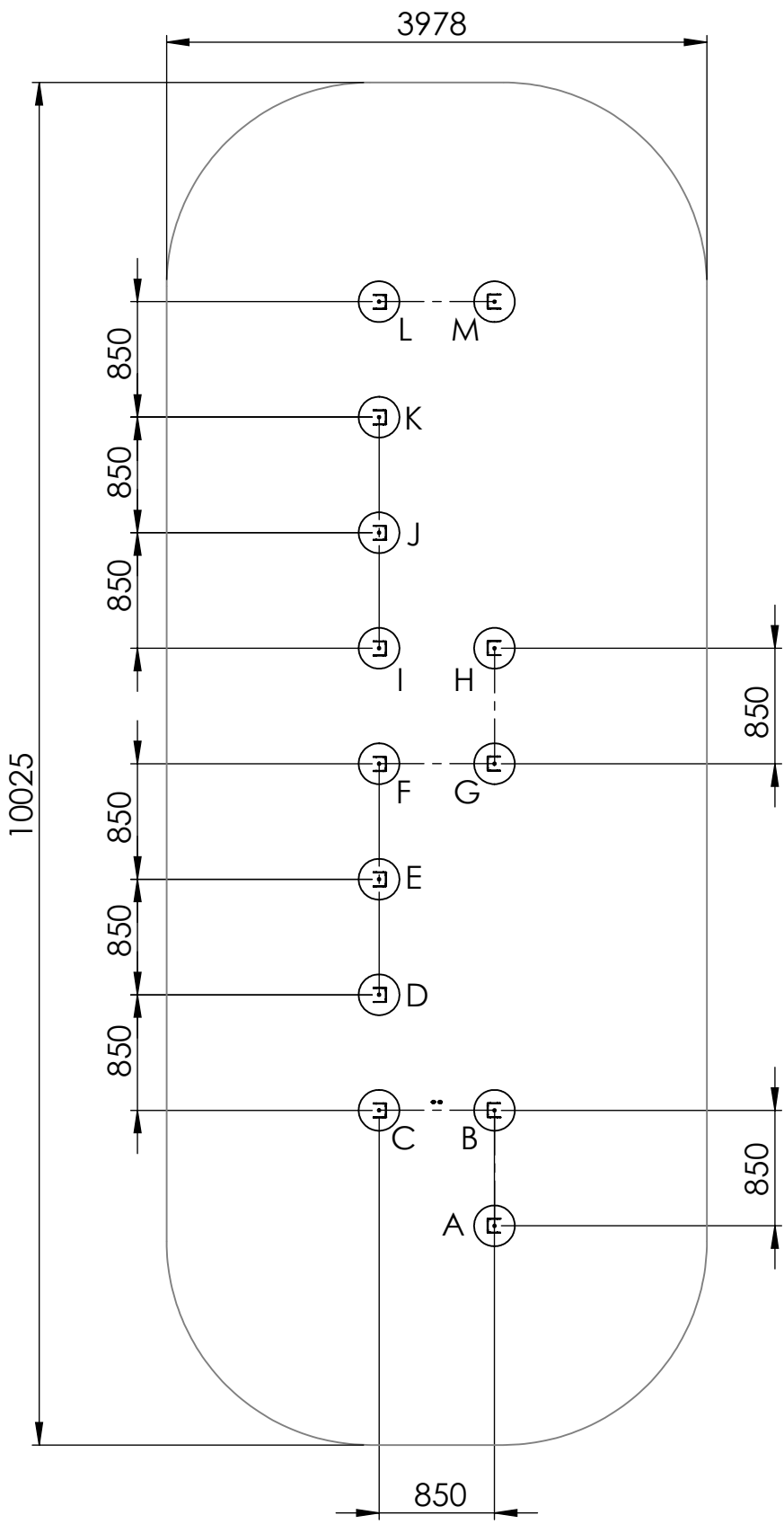
A4

WEIGHT:

SCALE: 1:50

SHEET 2 OF 13

A
B
C
D
E



UNLESS OTHERWISE SPECIFIED:
 DIMENSIONS ARE IN MILLIMETERS
 WEIGHT ARE IN KILOGRAMM

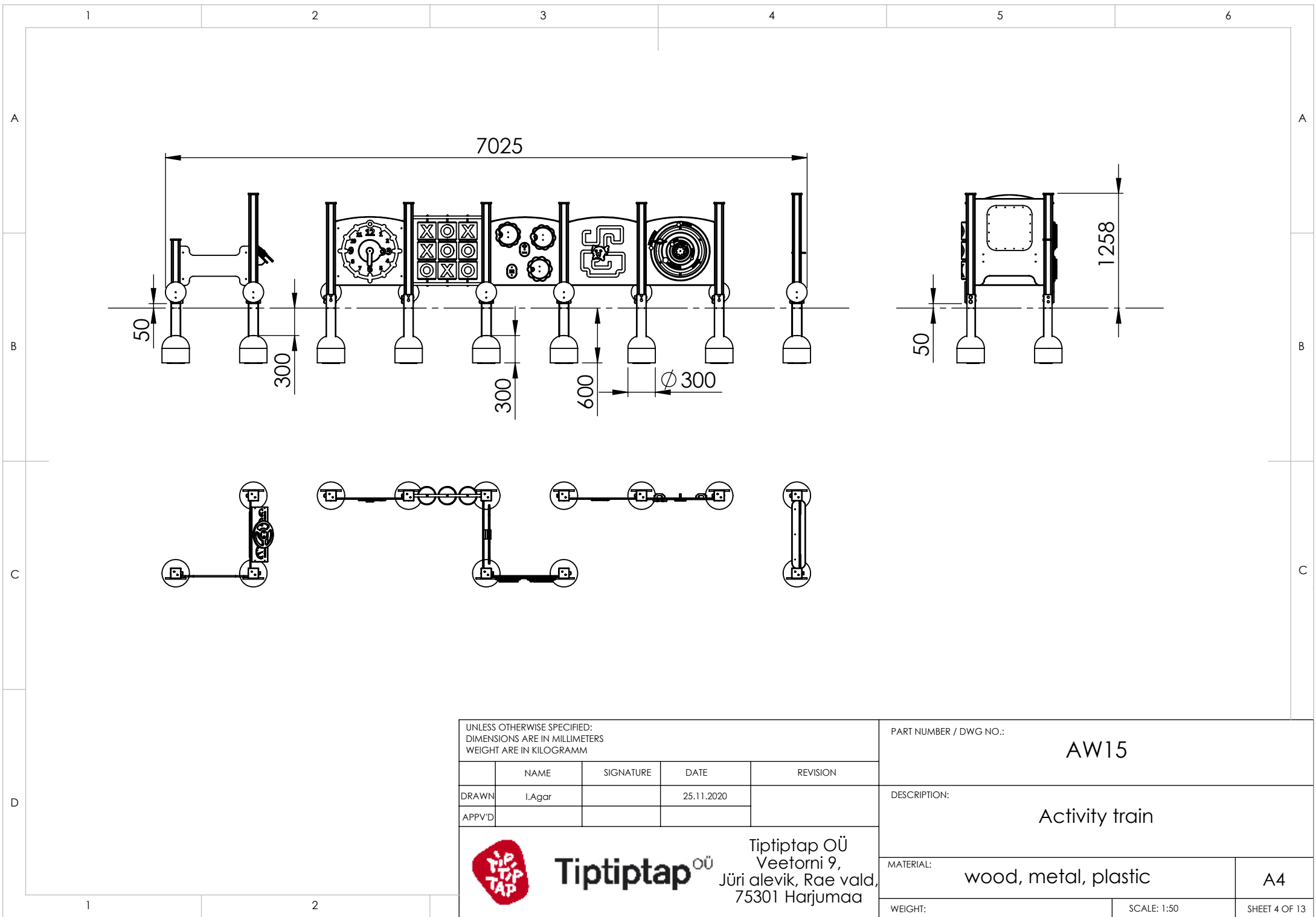
PART NUMBER / DWG NO.:
AW15

	NAME	SIGNATURE	DATE	REVISION
DRAWN	I.Agar		25.11.2020	
APPV'D				

DESCRIPTION:
Activity train

 **Tiptaptap** OÜ
 Veetorni 9,
 Jüri alevik, Rae vald,
 75301 Harjumaa

MATERIAL:	wood, metal, plastic	A4
WEIGHT:		SCALE: 1:50
		SHEET 3 OF 13



UNLESS OTHERWISE SPECIFIED:
 DIMENSIONS ARE IN MILLIMETERS
 WEIGHT ARE IN KILOGRAMM

	NAME	SIGNATURE	DATE	REVISION
DRAWN	I.Agar		25.11.2020	
APPV'D				

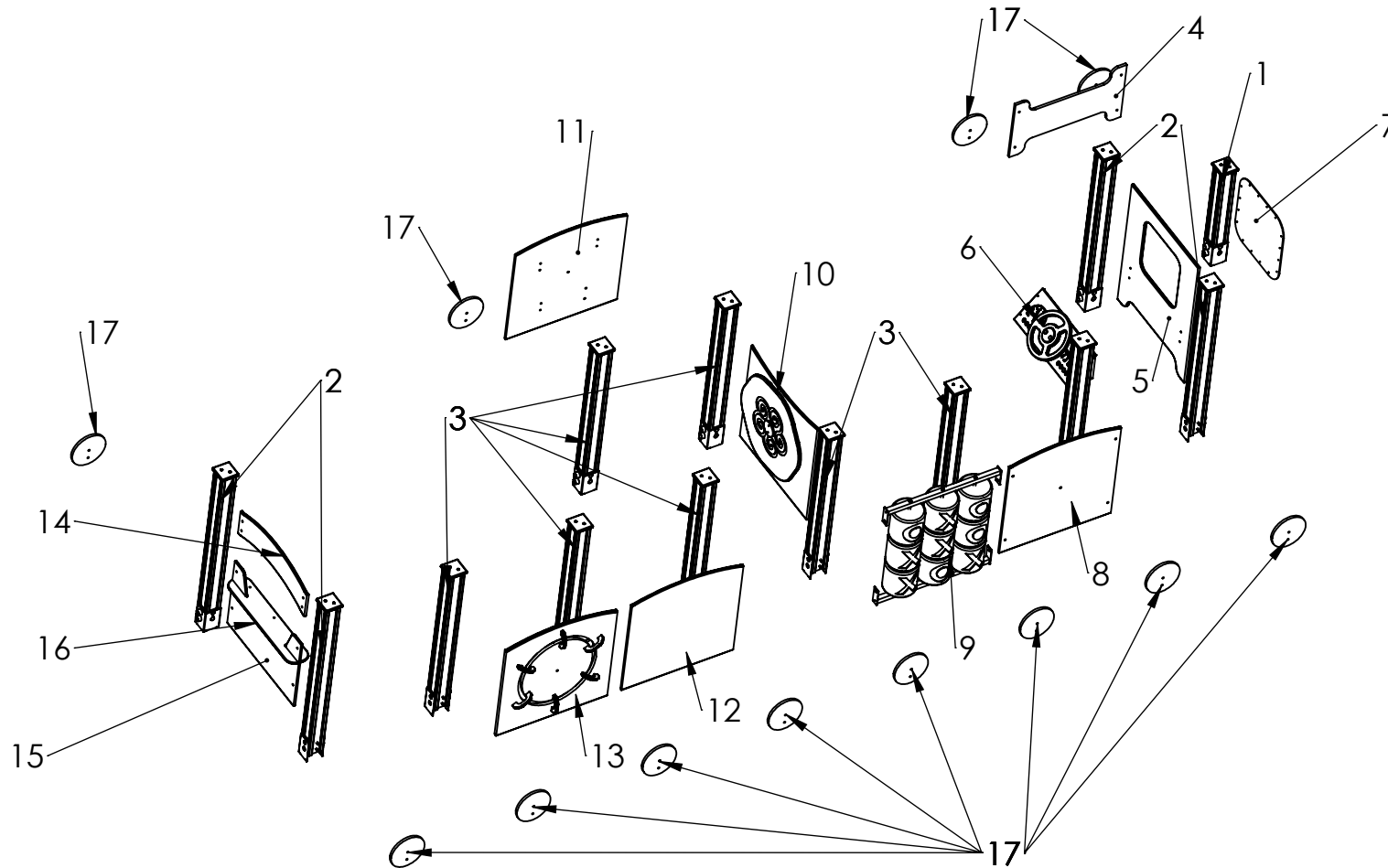
PART NUMBER / DWG NO.:
AW15

DESCRIPTION:
Activity train



Tiptaptap OÜ
 Veetorni 9,
 Jüri alevik, Rae vald,
 75301 Harjumaa

MATERIAL:	wood, metal, plastic	A4
WEIGHT:	SCALE: 1:50	SHEET 4 OF 13



UNLESS OTHERWISE SPECIFIED:
 DIMENSIONS ARE IN MILLIMETERS
 WEIGHT ARE IN KILOGRAMM

PART NUMBER / DWG NO.: **AW15**

	NAME	SIGNATURE	DATE	REVISION
DRAWN	I.Agar		25.11.2020	
APPV'D				

DESCRIPTION:
Activity train



Tiptaptap OÜ
 Veetorni 9,
 Jüri alevik, Rae vald,
 75301 Harjumaa

MATERIAL:	wood, metal, plastic	A4
WEIGHT:		SCALE: 1:40
		SHEET 5 OF 13

	1	2	3	4
	ITEM NO.	PART NUMBER	DESCRIPTION	QTY.
A	1	98x98x700	laminated wood	1
	2	98x98x1200	laminated wood	4
	3	98x98x1100	laminated wood	8
B	4	AW15 nouse panel	HDPE plastic	1
	5	AW15 panel with window	HDPE plastic	1
	6	Cockpit 2	HDPE plastic	1
	7	AW15 window glass	Plastic	1
C	8	AW15 clock panel	HDPE plastic	1
	9	OXO spinner	painted steel, plastic	1
	10	AW15 emotions panel	HDPE plastic	1
D	11	AW15 calculation panel	HDPE plastic	1
	12	AW15 flyer panel	HDPE plastic	1
	13	AW15 solar system panel	HDPE plastic	1
	14	AW15 shop upper panel	HDPE plastic	1
E	15	AW15 shop panel	HDPE plastic	1
	16	AW15 shop panel tabel	HDPE plastic	1
	17	AW15 wheel	HDPE plastic	13

UNLESS OTHERWISE SPECIFIED:
DIMENSIONS ARE IN MILLIMETERS
WEIGHT ARE IN KILOGRAMM

PART NUMBER / DWG NO.:

AW15

	NAME	SIGNATURE	DATE	REVISION
DRAWN	I.Agar		25.11.2020	
APPV'D				

DESCRIPTION:

Activity train

MATERIAL:

wood, metal, plastic

A4

WEIGHT:

SCALE: 1:40

SHEET 6 OF 13



Tiptiptap OÜ

Tiptiptap OÜ
Veetorni 9,
Jüri alevik, Rae vald,
75301 Harjumaa

A

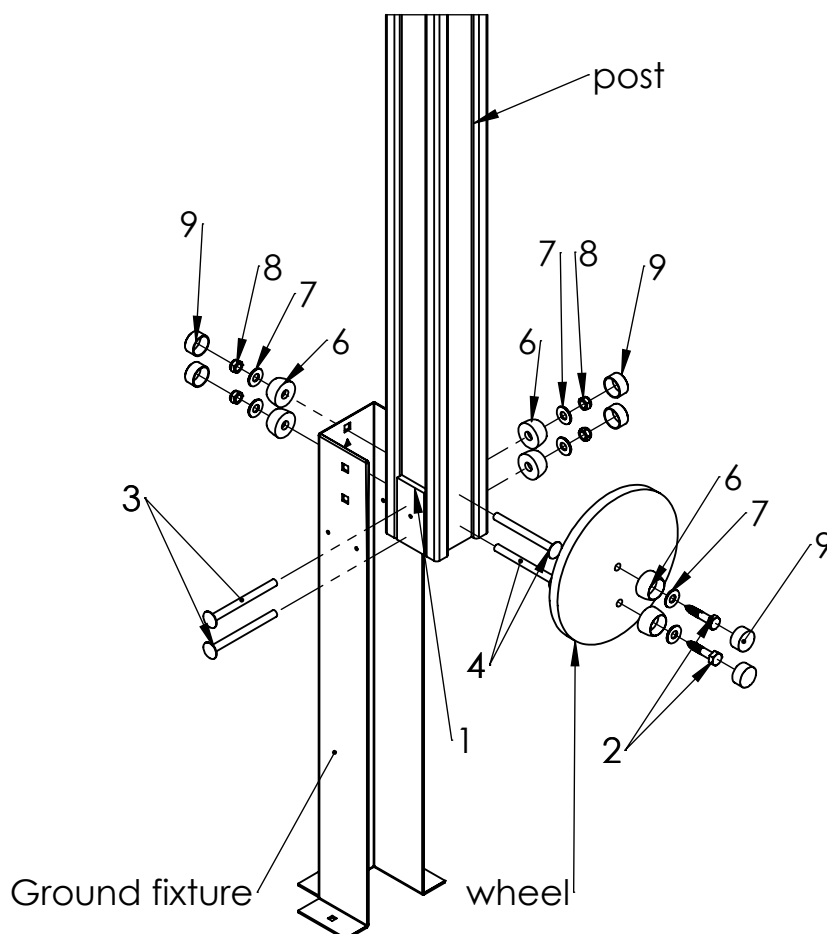
B

C

D

E

F



Ground fixture shall be attached to the post and additional plastics shall be placed between the post and the ground fixture. The last step you need to do is attach the wheels to the post!

ITEM NO.	PART NUMBER
1	Post additional plastic
2	wood screw DIN571 10x50
3	bolt DIN603 M10x120
4	bolt DIN603 M10x110
5	Woodscrew 6 x 90
6	nut cover M12
7	Washer M10 DIN9054
8	nut DIN985 M10
9	nut cover cap M12

UNLESS OTHERWISE SPECIFIED:
DIMENSIONS ARE IN MILLIMETERS
WEIGHT ARE IN KILOGRAMM

PART NUMBER / DWG NO.:

AW15

	NAME	SIGNATURE	DATE	REVISION
DRAWN	I.Agar		25.11.2020	
APPV'D				

DESCRIPTION:

Activity train

MATERIAL:

wood, metal, plastic

A4

WEIGHT:

SCALE: 1:10

SHEET 7 OF 13



Tiptiptap OÜ

Tiptiptap OÜ
Veetorni 9,
Jüri alevik, Rae vald,
75301 Harjumaa

A

B

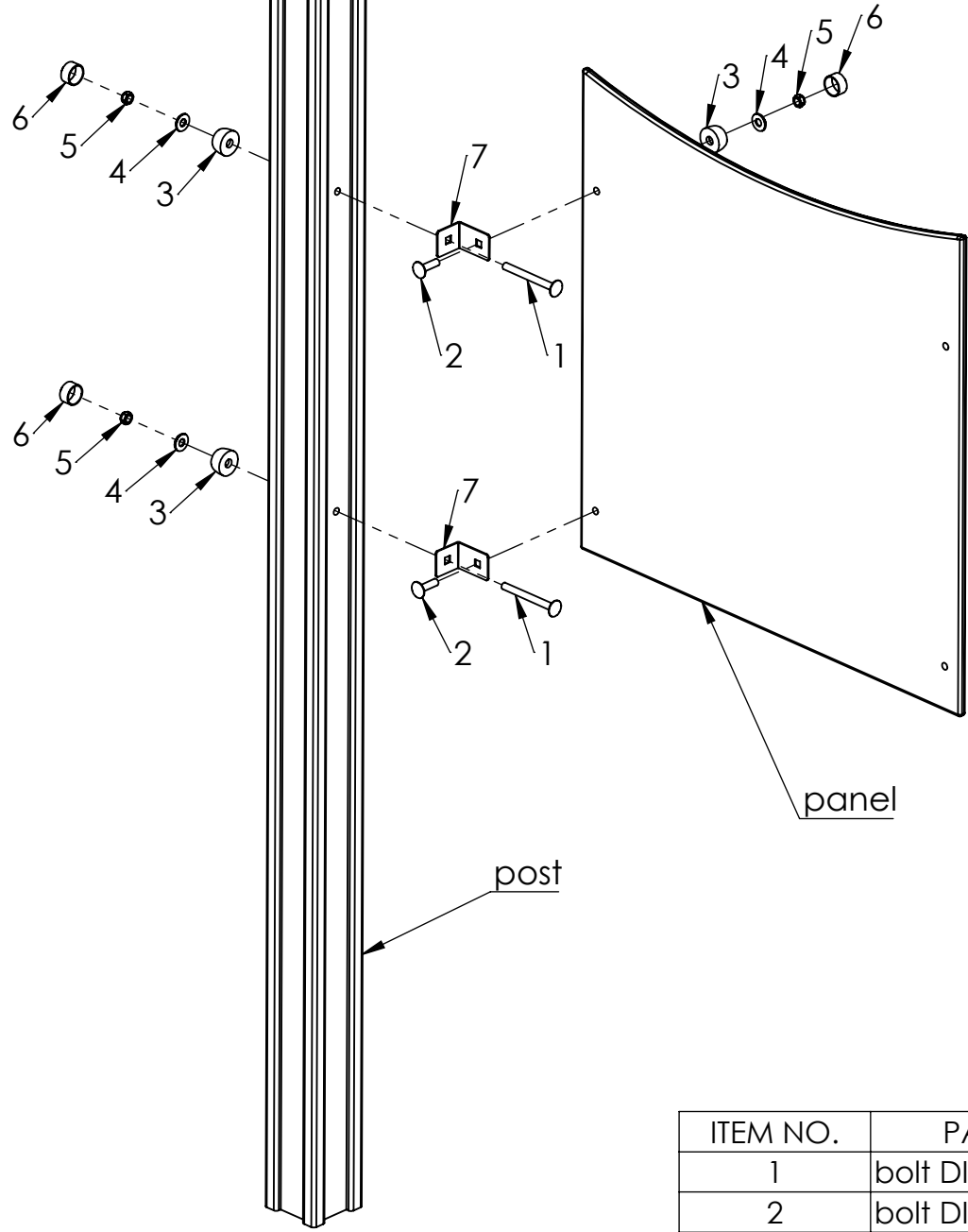
C

D

E

F

In the case of plastic, the post cap is fixed with a 6x60 screw and in the case of a wooden post with a 6x90 screw



ITEM NO.	PART NUMBER
1	bolt DIN603 M10x100
2	bolt DIN603 M10x35
3	nut cover M12
4	Washer M10 DIN9054
5	nut DIN985 M10
6	nut cover cap M12
7	Corner 90° (45x60)

UNLESS OTHERWISE SPECIFIED: DIMENSIONS ARE IN MILLIMETERS WEIGHT ARE IN KILOGRAMM				
	NAME	SIGNATURE	DATE	REVISION
DRAWN	I.Agar		25.11.2020	
APPV'D				

PART NUMBER / DWG NO.: **AW15**

DESCRIPTION:
Activity train connecting panel to post



Tiptaptap OÜ

Tiptaptap OÜ
Veetorni 9,
Jüri alevik, Rae vald,
75301 Harjumaa

MATERIAL: wood, metal, plastic

A4

WEIGHT: SCALE: 1:10 SHEET 8 OF 13

A

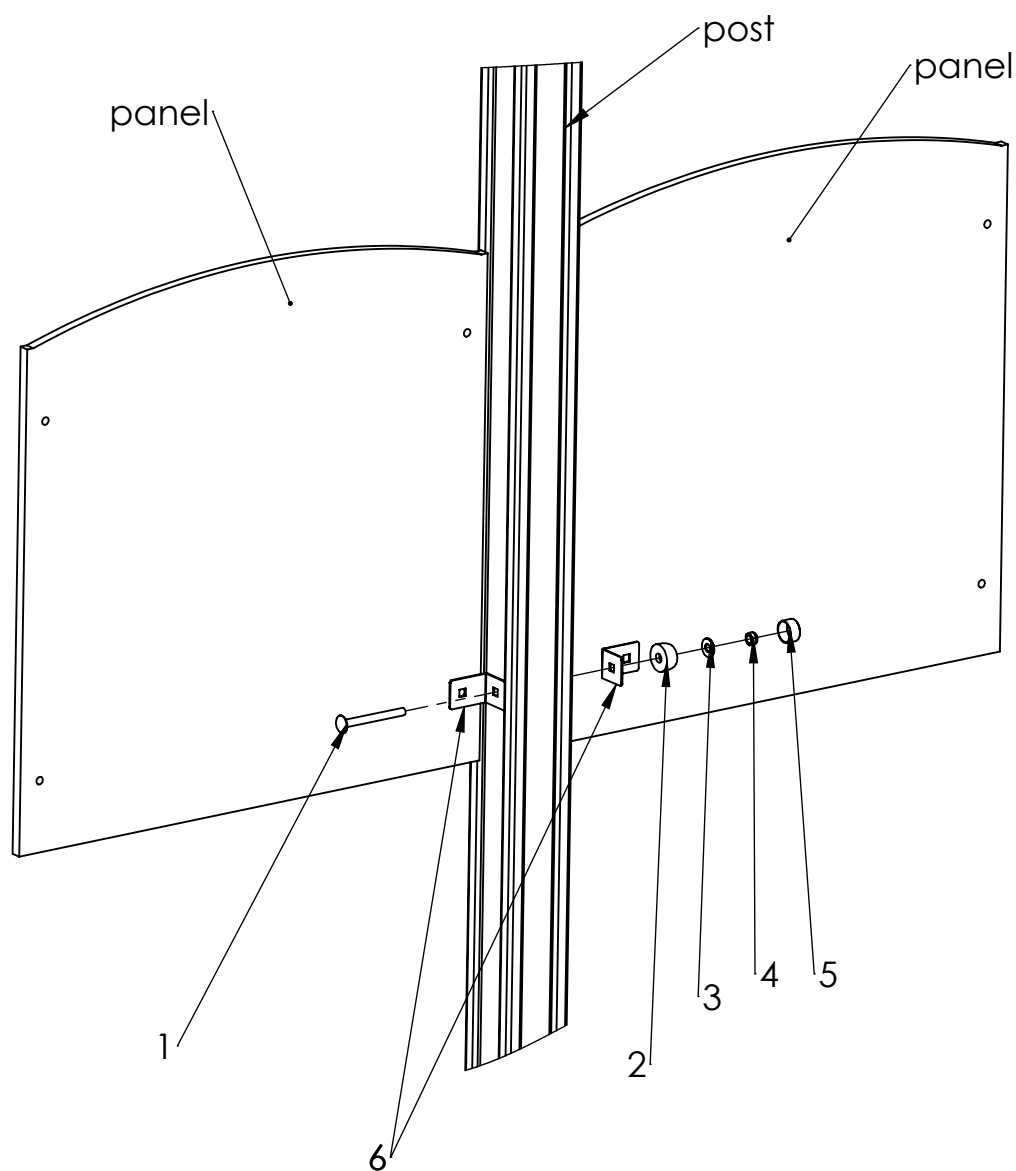
B

C

D

E

F



ITEM NO.	PART NUMBER
1	bolt DIN603 M10x100
2	nut cover M12
3	Washer M10 DIN9054
4	nut DIN985 M10
5	nut cover cap M12
6	Corner 90° (45x60)

UNLESS OTHERWISE SPECIFIED:
DIMENSIONS ARE IN MILLIMETERS
WEIGHT ARE IN KILOGRAMM

PART NUMBER / DWG NO.:

AW15

	NAME	SIGNATURE	DATE	REVISION
DRAWN	I.Agar		25.11.2020	
APPV'D				

DESCRIPTION:

Activity train

MATERIAL:

wood, metal, plastic

A4

WEIGHT:

SCALE: 1:10

SHEET 9 OF 13



Tiptiptap OÜ

Tiptiptap OÜ
Veetorni 9,
Jüri alevik, Rae vald,
75301 Harjumaa

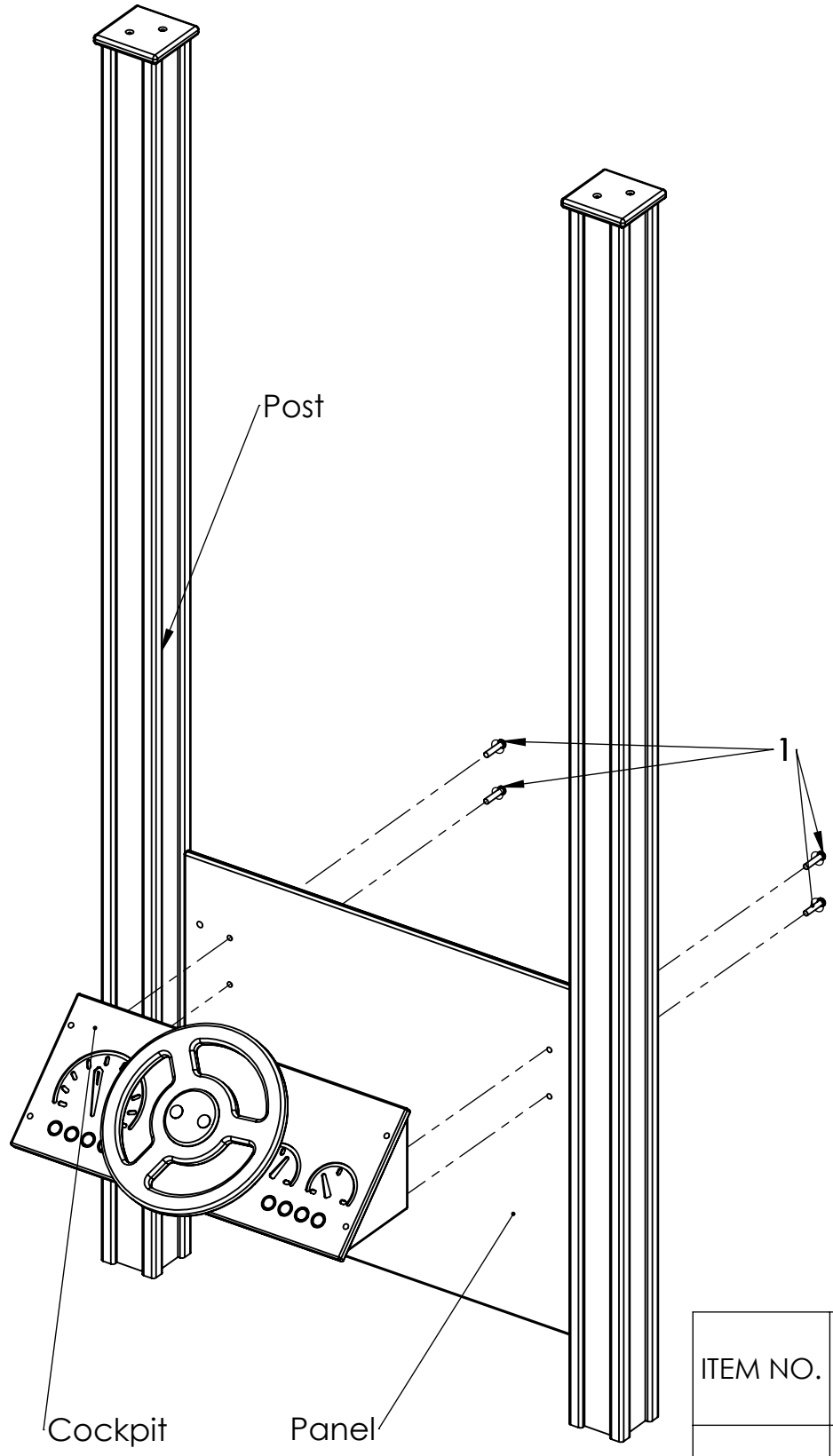
A

B

C

D

E



Post

Cockpit

Panel

ITEM NO.	PART NUMBER	QTY.
1	Art. 9121 TX-PIN M8x40	4

UNLESS OTHERWISE SPECIFIED:
DIMENSIONS ARE IN MILLIMETERS
WEIGHT ARE IN KILOGRAMM

	NAME	SIGNATURE	DATE	REVISION
DRAWN	I.Agar		25.11.2020	
APPV'D				

PART NUMBER / DWG NO.:
AW15

DESCRIPTION:
**Activity train
Connecting cockpit to panel**

 **Tiptaptap** OÜ
Veetorni 9,
Jüri alevik, Rae vald,
75301 Harjumaa

MATERIAL: wood, metal, plastic	A4
WEIGHT:	SCALE: 1:10
SHEET 10 OF 13	

A

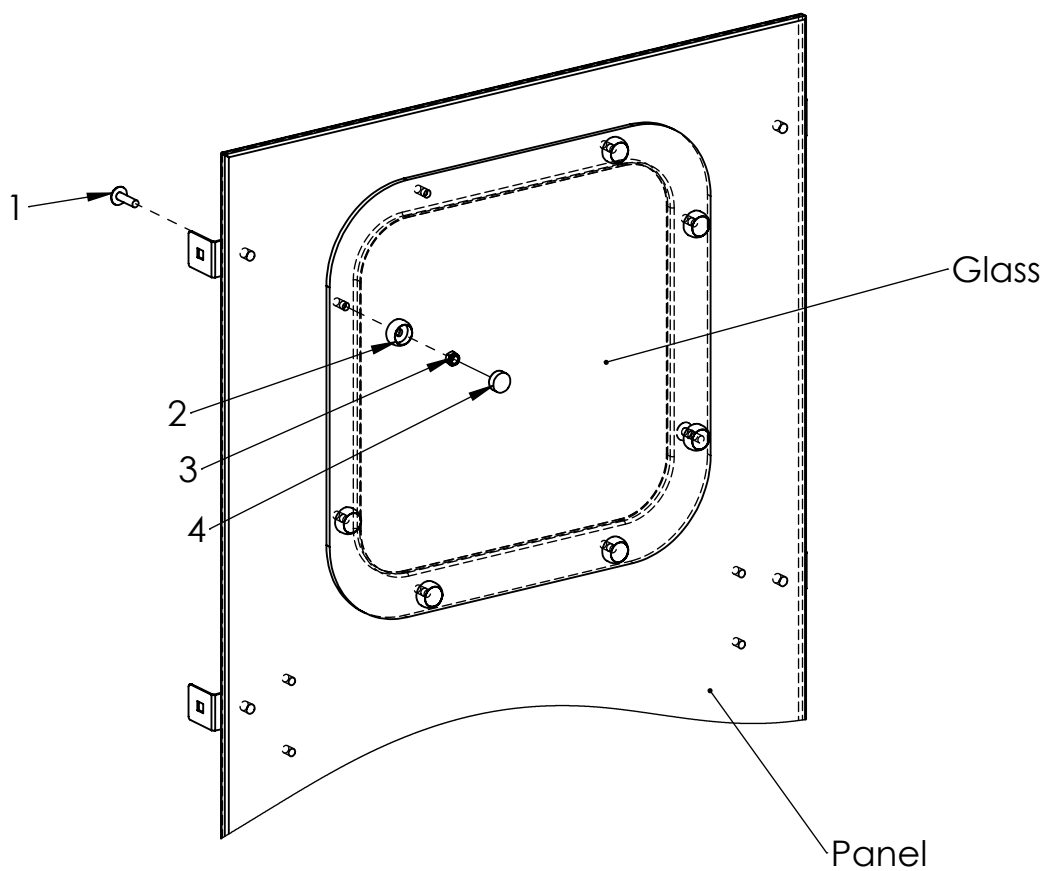
B

C

D

E

F



ITEM NO.	PART NUMBER
1	bolt DIN603 M8x30
2	nut cover M8
3	nut DIN985 M8
4	nut cover cap M8

UNLESS OTHERWISE SPECIFIED:
DIMENSIONS ARE IN MILLIMETERS
WEIGHT ARE IN KILOGRAMM

PART NUMBER / DWG NO.:

AW15

	NAME	SIGNATURE	DATE	REVISION
DRAWN	I.Agar		25.11.2020	
APPV'D				

DESCRIPTION:

Activity train
Fixing glass to panel

MATERIAL:

wood, metal, plastic

A4

WEIGHT:

SCALE: 1:8

SHEET 11 OF 13



Tiptiptap OÜ

Tiptiptap OÜ
Veetorni 9,
Jüri alevik, Rae vald,
75301 Harjumaa

A

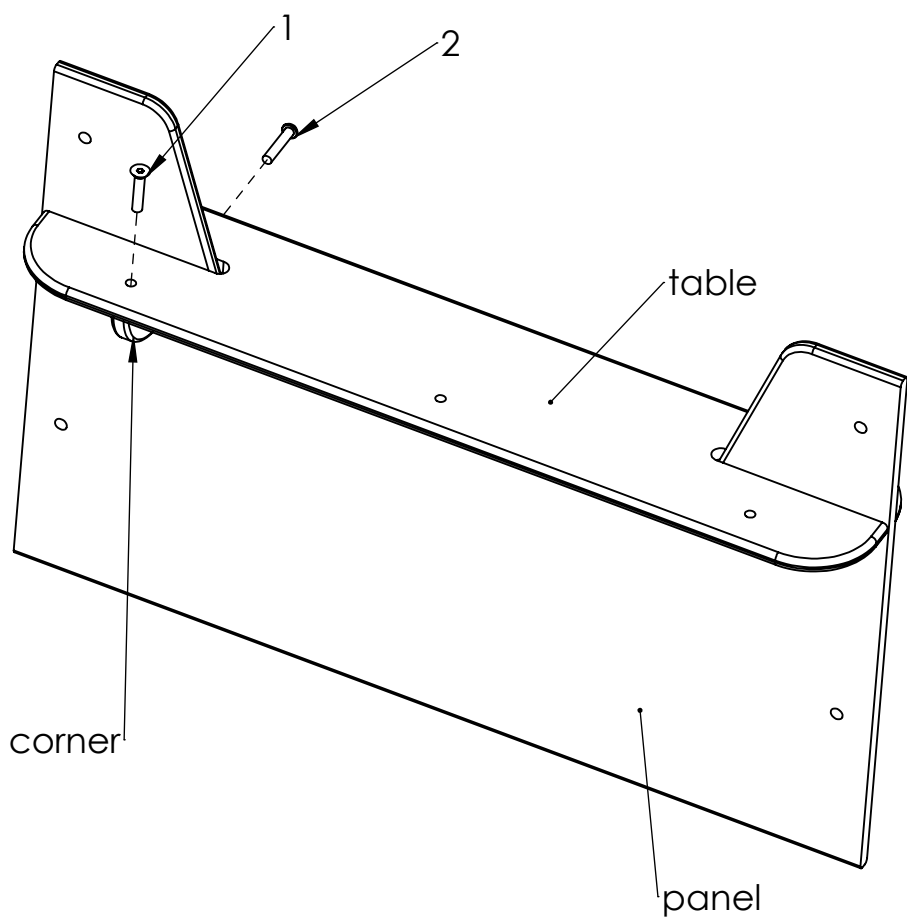
B

C

D

E

F



60x60 plastic corner

table

panel

ITEM NO.	PART NUMBER
1	M8x40 DIN7991
2	Art. 9121 TX-PIN M8x40

UNLESS OTHERWISE SPECIFIED:
 DIMENSIONS ARE IN MILLIMETERS
 WEIGHT ARE IN KILOGRAMM

	NAME	SIGNATURE	DATE	REVISION
DRAWN	I.Agar		25.11.2020	
APPV'D				

PART NUMBER / DWG NO.:
AW15

DESCRIPTION:
Activity train



Tiptiptap OÜ
 Veetorni 9,
 Jüri alevik, Rae vald,
 75301 Harjumaa

MATERIAL:	wood, metal, plastic	A4
WEIGHT:	SCALE: 1:6	SHEET 12 OF 13

A

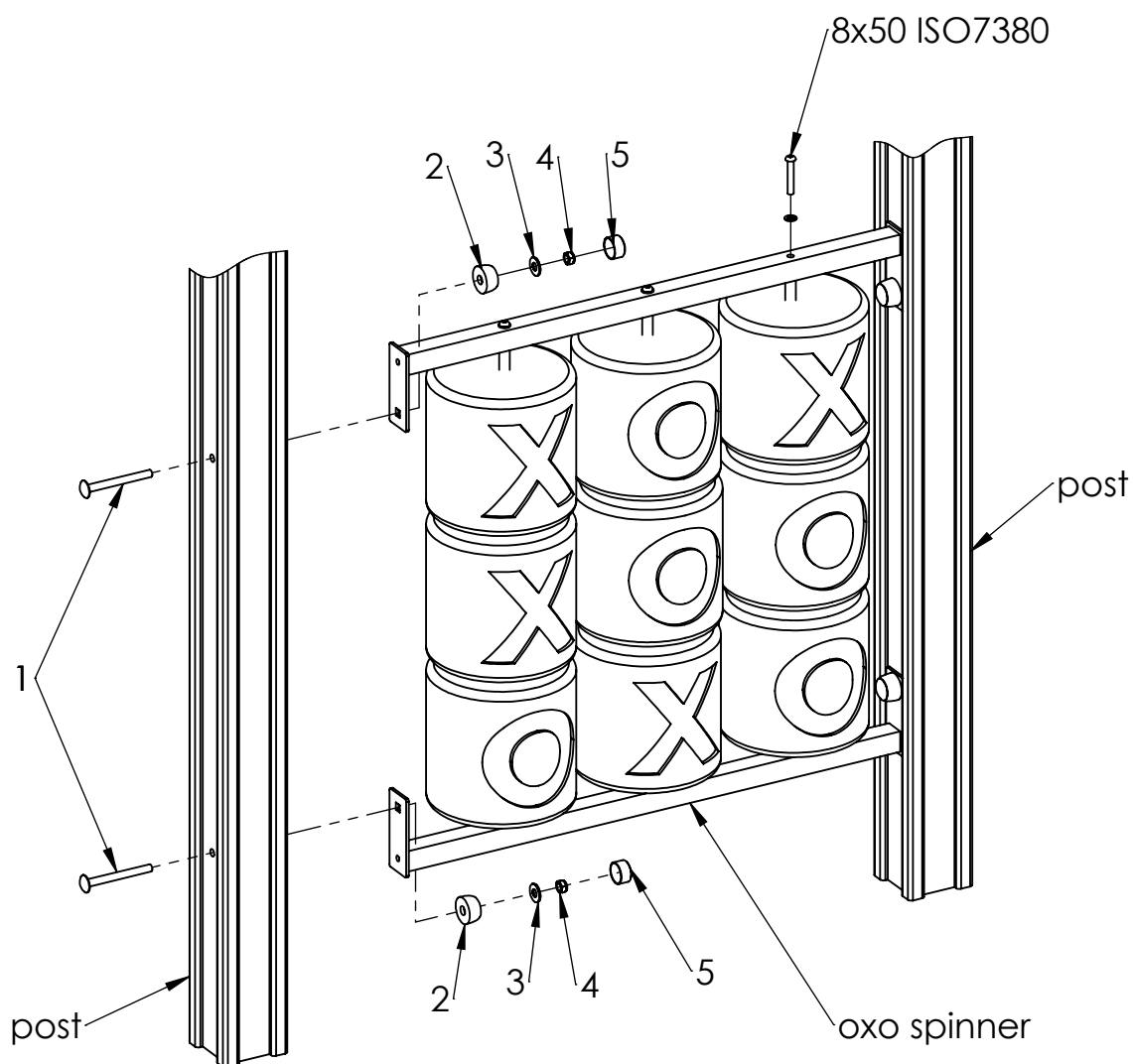
B

C

D

E

F



ITEM NO.	PART NUMBER
1	bolt DIN603 M10x100
2	nut cover M12
3	Washer M10 DIN9054
4	nut DIN985 M10
5	nut cover cap M12

UNLESS OTHERWISE SPECIFIED:
DIMENSIONS ARE IN MILLIMETERS
WEIGHT ARE IN KILOGRAMM

PART NUMBER / DWG NO.:

AW15

	NAME	SIGNATURE	DATE	REVISION
DRAWN	I.Agar			
APPV'D				

DESCRIPTION:

Activity train
connecting oxo spinner to post

MATERIAL:

wood, metal, plastic

A4

WEIGHT:

SCALE: 1:10

SHEET 13 OF 13



Tiptiptap OÜ

Tiptiptap OÜ
Veetorni 9,
Jüri alevik, Rae vald,
75301 Harjumaa