

A

B

C

D

E

F



UNLESS OTHERWISE SPECIFIED:
 DIMENSIONS ARE IN MILLIMETERS
 WEIGHT ARE IN KILOGRAMM

PART NUMBER / DWG NO.:

OCT104

	NAME	SIGNATURE	DATE	REVISION
DRAWN	M. Kalamees		10/07/2023	
APPV'D				

DESCRIPTION:

Climbing complex



Tiptiptap^{OU}

WEIGHT:

SCALE: 1:50

A4

SHEET 1 OF 19

safety area

A

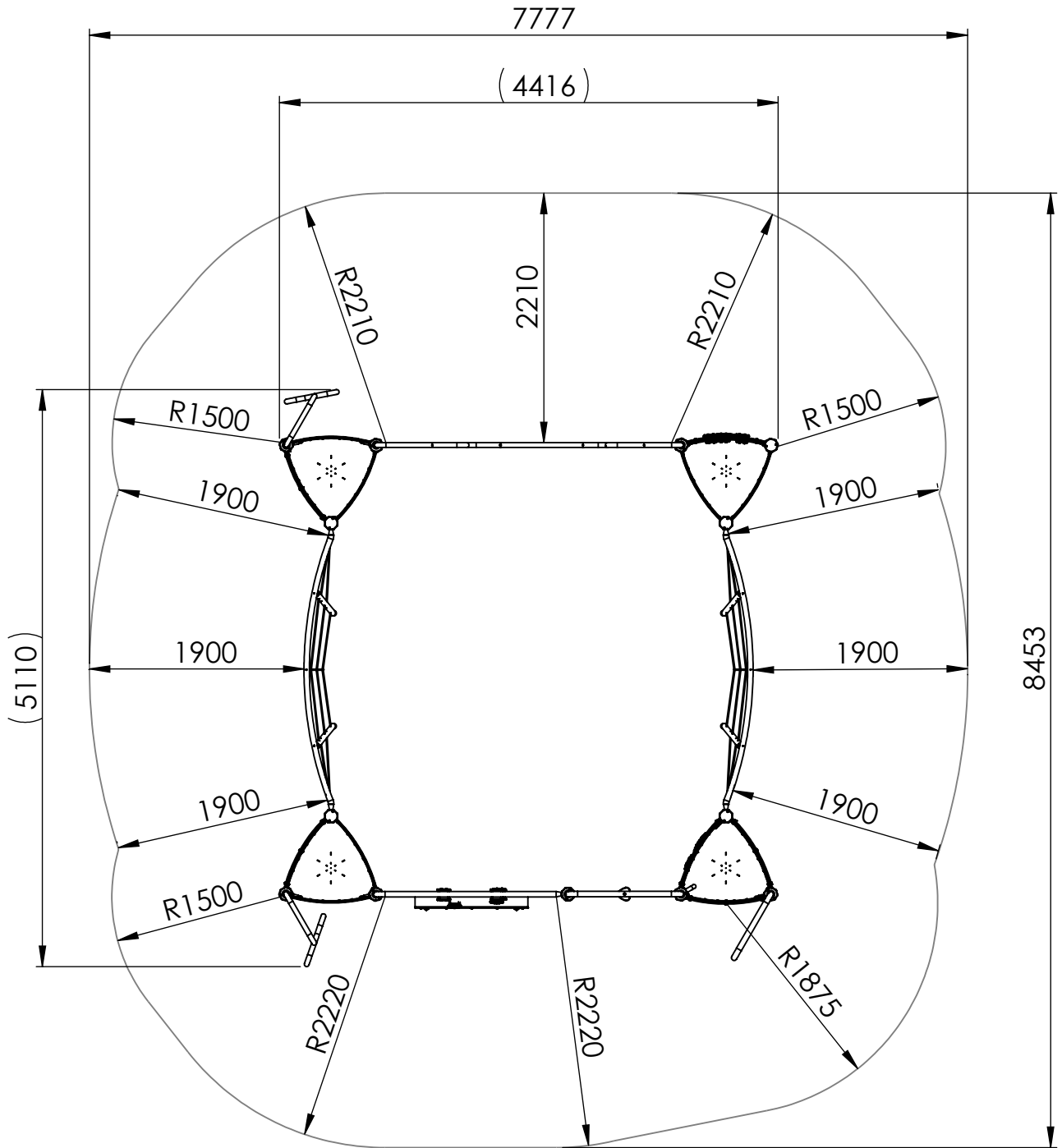
B

C

D

E

F



UNLESS OTHERWISE SPECIFIED:
DIMENSIONS ARE IN MILLIMETERS
WEIGHT ARE IN KILOGRAMM

PART NUMBER / DWG NO.:
OCT104

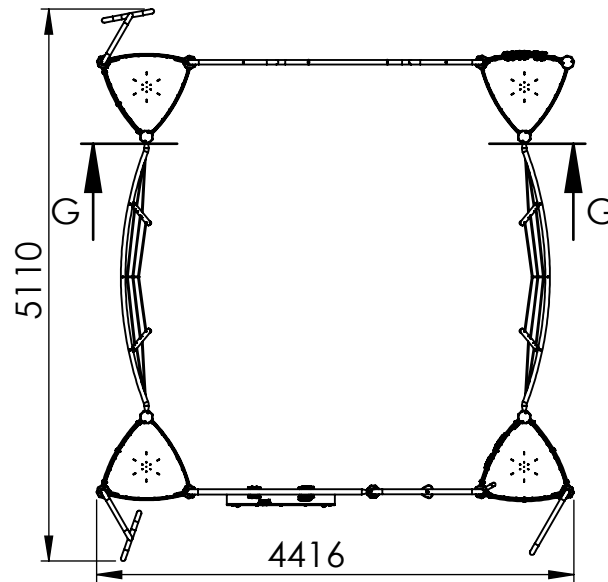
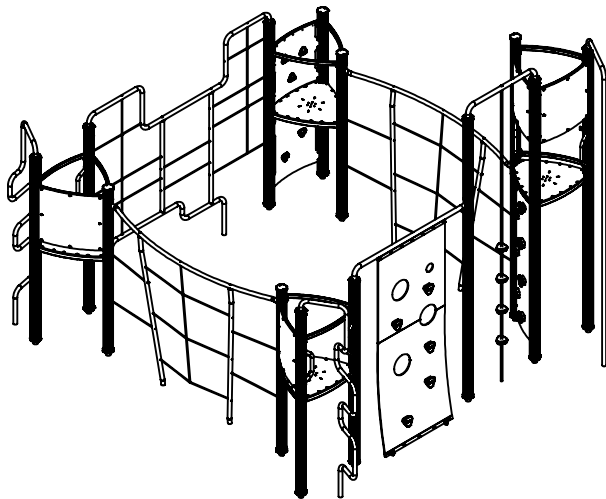
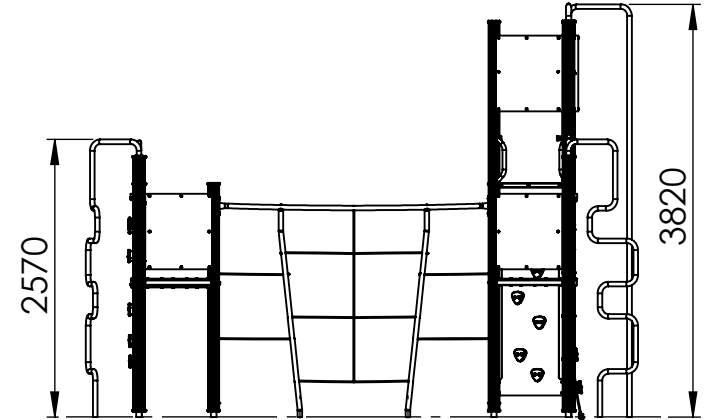
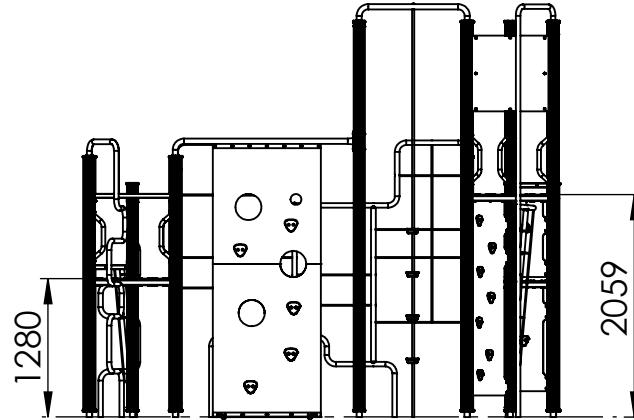
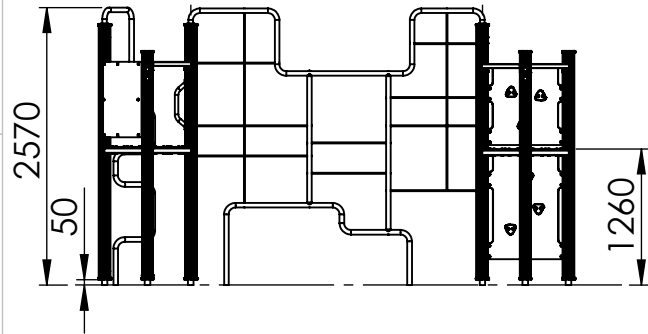
	NAME	SIGNATURE	DATE	REVISION
DRAWN	M. Kalamees		10/07/2023	
APPV'D				

DESCRIPTION:
Climbing complex



WEIGHT:	SCALE: 1:55	A4
		SHEET 2 OF 19

SECTION G-G



UNLESS OTHERWISE SPECIFIED:
DIMENSIONS ARE IN MILLIMETERS
WEIGHT ARE IN KILOGRAMM

	NAME	SIGNATURE	DATE	REVISION
DRAWN	M. Kalamees		10/07/2023	
APPV'D				

PART NUMBER / DWG NO.:

OCT104

DESCRIPTION:

Climbing complex



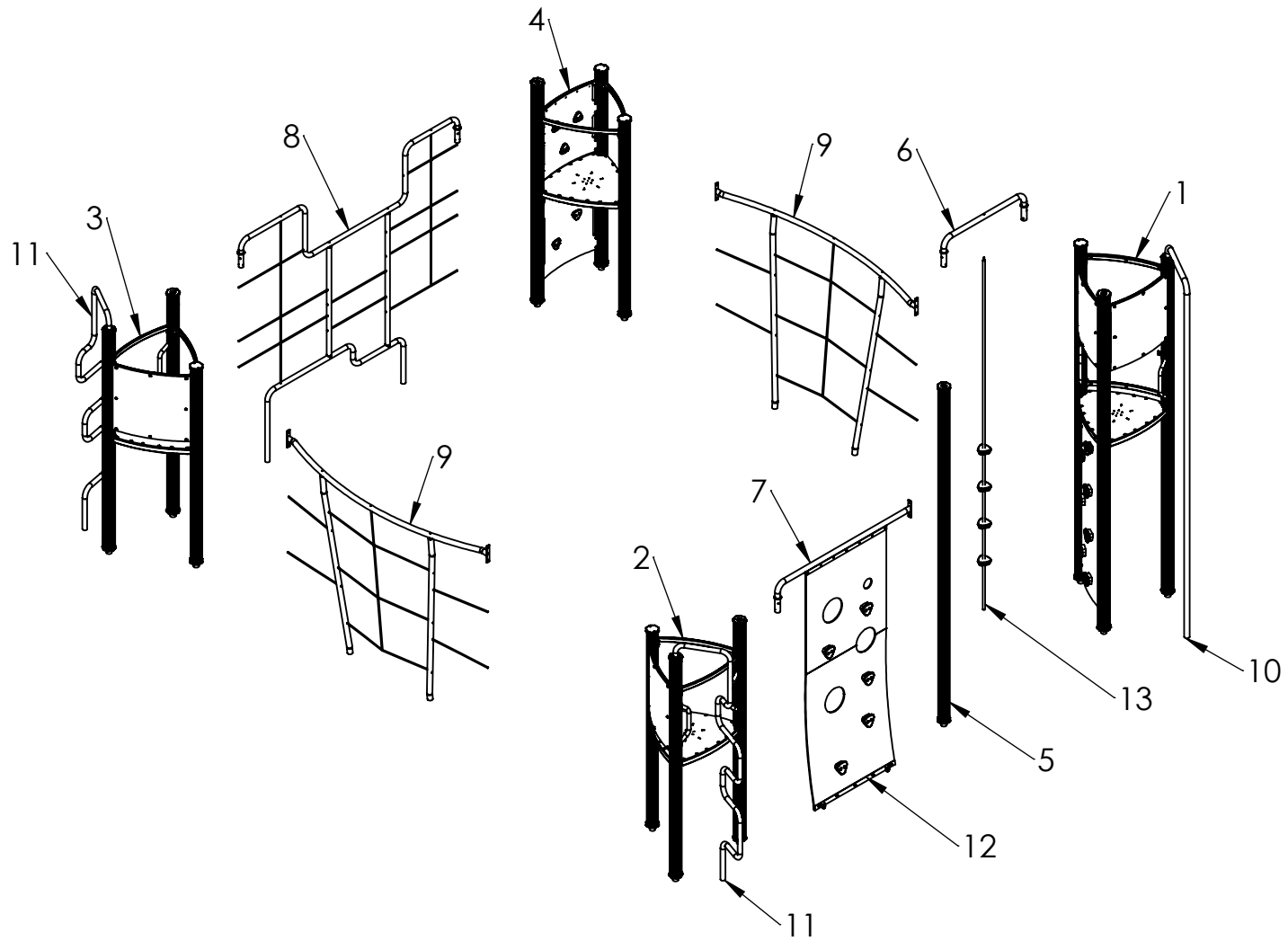
Tiptiptap^{OO}

WEIGHT:

SCALE: 1:100

A4

SHEET 5 OF 19



UNLESS OTHERWISE SPECIFIED:
 DIMENSIONS ARE IN MILLIMETERS
 WEIGHT ARE IN KILOGRAMM

PART NUMBER / DWG NO.: **OCT104**

	NAME	SIGNATURE	DATE	REVISION
DRAWN	M. Kalamees		10/07/2023	
APPV'D				


DESCRIPTION:
Climbing complex

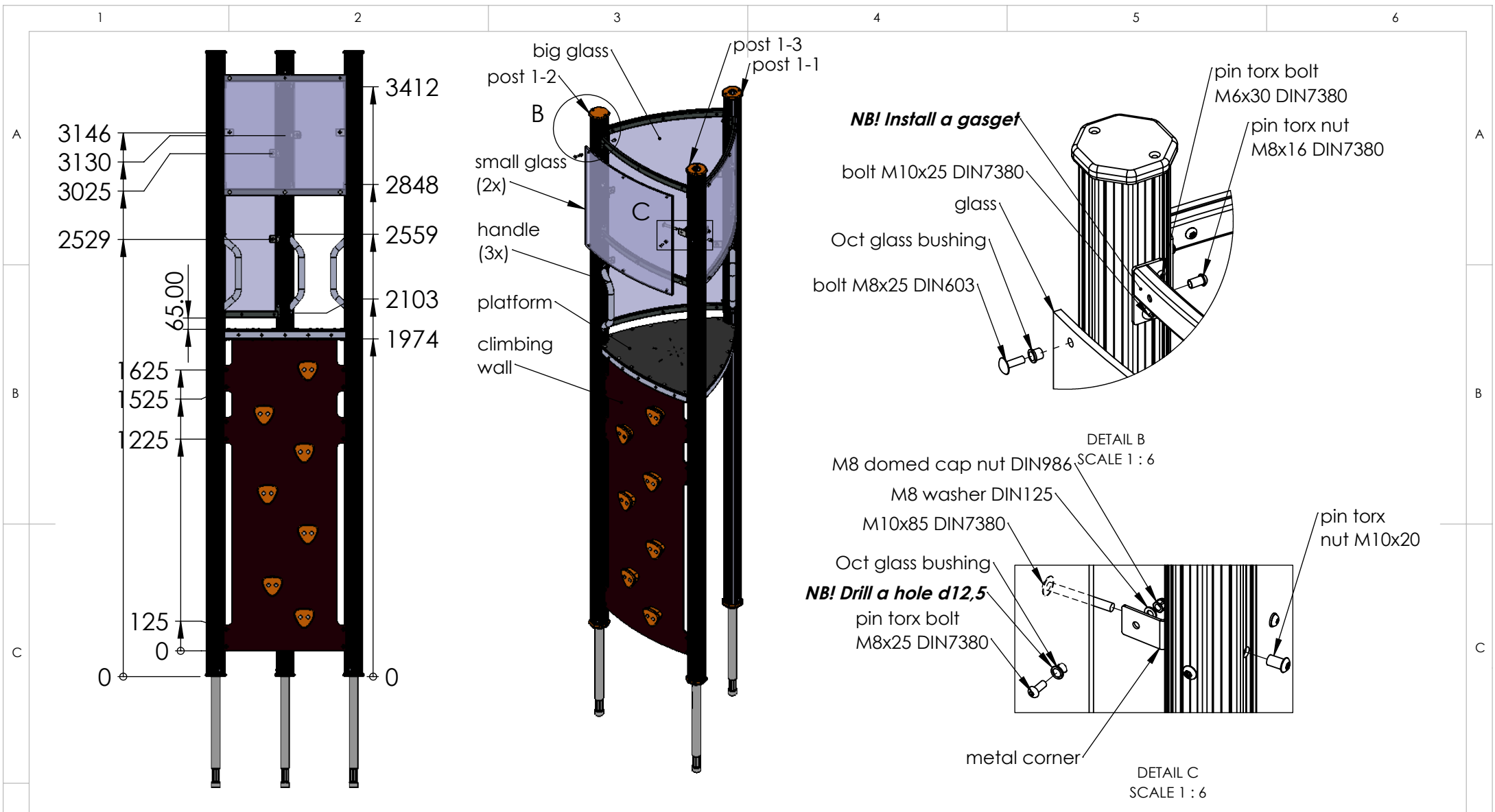


WEIGHT:	SCALE: 1:60	A4
		SHEET 6 OF 19

ITEM NO.	PART NUMBER	QTY.
1	tower 1	1
2	tower 2	1
3	tower 3	1
4	tower 4	1
5	post L3600	1
6	beam for climbing rope	1
7	beam with climbing wall conection	1
8	climbing net 1	1
9	climbing net 2	2
10	climbing post type 1	1
11	climbing post type 2	2
12	climbing wall 2540x1000 with knots	1
13	climbing rope with knots	1




UNLESS OTHERWISE SPECIFIED: DIMENSIONS ARE IN MILLIMETERS WEIGHT ARE IN KILOGRAMM				PART NUMBER / DWG NO.: OCT104	
	NAME	SIGNATURE	DATE	REVISION	
DRAWN	M. Kalamees		10/07/2023		
APPV'D					
 Tiptiptap OÜ Veetorni 9, Jüri alevik, Rae vald, 75301 Harjumaa				DESCRIPTION: Climbing complex	
				A4	
WEIGHT:				SCALE: 1:60	
				SHEET 7 OF 19	



REMARK:

- First connect the glass/plastic panel to the beam(s)
- Then attach a metal support corner to the posts, then drill a hole and fix as shown in the view "DETAIL C"

UNLESS OTHERWISE SPECIFIED: DIMENSIONS ARE IN MILLIMETERS WEIGHT ARE IN KILOGRAMM				Product code: OCT104	
	NAME	SIGNATURE	DATE	DESCRIPTION: Climbing complex, Tower 1	
DRAWN	M. Kalamees		10/07/2023		
				A4	
				WEIGHT:	SCALE: 1:50
				SHEET 8 OF 19	

A

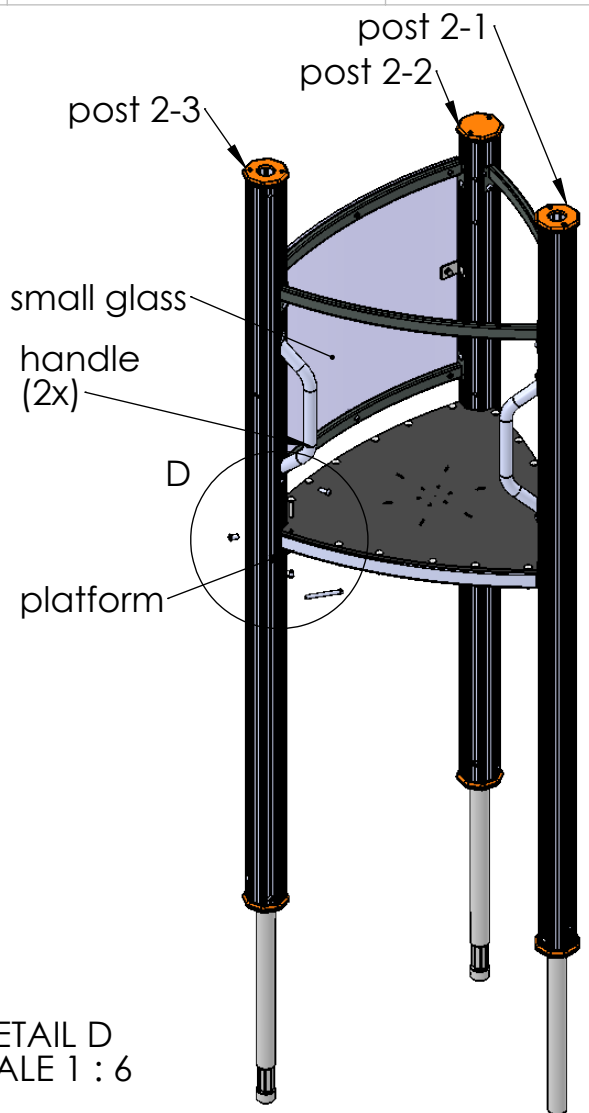
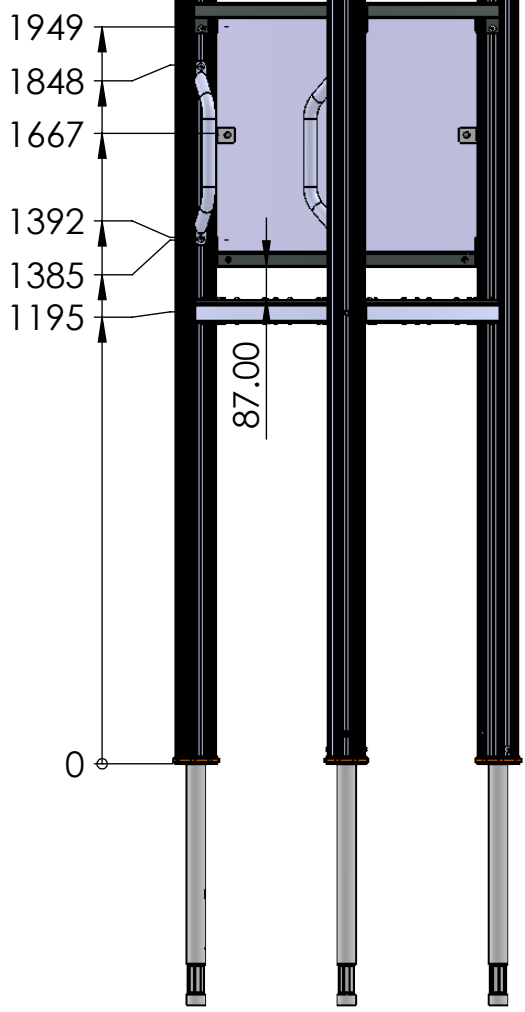
B

C

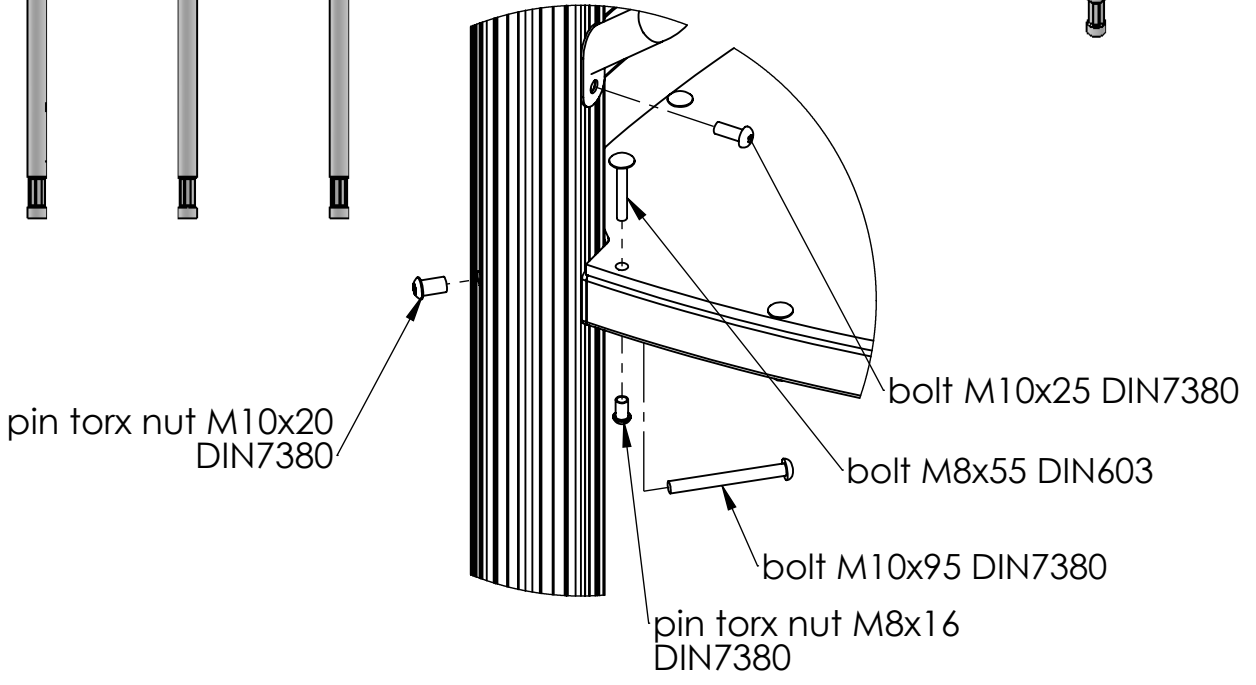
D

E

F



DETAIL D
SCALE 1 : 6



UNLESS OTHERWISE SPECIFIED:
DIMENSIONS ARE IN MILLIMETERS
WEIGHT ARE IN KILOGRAMM

Product code: **OCT104**

	NAME	SIGNATURE	DATE
DRAWN	M. Kalamees		10/07/2023

DESCRIPTION:
Climbing complex, Tower 2



WEIGHT:	SCALE: 1:50	A4
		SHEET 9 OF 19

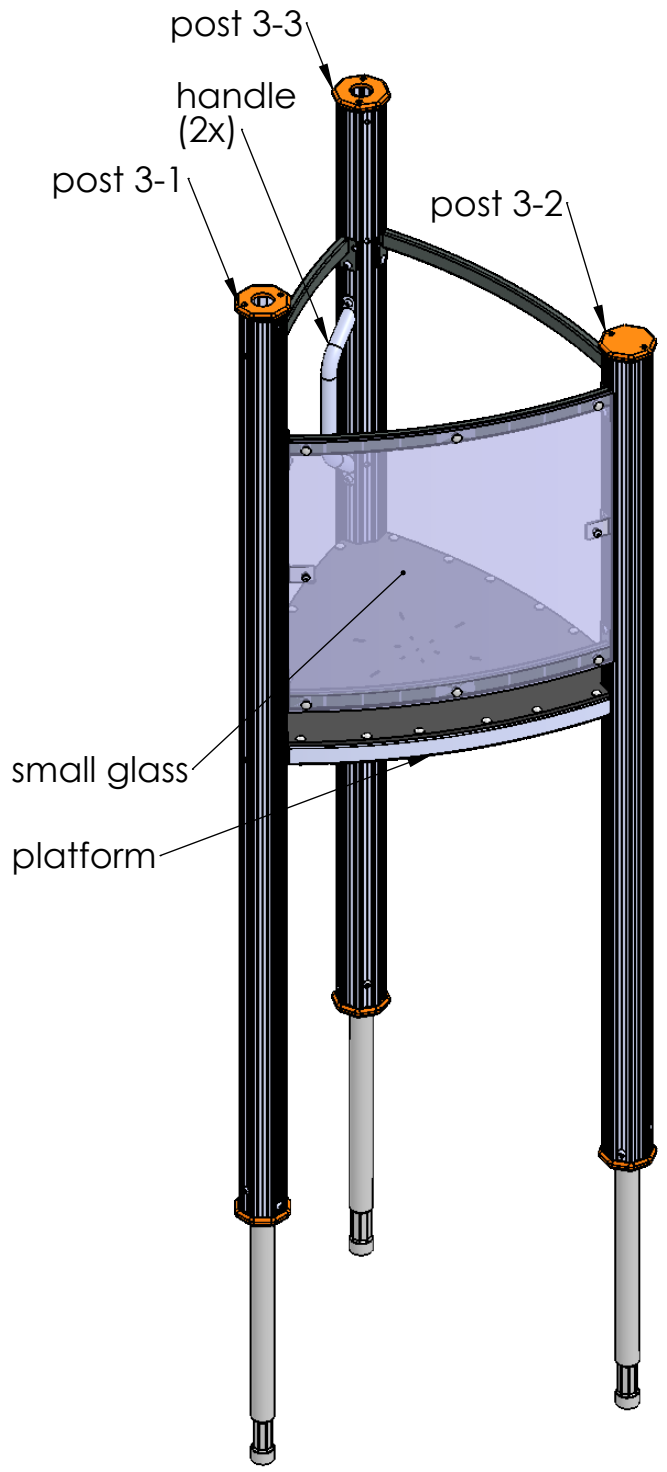
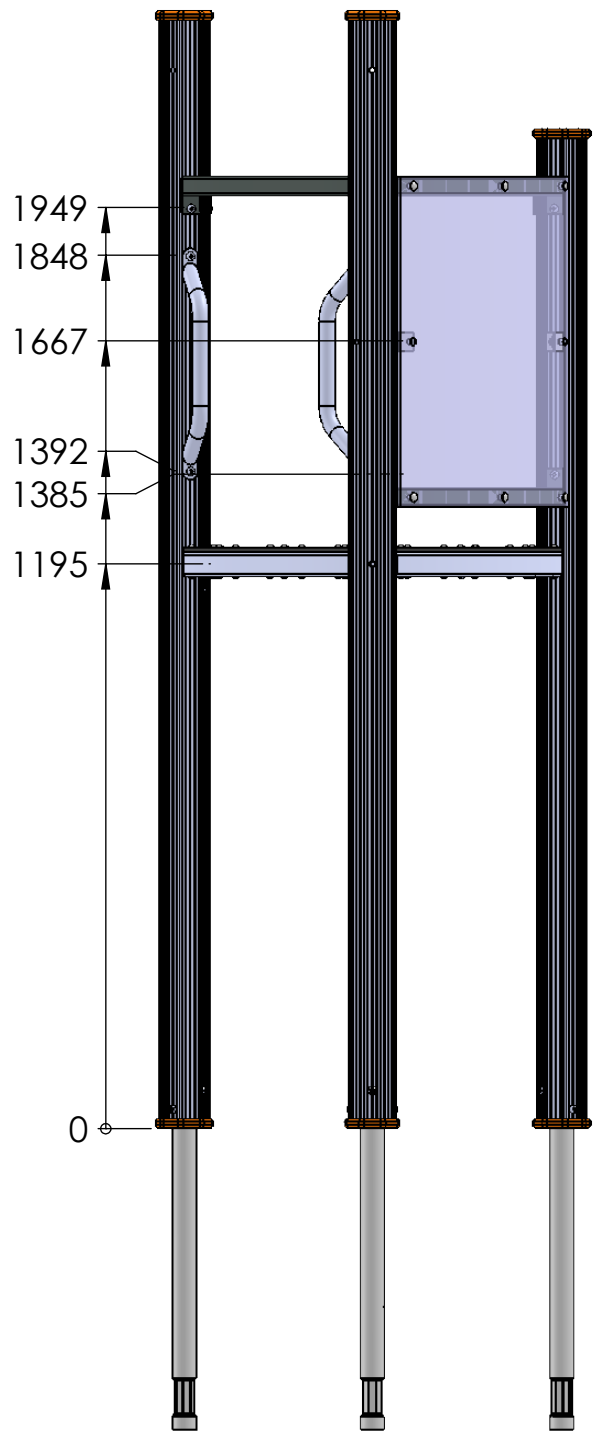
A

B

C

D

E



UNLESS OTHERWISE SPECIFIED:
DIMENSIONS ARE IN MILLIMETERS
WEIGHT ARE IN KILOGRAMM

Product code:

OCT104

	NAME	SIGNATURE	DATE
DRAWN	M. Kalamees		10/07/2023

DESCRIPTION:

Climbing complex, Tower 3



Tiptiptap^{OO}

WEIGHT:

SCALE: 1:50

A4

SHEET 10 OF 19

A

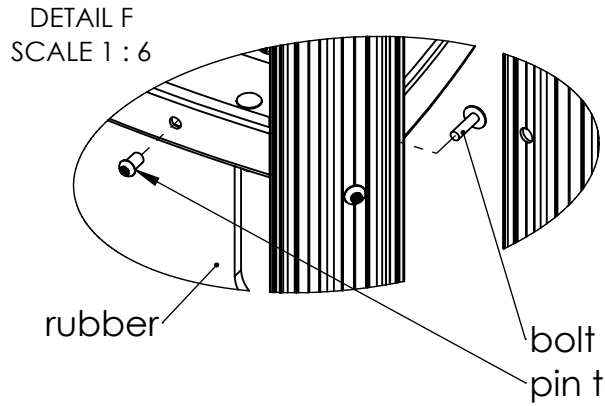
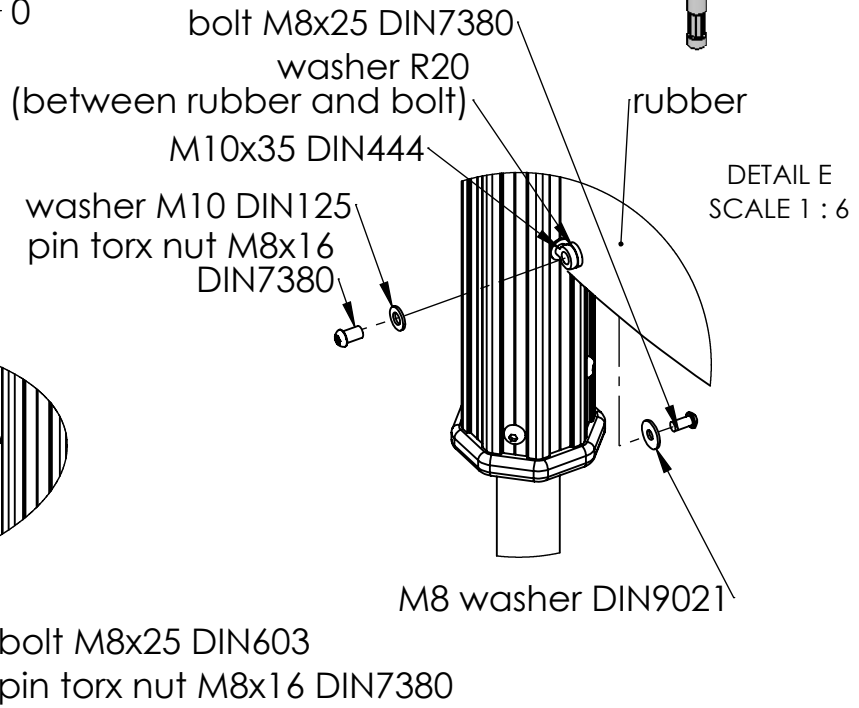
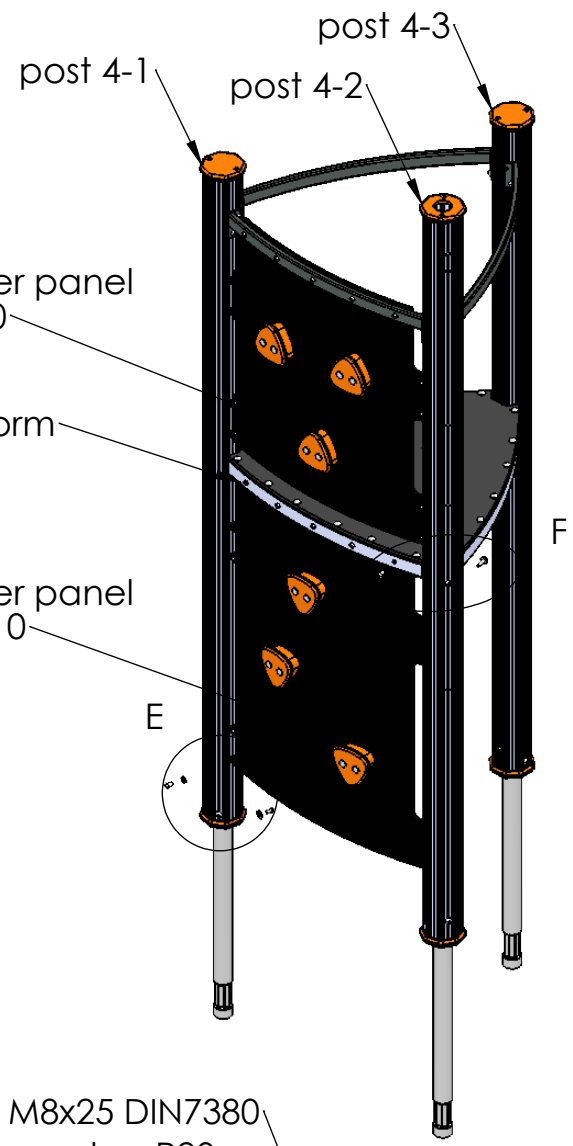
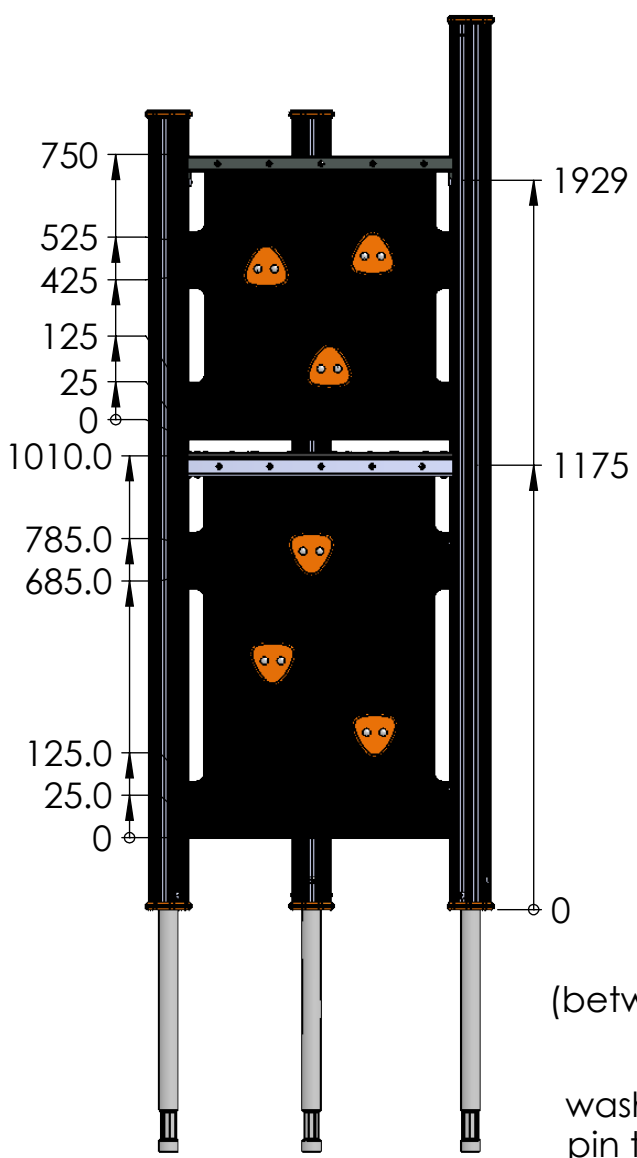
B

C

D

E

F



UNLESS OTHERWISE SPECIFIED:
DIMENSIONS ARE IN MILLIMETERS
WEIGHT ARE IN KILOGRAMM

Product code: **OCT104**

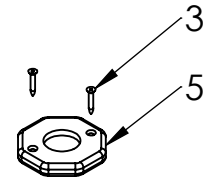
	NAME	SIGNATURE	DATE
DRAWN	M. Kalamees		10/07/2023

DESCRIPTION: **Climbing complex, Tower 4**

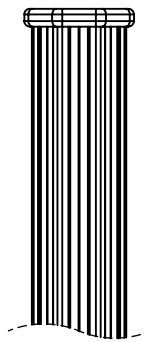
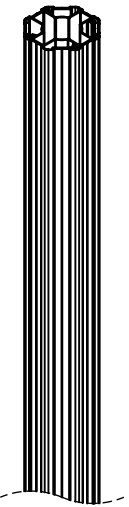


WEIGHT:	SCALE: 1:50	A4
		SHEET 11 OF 19

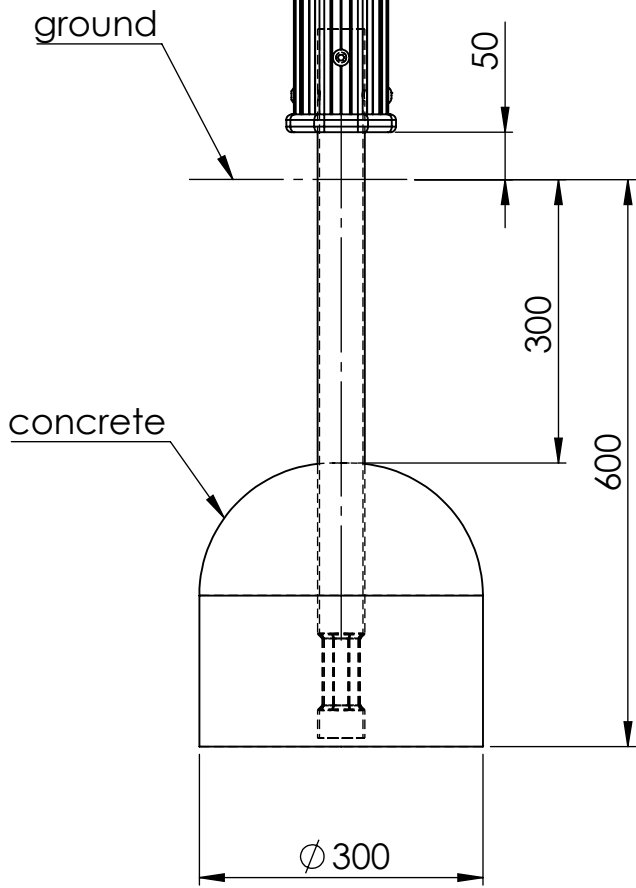
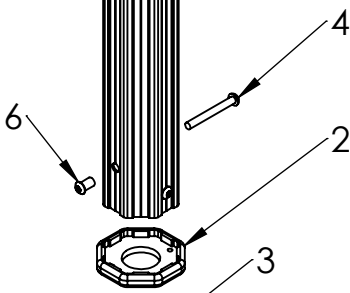
A



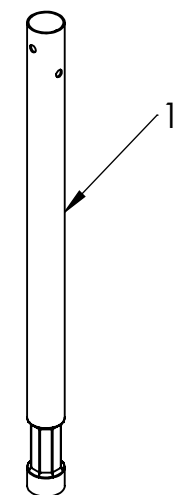
B



C



D



E

ITEM NO.	PART NUMBER	QTY.
1	metal ground fixing L750	1
2	lower plastic cap	1
3	wood screw 6x40	4
4	bolt M10x85 DIN7380	2
5	upper plastic cap	1
6	pin torx nut M10x20	2

F

UNLESS OTHERWISE SPECIFIED: DIMENSIONS ARE IN MILLIMETERS WEIGHT ARE IN KILOGRAMM				
	NAME	SIGNATURE	DATE	REVISION
DRAWN	M. Kalamees		10/07/2023	
APPV'D				

PART NUMBER / DWG NO.:	OCT104
DESCRIPTION:	Climbing complex



WEIGHT:	SCALE: 1:10	A4
		SHEET 12 OF 19

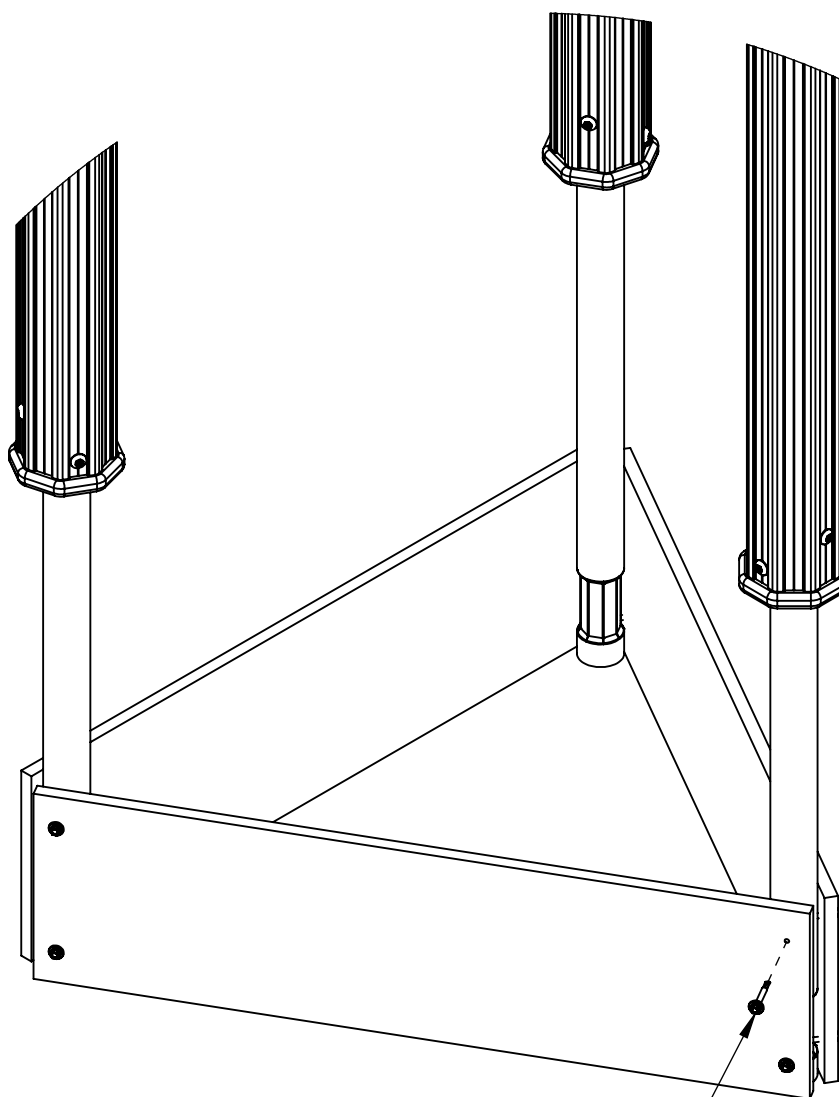
A

B

C

D

E



screw DIN7504K
d.5,5x50

NB! Ground mounting plates must be attached to the tower after all metal beams have been attached to the tower!!

UNLESS OTHERWISE SPECIFIED:
DIMENSIONS ARE IN MILLIMETERS
WEIGHT ARE IN KILOGRAMM

Product code:

OCT104

NAME

SIGNATURE

DATE

DRAWN

M. Kalamees

10/07/2023

DESCRIPTION:

Climbing complex



Tiptiptap^{oü}

A4

WEIGHT:

SCALE: 1:50

SHEET 13 OF 19

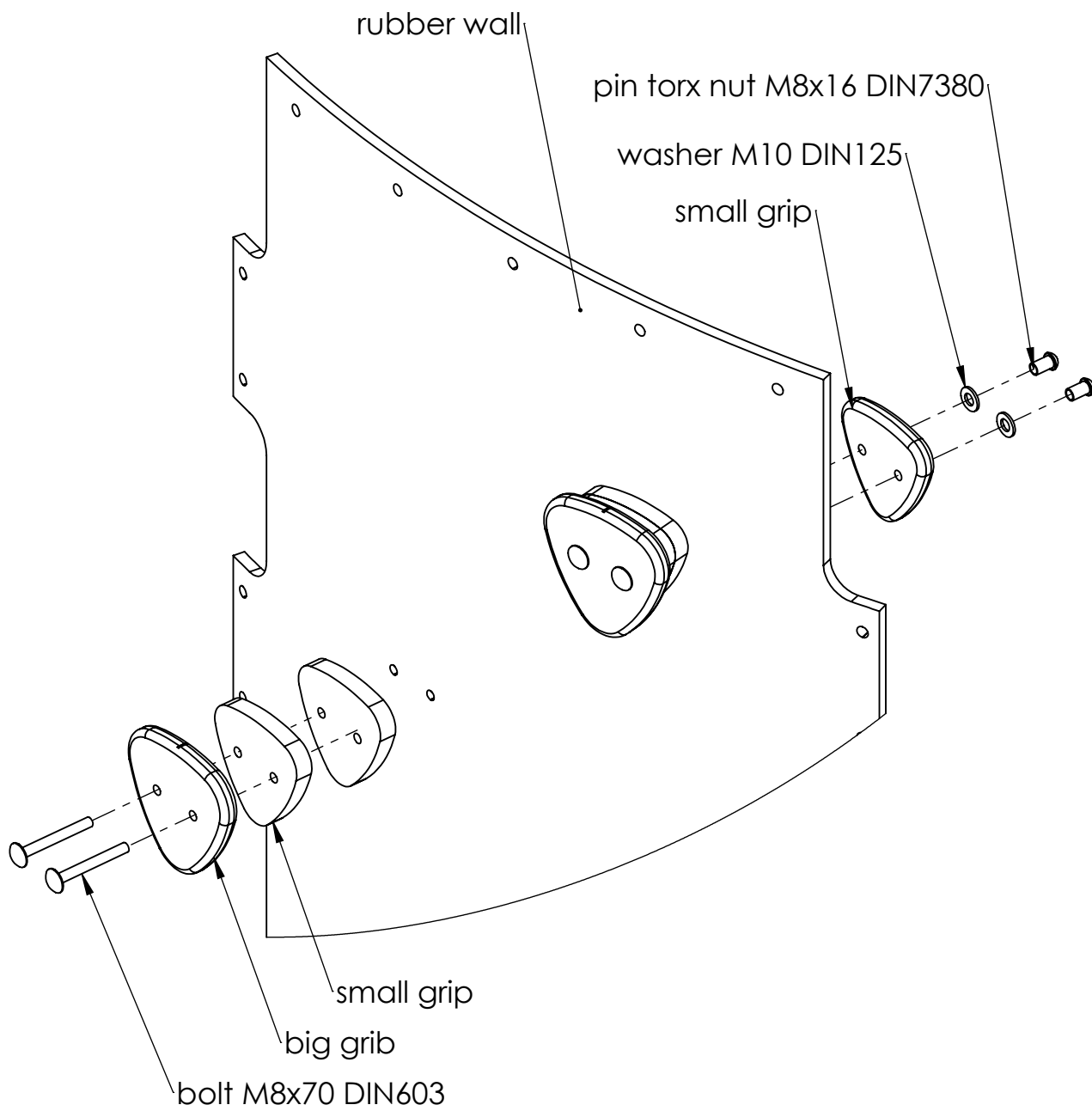
A

B

C

D

E



UNLESS OTHERWISE SPECIFIED:
 DIMENSIONS ARE IN MILLIMETERS
 WEIGHT ARE IN KILOGRAMM

Product code:

OCT104

NAME

SIGNATURE

DATE

DRAWN

M. Kalamees

10/07/2023

DESCRIPTION:

Climbing complex



Tiptiptap^{oü}

A4

WEIGHT:

SCALE: 1:10

SHEET 14 OF 19

A

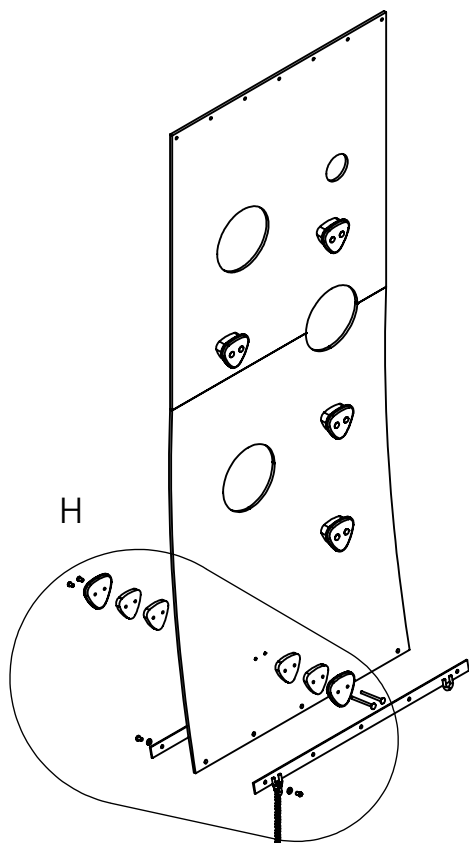
B

C

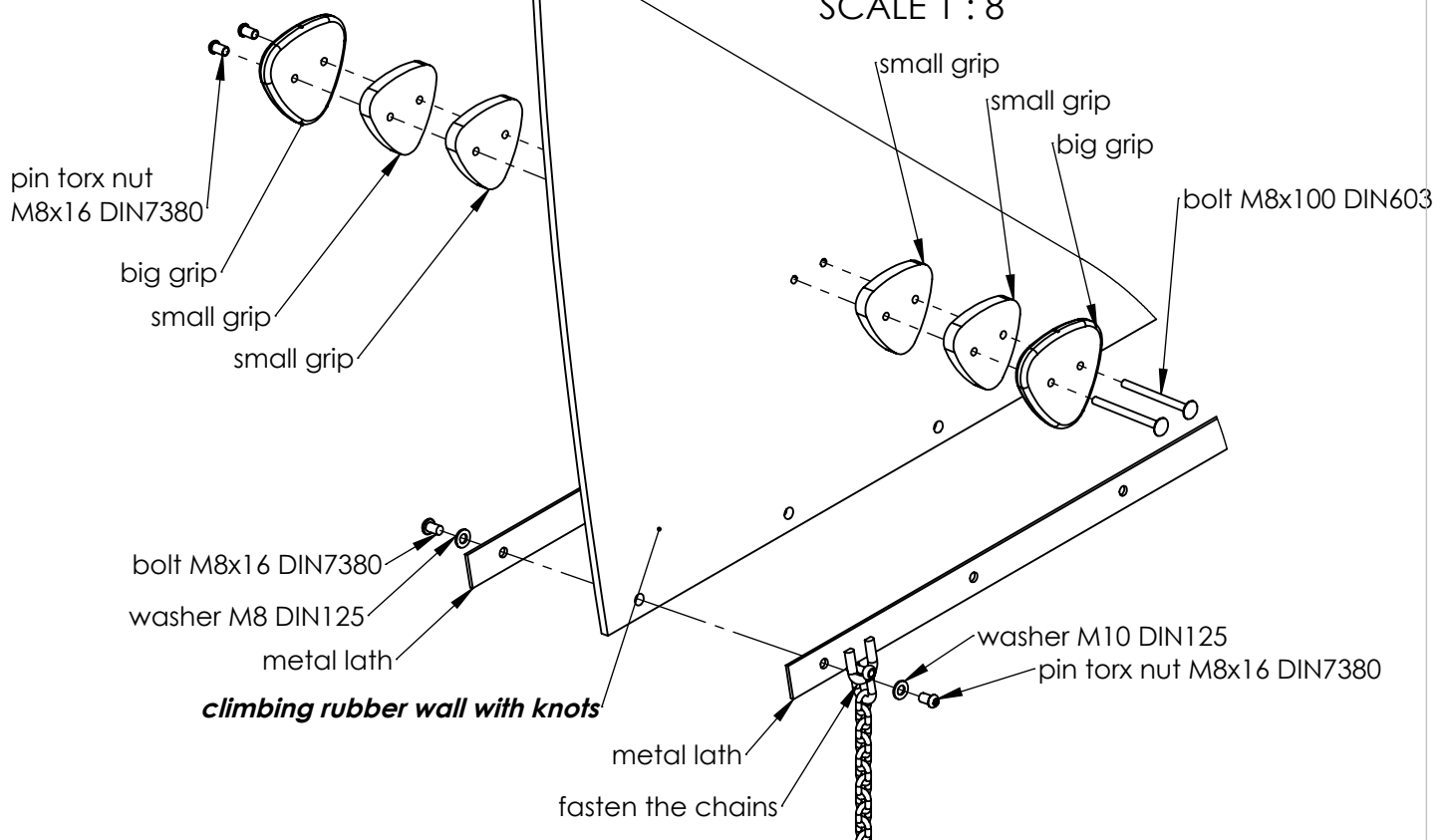
D


E

F

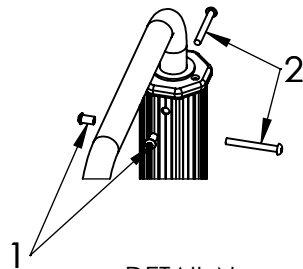
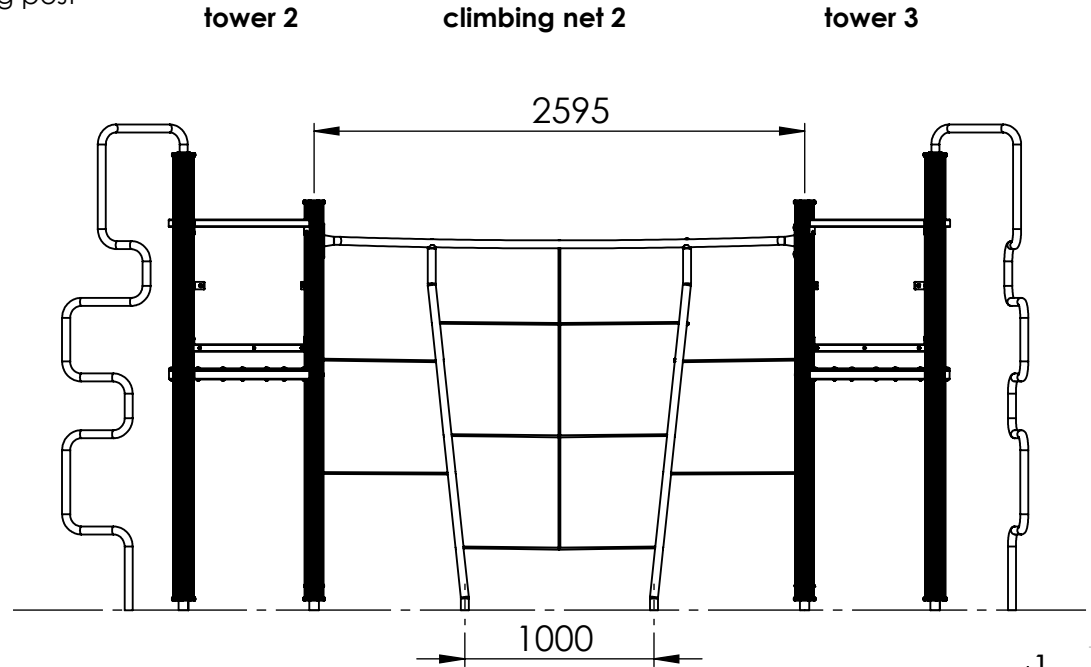
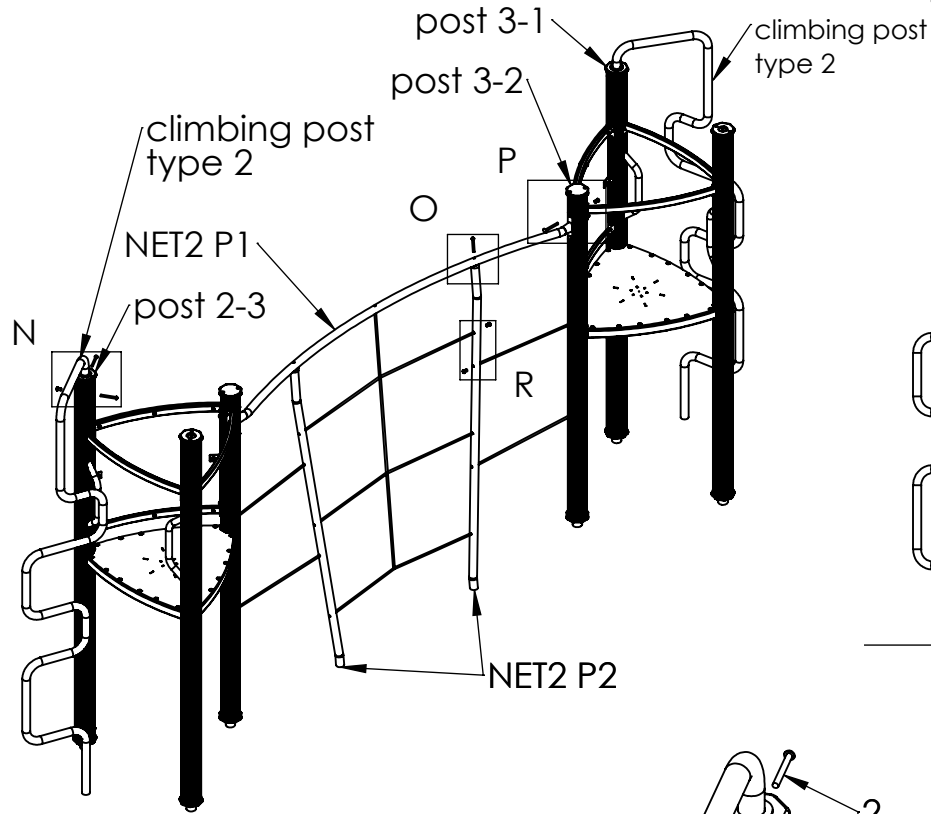


DETAIL H
SCALE 1 : 8

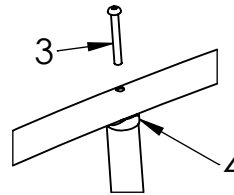


UNLESS OTHERWISE SPECIFIED: DIMENSIONS ARE IN MILLIMETERS WEIGHT ARE IN KILOGRAMM			
	NAME	SIGNATURE	DATE
DRAWN	M. Kalamees		10/07/2023
 Tiptap ^{OU}			

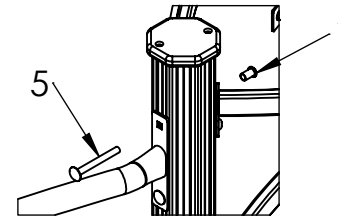
Product code:	OCT104		
DESCRIPTION:	Climbing complex		
WEIGHT:	SCALE: 1:10	A4	
		SHEET 15 OF 19	



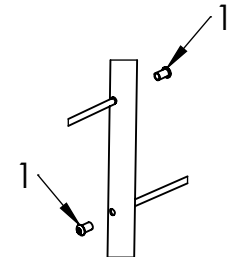
DETAIL N
SCALE 1 : 12



DETAIL O
SCALE 1 : 10



DETAIL P
SCALE 1 : 12



DETAIL R
SCALE 1 : 12

ITEM NO.	PART NUMBER
1	pin torx nut M10x20
2	bolt M10x85 DIN7380
3	bolt M10x80 DIN7380
4	support washer
5	bolt M10x95 DIN 603

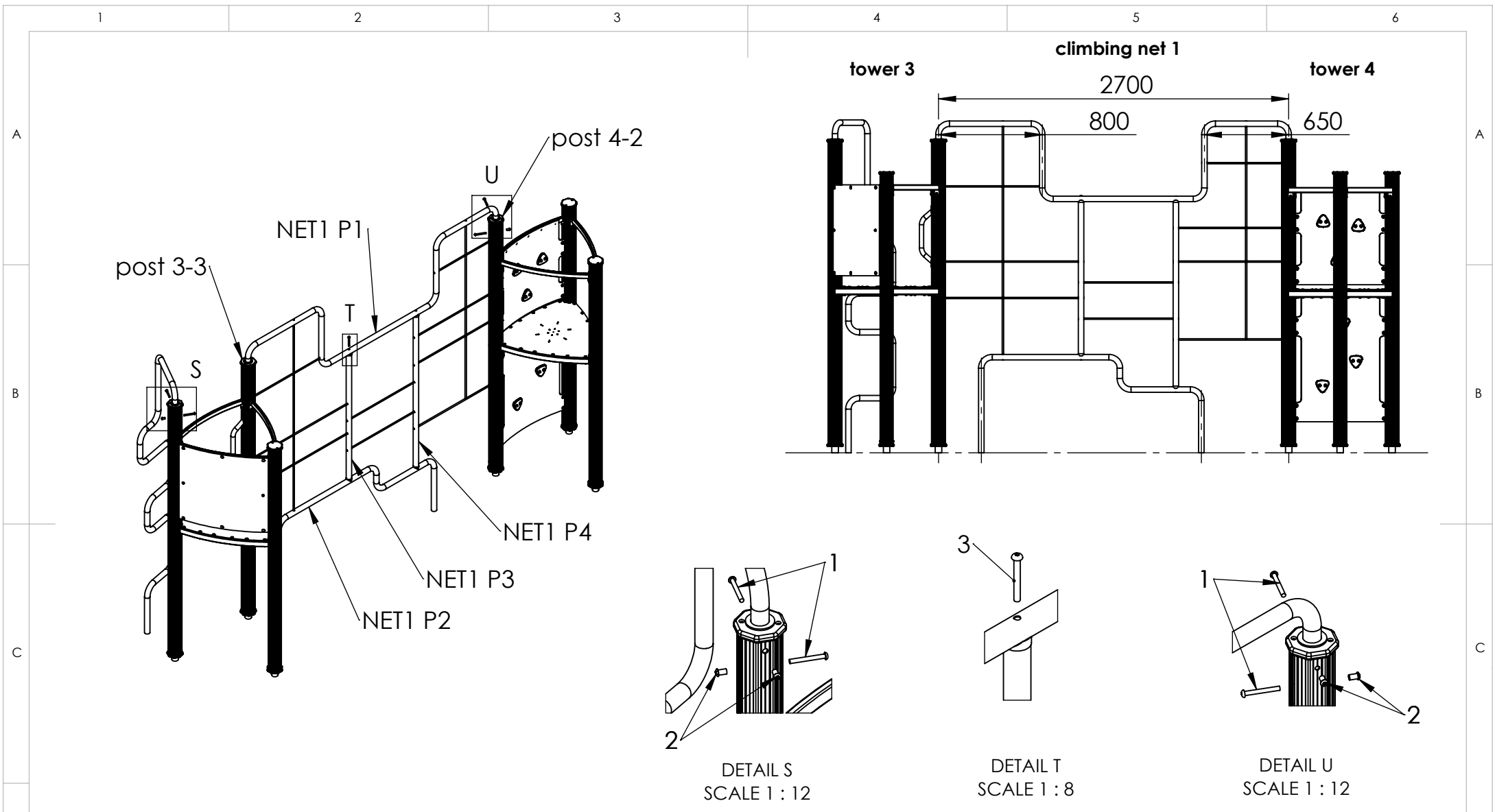
UNLESS OTHERWISE SPECIFIED:
DIMENSIONS ARE IN MILLIMETERS
WEIGHT ARE IN KILOGRAMM


	NAME	SIGNATURE	DATE
DRAWN	M. Kalamees		10/07/2023



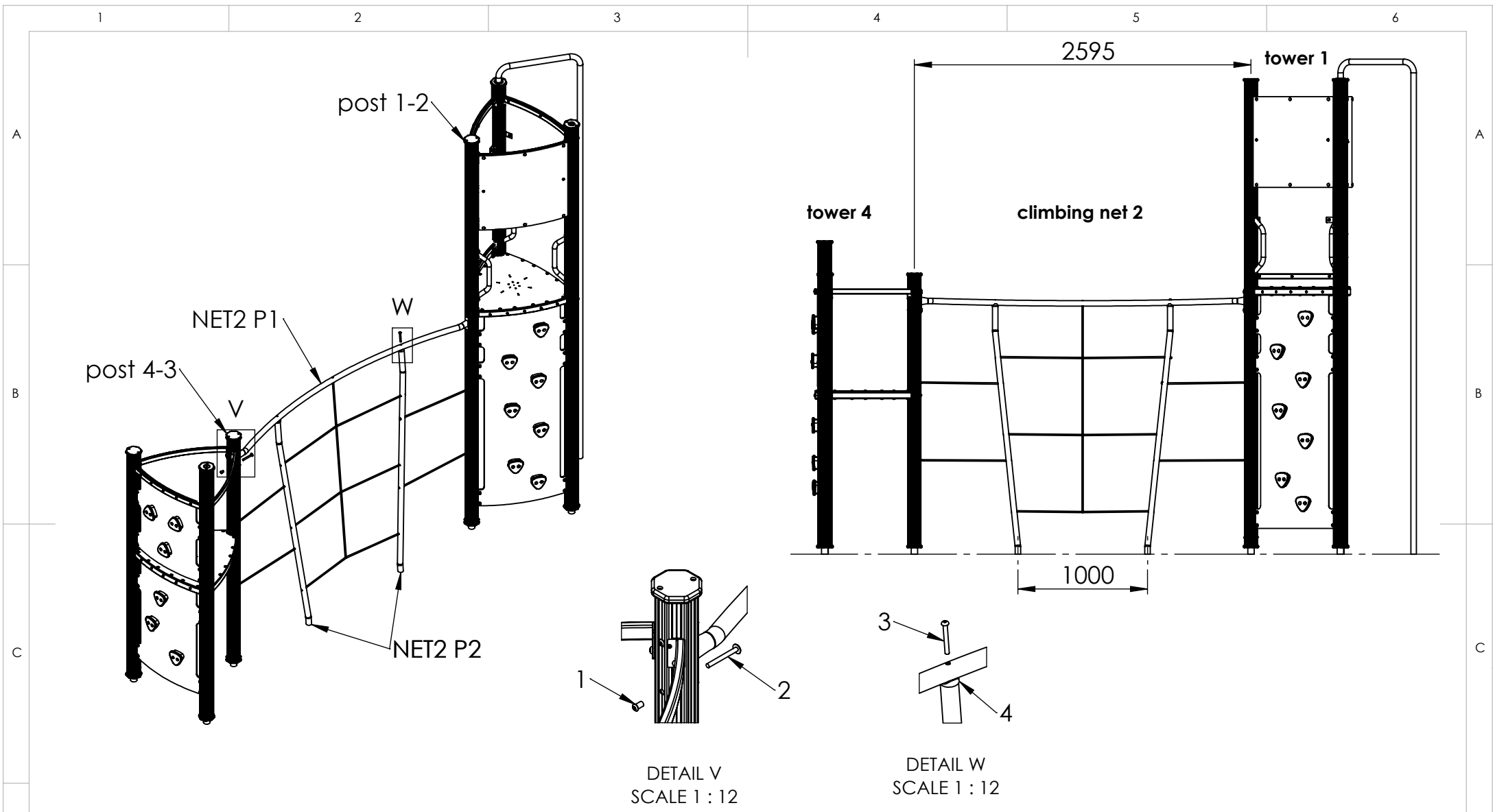
Tiptiptap^{OU}

Product code:	OCT104		
DESCRIPTION:	Climbing complex		
WEIGHT:	SCALE: 1:50	A4	
		SHEET 17 OF 19	



UNLESS OTHERWISE SPECIFIED: DIMENSIONS ARE IN MILLIMETERS WEIGHT ARE IN KILOGRAMM					PART NUMBER / DWG NO.: OCT104													
<table border="1"> <thead> <tr> <th>NAME</th> <th>SIGNATURE</th> <th>DATE</th> <th>REVISION</th> </tr> </thead> <tbody> <tr> <td>DRAWN M. Kalamees</td> <td></td> <td>10/07/2023</td> <td></td> </tr> <tr> <td>APPV'D</td> <td></td> <td></td> <td></td> </tr> </tbody> </table>					NAME	SIGNATURE	DATE	REVISION	DRAWN M. Kalamees		10/07/2023		APPV'D				DESCRIPTION: Climbing complex	
NAME	SIGNATURE	DATE	REVISION															
DRAWN M. Kalamees		10/07/2023																
APPV'D																		
					A4													
					WEIGHT:	SCALE: 1:100	SHEET 18 OF 19											

ITEM NO.	PART NUMBER
1	bolt M10x85 DIN7380
2	pin torx nut M10x20
3	bolt M10x80 DIN7380



ITEM NO.	PART NUMBER
1	pin torx nut M10x20
2	bolt M10x95 DIN 603
3	bolt M10x80 DIN7380
4	support washer

UNLESS OTHERWISE SPECIFIED: DIMENSIONS ARE IN MILLIMETERS WEIGHT ARE IN KILOGRAMM				
	NAME	SIGNATURE	DATE	REVISION
DRAWN	M. Kalamees		10/07/2023	
APPV'D				

PART NUMBER / DWG NO.:		OCT104	
DESCRIPTION:		Climbing complex	
		A4	
WEIGHT:		SCALE: 1:50	
		SHEET 19 OF 19	

