

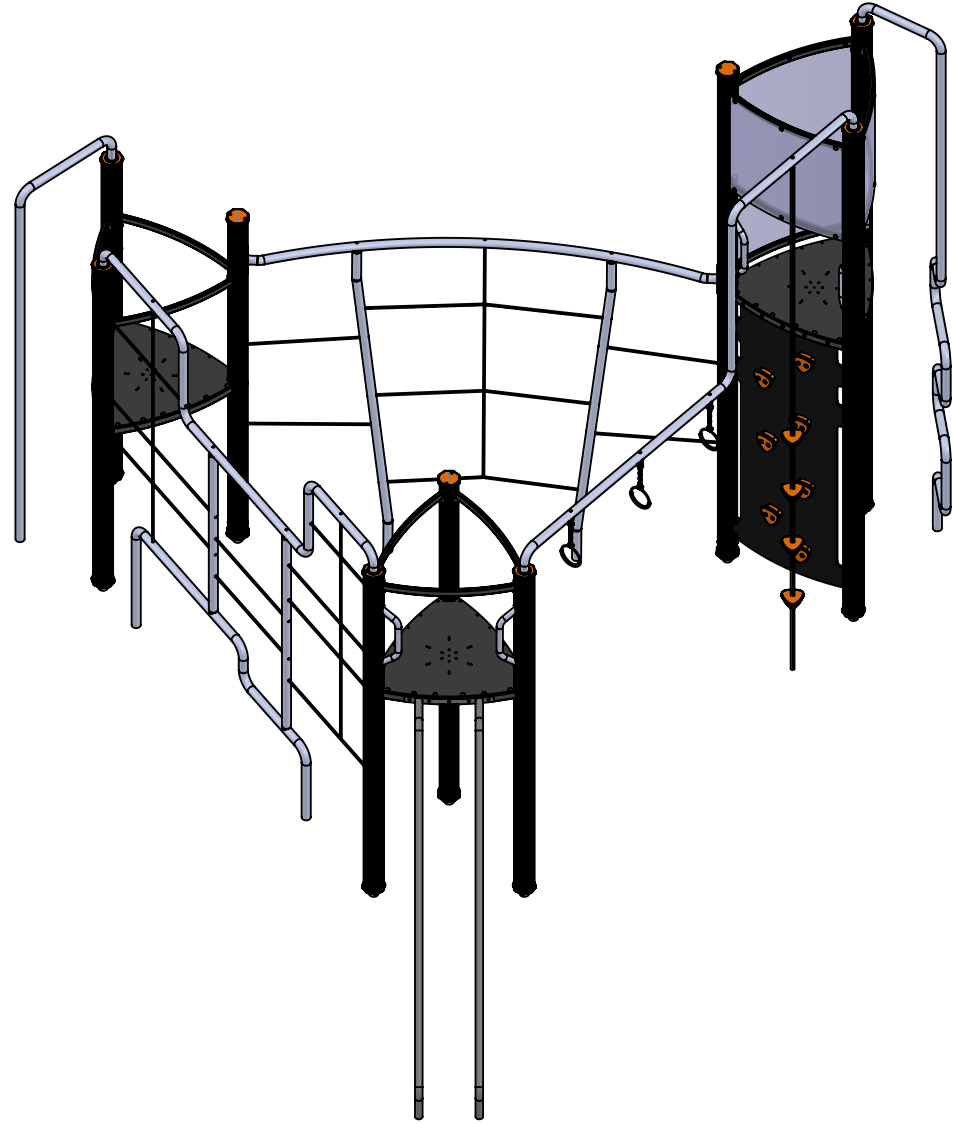
A

B

C

D

E



UNLESS OTHERWISE SPECIFIED:
 DIMENSIONS ARE IN MILLIMETERS
 WEIGHT ARE IN KILOGRAMM

PART NUMBER / DWG NO.:
OCT103

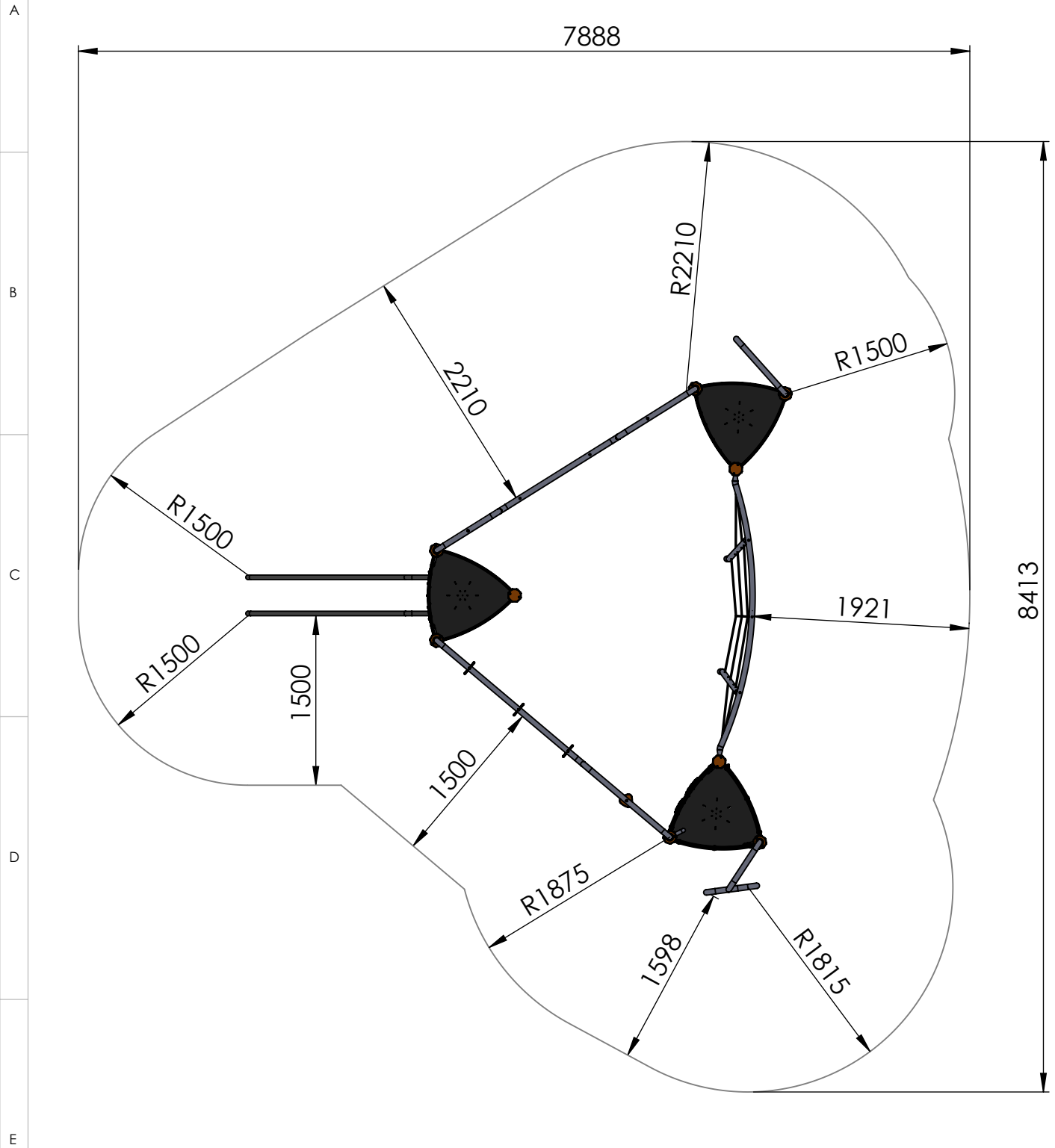
	NAME	SIGNATURE	DATE	REVISION
DRAWN	M. Kalamees		25-Nov-19	
APPV'D				

DESCRIPTION:
Climbing complex


Tiptiptap OÜ
 Veetorni 9,
 Jüri alevik, Rae vald,
 75301 Harjumaa

MATERIAL:	metal, plastic, rubber	A4
WEIGHT:		SCALE: 1:40
		SHEET 1 OF 12

safety area



UNLESS OTHERWISE SPECIFIED:
DIMENSIONS ARE IN MILLIMETERS
WEIGHT ARE IN KILOGRAMM

PART NUMBER / DWG NO.:

OCT103

	NAME	SIGNATURE	DATE	REVISION
DRAWN	M. Kalamees		25-Nov-19	
APPV'D				

DESCRIPTION:

Climbing complex



Tiptaptap OÜ

Tiptaptap OÜ
Veetorni 9,
Jüri alevik, Rae vald,
75301 Harjumaa

MATERIAL:

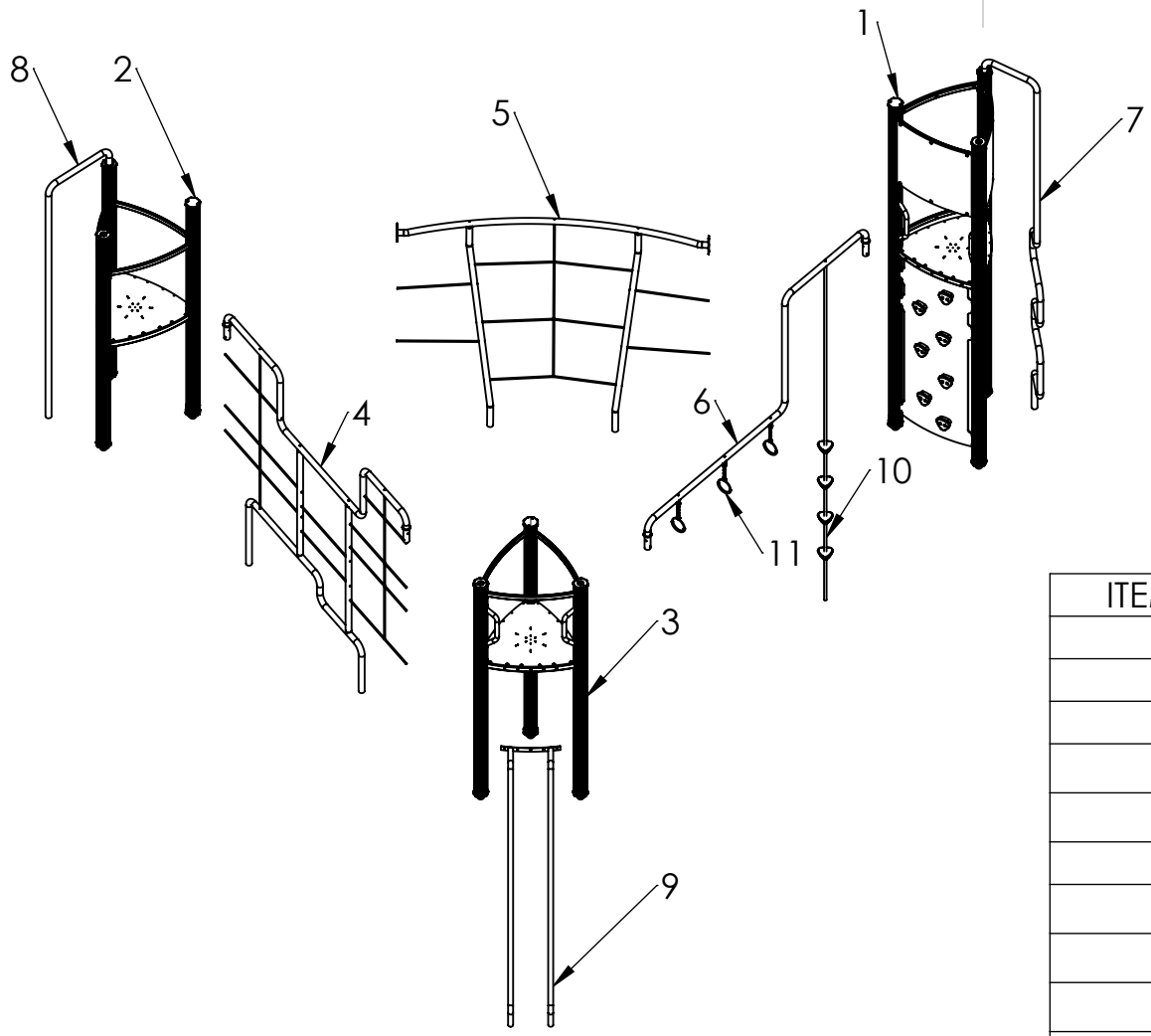
metal, plastic, rubber

A4

WEIGHT:

SCALE: 1:100

SHEET 2 OF 12



ITEM NO.	PART NUMBER	QTY.
1	tower 1	1
2	tower 2	1
3	tower 3	1
4	climbing net 1	1
5	climbing net 2	1
6	beam	1
7	climbing post 1	1
8	climbing post 2	1
9	sliding tube frame	1
10	climbing rope with knots	1
11	hanging ring	3

UNLESS OTHERWISE SPECIFIED:
 DIMENSIONS ARE IN MILLIMETERS
 WEIGHT ARE IN KILOGRAMM

	NAME	SIGNATURE	DATE	REVISION
DRAWN	M. Kalamees		25-Nov-19	
APPV'D				

PART NUMBER / DWG NO.:
OCT103

DESCRIPTION:
Climbing complex



Tiptaptap OÜ
 Veetorni 9,
 Jüri alevik, Rae vald,
 75301 Harjumaa

MATERIAL: metal, plastic, rubber

WEIGHT: SCALE: 1:60 SHEET 3 OF 12

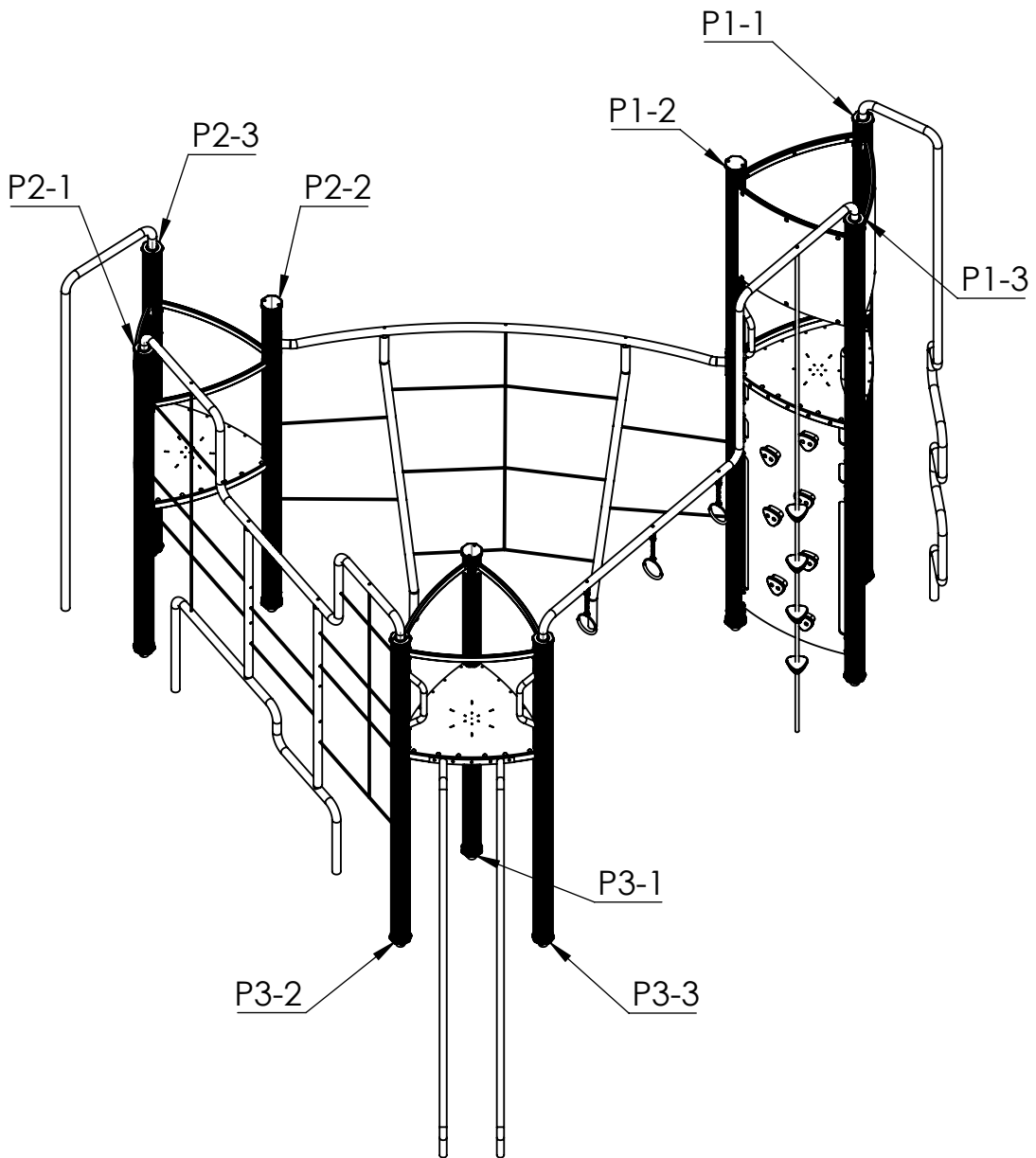
A

B

C

D

E



UNLESS OTHERWISE SPECIFIED:
 DIMENSIONS ARE IN MILLIMETERS
 WEIGHT ARE IN KILOGRAMM

PART NUMBER / DWG NO.:

OCT103

	NAME	SIGNATURE	DATE	REVISION
DRAWN	M. Kalamees		25-Nov-19	
APPV'D				

DESCRIPTION:

Climbing complex

MATERIAL:

metal, plastic, rubber

A4

WEIGHT:

SCALE: 1:40

SHEET 5 OF 12

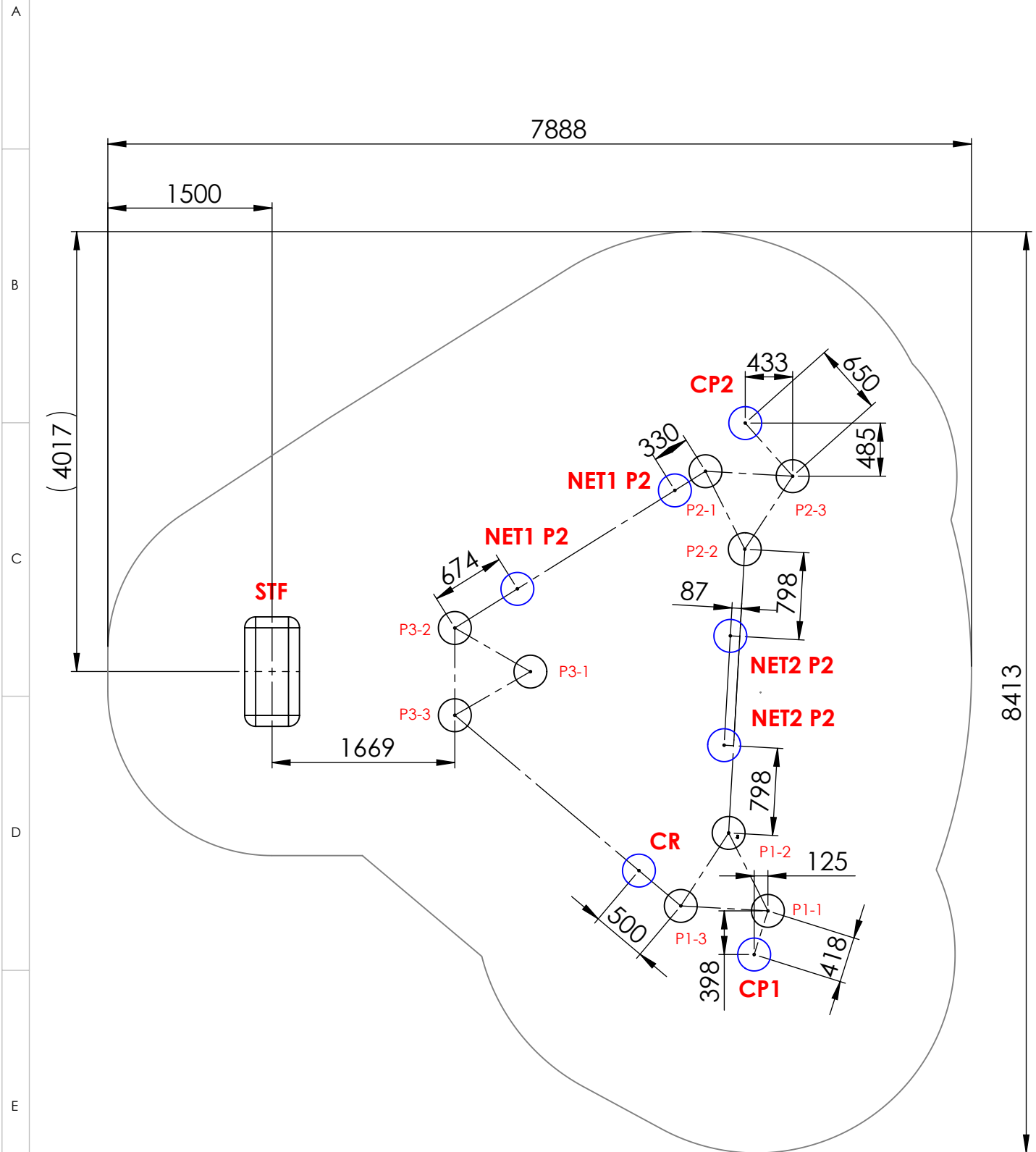


Tiptaptap OÜ

Tiptaptap OÜ
 Veetorni 9,
 Jüri alevik, Rae vald,
 75301 Harjumaa

F

foundation



UNLESS OTHERWISE SPECIFIED:
DIMENSIONS ARE IN MILLIMETERS
WEIGHT ARE IN KILOGRAMM

PART NUMBER / DWG NO.:
OCT103

	NAME	SIGNATURE	DATE	REVISION
DRAWN	M. Kalamees		25-Nov-19	
APPV'D				

DESCRIPTION:
Climbing complex


Tiptaptap OÜ
 Veetorni 9,
 Jüri alevik, Rae vald,
 75301 Harjumaa

MATERIAL:	metal, plastic, rubber	A4
WEIGHT:	SCALE: 1:50	SHEET 6 OF 12

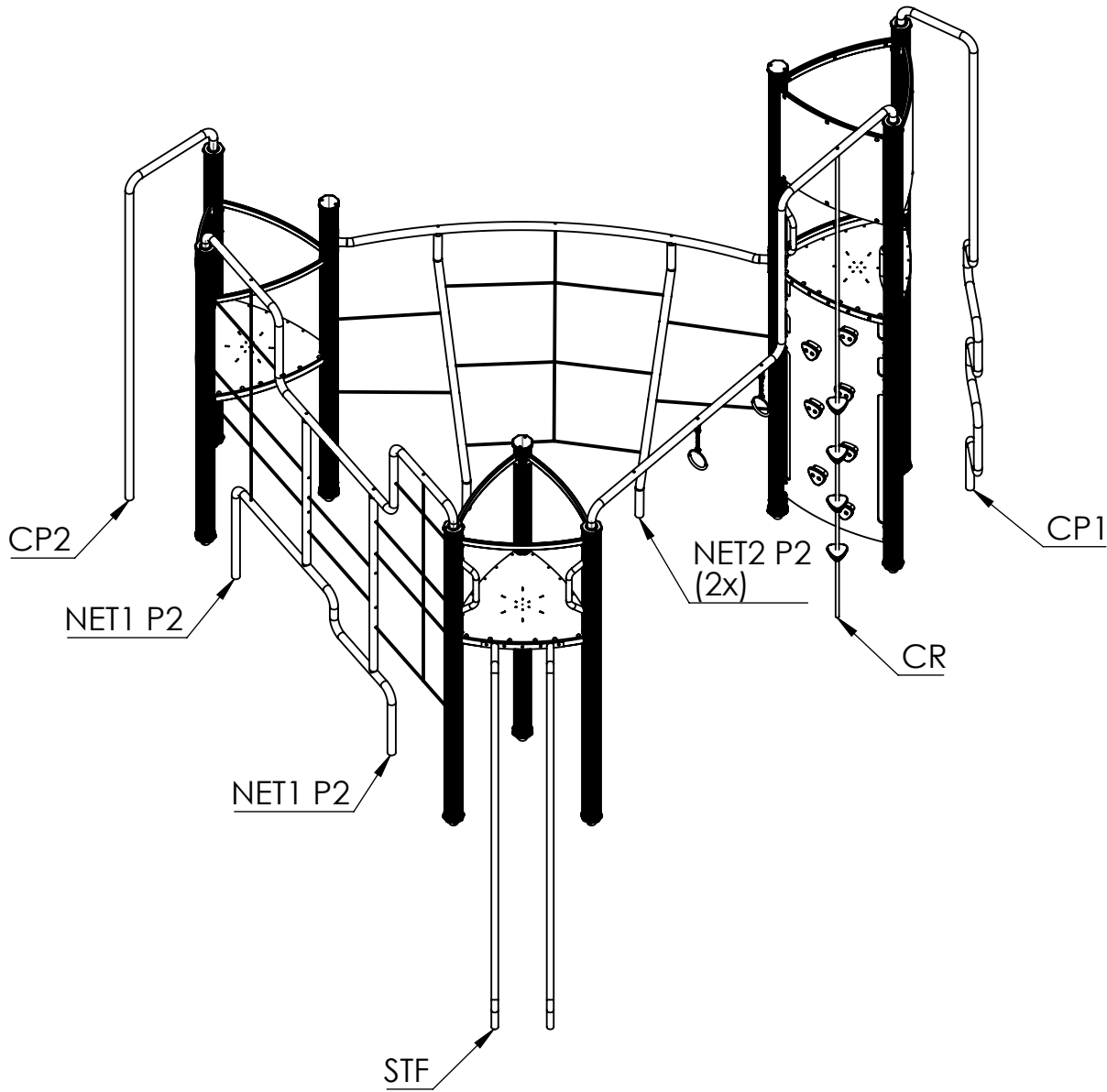
A

B

C

D

E



UNLESS OTHERWISE SPECIFIED:
 DIMENSIONS ARE IN MILLIMETERS
 WEIGHT ARE IN KILOGRAMM

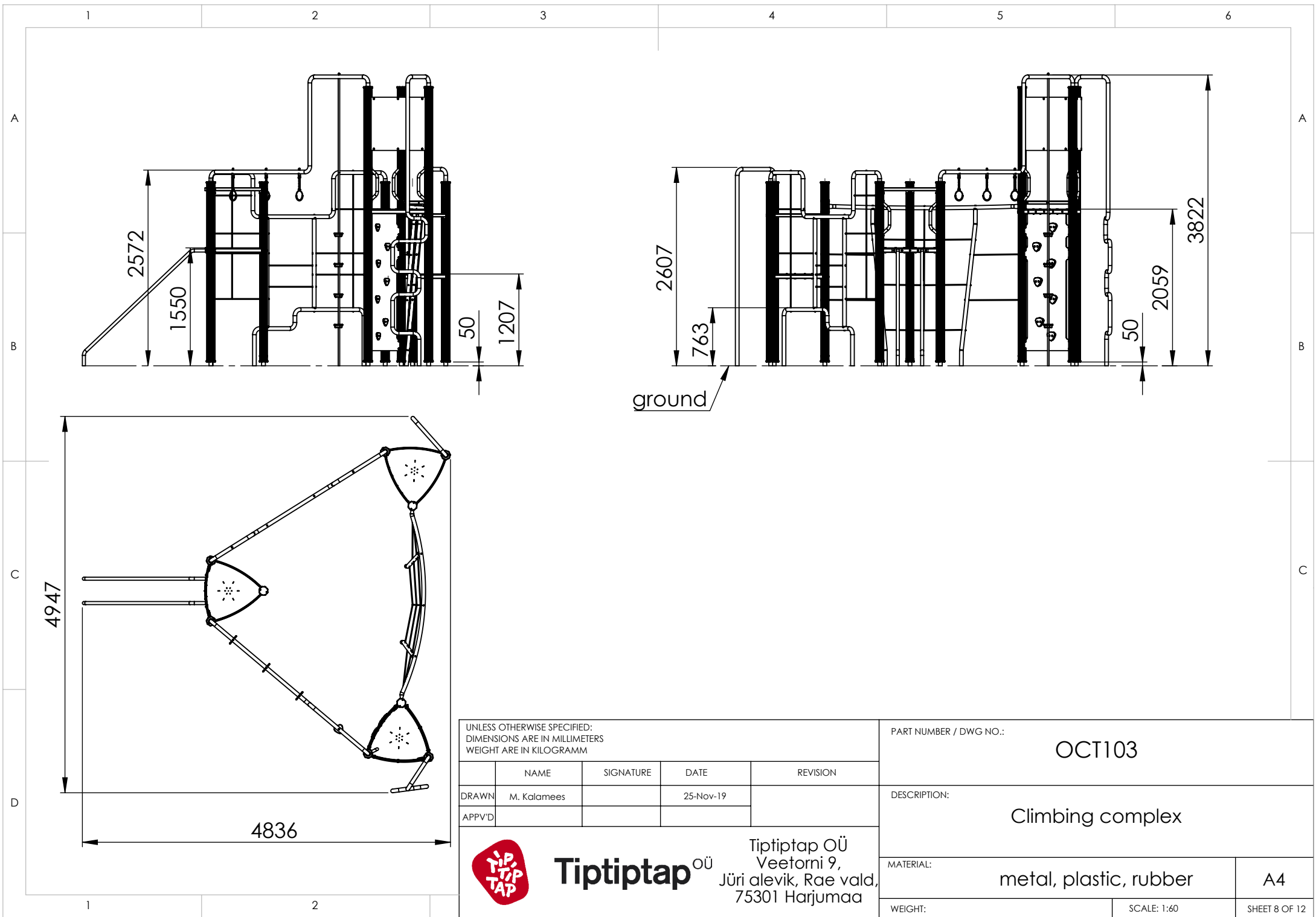
PART NUMBER / DWG NO.: **OCT103**

	NAME	SIGNATURE	DATE	REVISION
DRAWN	M. Kalamees		25-Nov-19	
APPV'D				

DESCRIPTION:
Climbing complex

 **Tiptaptap** OÜ
 Veetorni 9,
 Jüri alevik, Rae vald,
 75301 Harjumaa

MATERIAL:	metal, plastic, rubber	A4
WEIGHT:	SCALE: 1:40	SHEET 7 OF 12



UNLESS OTHERWISE SPECIFIED:
 DIMENSIONS ARE IN MILLIMETERS
 WEIGHT ARE IN KILOGRAMM

PART NUMBER / DWG NO.:
OCT103

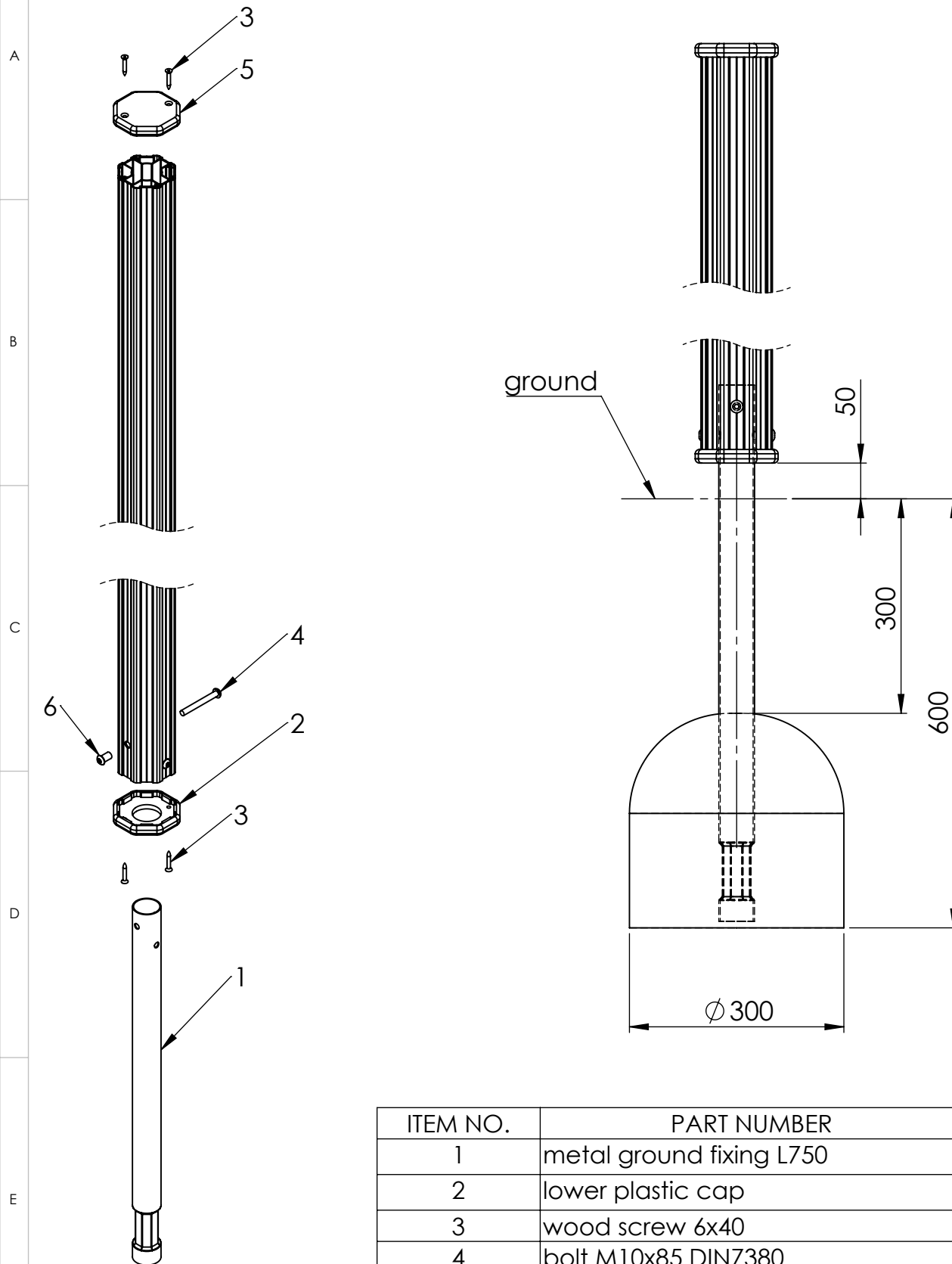
	NAME	SIGNATURE	DATE	REVISION
DRAWN	M. Kalamees		25-Nov-19	
APPV'D				

DESCRIPTION:
Climbing complex



Tiptaptap OÜ
 Veetorni 9,
 Jüri alevik, Rae vald,
 75301 Harjumaa

MATERIAL:	metal, plastic, rubber	A4
WEIGHT:	SCALE: 1:60	SHEET 8 OF 12



ITEM NO.	PART NUMBER	QTY.
1	metal ground fixing L750	1
2	lower plastic cap	1
3	wood screw 6x40	4
4	bolt M10x85 DIN7380	2
5	upper plastic cap	1
6	pin torx nut M10x20	2

UNLESS OTHERWISE SPECIFIED:
DIMENSIONS ARE IN MILLIMETERS
WEIGHT ARE IN KILOGRAMM

PART NUMBER / DWG NO.:

OCT103

	NAME	SIGNATURE	DATE	REVISION
DRAWN	M. Kalamees		25-Nov-19	
APPV'D				

DESCRIPTION:

Climbing complex

MATERIAL:

metal, plastic, rubber

A4

WEIGHT:

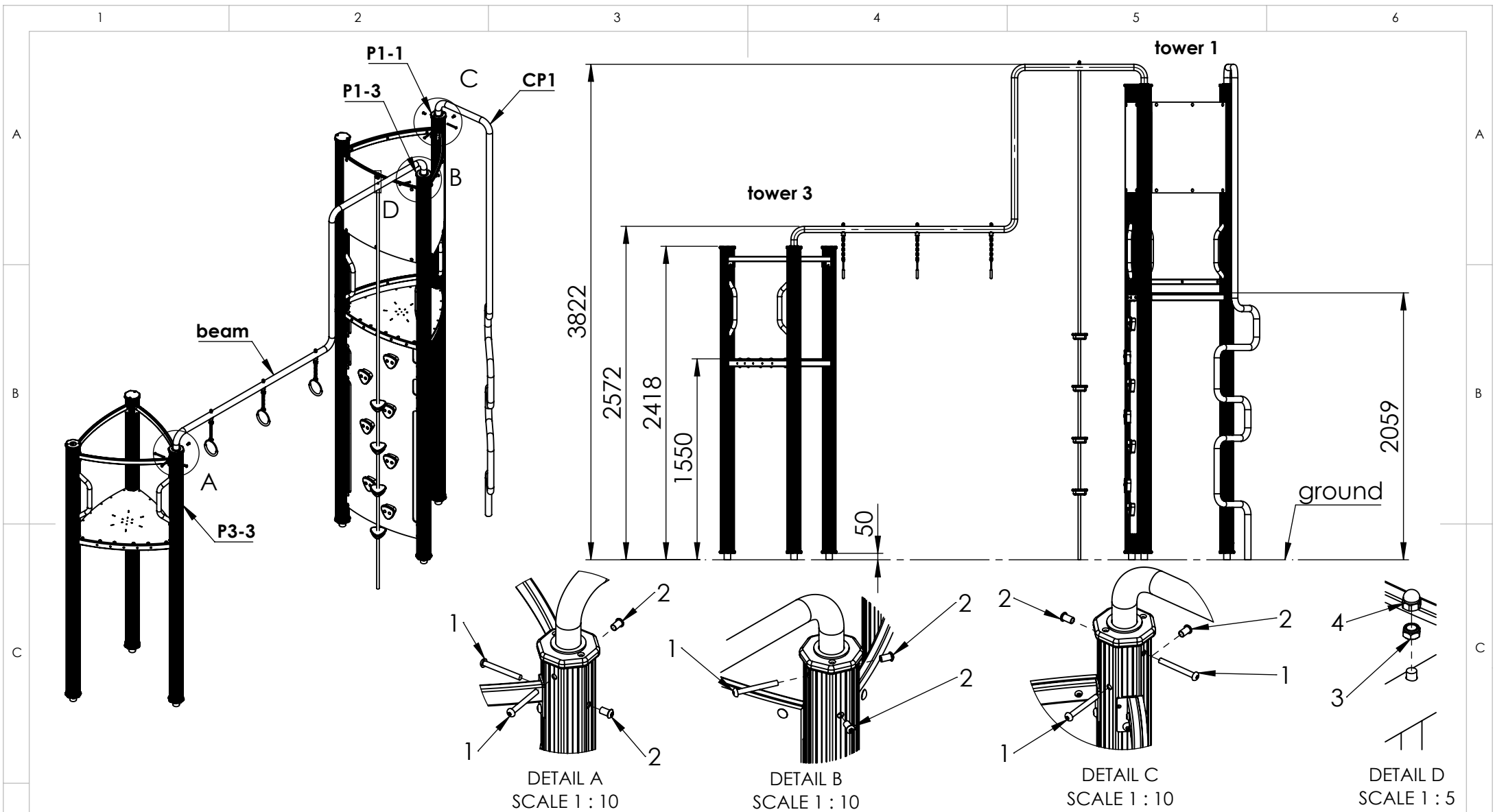
SCALE: 1:10

SHEET 9 OF 12



Tiptaptap OÜ

Tiptaptap OÜ
Veetorni 9,
Jüri alevik, Rae vald,
75301 Harjumaa



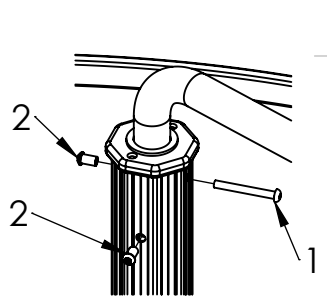
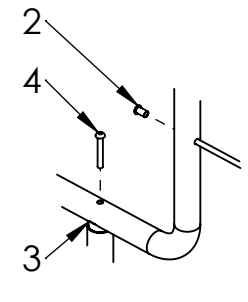
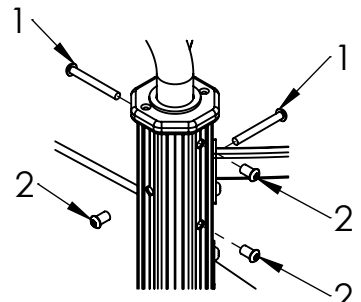
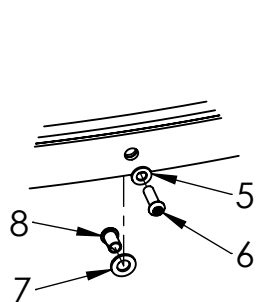
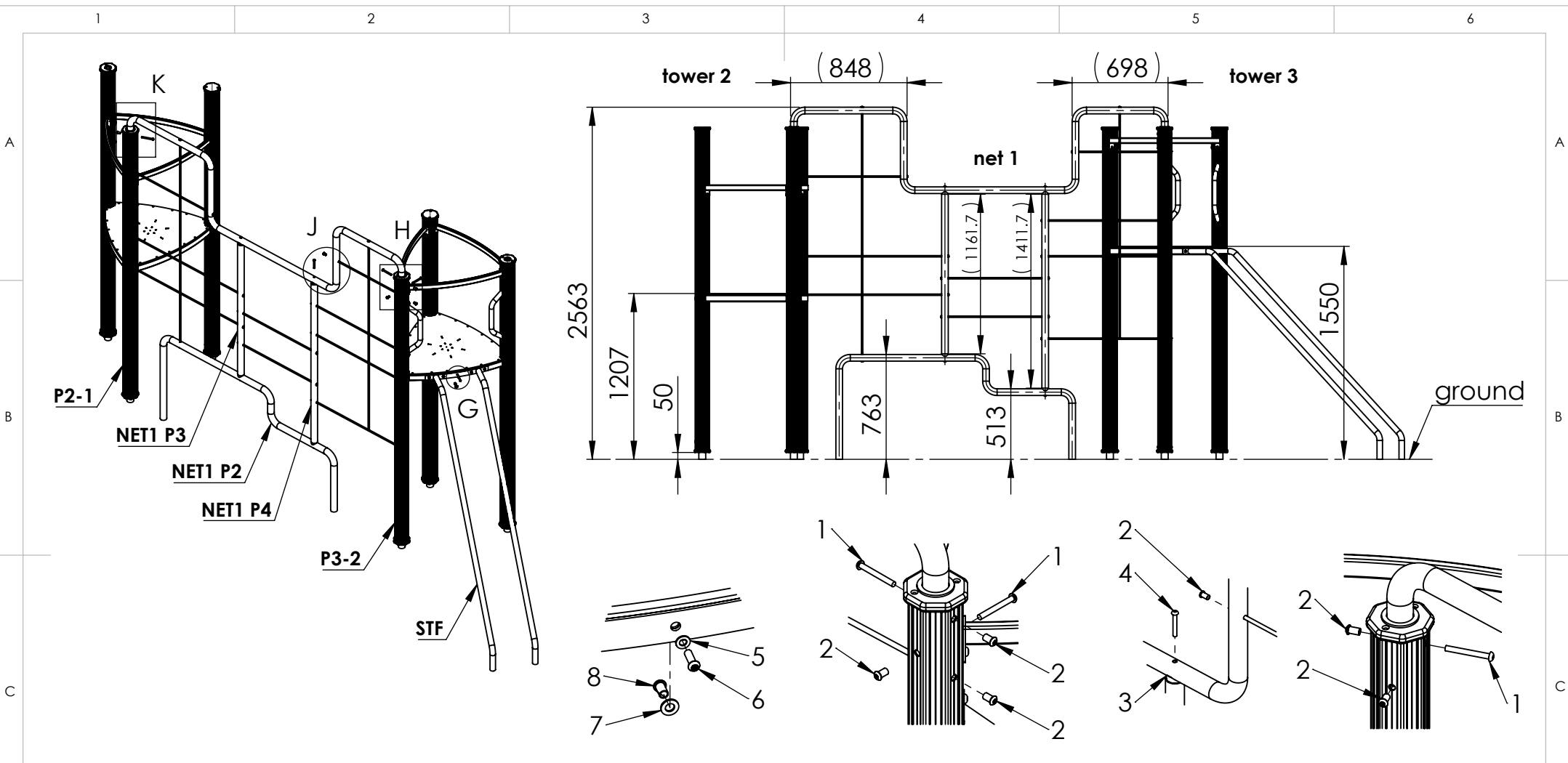
ITEM NO.	PART NUMBER
1	bolt M10x85 DIN7380
2	pin torx nut M10x20
3	nut M10 DIN985
4	domed cap nut M10 DIN986

UNLESS OTHERWISE SPECIFIED:
 DIMENSIONS ARE IN MILLIMETERS
 WEIGHT ARE IN KILOGRAMM

	NAME	SIGNATURE	DATE	REVISION
DRAWN	M. Kalamees		25-Nov-19	
APPV'D				

Tiptiptap OÜ
 Tiptiptap OÜ
 Veetorni 9,
 Jüri alevik, Rae vald,
 75301 Harjumaa

PART NUMBER / DWG NO.: OCT103	
DESCRIPTION: Climbing complex	
MATERIAL:	metal, plastic, rubber
WEIGHT:	SCALE: 1:40
SHEET 10 OF 12	



ITEM NO.	PART NUMBER
1	bolt M10x85 DIN7380
2	pin torx nut M10x20
3	support washer
4	bolt M10x70 DIN7380
5	washer M8 DIN125
6	pin torx bolt M8x25 DIN7380
7	washer M10 DIN125
8	pin torx nut M18x16 DIN7380

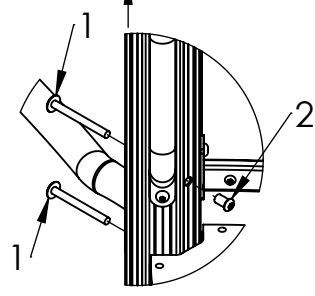
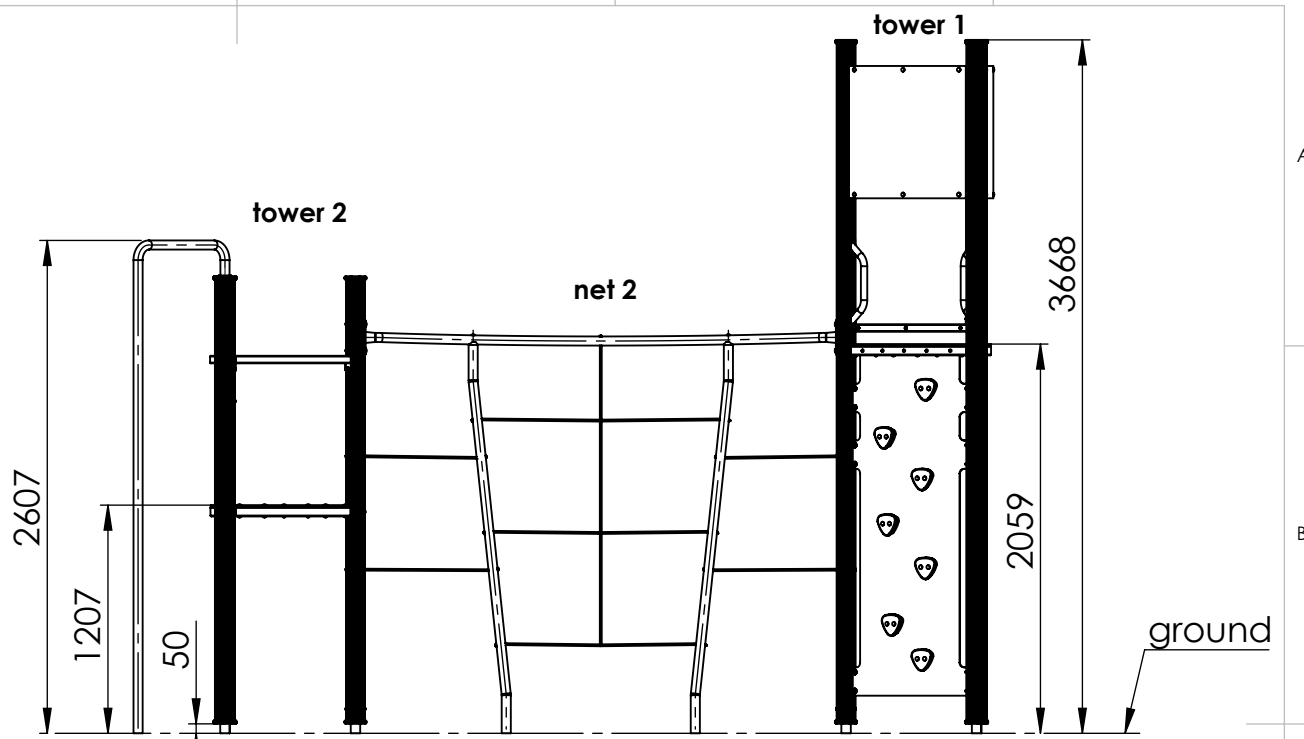
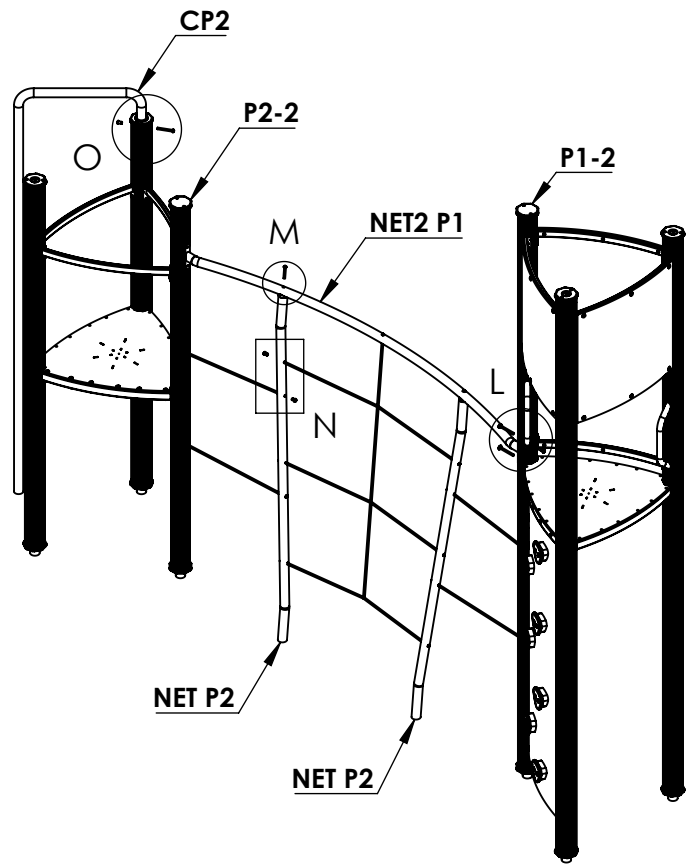
UNLESS OTHERWISE SPECIFIED:
DIMENSIONS ARE IN MILLIMETERS
WEIGHT ARE IN KILOGRAMM

	NAME	SIGNATURE	DATE	REVISION
DRAWN	M. Kalamees		25-Nov-19	
APPV'D				

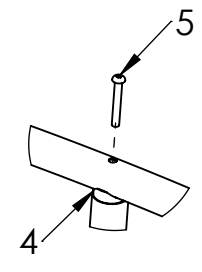
PART NUMBER / DWG NO.:		OCT103	
DESCRIPTION:			
Climbing complex			
MATERIAL:		metal, plastic, rubber	A4
WEIGHT:		SCALE: 1:40	SHEET 11 OF 12



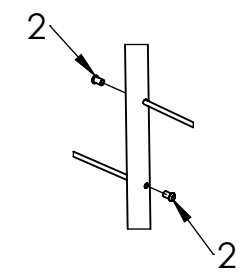
Tiptiptap OÜ
Tiptiptap OÜ
Veetorni 9,
Jüri alevik, Rae vald,
75301 Harjumaa



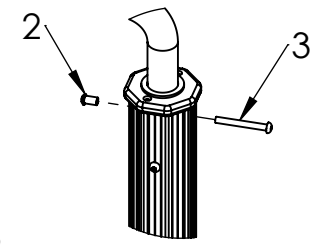
DETAIL L
SCALE 1 : 10



DETAIL M
SCALE 1 : 10



DETAIL N
SCALE 1 : 16



DETAIL O
SCALE 1 : 12

ITEM NO.	PART NUMBER
1	bolt M10x100 DIN603
2	pin torx nut M10x20
3	bolt M10x85 DIN7380
4	support washer
5	bolt M10x70 DIN7380

UNLESS OTHERWISE SPECIFIED:
DIMENSIONS ARE IN MILLIMETERS
WEIGHT ARE IN KILOGRAMM

	NAME	SIGNATURE	DATE	REVISION
DRAWN	M. Kalamees		25-Nov-19	
APPV'D				



Tiptiptap OÜ
Tiptiptap OÜ
Veetorni 9,
Jüri alevik, Rae vald,
75301 Harjumaa

PART NUMBER / DWG NO.: **OCT103**

DESCRIPTION:
Climbing complex

MATERIAL: **metal, plastic, rubber** A4

WEIGHT: SCALE: 1:40 SHEET 12 OF 12