

A

B

C

D

E



UNLESS OTHERWISE SPECIFIED:
DIMENSIONS ARE IN MILLIMETERS
WEIGHT ARE IN KILOGRAMM

PART NUMBER / DWG NO.:

OCT106

| | NAME | SIGNATURE | DATE | REVISION |
|--------|--------|-----------|------------|----------|
| DRAWN | I.Agar | | 09.11.2020 | |
| APPV'D | | | | |

DESCRIPTION:

Climbing complex

F



Tiptiptap OÜ

Tiptiptap OÜ
Veetorni 9,
Jüri alevik, Rae vald,
75301 Harjumaa

MATERIAL:

metal, plastic, rubber

A4

WEIGHT:

SCALE: 1:40

SHEET 1 OF 18

safety area

A

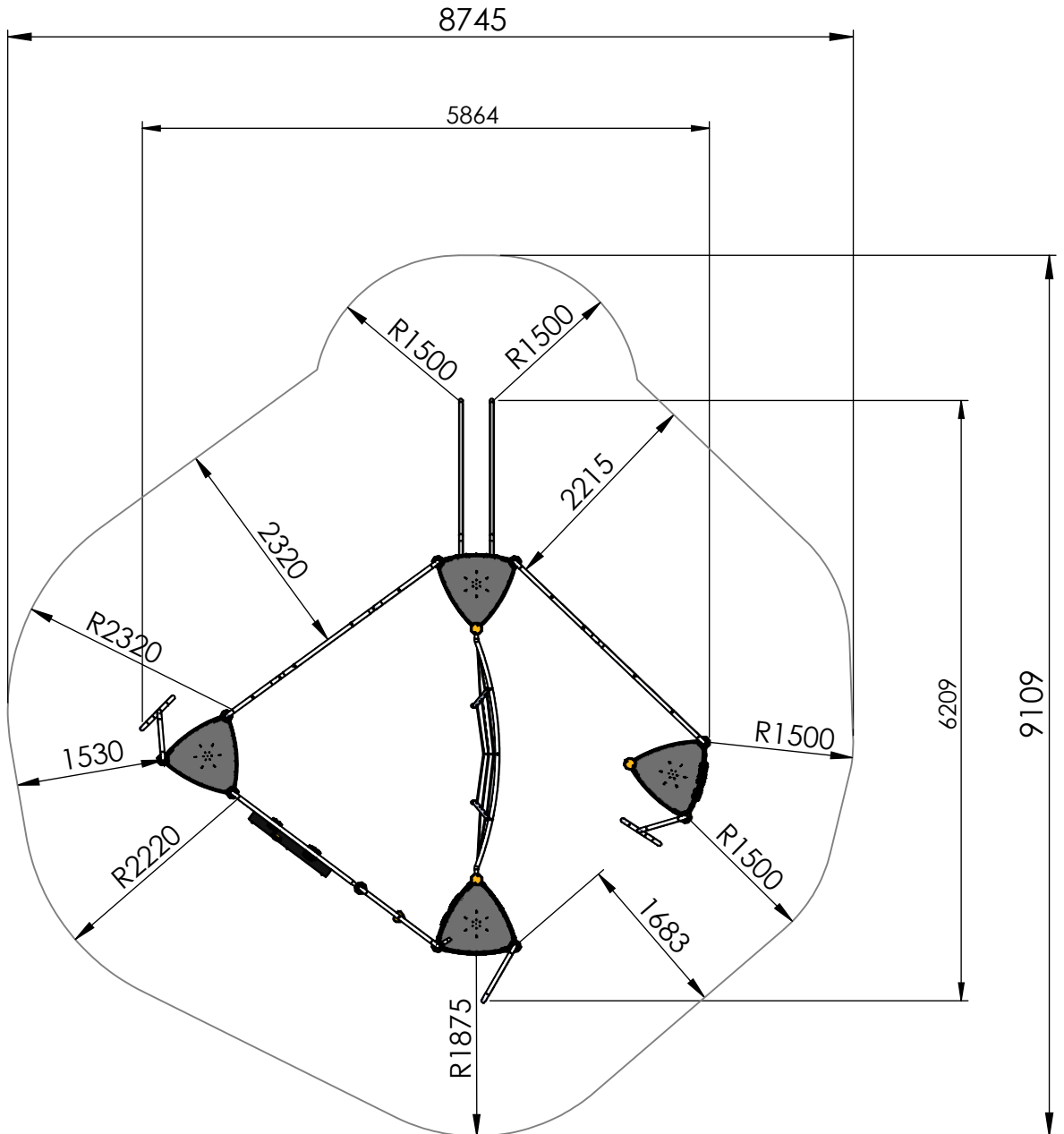
B

C

D

E

F



UNLESS OTHERWISE SPECIFIED:
DIMENSIONS ARE IN MILLIMETERS
WEIGHT ARE IN KILOGRAMM

PART NUMBER / DWG NO.:

OCT106

| | NAME | SIGNATURE | DATE | REVISION |
|--------|--------|-----------|------------|----------|
| DRAWN | I.Agar | | 09.11.2020 | |
| APPV'D | | | | |

DESCRIPTION:

Climbing complex

MATERIAL:

metal, plastic, rubber

A4

WEIGHT:

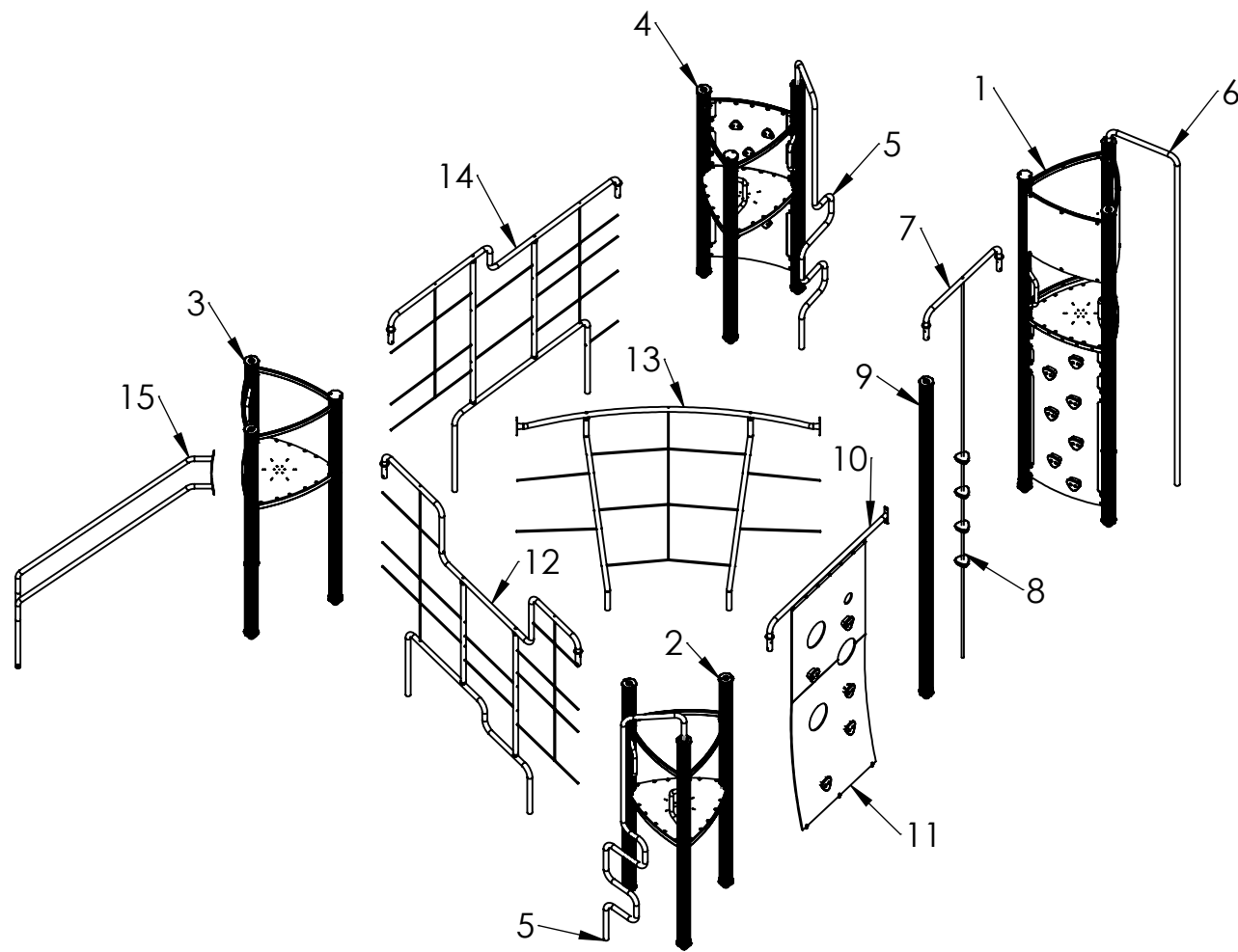
SCALE: 1:70

SHEET 2 OF 18



Tiptiptap OÜ

Tiptiptap OÜ
Veetorni 9,
Jüri alevik, Rae vald,
75301 Harjumaa



UNLESS OTHERWISE SPECIFIED:
 DIMENSIONS ARE IN MILLIMETERS
 WEIGHT ARE IN KILOGRAMM

PART NUMBER / DWG NO.:
OCT106

| | NAME | SIGNATURE | DATE | REVISION |
|--------|--------|-----------|------------|----------|
| DRAWN | I.Agar | | 09.11.2020 | |
| APPV'D | | | | |

DESCRIPTION:
Climbing complex




Tiptaptap OÜ
 Veetorni 9,
 Jüri alevik, Rae vald,
 75301 Harjumaa

| | | |
|-----------|------------------------|---------------|
| MATERIAL: | metal, plastic, rubber | A4 |
| WEIGHT: | SCALE: 1:60 | SHEET 3 OF 18 |

| ITEM NO. | PART NUMBER | |
|----------|--|---|
| 1 | tower 1 | 1 |
| 2 | tower 2 | 1 |
| 3 | tower 3 | 1 |
| 4 | tower 4 | 1 |
| 5 | climbing post type 2 | 2 |
| 6 | climbing post type 1 | 1 |
| 7 | beam for climbing rope | 1 |
| 8 | climbing rope \varnothing 16x4365 with knots | 1 |
| 9 | post L3600 | 1 |
| 10 | beam with climbing wall connection | 1 |
| 11 | climbing wall 2540x1000 with knots | 1 |
| 12 | climbing net 1 | 1 |
| 13 | climbing net 2 | 1 |
| 14 | climbing net 3 | 1 |
| 15 | sliding tube frame | 1 |



| | | | | | |
|--|--------|-----------|------------|---|------------------------|
| UNLESS OTHERWISE SPECIFIED: DIMENSIONS ARE IN MILLIMETERS WEIGHT ARE IN KILOGRAMM | | | | PART NUMBER / DWG NO.: OCT106 | |
| | NAME | SIGNATURE | DATE | REVISION | |
| DRAWN | I.Agar | | 09.11.2020 | | |
| APPV'D | | | | | |
|  Tiptiptap OÜ Veetorni 9, Jüri alevik, Rae vald, 75301 Harjumaa | | | | DESCRIPTION: Climbing complex | |
| | | | | MATERIAL: | metal, plastic, rubber |
| WEIGHT: | | | | SCALE: 1:60 | SHEET 4 OF 18 |

foundation

A

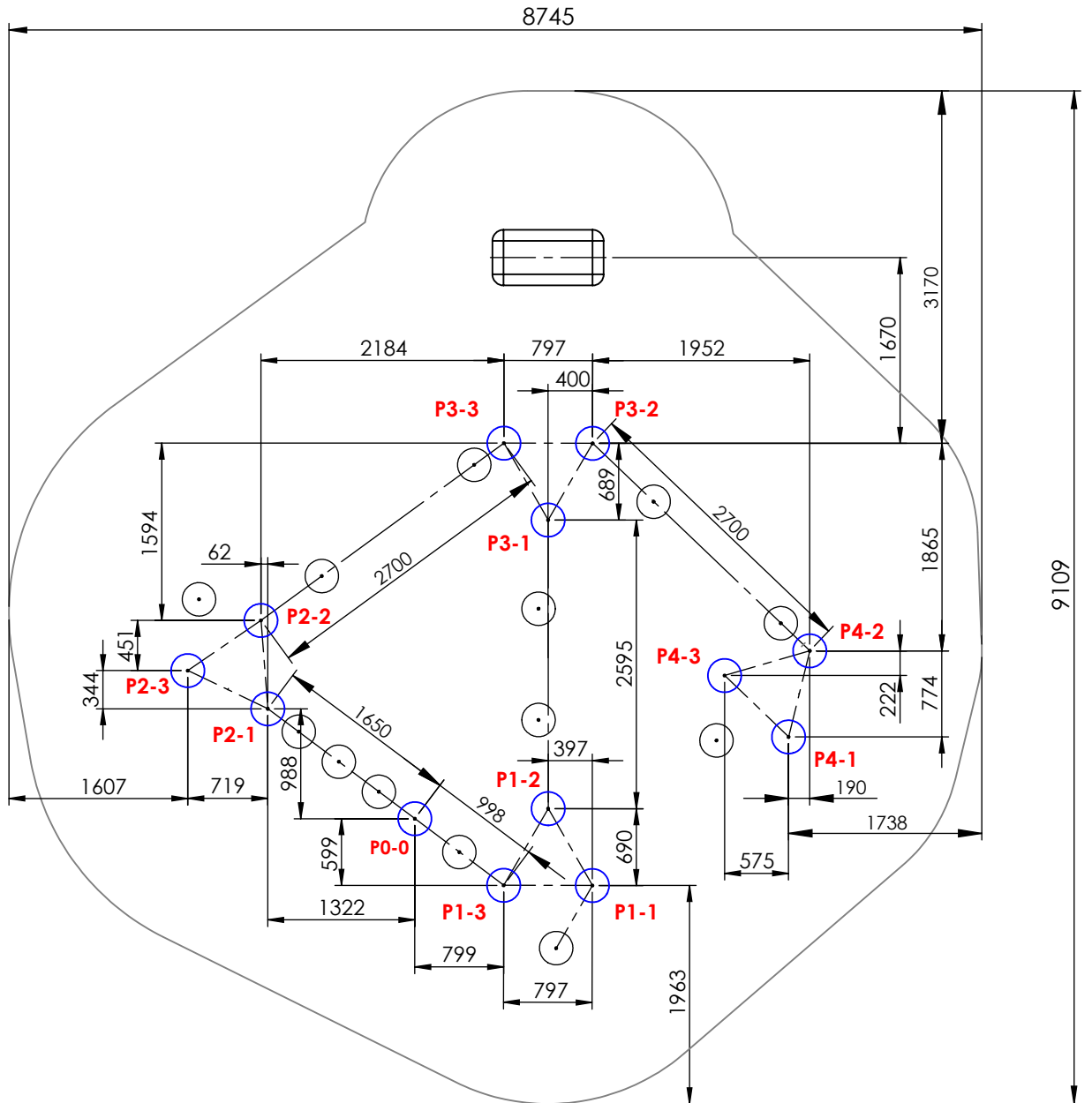
B

C

D

E

F



UNLESS OTHERWISE SPECIFIED:
DIMENSIONS ARE IN MILLIMETERS
WEIGHT ARE IN KILOGRAMM

PART NUMBER / DWG NO.:

OCT106

| | NAME | SIGNATURE | DATE | REVISION |
|--------|--------|-----------|------------|----------|
| DRAWN | I.Agar | | 09.11.2020 | |
| APPV'D | | | | |

DESCRIPTION:

Climbing complex

MATERIAL:

metal, plastic, rubber

A4

WEIGHT:

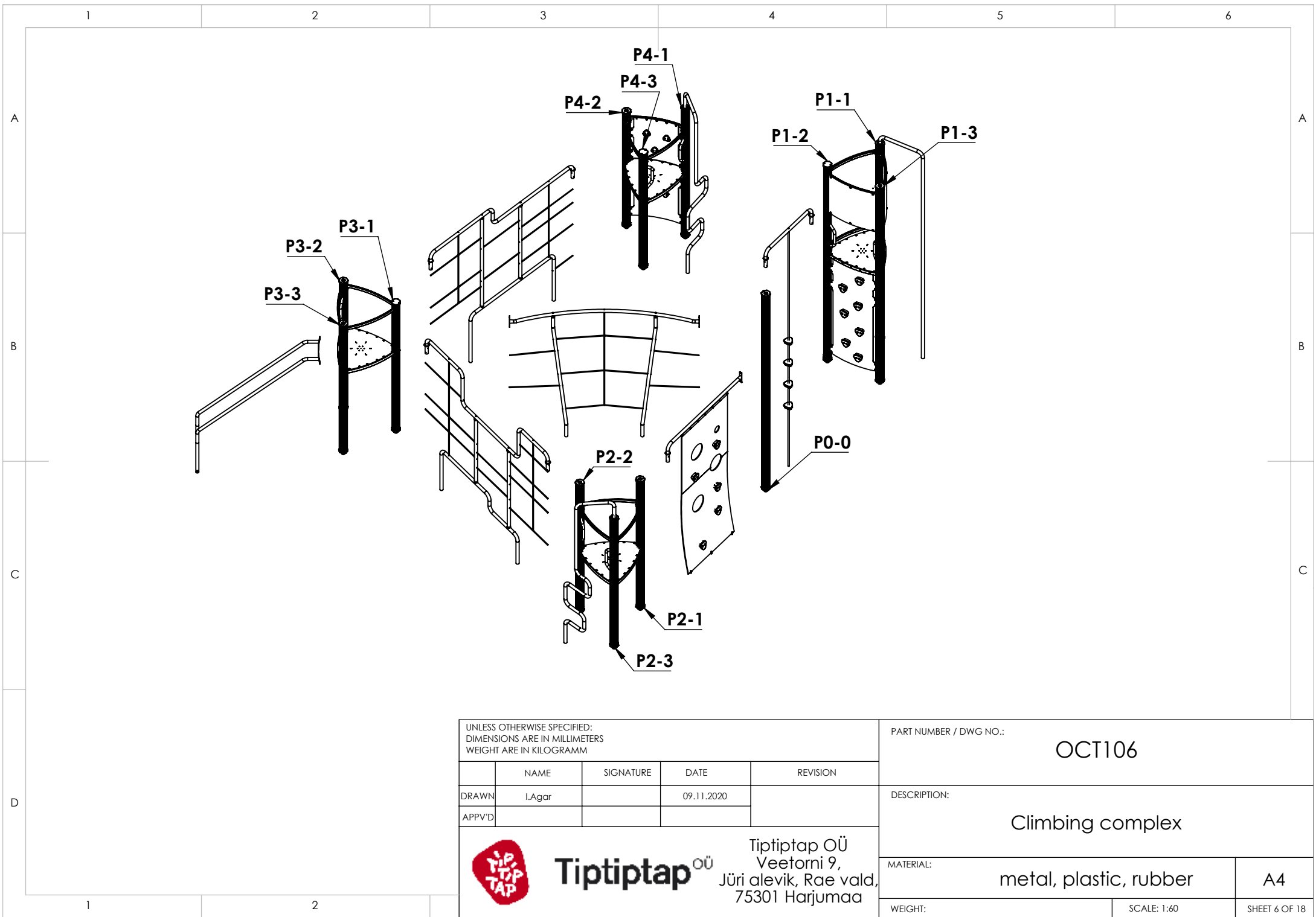
SCALE: 1:60

SHEET 5 OF 18



Tiptiptap OÜ

Tiptiptap OÜ
Veetorni 9,
Jüri alevik, Rae vald,
75301 Harjumaa



UNLESS OTHERWISE SPECIFIED:
 DIMENSIONS ARE IN MILLIMETERS
 WEIGHT ARE IN KILOGRAMM

PART NUMBER / DWG NO.:
OCT106

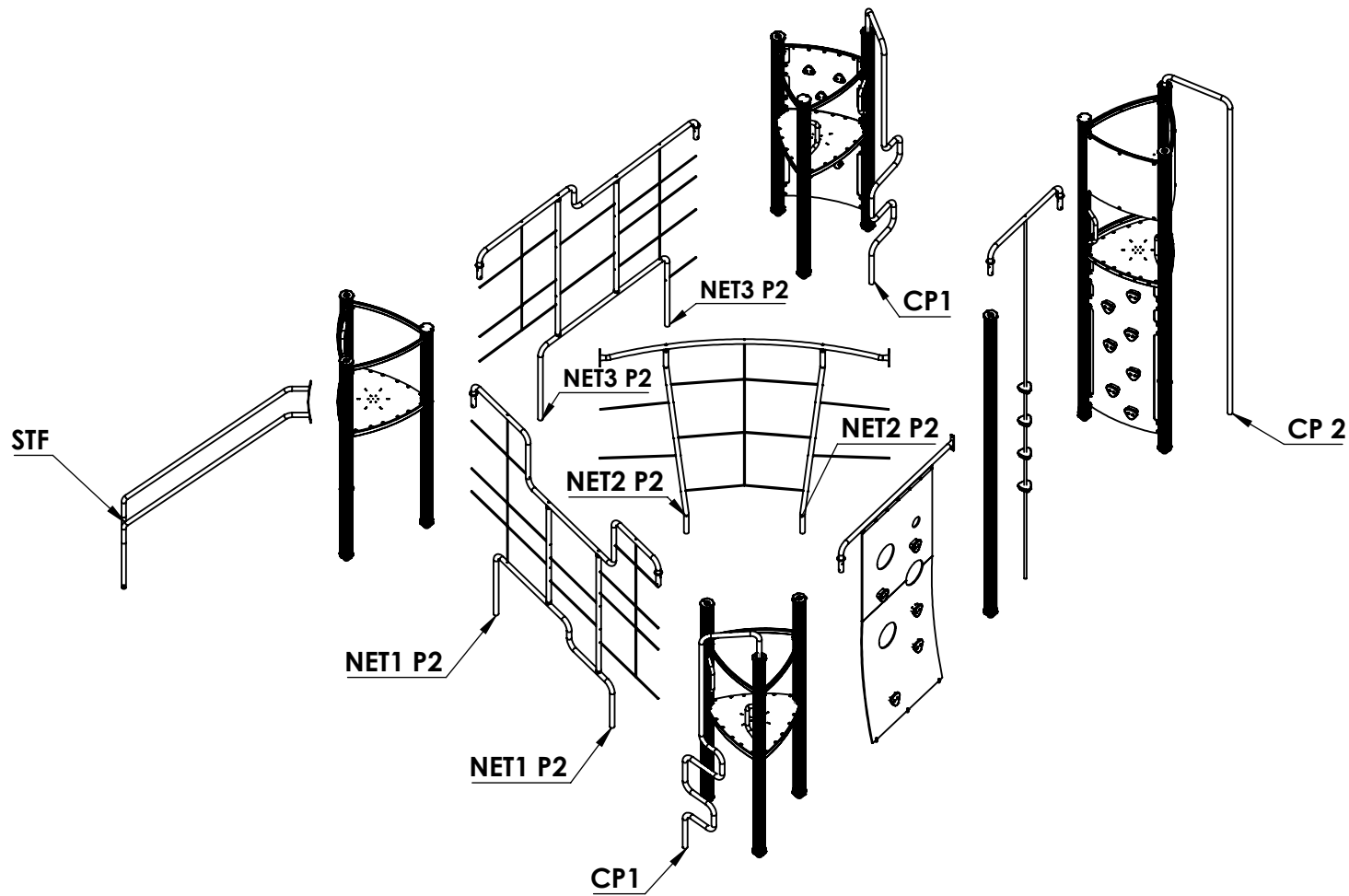
| | NAME | SIGNATURE | DATE | REVISION |
|--------|--------|-----------|------------|----------|
| DRAWN | I.Agar | | 09.11.2020 | |
| APPV'D | | | | |

DESCRIPTION:
Climbing complex



Tiptaptap OÜ
 Veetorni 9,
 Jüri alevik, Rae vald,
 75301 Harjumaa

| | | |
|-----------|------------------------|---------------|
| MATERIAL: | metal, plastic, rubber | A4 |
| WEIGHT: | SCALE: 1:60 | SHEET 6 OF 18 |



UNLESS OTHERWISE SPECIFIED:
DIMENSIONS ARE IN MILLIMETERS
WEIGHT ARE IN KILOGRAMM

| | NAME | SIGNATURE | DATE | REVISION |
|--------|--------|-----------|------------|----------|
| DRAWN | I.Agar | | 09.11.2020 | |
| APPV'D | | | | |



Tiptaptap OÜ

Tiptaptap OÜ
Veetorni 9,
Jüri alevik, Rae vald,
75301 Harjumaa

PART NUMBER / DWG NO.:

OCT106

DESCRIPTION:

Climbing complex

MATERIAL:

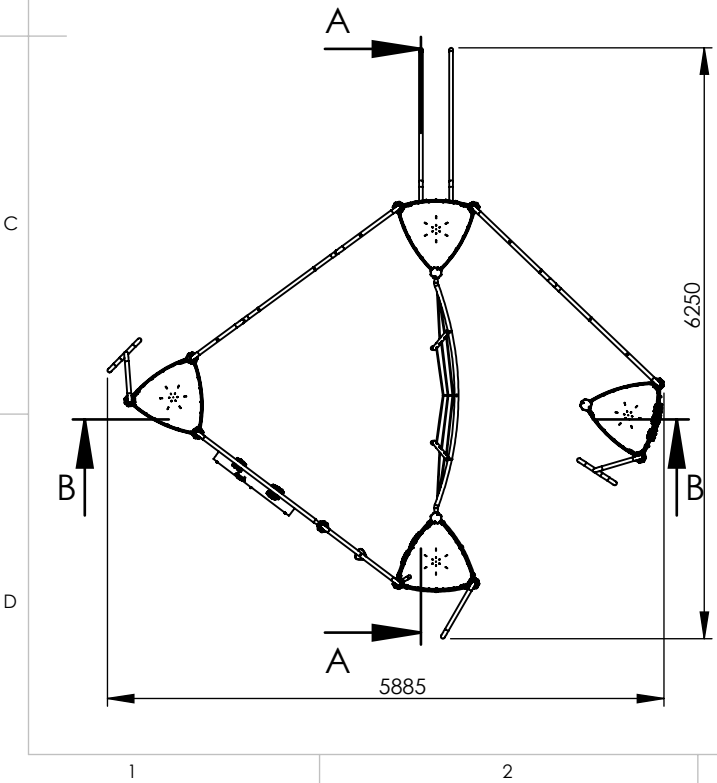
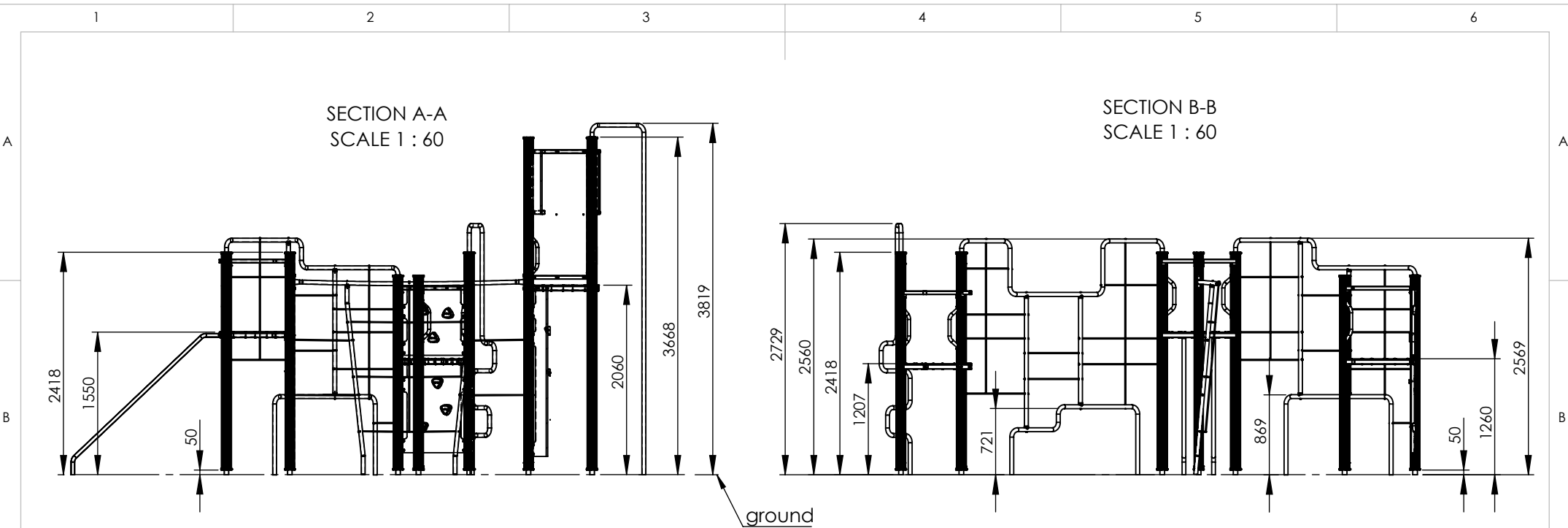
metal, plastic, rubber

A4

WEIGHT:

SCALE: 1:60

SHEET 8 OF 18



UNLESS OTHERWISE SPECIFIED:
 DIMENSIONS ARE IN MILLIMETERS
 WEIGHT ARE IN KILOGRAMM

| | NAME | SIGNATURE | DATE | REVISION |
|--------|--------|-----------|------------|----------|
| DRAWN | I.Agar | | 09.11.2020 | |
| APPV'D | | | | |

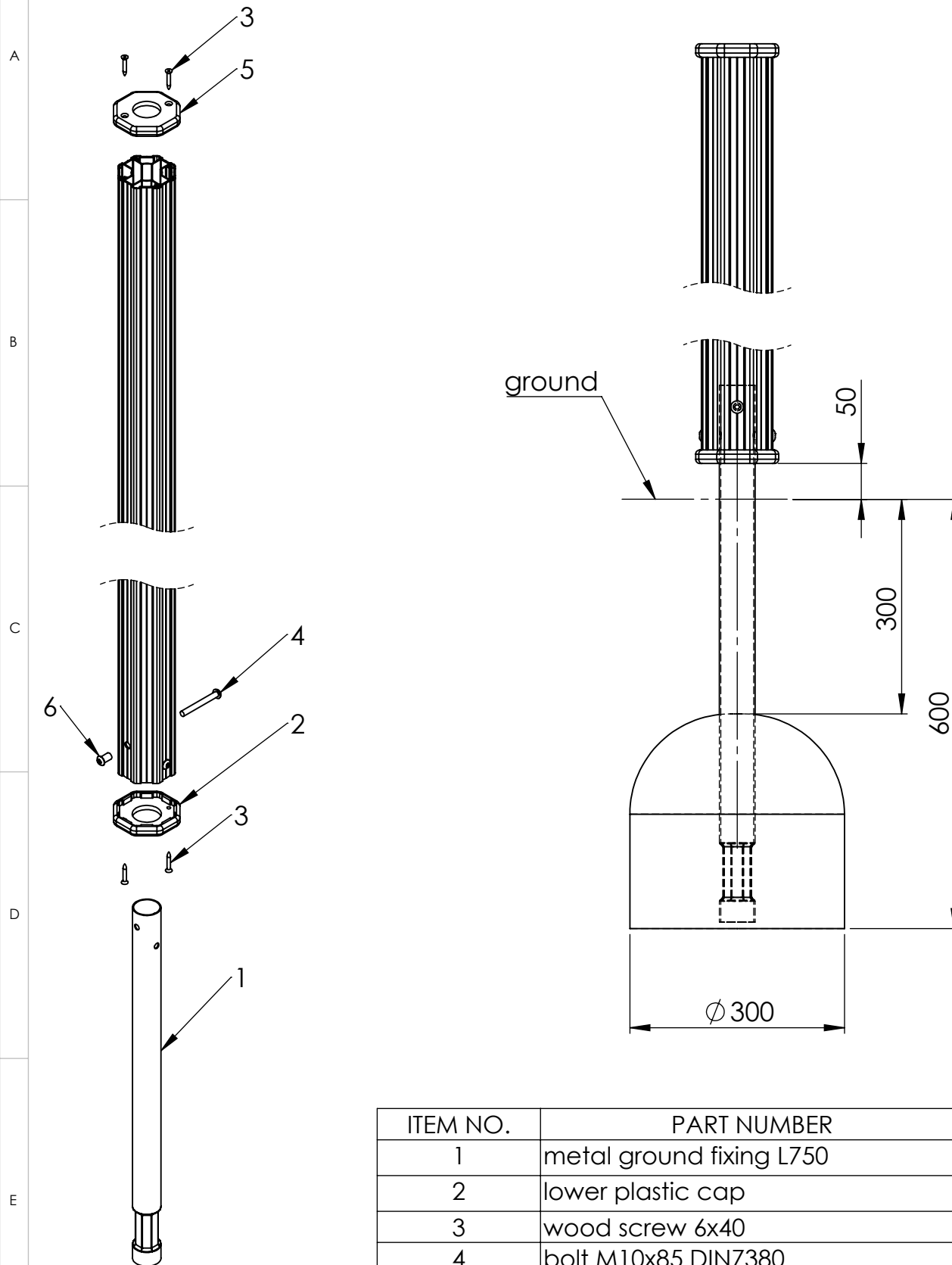
PART NUMBER / DWG NO.:
OCT106

DESCRIPTION:
Climbing complex



Tiptaptap OÜ
 Veetorni 9,
 Jüri alevik, Rae vald,
 75301 Harjumaa

| | | |
|-----------|------------------------|---------------|
| MATERIAL: | metal, plastic, rubber | A4 |
| WEIGHT: | SCALE: 1:80 | SHEET 9 OF 18 |



| ITEM NO. | PART NUMBER | QTY. |
|----------|--------------------------|------|
| 1 | metal ground fixing L750 | 1 |
| 2 | lower plastic cap | 1 |
| 3 | wood screw 6x40 | 4 |
| 4 | bolt M10x85 DIN7380 | 2 |
| 5 | upper plastic cap | 1 |
| 6 | pin torx nut M10x20 | 2 |

UNLESS OTHERWISE SPECIFIED:
DIMENSIONS ARE IN MILLIMETERS
WEIGHT ARE IN KILOGRAMM

PART NUMBER / DWG NO.:

OCT106

| | NAME | SIGNATURE | DATE | REVISION |
|--------|--------|-----------|------------|----------|
| DRAWN | I.Agar | | 09.11.2020 | |
| APPV'D | | | | |

DESCRIPTION:

Climbing complex

MATERIAL:

metal, plastic, rubber

A4

WEIGHT:

SCALE: 1:10

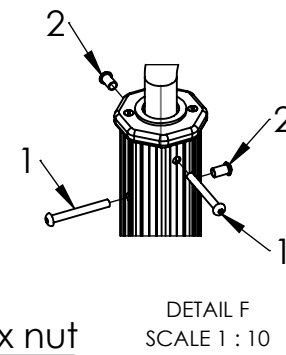
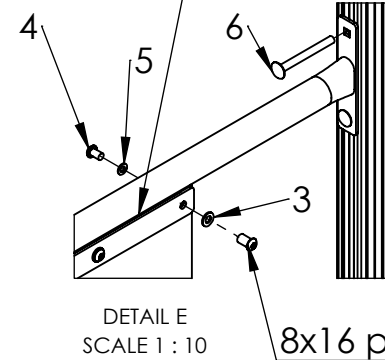
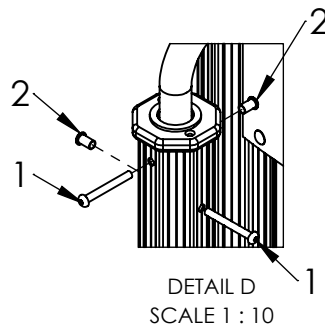
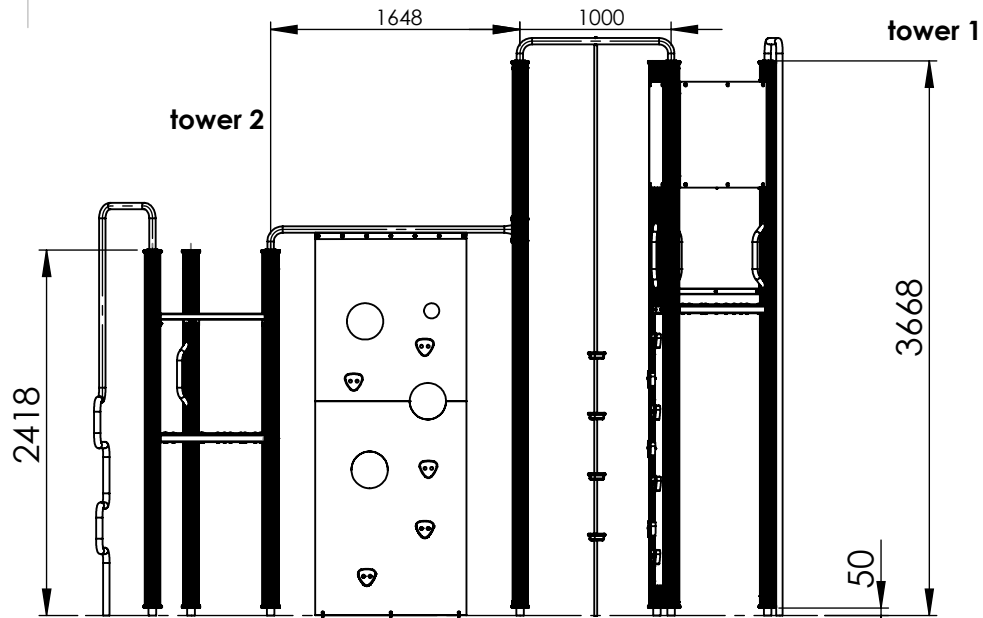
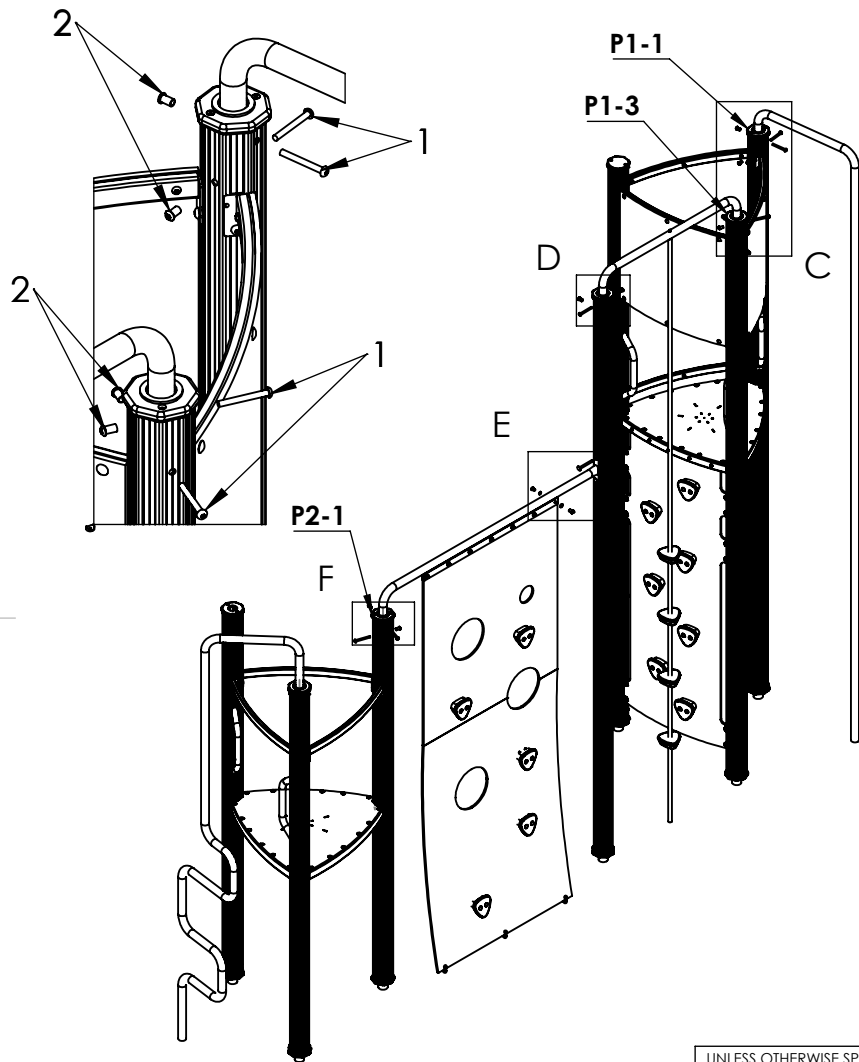
SHEET 10 OF 18



Tiptiptap OÜ

Tiptiptap OÜ
Veetorni 9,
Jüri alevik, Rae vald,
75301 Harjumaa

DETAIL C
SCALE 1 : 12



8x16 pintorx nut

| ITEM NO. | PART NUMBER |
|----------|-----------------------------|
| 1 | bolt M10x85 DIN7380 |
| 2 | pin torx nut M10x20 |
| 3 | washer M10 DIN125 |
| 4 | pin torx bolt M8x16 DIN7380 |
| 5 | washer M8 DIN125 |
| 6 | bolt DIN603 M10x95 |

UNLESS OTHERWISE SPECIFIED:
DIMENSIONS ARE IN MILLIMETERS
WEIGHT ARE IN KILOGRAMM

| | NAME | SIGNATURE | DATE | REVISION |
|--------|--------|-----------|------------|----------|
| DRAWN | I.Agar | | 09.11.2020 | |
| APPV'D | | | | |



Tiptaptap OÜ

Tiptaptap OÜ
Veetorni 9,
Jüri alevik, Rae vald,
75301 Harjumaa

PART NUMBER / DWG NO.:

OCT106

DESCRIPTION:

Climbing complex

MATERIAL:

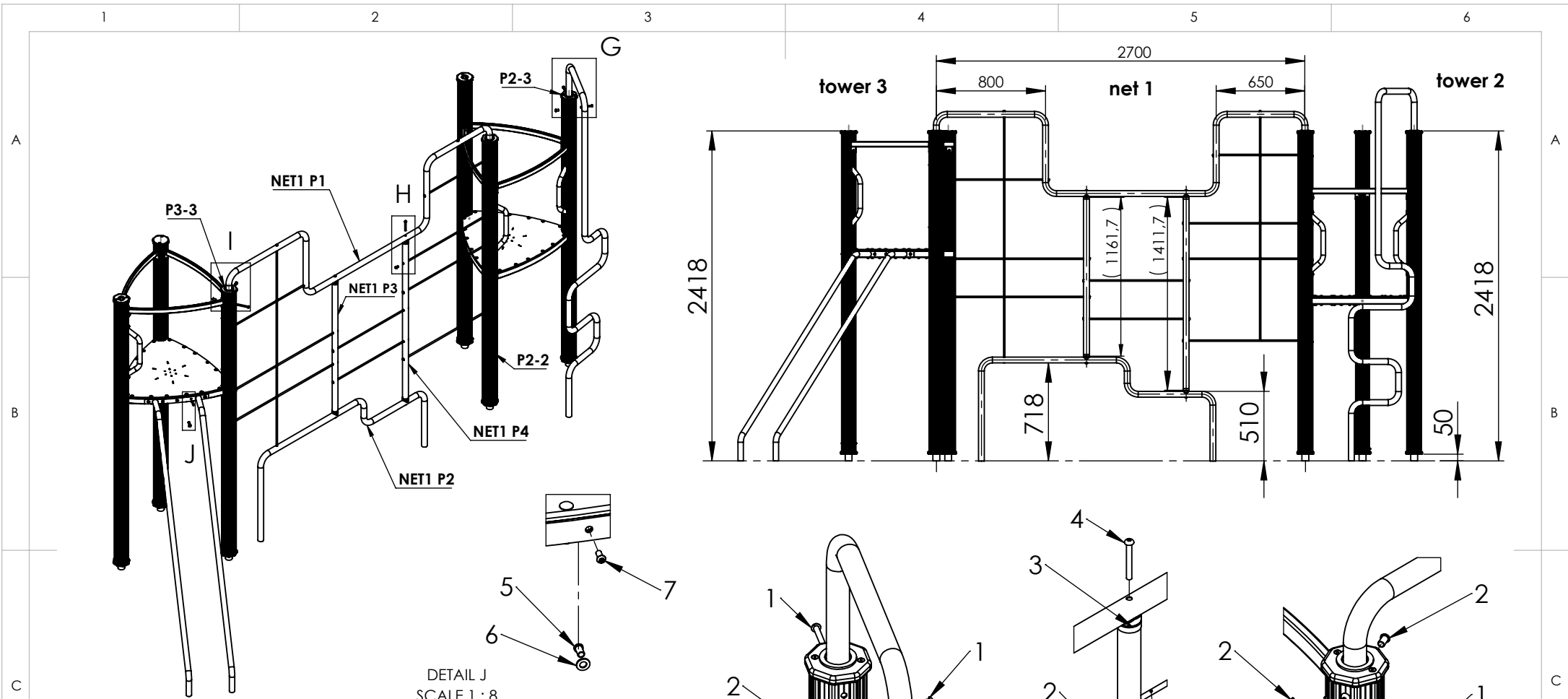
metal, plastic, rubber

A4

WEIGHT:

SCALE: 1:40

SHEET 11 OF 18



| ITEM NO. | PART NUMBER |
|----------|------------------------------|
| 1 | bolt M10x85 DIN7380 |
| 2 | pin torx nut M10x20 |
| 3 | support washer |
| 4 | bolt M10x80 DIN7380 |
| 5 | pin torx nut M10x20 |
| 6 | washer M13 DIN125 |
| 7 | pin torx bolt M10x25 DIN7380 |

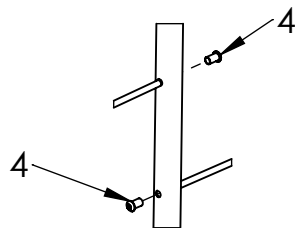
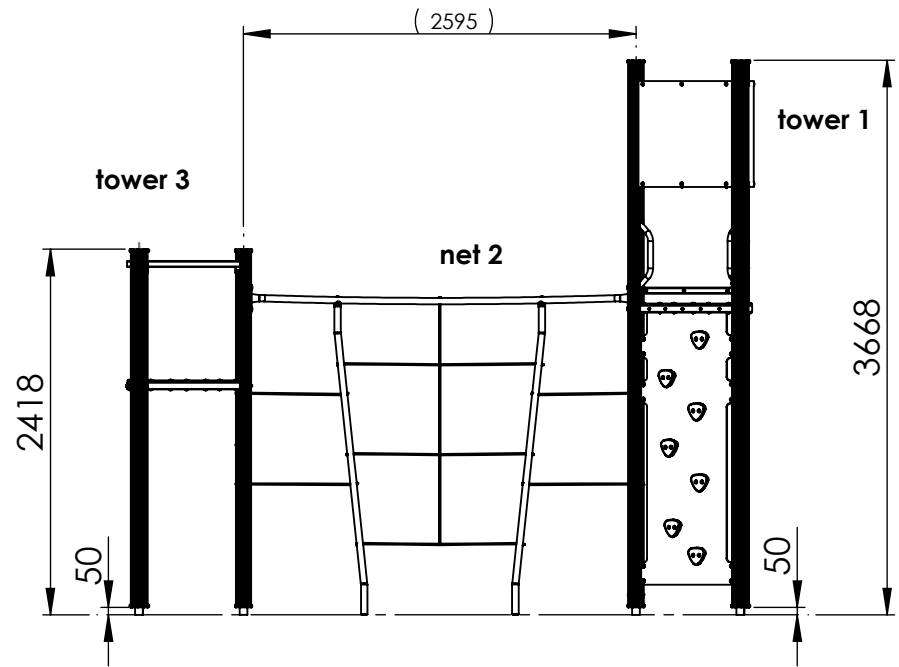
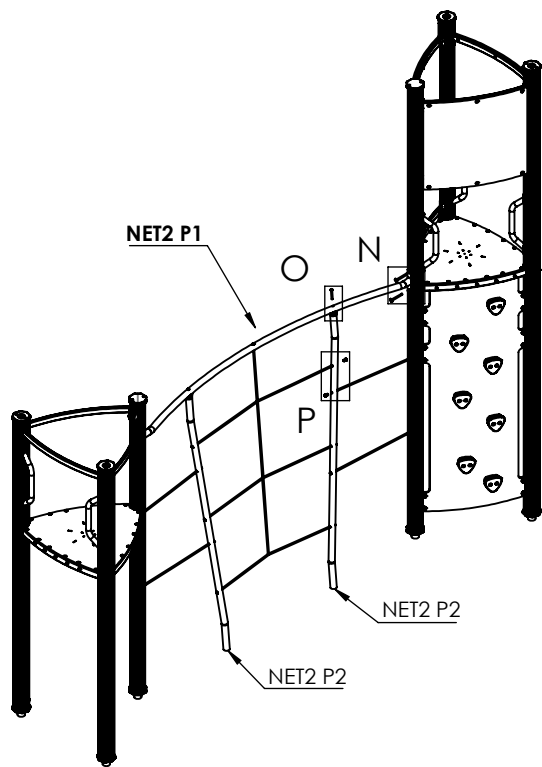
| | | | | |
|---|--------|-----------|------------|----------|
| UNLESS OTHERWISE SPECIFIED: DIMENSIONS ARE IN MILLIMETERS WEIGHT ARE IN KILOGRAMM | | | | |
| | NAME | SIGNATURE | DATE | REVISION |
| DRAWN | I.Agar | | 09.11.2020 | |
| APPV'D | | | | |



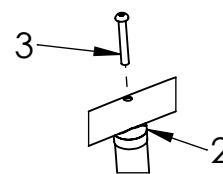
Tiptiptap OÜ

Tiptiptap OÜ
Veetorni 9,
Jüri alevik, Rae vald,
75301 Harjumaa

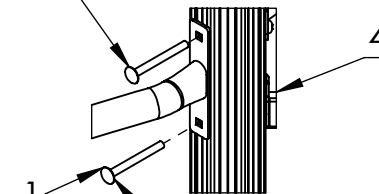
| | | | |
|------------------------|------------------------|-------------|----------------|
| PART NUMBER / DWG NO.: | | OCT106 | |
| DESCRIPTION: | | | |
| Climbing complex | | | |
| MATERIAL: | metal, plastic, rubber | A4 | |
| WEIGHT: | | SCALE: 1:40 | SHEET 12 OF 18 |



DETAIL P
SCALE 1 : 12



DETAIL O
SCALE 1 : 10



DETAIL N
SCALE 1 : 10

UNLESS OTHERWISE SPECIFIED:
DIMENSIONS ARE IN MILLIMETERS
WEIGHT ARE IN KILOGRAMM

PART NUMBER / DWG NO.:

OCT106

| ITEM NO. | PART NUMBER |
|----------|---------------------|
| 1 | bolt M10x100 DIN603 |
| 2 | support washer |
| 3 | bolt M10x80 DIN7380 |
| 4 | pin torx nut M10x20 |

| | NAME | SIGNATURE | DATE | REVISION |
|--------|--------|-----------|------------|----------|
| DRAWN | I.Agar | | 09.11.2020 | |
| APPV'D | | | | |

DESCRIPTION:

Climbing complex

MATERIAL:

metal, plastic, rubber

A4

WEIGHT:

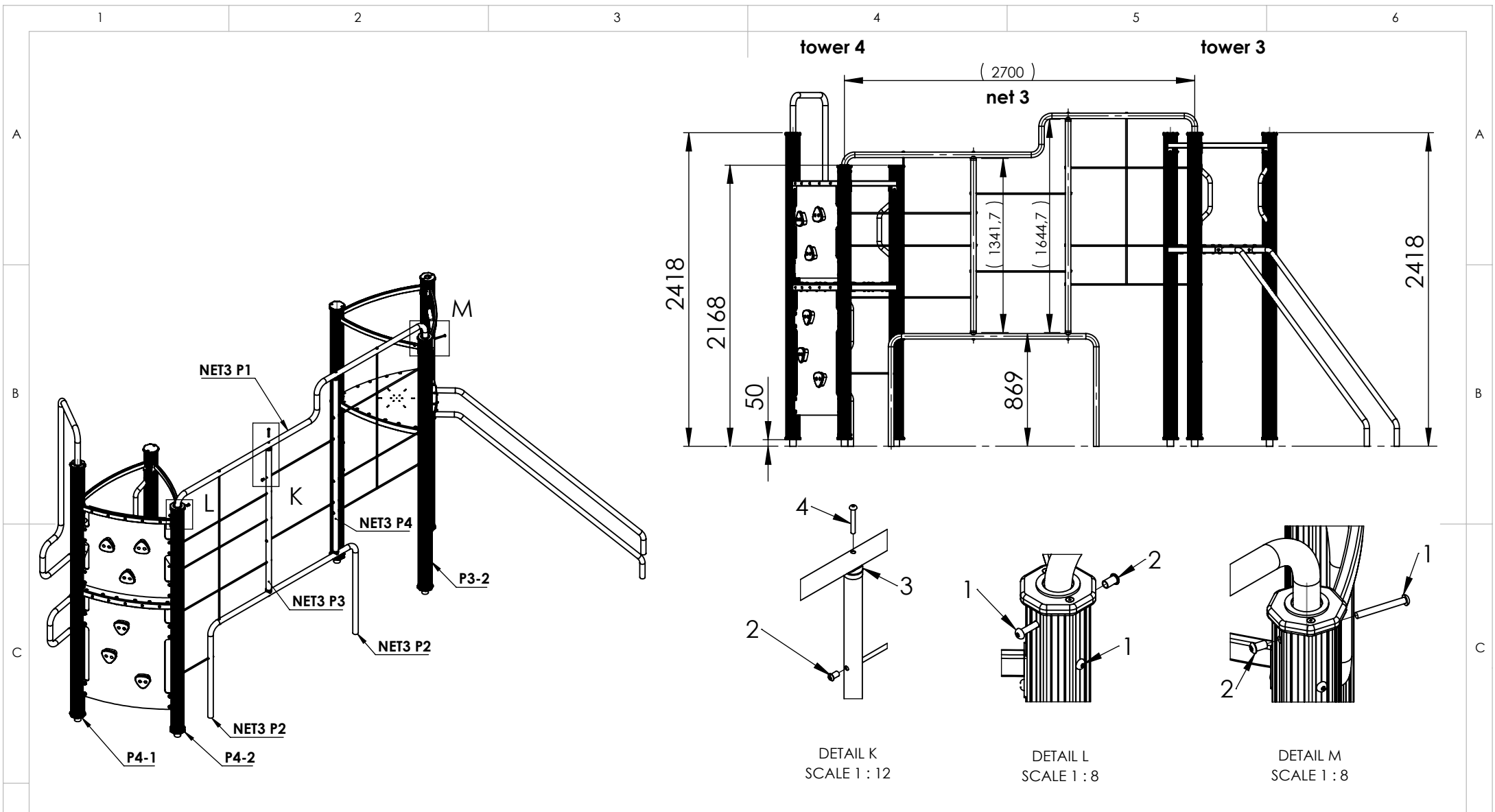
SCALE: 1:40

SHEET 13 OF 18



Tiptaptap OÜ

Tiptaptap OÜ
Veetorni 9,
Jüri alevik, Rae vald,
75301 Harjumaa



| ITEM NO. | PART NUMBER |
|----------|---------------------|
| 1 | bolt M10x85 DIN7380 |
| 2 | pin torx nut M10x20 |
| 3 | support washer |
| 4 | bolt M10x80 DIN7380 |

UNLESS OTHERWISE SPECIFIED:
DIMENSIONS ARE IN MILLIMETERS
WEIGHT ARE IN KILOGRAMM

| | NAME | SIGNATURE | DATE | REVISION |
|--------|--------|-----------|------------|----------|
| DRAWN | I.Agar | | 09.11.2020 | |
| APPV'D | | | | |

Tiptiptap OÜ
Tiptiptap OÜ
Veetorni 9,
Jüri alevik, Rae vald,
75301 Harjumaa

| | | | |
|------------------------|------------------------|------------------|--|
| PART NUMBER / DWG NO.: | | OCT106 | |
| DESCRIPTION: | | Climbing complex | |
| MATERIAL: | metal, plastic, rubber | A4 | |
| WEIGHT: | SCALE: 1:40 | SHEET 14 OF 18 | |

A

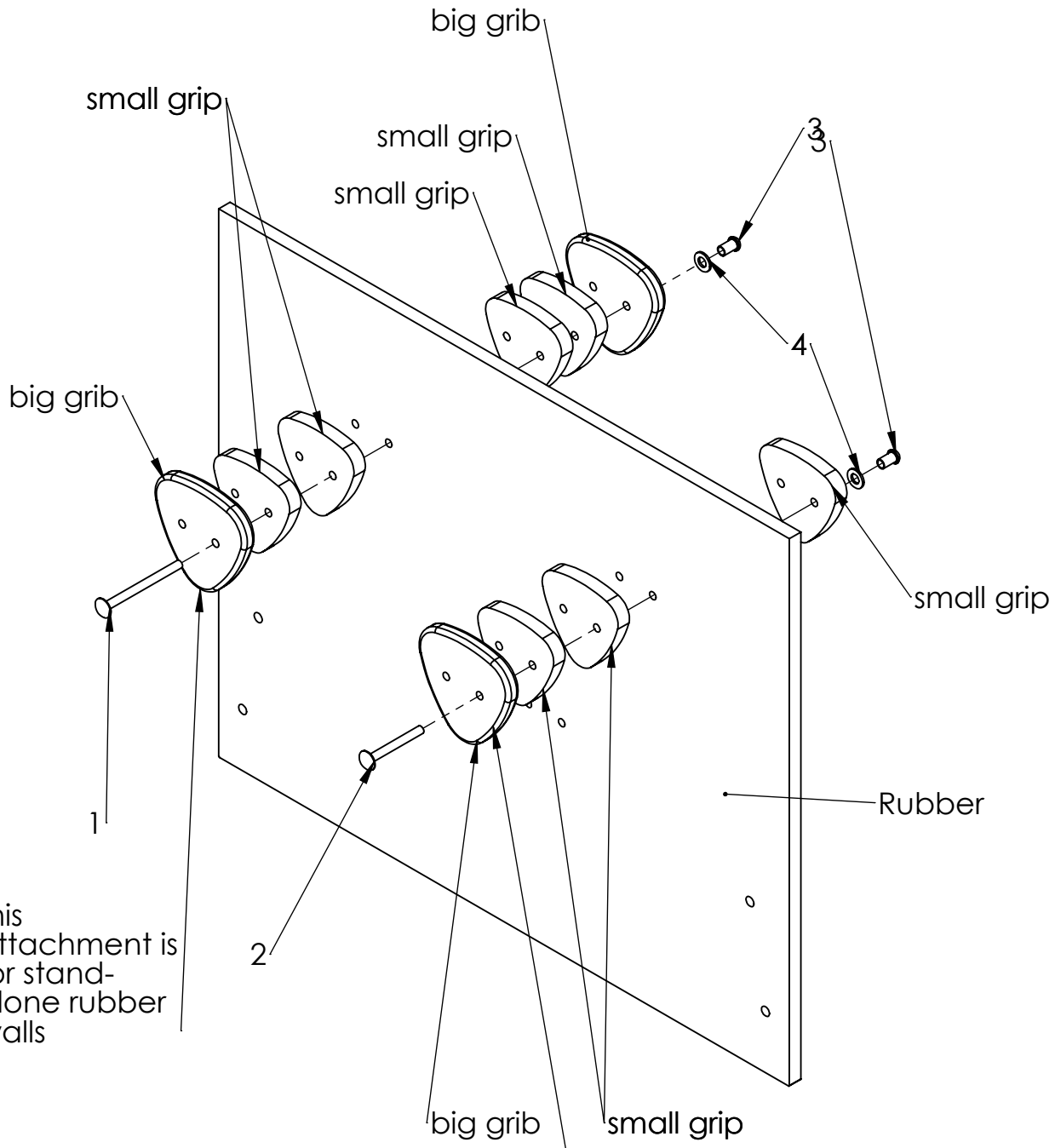
B

C

D

E

F



this attachment is for stand-alone rubber walls

this attachment is for the rubber walls attached to the towers

| ITEM NO. | PART NUMBER |
|----------|----------------------------|
| 1 | bolt DIN603 M8x100 |
| 2 | bolt M8x70 DIN603 |
| 3 | pin torx nut M8x16 DIN7380 |
| 4 | washer M10 DIN125 |

UNLESS OTHERWISE SPECIFIED:
DIMENSIONS ARE IN MILLIMETERS
WEIGHT ARE IN KILOGRAMM

PART NUMBER / DWG NO.:
OCT106

| | NAME | SIGNATURE | DATE | REVISION |
|--------|--------|-----------|------------|----------|
| DRAWN | I.Agar | | 09.11.2020 | |
| APPV'D | | | | |

DESCRIPTION:
Climbing complex

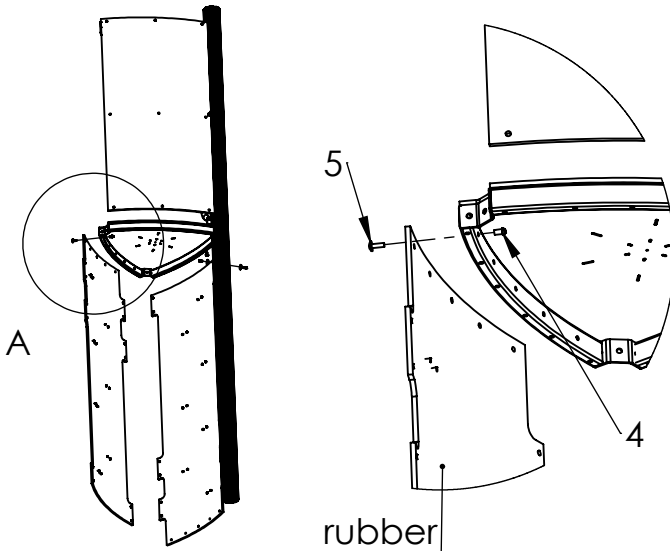


Tiptiptap OÜ
Veetorni 9,
Jüri alevik, Rae vald,
75301 Harjumaa

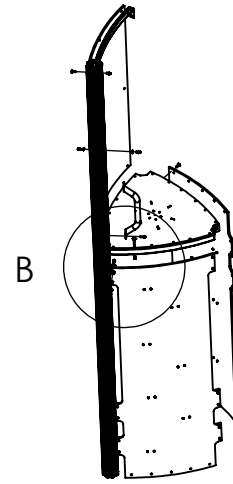
| | | |
|-----------|----------------------|----------------|
| MATERIAL: | wood, metal, plastic | A4 |
| WEIGHT: | SCALE: 1:6 | SHEET 15 OF 18 |

DETAIL A
SCALE 1 : 15

A

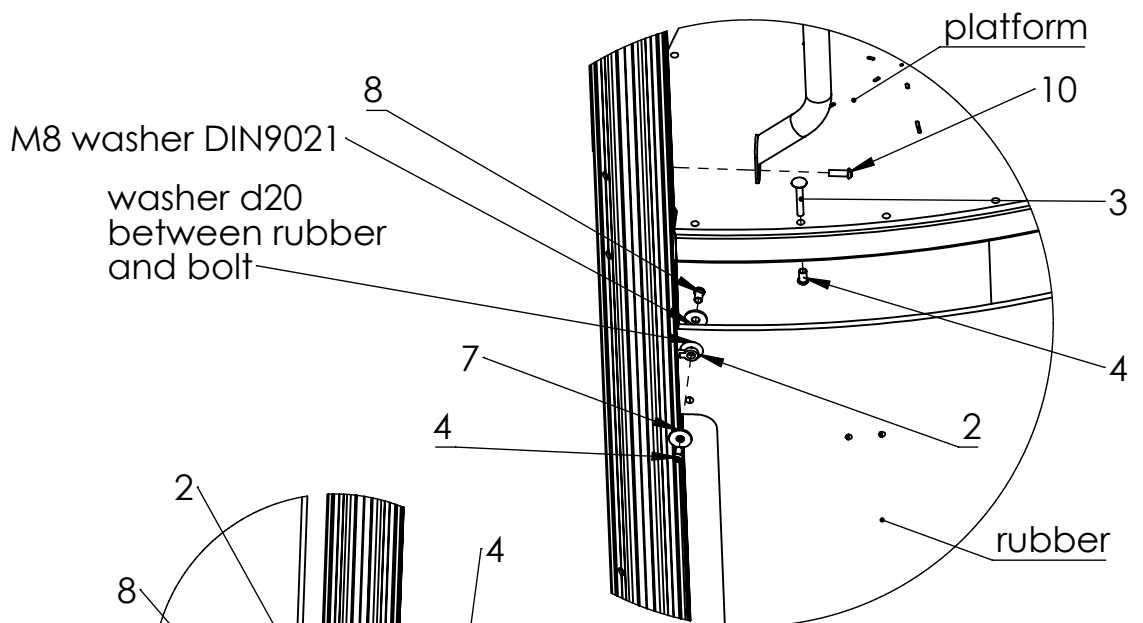


B

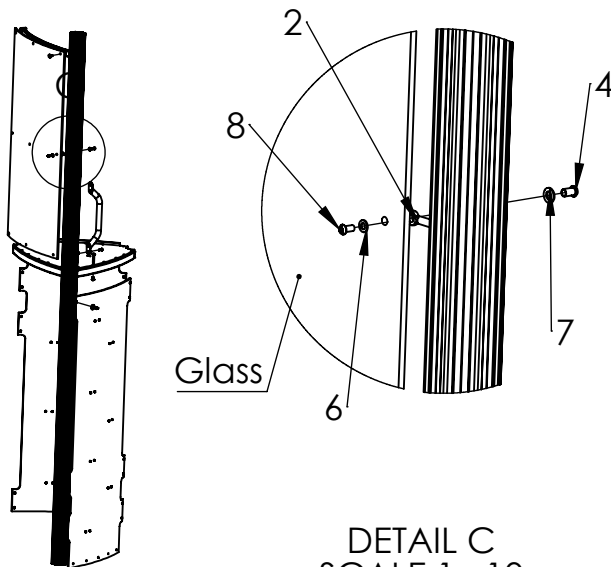


DETAIL B
SCALE 1 : 10

C



D



E

DETAIL C
SCALE 1 : 10

| ITEM NO. | PART NUMBER |
|----------|--------------------------------|
| 1 | pin torx nut M10x20 |
| 2 | M10x35 DIN444 |
| 3 | bolt DIN603 M8x55 |
| 4 | pin torx nut M8x16 DIN7380 |
| 5 | bolt DIN603 M8x25 |
| 6 | washer M8 DIN125 |
| 7 | washer M10 DIN125 |
| 8 | pin torx bolt M8x16 DIN7380 |

UNLESS OTHERWISE SPECIFIED:
DIMENSIONS ARE IN MILLIMETERS
WEIGHT ARE IN KILOGRAMM

PART NUMBER / DWG NO.:

OCT106

| | NAME | SIGNATURE | DATE | REVISION |
|--------|--------|-----------|------------|----------|
| DRAWN | I.Agar | | 09.11.2020 | |
| APPV'D | | | | |

DESCRIPTION:

Climbing complex

F



Tiptiptap OÜ

Tiptiptap OÜ
Veetorni 9,
Jüri alevik, Rae vald,
75301 Harjumaa

MATERIAL:

wood, metal, plastic

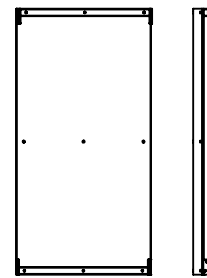
A4

WEIGHT:

SCALE: 1:50

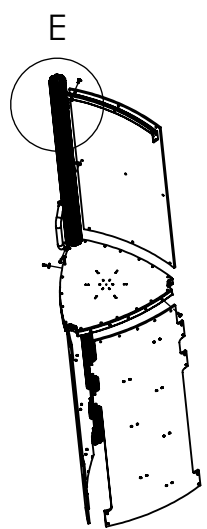
SHEET 16 OF 18

Metal beams for glass



Soles down

Soles up



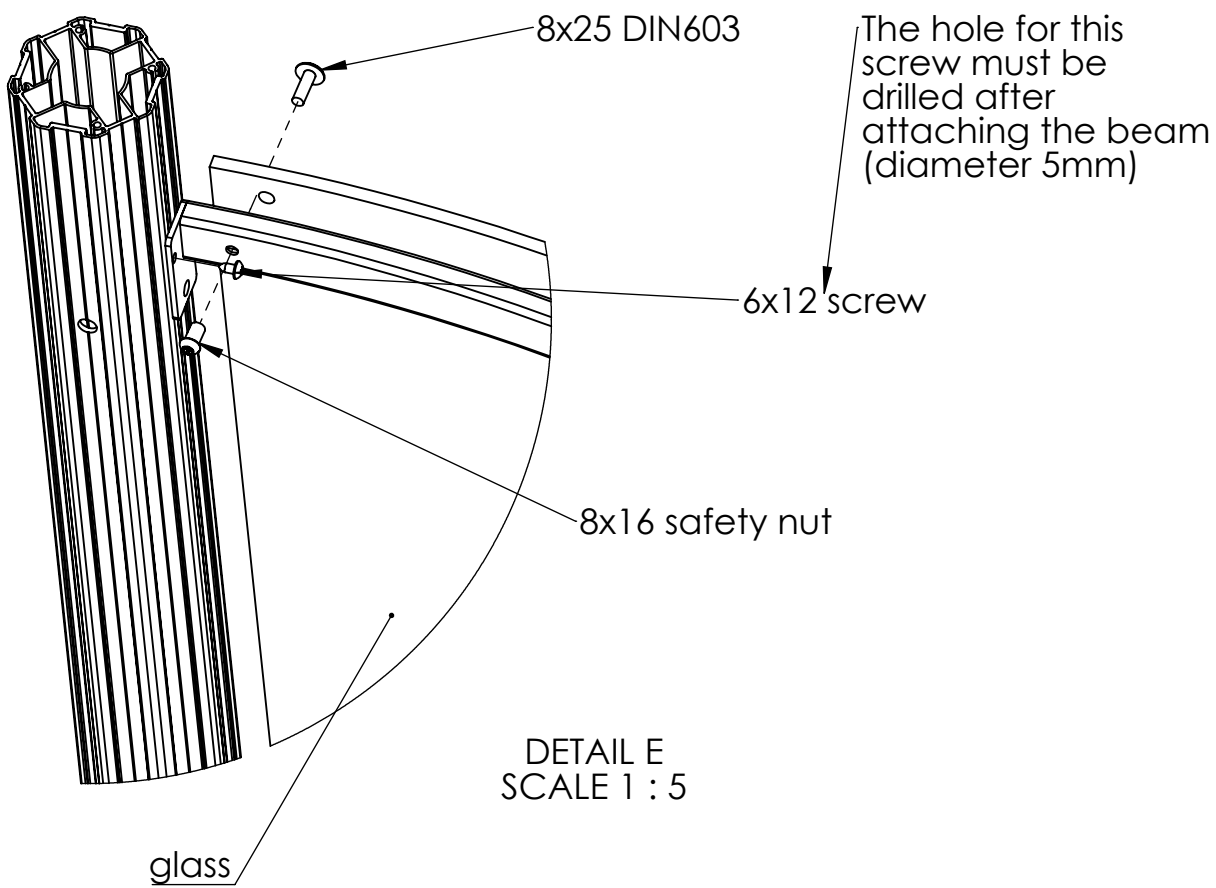
A

B

C

D

E



UNLESS OTHERWISE SPECIFIED:
DIMENSIONS ARE IN MILLIMETERS
WEIGHT ARE IN KILOGRAMM

PART NUMBER / DWG NO.: **OCT106**

| | NAME | SIGNATURE | DATE | REVISION |
|--------|--------|-----------|------------|----------|
| DRAWN | I.Agar | | 09.11.2020 | |
| APPV'D | | | | |

DESCRIPTION: **Climbing complex**



Tiptiptap OÜ
Veetorni 9,
Jüri alevik, Rae vald,
75301 Harjumaa

| | | |
|-----------|----------------------|----------------|
| MATERIAL: | wood, metal, plastic | A4 |
| WEIGHT: | | SCALE: 1:50 |
| | | SHEET 17 OF 18 |

A

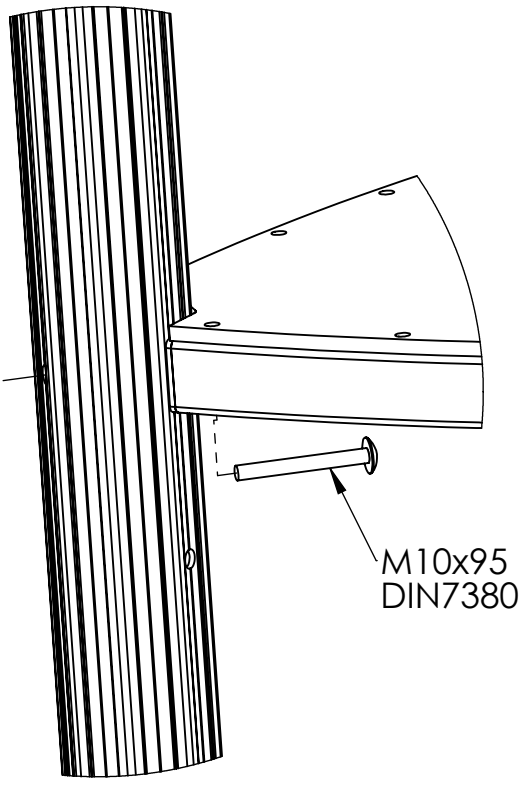
B

C

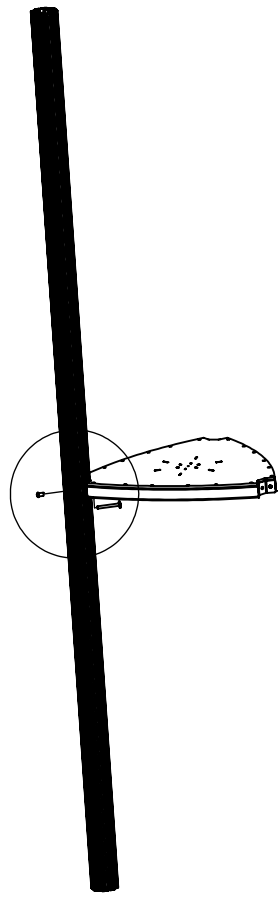
D

E

F



DETAIL A
SCALE 1 : 5



| | | | | |
|---|--------|-----------|------------|----------|
| UNLESS OTHERWISE SPECIFIED: DIMENSIONS ARE IN MILLIMETERS WEIGHT ARE IN KILOGRAMM | | | | |
| | NAME | SIGNATURE | DATE | REVISION |
| DRAWN | I.Agar | | 09.11.2020 | |
| APPV'D | | | | |

PART NUMBER / DWG NO.: **OCT106**

DESCRIPTION: **Climbing complex**



Tiptiptap OÜ
Veetorni 9,
Jüri alevik, Rae vald,
75301 Harjumaa

| | | |
|-----------|----------------------|----------------|
| MATERIAL: | wood, metal, plastic | A4 |
| WEIGHT: | SCALE: 1:30 | SHEET 18 OF 18 |