

A

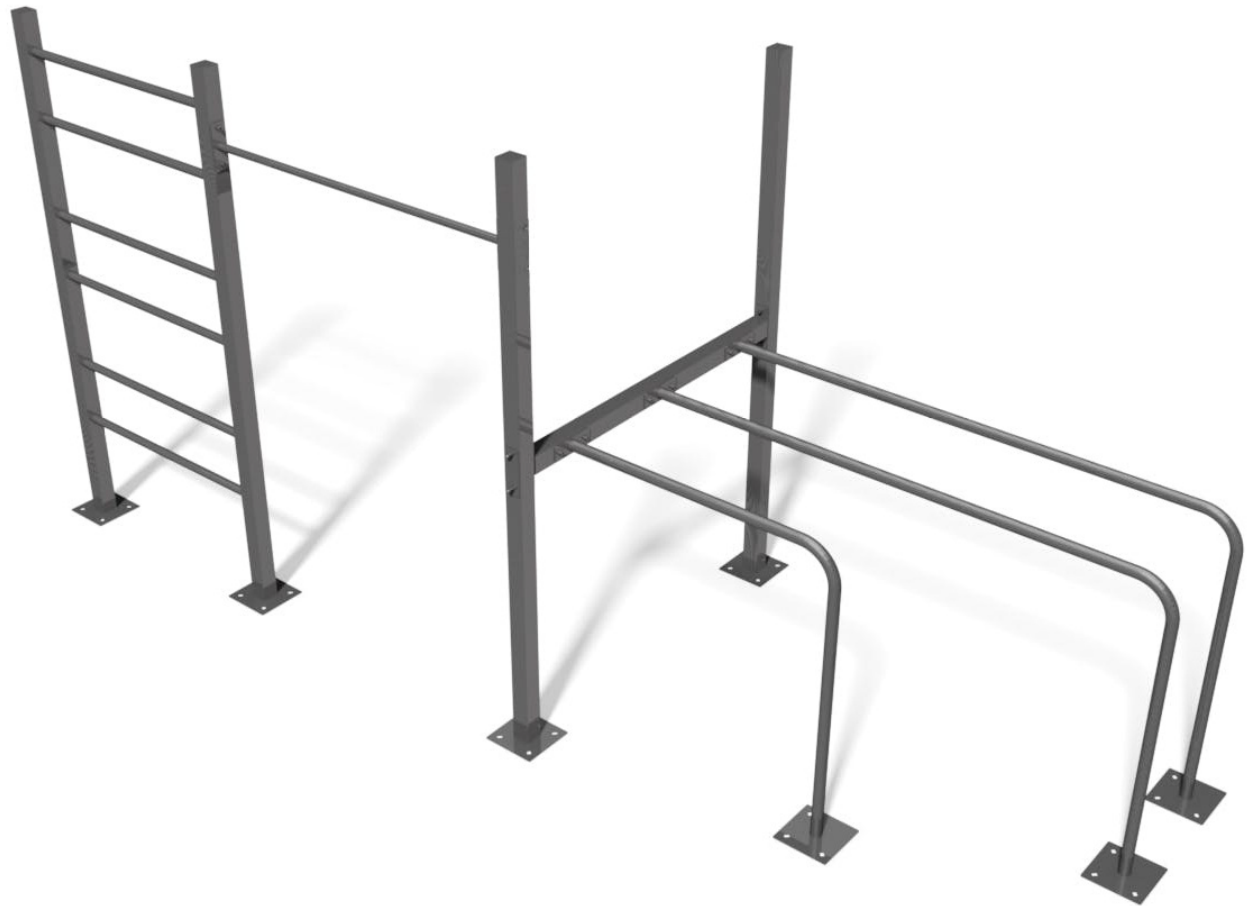
B

C

D

E

F



UNLESS OTHERWISE SPECIFIED:
 DIMENSIONS ARE IN MILLIMETERS
 WEIGHT ARE IN KILOGRAMM

PART NUMBER / DWG NO.: **WOS1**

	NAME	SIGNATURE	DATE	REVISION
DRAWN				
APPV'D				

DESCRIPTION: **BOSTON SET**

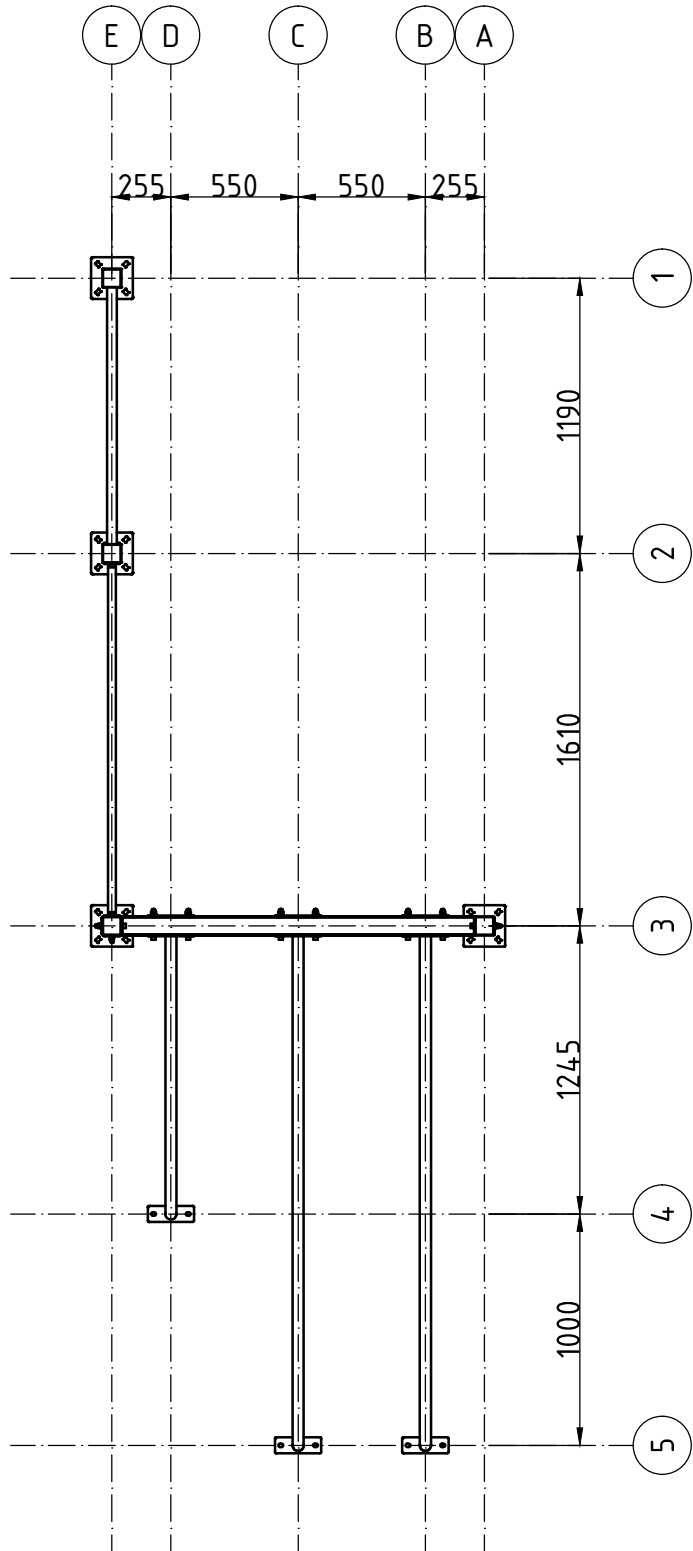


Tiptaptap OÜ
 Veetorni 9,
 Jüri alevik, Rae vald,
 75301 Harjumaa

MATERIAL: stainless steel	A4
WEIGHT:	SCALE: 1:1
	SHEET 1 OF 9

A

TOP VIEW



B

C

D

E

UNLESS OTHERWISE SPECIFIED:
 DIMENSIONS ARE IN MILLIMETERS
 WEIGHT ARE IN KILOGRAMM

PART NUMBER / DWG NO.: **WOS1**

	NAME	SIGNATURE	DATE	REVISION
DRAWN				
APPV'D				

DESCRIPTION: **BOSTON SET**

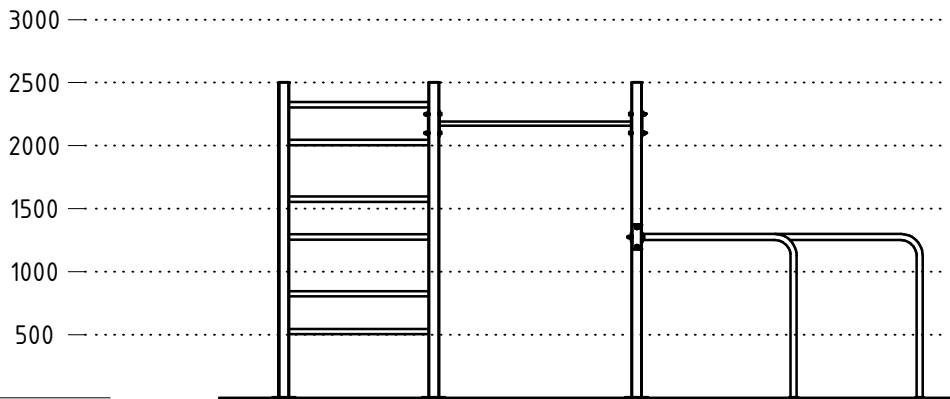


Tiptiptap OÜ
 Veetorni 9,
 Jüri alevik, Rae vald,
 75301 Harjumaa

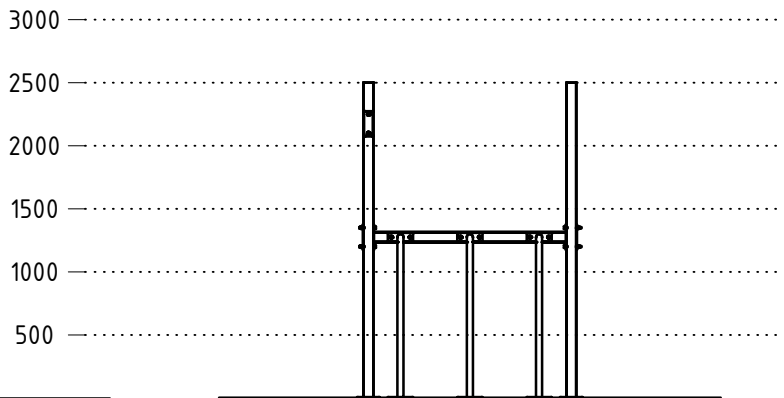
MATERIAL:	stainless steel	A4
WEIGHT:	SCALE: 1:1	SHEET 2 OF 9

A

SIDE VIEW



B



C

D

E

F

UNLESS OTHERWISE SPECIFIED:
 DIMENSIONS ARE IN MILLIMETERS
 WEIGHT ARE IN KILOGRAMM

PART NUMBER / DWG NO.:

WOS1

	NAME	SIGNATURE	DATE	REVISION
DRAWN				
APPV'D				

DESCRIPTION:

BOSTON SET



Tiptiptap OÜ

Tiptiptap OÜ
 Veetorni 9,
 Jüri alevik, Rae vald,
 75301 Harjumaa

MATERIAL:

stainless steel

A4

WEIGHT:

SCALE: 1:1

SHEET 3 OF 9

A

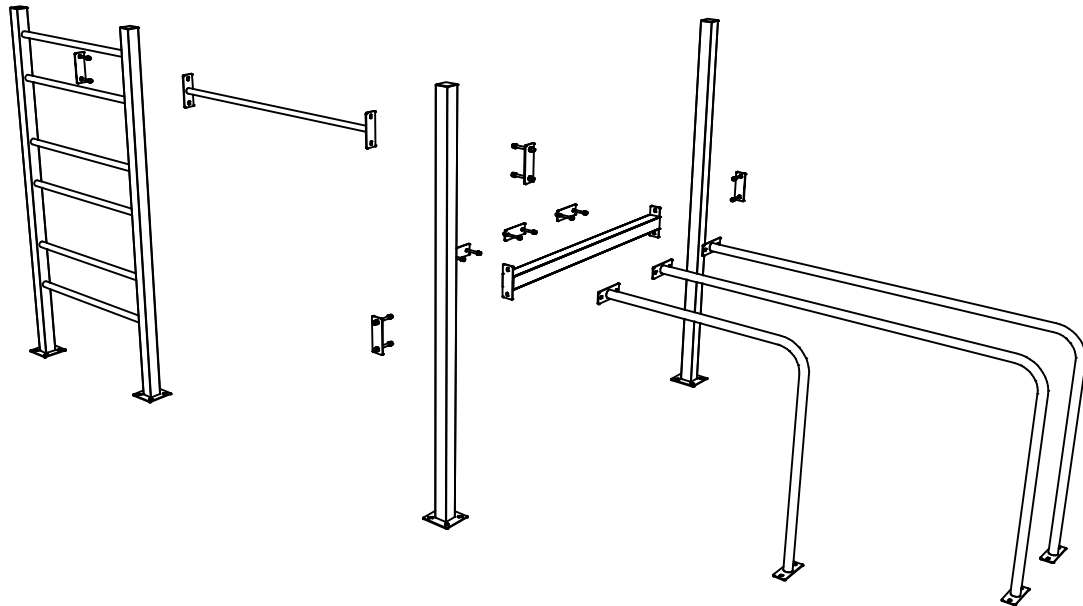
ASSEMBLING PLAN

B

C

D

E



F

UNLESS OTHERWISE SPECIFIED:
 DIMENSIONS ARE IN MILLIMETERS
 WEIGHT ARE IN KILOGRAMM

PART NUMBER / DWG NO.:

WOS1

	NAME	SIGNATURE	DATE	REVISION
DRAWN				
APPV'D				

DESCRIPTION:

BOSTON SET



Tiptaptap OÜ

Tiptaptap OÜ
 Veetorni 9,
 Jüri alevik, Rae vald,
 75301 Harjumaa

MATERIAL:

stainless steel

A4

WEIGHT:

SCALE: 1:1

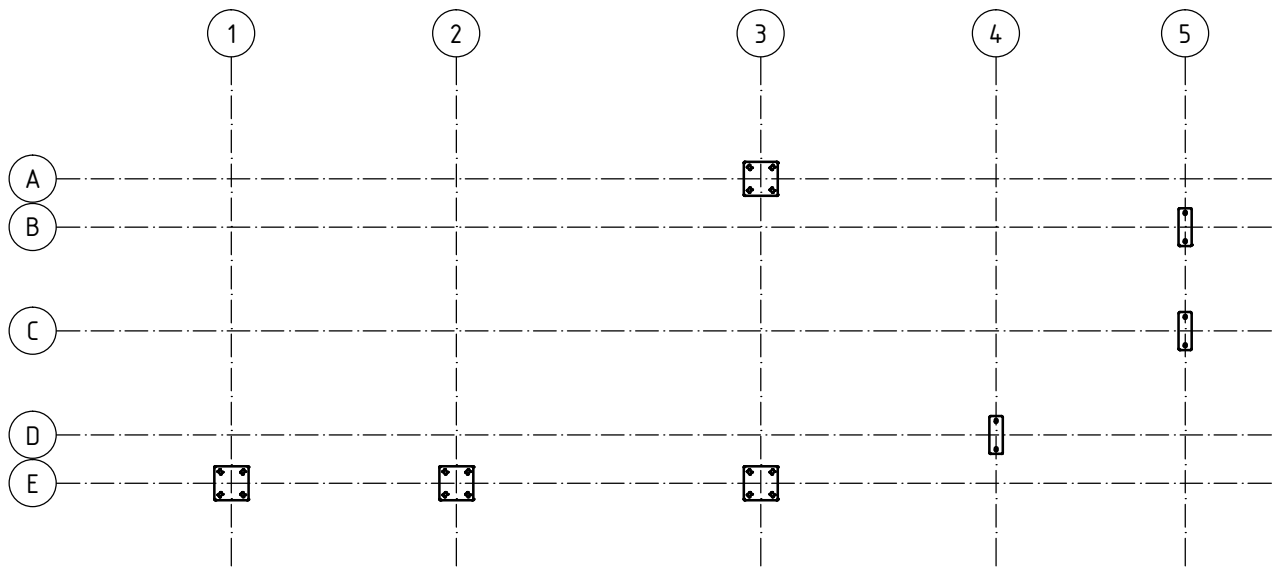
SHEET 4 OF 9

A

ANCHORING PLAN

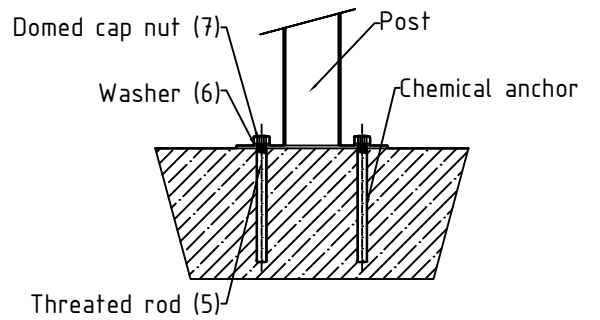
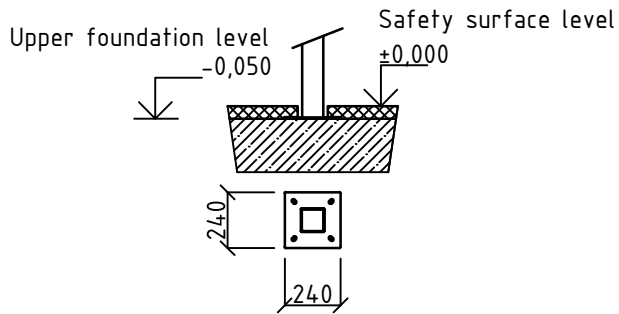
B

C



Ground connection

D



E

UNLESS OTHERWISE SPECIFIED:
DIMENSIONS ARE IN MILLIMETERS
WEIGHT ARE IN KILOGRAMM

PART NUMBER / DWG NO.:

WOS1

	NAME	SIGNATURE	DATE	REVISION
DRAWN				
APPV'D				

DESCRIPTION:

BOSTON SET

F



Tiptiptap OÜ

Tiptiptap OÜ
Veetorni 9,
Jüri alevik, Rae vald,
75301 Harjumaa

MATERIAL:

stainless steel

A4

WEIGHT:

SCALE: 1:1

SHEET 5 OF 9

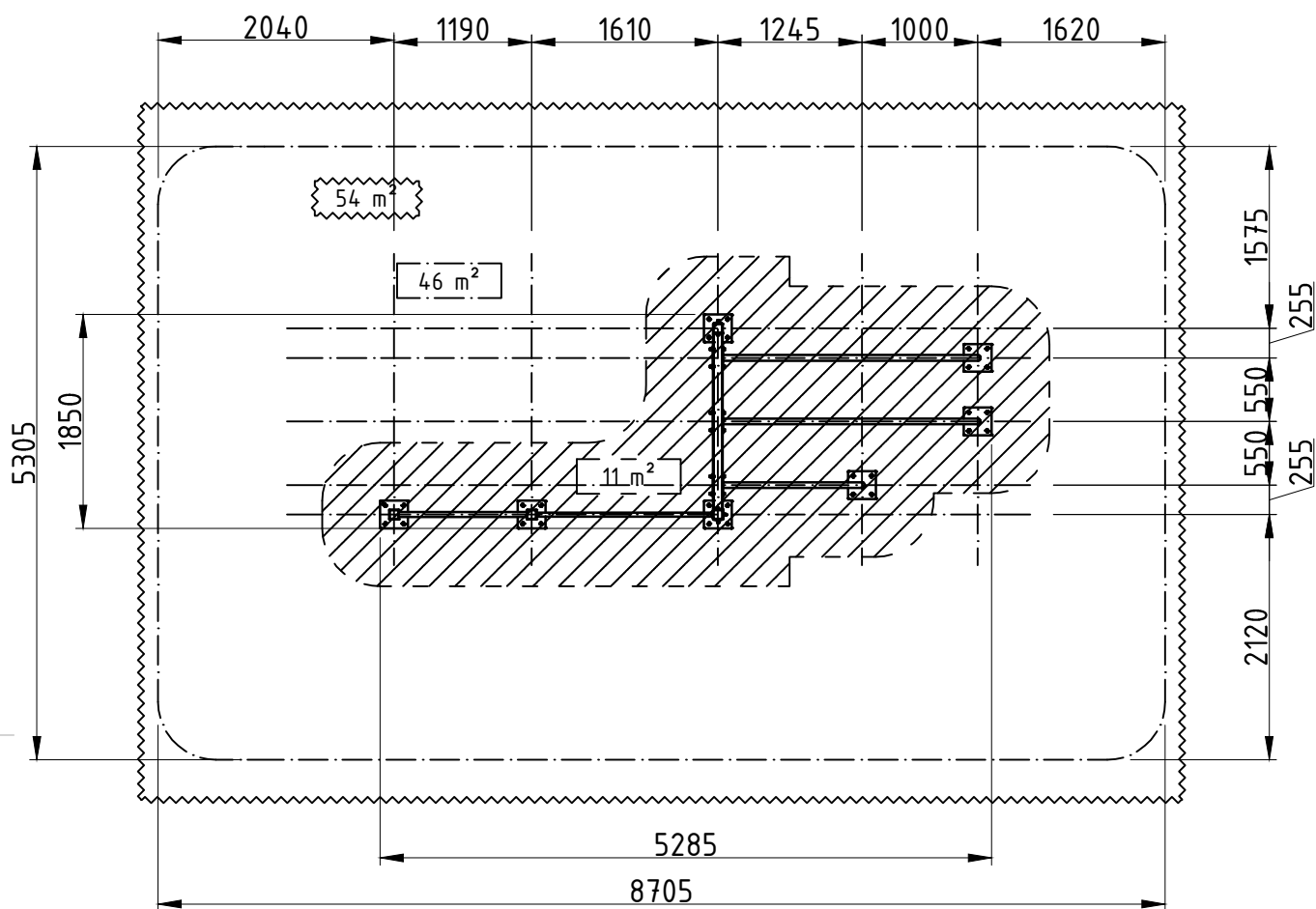
A

SAFETY AREAS

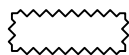
B

C

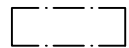
D



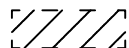
Lines legend



Rubber safety area.



Other safety area (pebbles, woodchips, etc.).



Area for practice.

E

F

UNLESS OTHERWISE SPECIFIED:
DIMENSIONS ARE IN MILLIMETERS
WEIGHT ARE IN KILOGRAMM

PART NUMBER / DWG NO.:

WOS1

	NAME	SIGNATURE	DATE	REVISION
DRAWN				
APPV'D				

DESCRIPTION:

BOSTON SET

MATERIAL:

stainless steel

A4

WEIGHT:

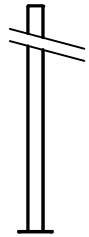


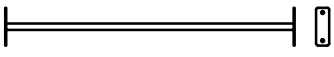
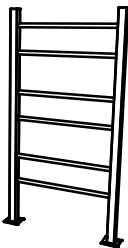
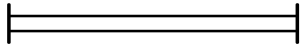
SCALE: 1:1

SHEET 6 OF 9



Tiptiptap OÜ

Tiptiptap OÜ
Veetorni 9,
Jüri alevik, Rae vald,
75301 Harjumaa

	1	2	3	4	
	Name	Code	Dimensions	Scheme	
A	Post	XS01B	2503 180 180		2
B	Parallel bar	XS04P-A-S	1229 1310 200		1
C	Parallel bar	XS04P-A-D	2229 1310 200		2
	Horizontal bar	XS05P	1530 200 70		1
D	Monkey bar	XS10P	1290 200 3003		1
	Girder	XS11P-B3	1530 200 80		1

E

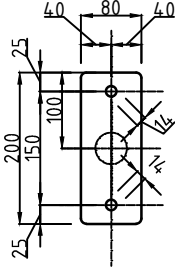
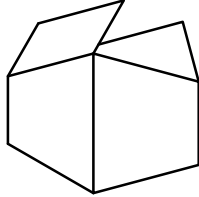
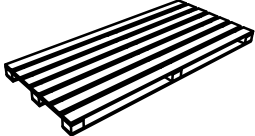
UNLESS OTHERWISE SPECIFIED: DIMENSIONS ARE IN MILLIMETERS WEIGHT ARE IN KILOGRAMM				
	NAME	SIGNATURE	DATE	REVISION
DRAWN				
APPV'D				

PART NUMBER / DWG NO.:	WOS1
DESCRIPTION:	BOSTON SET




Tiptaptap OÜ
Veetorni 9,
Jüri alevik, Rae vald,
75301 Harjumaa

MATERIAL:	stainless steel	A4
WEIGHT:	SCALE: 1:1	SHEET 7 OF 9

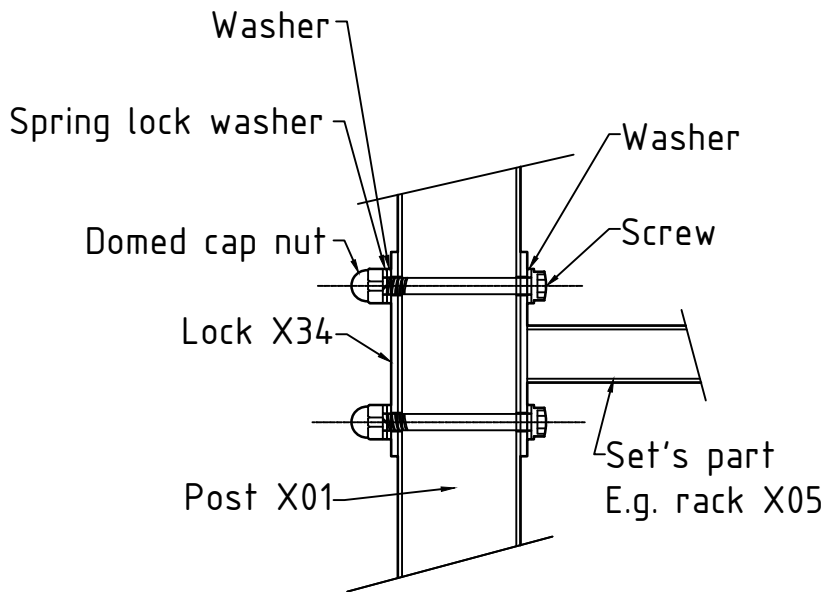
	1	2	3	4
A	Name	Code	Dimensions	Scheme
B	Washer	XS34P	200 80 5	
C	Fasteners		220 160 100	
D	Pack	W0-101-P	3010 1350 600	

E	
---	--

F	UNLESS OTHERWISE SPECIFIED: DIMENSIONS ARE IN MILLIMETERS WEIGHT ARE IN KILOGRAMM	PART NUMBER / DWG NO.: <p style="text-align: center;">WOS1</p>															
	<table border="1"> <thead> <tr> <th data-bbox="132 2049 193 2085"></th> <th data-bbox="193 2049 336 2085">NAME</th> <th data-bbox="336 2049 469 2085">SIGNATURE</th> <th data-bbox="469 2049 620 2085">DATE</th> <th data-bbox="620 2049 831 2085">REVISION</th> </tr> </thead> <tbody> <tr> <td data-bbox="132 2085 193 2121">DRAWN</td> <td></td> <td></td> <td></td> <td></td> </tr> <tr> <td data-bbox="132 2121 193 2157">APPV'D</td> <td></td> <td></td> <td></td> <td></td> </tr> </tbody> </table>		NAME	SIGNATURE	DATE	REVISION	DRAWN					APPV'D					DESCRIPTION: <p style="text-align: center;">BOSTON SET</p>
	NAME	SIGNATURE	DATE	REVISION													
DRAWN																	
APPV'D																	
	 <p>Tiptaptap OÜ Veetorni 9, Jüri alevik, Rae vald, 75301 Harjumaa</p>	<table border="1"> <tr> <td data-bbox="831 2199 1220 2235">MATERIAL:</td> <td data-bbox="1220 2199 1428 2235">stainless steel</td> <td data-bbox="1428 2199 1556 2235">A4</td> </tr> <tr> <td data-bbox="831 2235 1220 2240">WEIGHT:</td> <td data-bbox="1220 2235 1428 2240">SCALE: 1:1</td> <td data-bbox="1428 2235 1556 2240">SHEET 8 OF 9</td> </tr> </table>	MATERIAL:	stainless steel	A4	WEIGHT:	SCALE: 1:1	SHEET 8 OF 9									
MATERIAL:	stainless steel	A4															
WEIGHT:	SCALE: 1:1	SHEET 8 OF 9															

A

Connection with post



B

C

D

E

F

UNLESS OTHERWISE SPECIFIED:
DIMENSIONS ARE IN MILLIMETERS
WEIGHT ARE IN KILOGRAMM

PART NUMBER / DWG NO.:

WOS1

	NAME	SIGNATURE	DATE	REVISION
DRAWN				
APPV'D				

DESCRIPTION:

BOSTON SET



Tiptaptap OÜ

Tiptaptap OÜ
Veetorni 9,
Jüri alevik, Rae vald,
75301 Harjumaa

MATERIAL:

stainless steel

A4

WEIGHT:

SCALE: 1:1

SHEET 9 OF 9